



US00D356215S

# United States Patent [19]

[11] Patent Number: **Des. 356,215**

Newman

[45] Date of Patent: **\*\* Mar. 14, 1995**

[54] **PORCH SWING**

[76] Inventor: **Robert D. Newman**, 800 Park Dr., #A4, Cookeville, Tenn. 38501

[\*\*] Term: **14 Years**

[21] Appl. No.: **16,426**

[22] Filed: **Dec. 15, 1993**

[52] U.S. Cl. .... **D6/347; D6/344**

[58] Field of Search ..... **D6/334, 347, 356; 297/160, 192, 273, 276, 277, 280, 281**

2,398,384	4/1946	Meyers	.....	297/280	X
4,351,524	9/1982	Gomes	.....	272/85	
4,482,186	11/1984	Gomes	.....	297/192	X
4,838,609	6/1989	Christensen	.....	297/277	
4,917,378	4/1990	Girecky et al.	.....	272/85	

### FOREIGN PATENT DOCUMENTS

1252354	12/1960	France	.....	297/273	
885881	12/1961	United Kingdom	.....	297/281	

*Primary Examiner*—Wallace R. Burke  
*Assistant Examiner*—Monica A. Hannon  
*Attorney, Agent, or Firm*—Luedeka, Neely & Graham

[56] **References Cited**

### U.S. PATENT DOCUMENTS

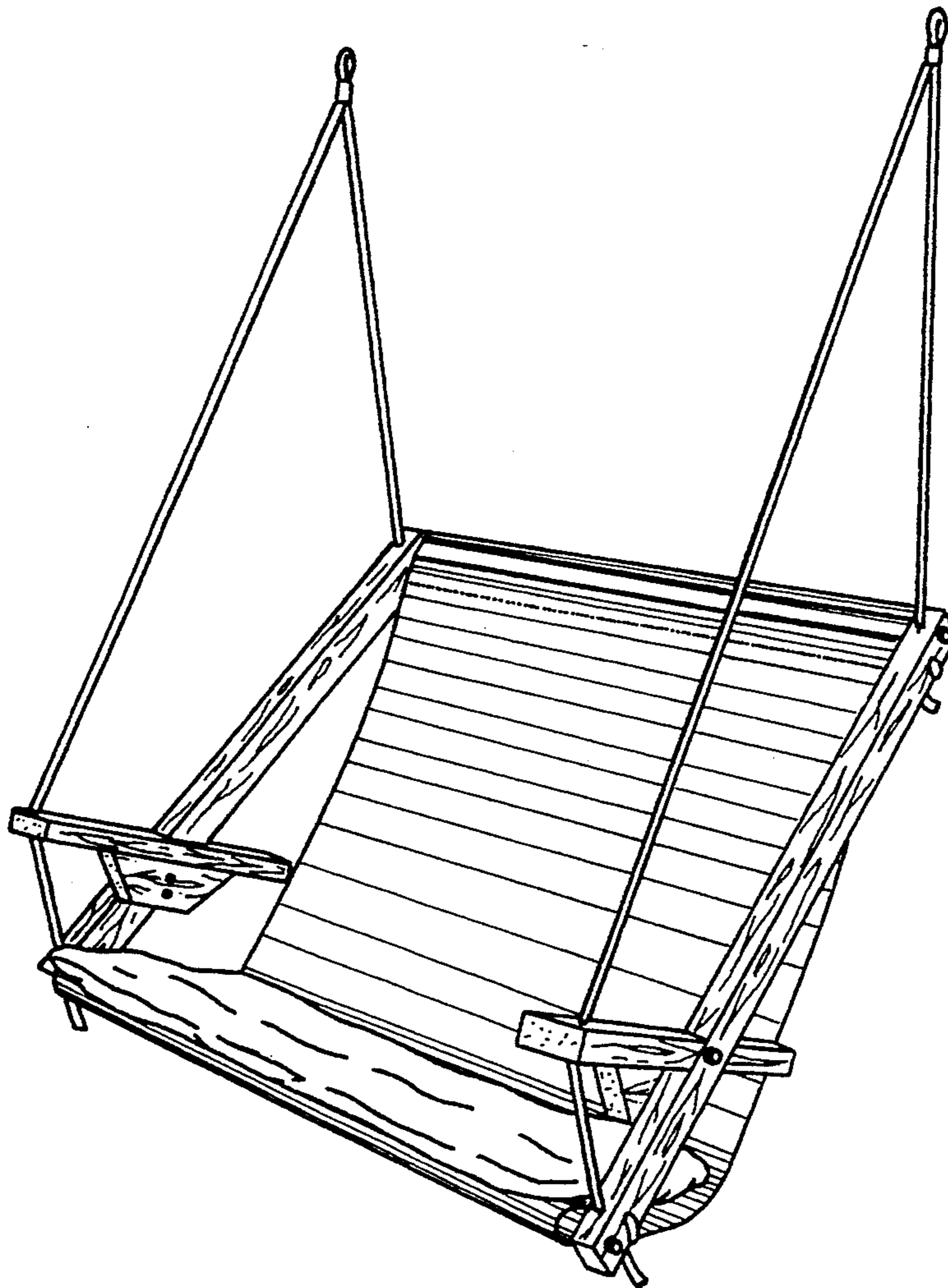
236,630	1/1881	Robinson	.	
D. 254,458	3/1980	Wakefield	.....	D6/53
D. 260,110	8/1981	Gomes	.....	D21/246
D. 313,513	1/1991	Girecky et al.	.....	D6/347
688,368	12/1901	Waddel	.	
695,225	3/1902	McKee	.	
979,236	12/1910	Williams	.	
1,266,744	5/1918	Worzalla	.	

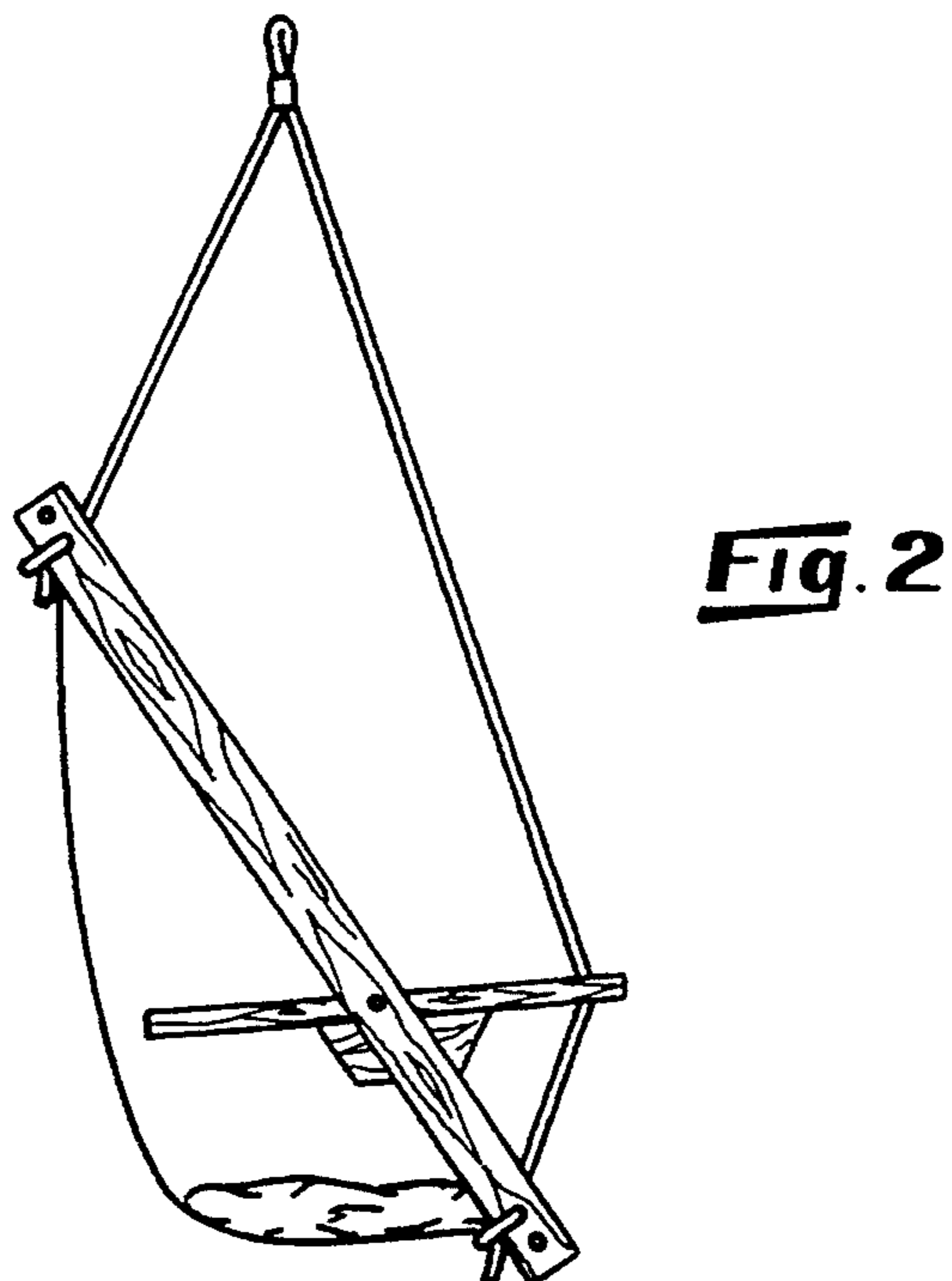
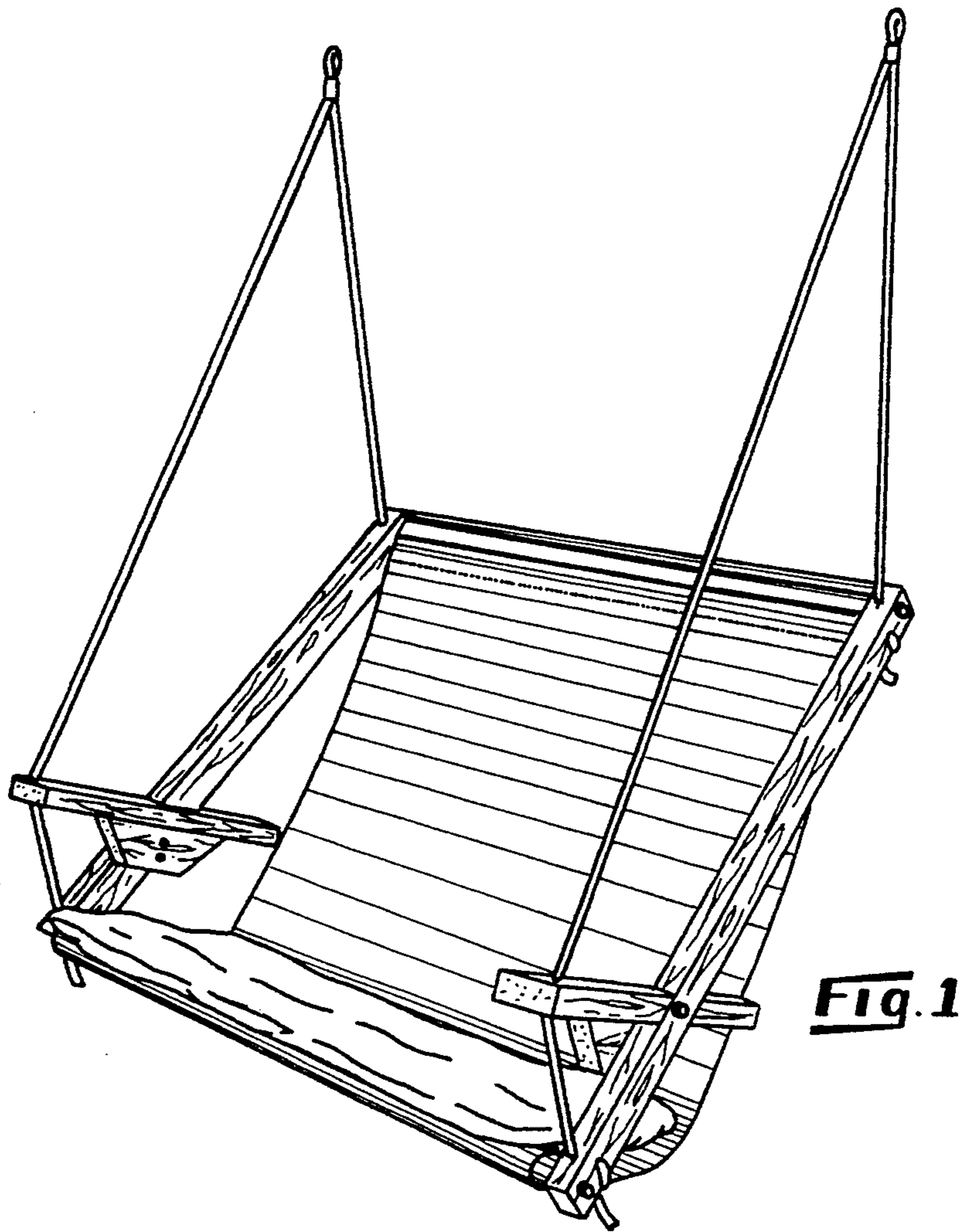
[57] **CLAIM**

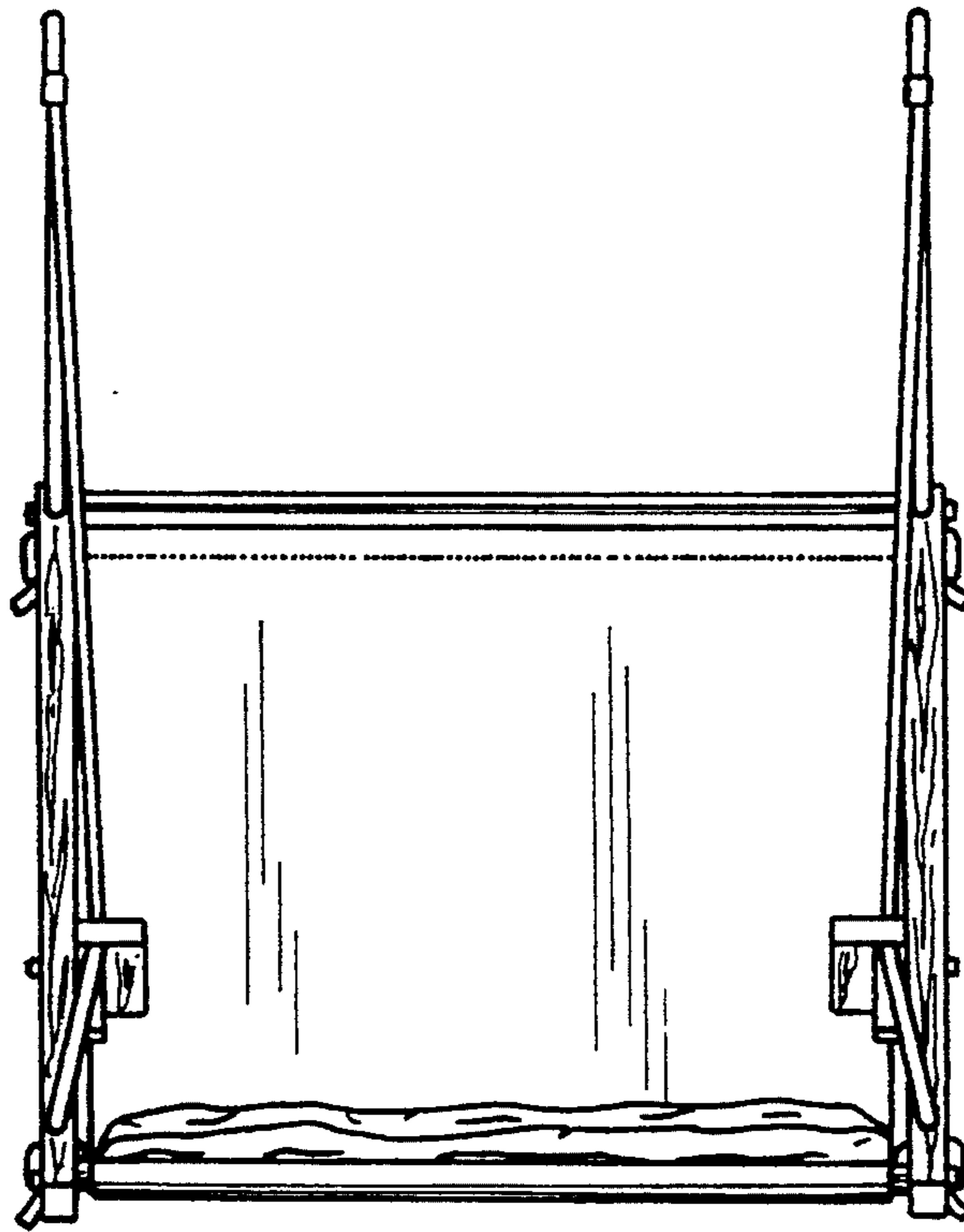
The ornamental design of a porch swing, as shown.

### DESCRIPTION

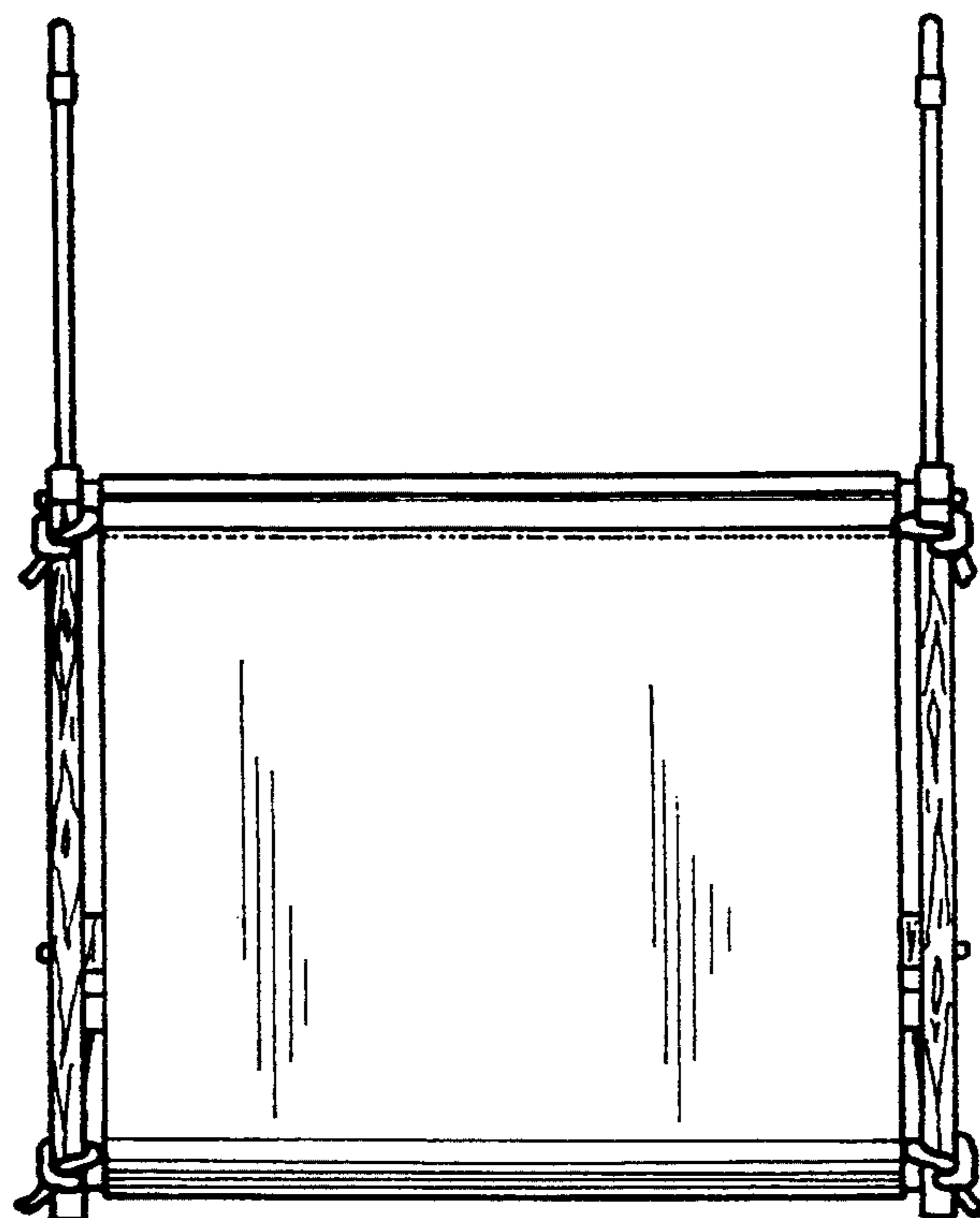
FIG. 1 is a front perspective view of the swing;  
FIG. 2 is a side view of the swing;  
FIG. 3 is a front view of the swing;  
FIG. 4 is a rear view of the swing;  
FIG. 5 is a top view of the swing; and,  
FIG. 6 is a bottom view of the swing.



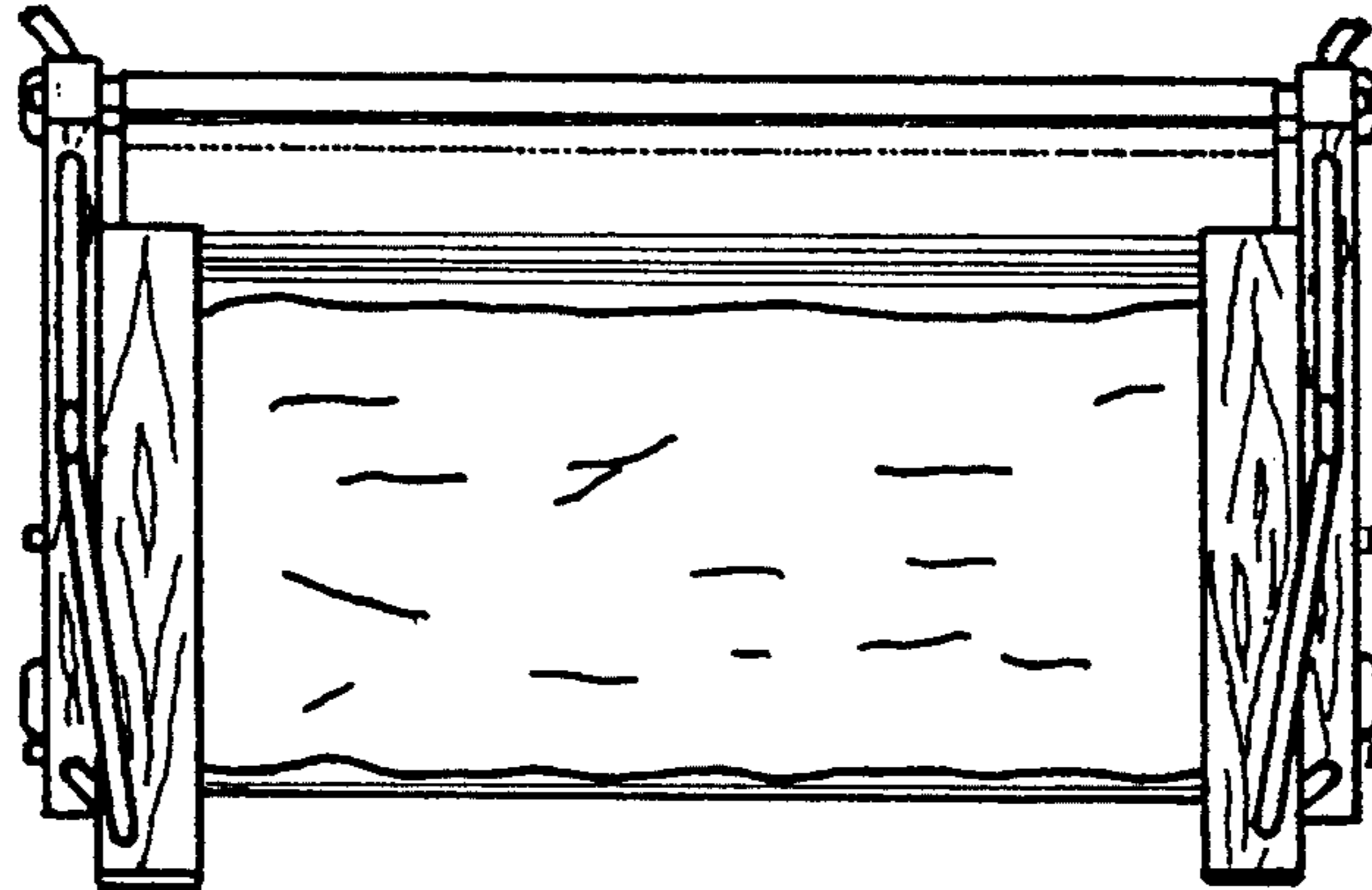




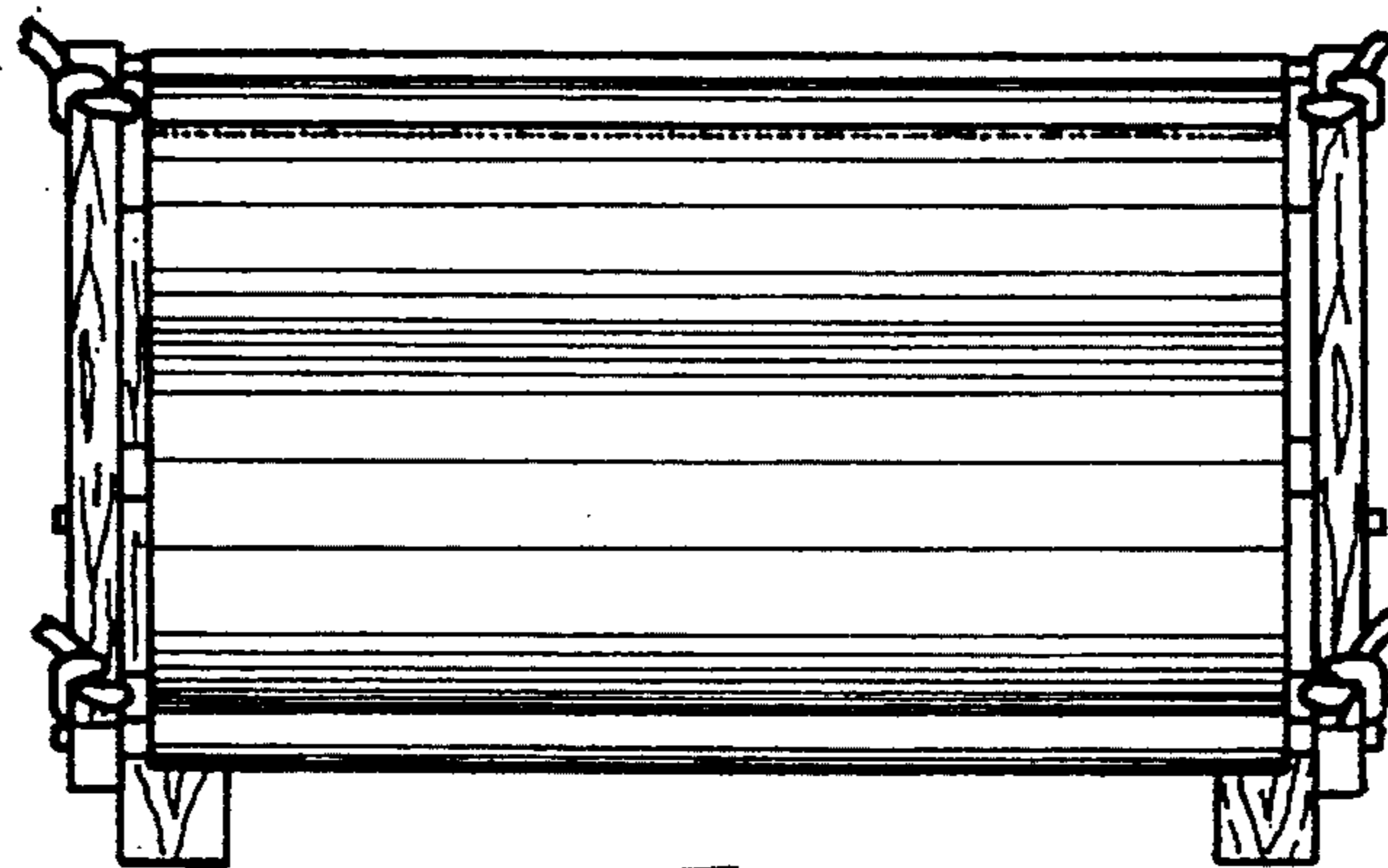
**Fig. 3**



**Fig. 4**



**Fig. 5**



**Fig. 6**