



US00D356214S

United States Patent [19]

[11] Patent Number: **Des. 356,214**

Lui

[45] Date of Patent: **** Mar. 14, 1995**

[54] **COMBINATION PICTURE HOLDER AND STAND**

4,717,109 1/1988 Johnston 248/449 X

[75] Inventor: **Sharon Lui**, Clearwater Bay, Hong Kong

Primary Examiner—Janice E. Seeger
Attorney, Agent, or Firm—Dykema Gossett

[73] Assignee: **Pam & Frank Industrial Co. Ltd.**, Kowloon, Hong Kong

[57] **CLAIM**

The ornamental design for the combination picture holder and stand, as shown and described.

[**] Term: **14 Years**

DESCRIPTION

[21] Appl. No.: **14,145**

FIG. 1 is a top front perspective view of the inventive combination picture holder and stand;

[22] Filed: **Oct. 13, 1993**

FIG. 2 is a top planar view of the inventive combination picture holder and stand;

[52] U.S. Cl. **D6/312; D6/300**

FIG. 3 is a left-side planar view of the inventive combination picture holder and stand;

[58] Field of Search **D6/300, 310-312, D6/419, 464, 338, 420; 248/441.1, 449, 464; D19/52**

FIG. 4 is a bottom planar view of the inventive combination picture holder and stand;

[56] **References Cited**

U.S. PATENT DOCUMENTS

- D. 213,376 2/1969 Hermalin D6/312
- D. 219,459 12/1970 Rieker D6/420
- 4,558,522 12/1985 Lance 248/449 X

FIG. 5 is a rear planar view of the inventive combination picture holder and stand;

FIG. 6 is a front planar view of the inventive combination picture holder and stand; and,

FIG. 7 is a right-side view of the inventive combination picture holder and stand.

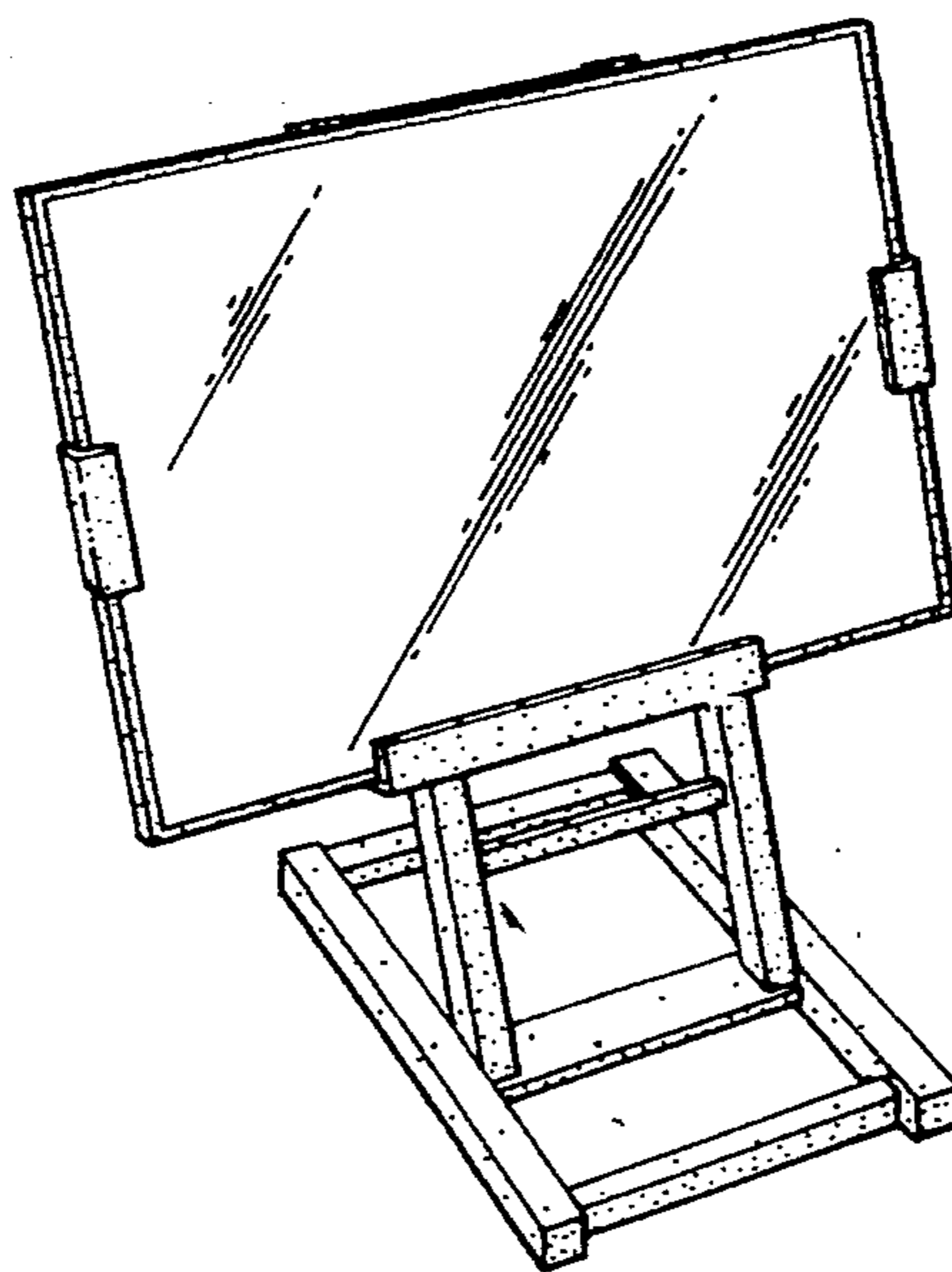


FIG 1

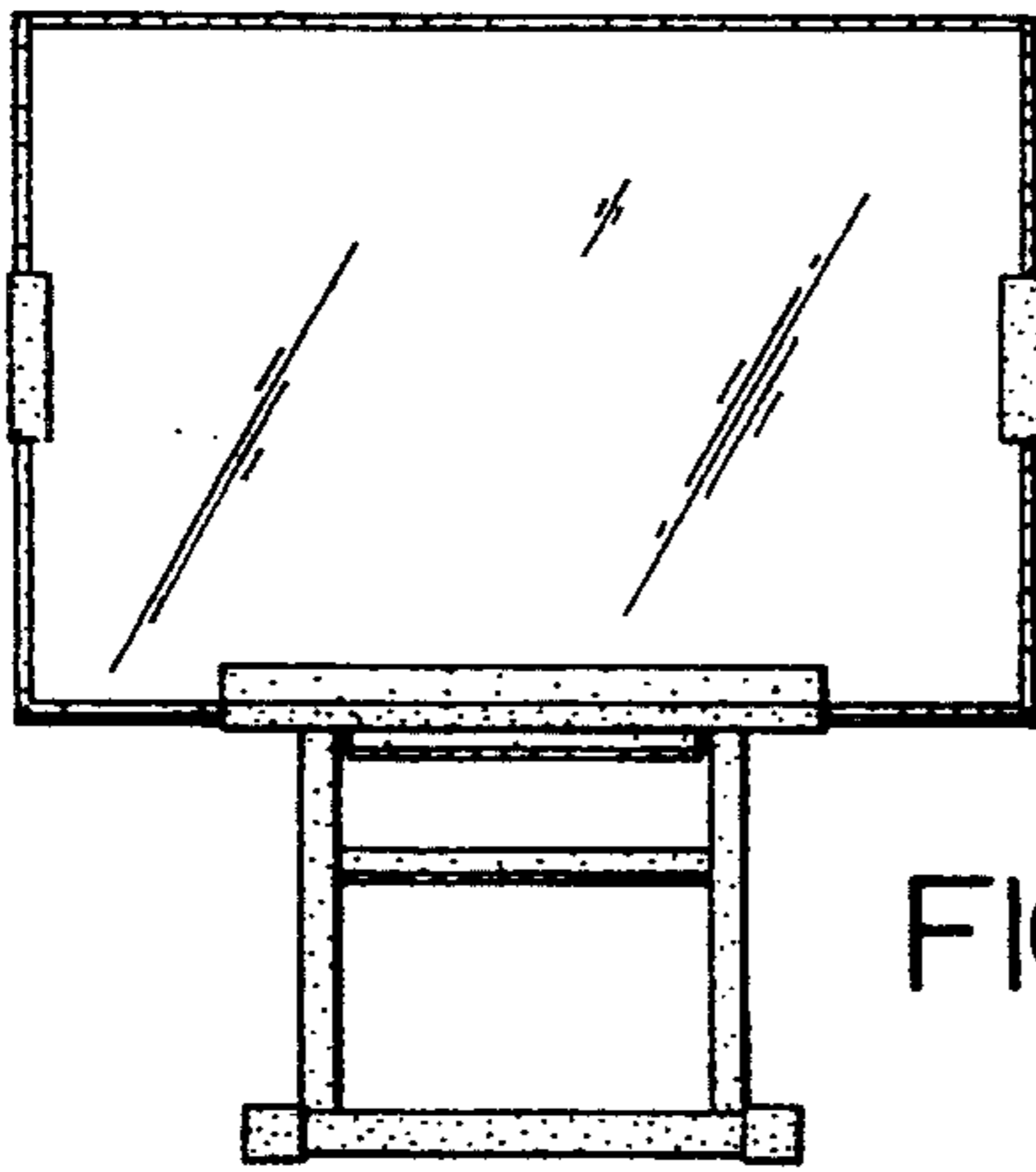
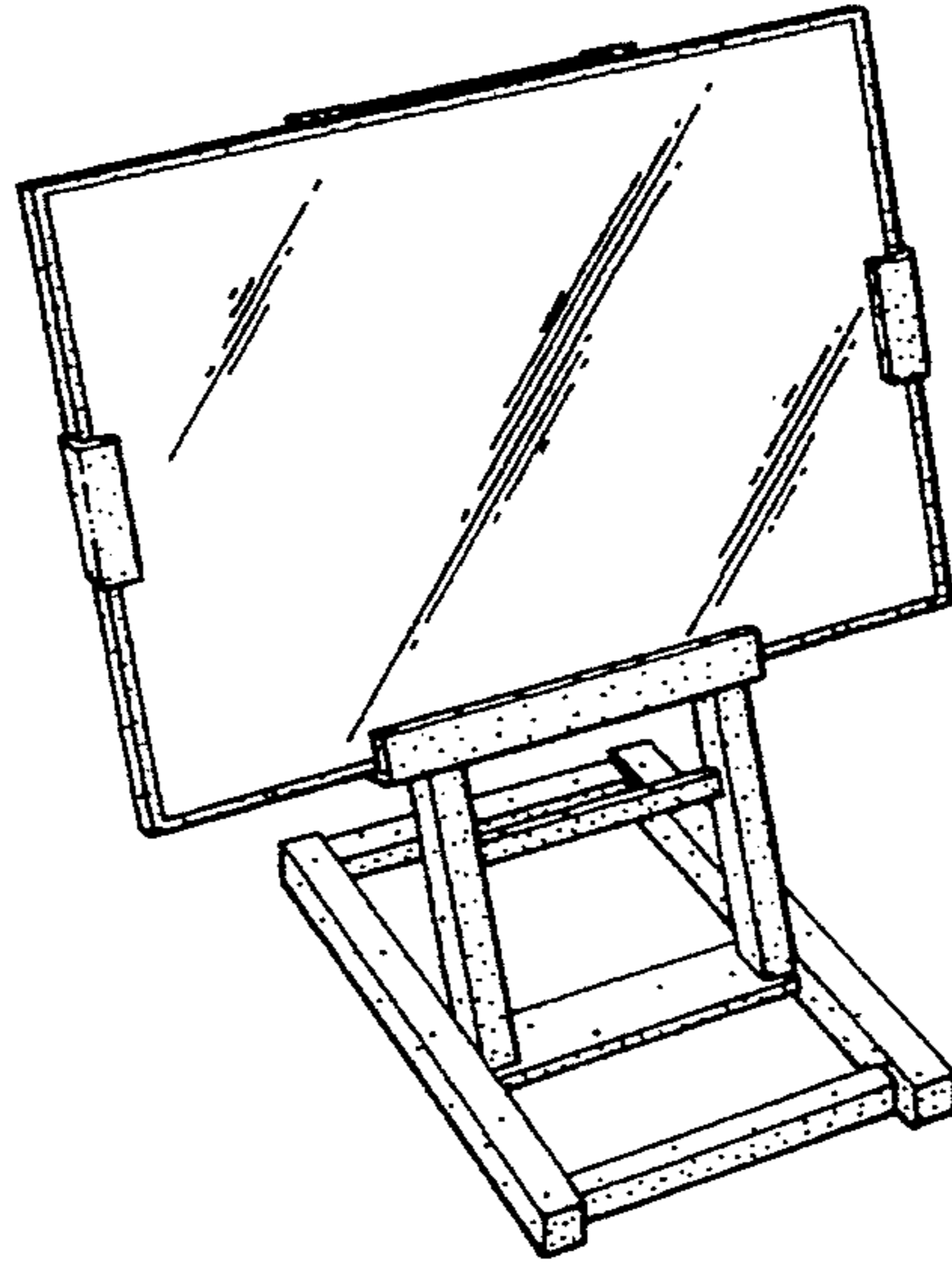


FIG 6

FIG 3

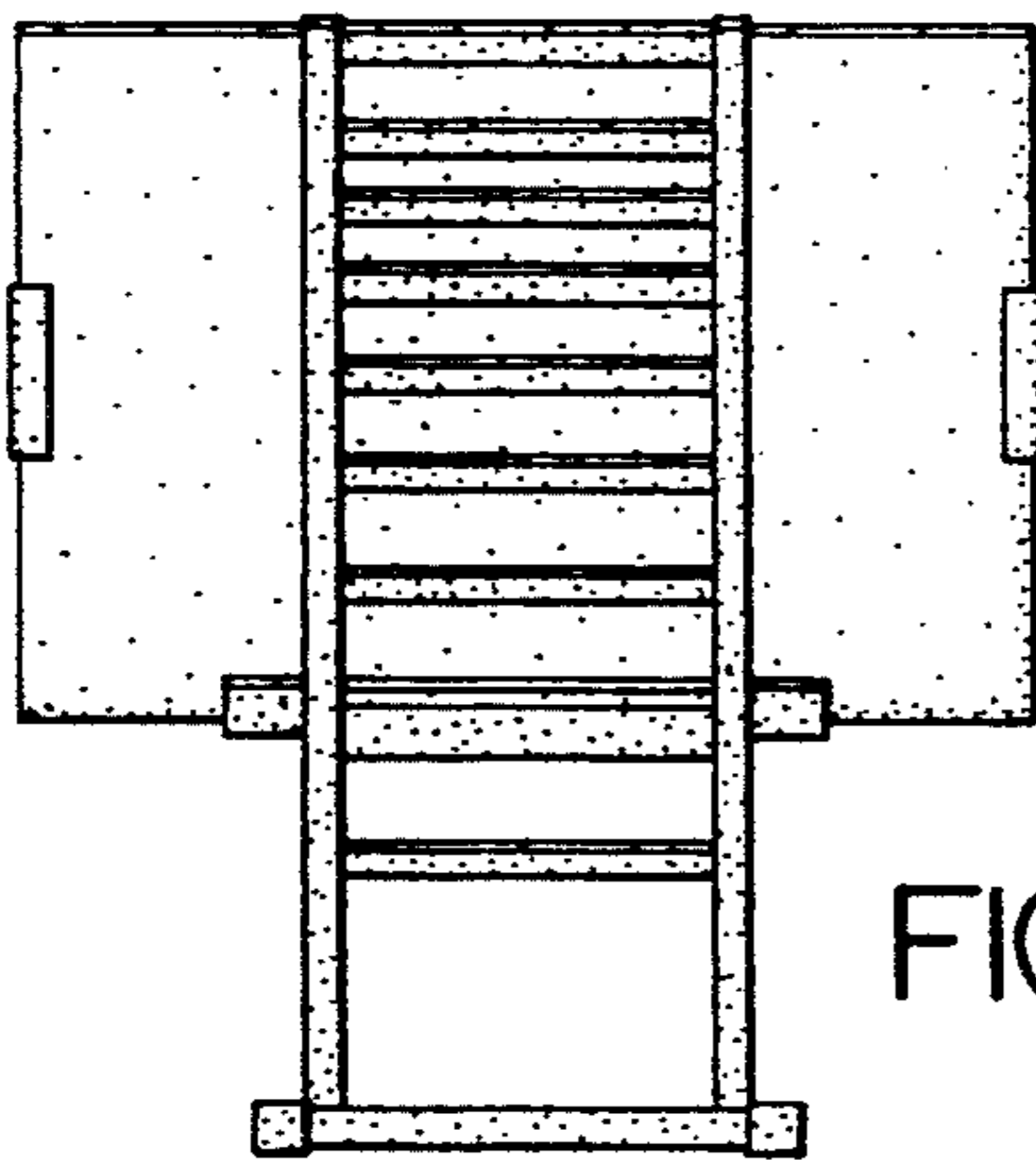
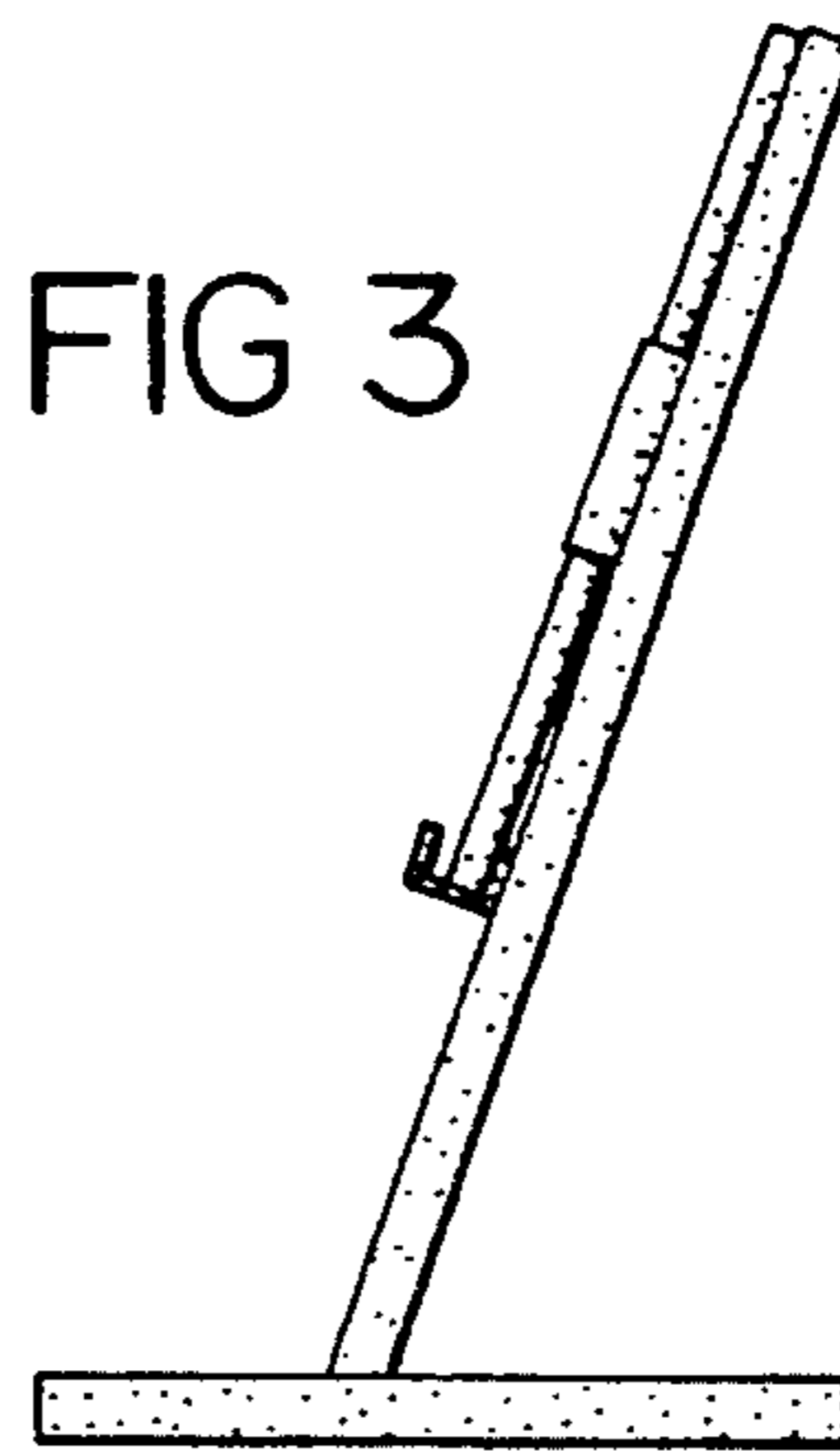


FIG 5

FIG 7

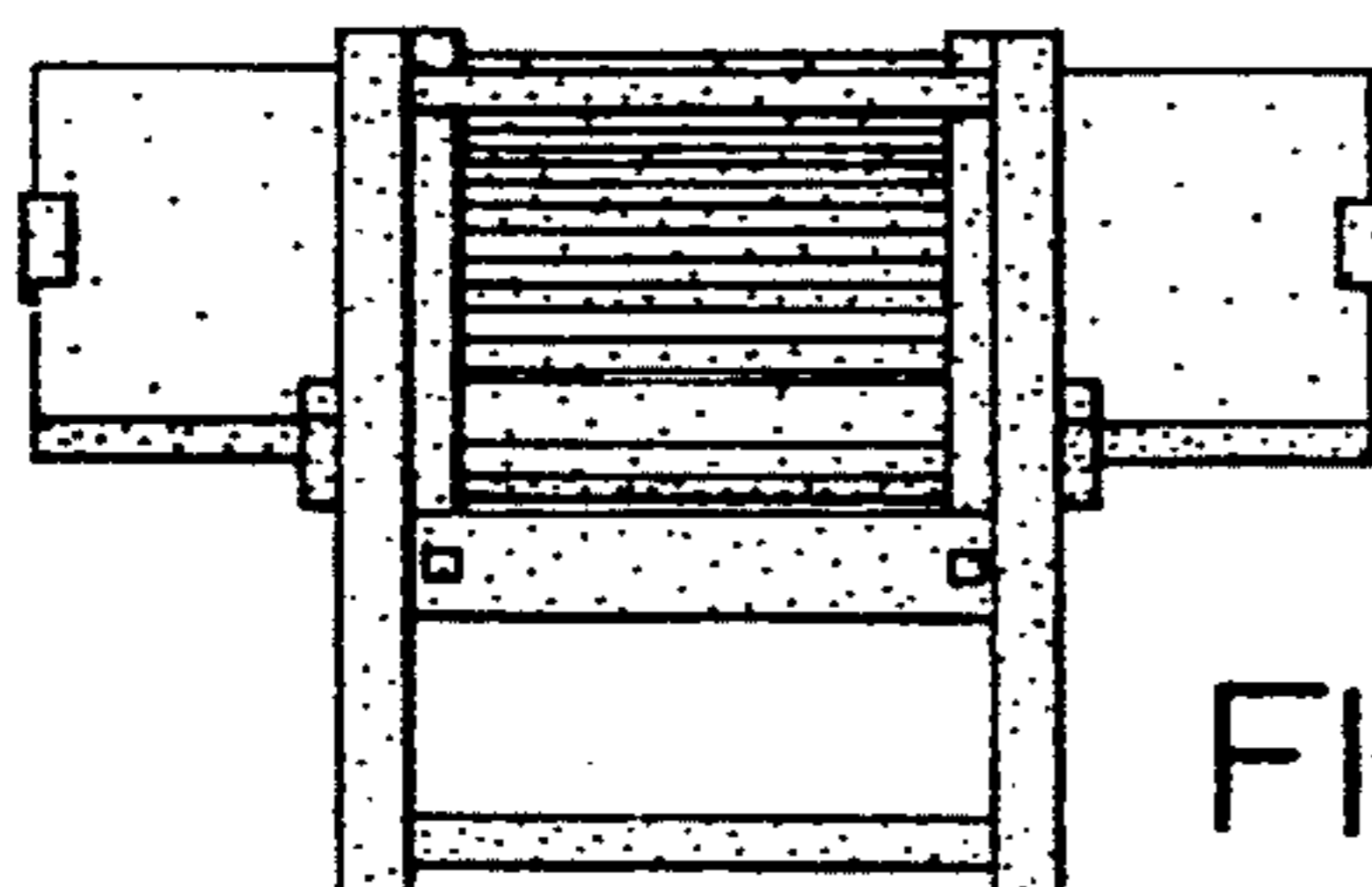
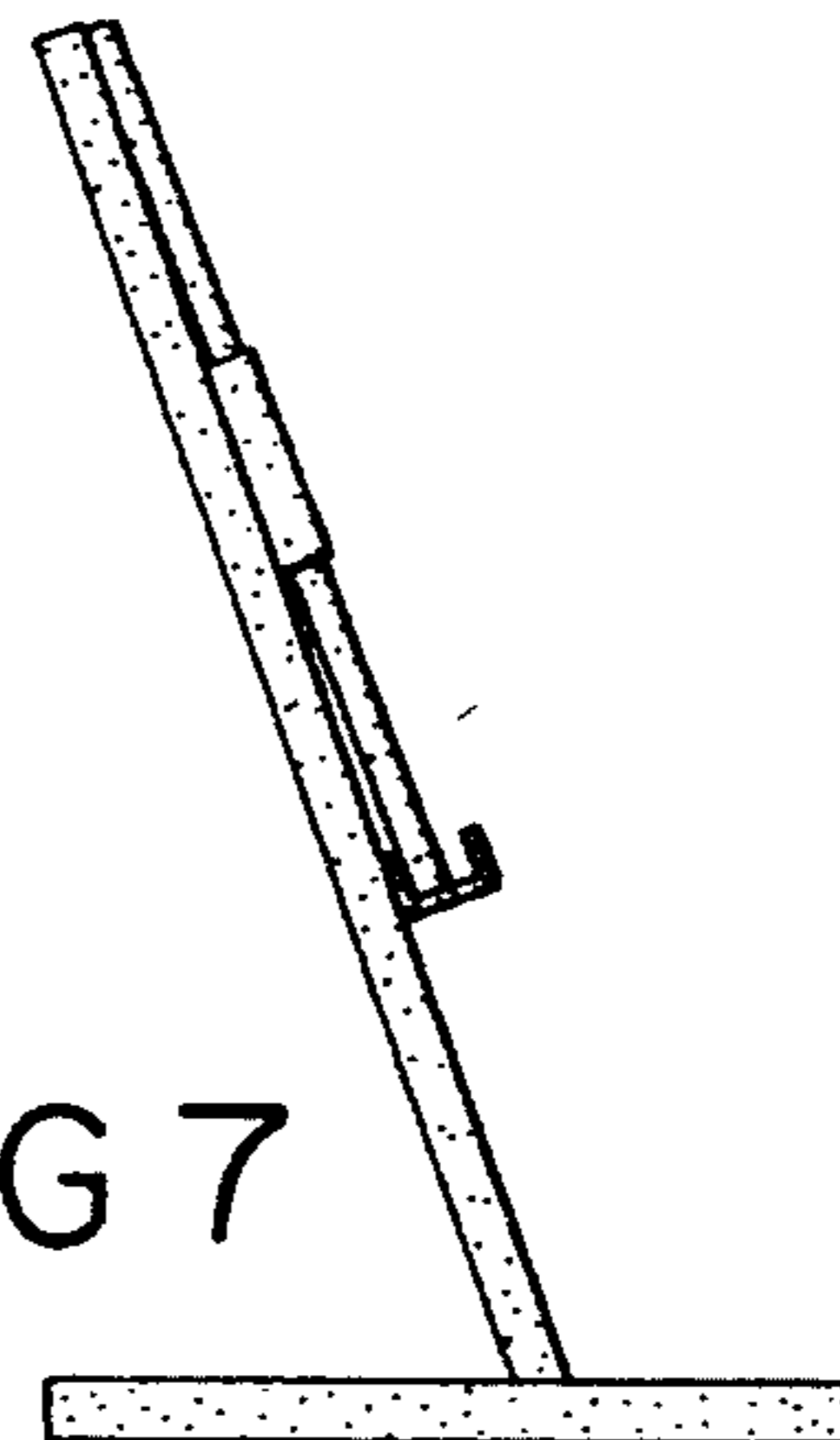


FIG 4

FIG 2

