



US00D356196S

United States Patent [19]

[11] Patent Number: **Des. 356,196**

Bannigan

[45] Date of Patent: **** Mar. 7, 1995**

[54] **ELECTRIC IRON**

[56] **References Cited**

[75] Inventor: **Francis R. Bannigan, Victoria, Australia**

U.S. PATENT DOCUMENTS

D. 326,939	6/1992	Gudfin	D32/70
D. 326,942	6/1992	Gudfin	D32/70
D. 327,150	6/1992	Gudfin et al.	D32/70

[73] Assignee: **Kambrook Distributing Pty. Ltd., Australia**

Primary Examiner—Wallace R. Burke
Assistant Examiner—Lavone D. Tabor
Attorney, Agent, or Firm—Andrus, Scales, Starke & Sawall

[**] Term: **14 Years**

[57] **CLAIM**

[21] Appl. No.: **858,768**

The ornamental design for an electric iron, as shown.

[22] Filed: **Mar. 27, 1992**

DESCRIPTION

[52] U.S. Cl. **D32/70**

[58] Field of Search **D32/17, 68-72; 38/74, 77.1, 77.4-77.8, 77.83, 77.9, 82, 85, 90-93; 219/245, 248, 258**

FIG. 1 is a top, front and side perspective view of an electric iron showing my new design;
FIG. 2 is a bottom, rear and opposite side perspective view;
FIG. 3 is a front elevational view; and,
FIG. 4 is a top plan view.

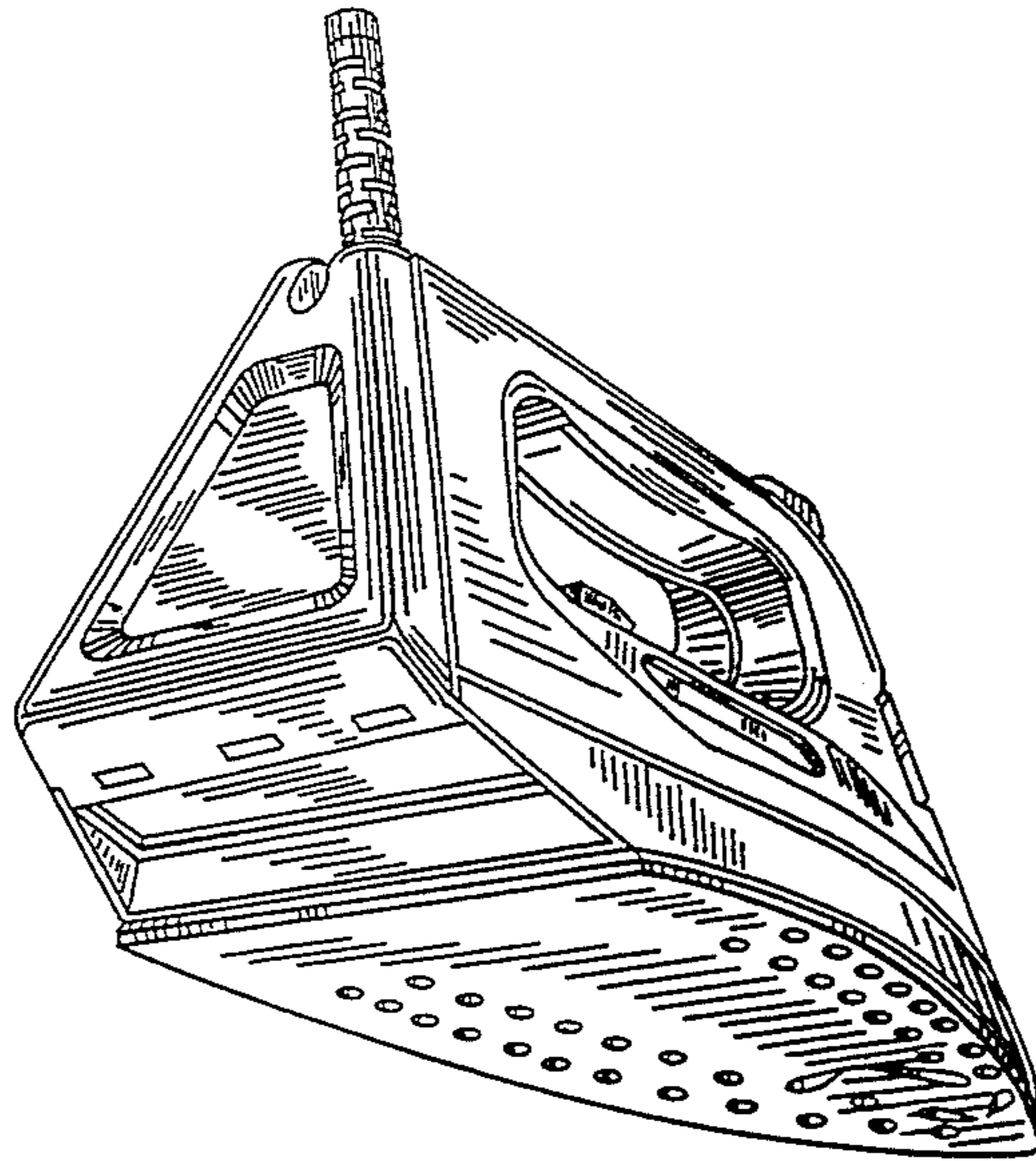
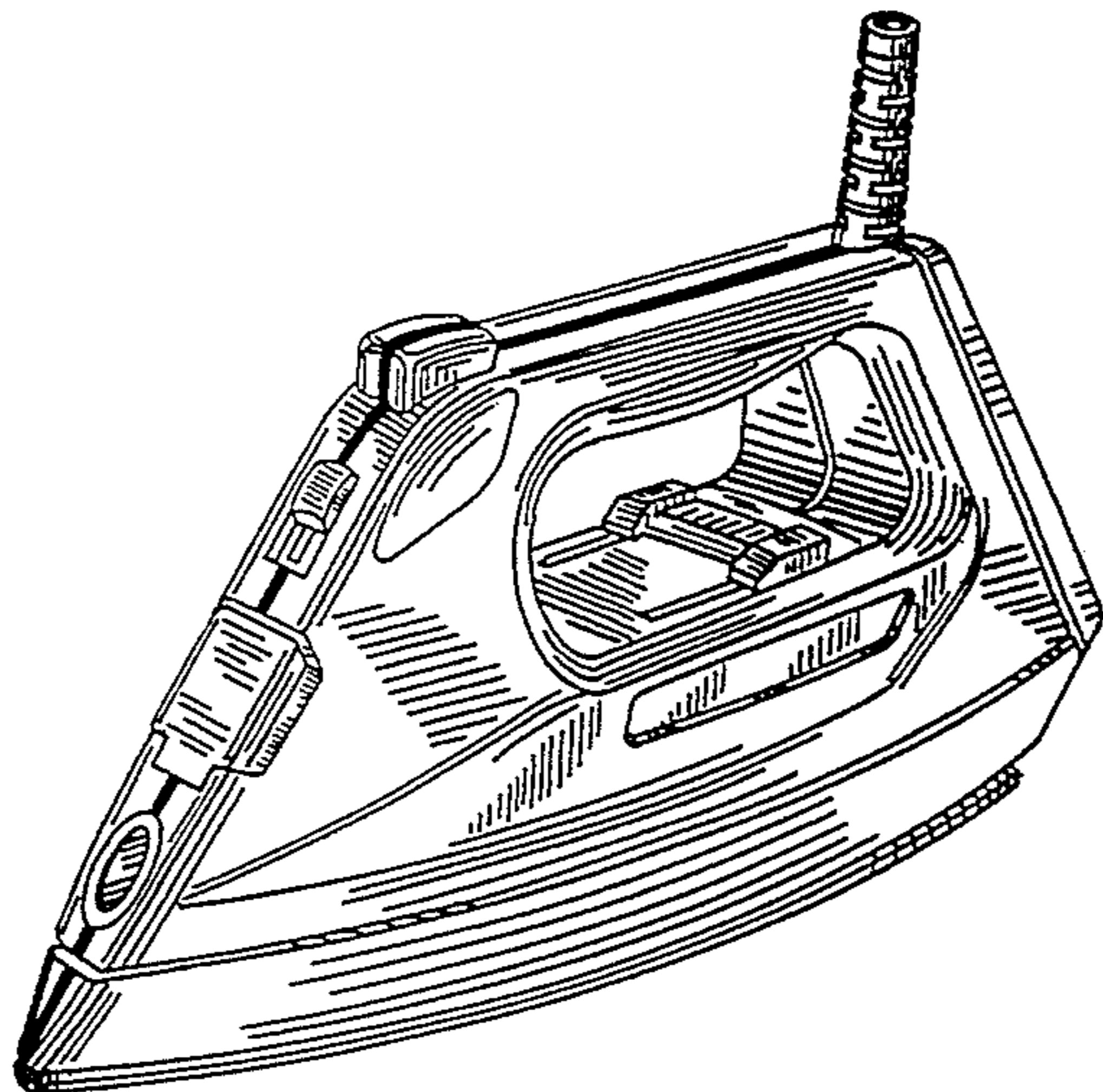


FIG. 1

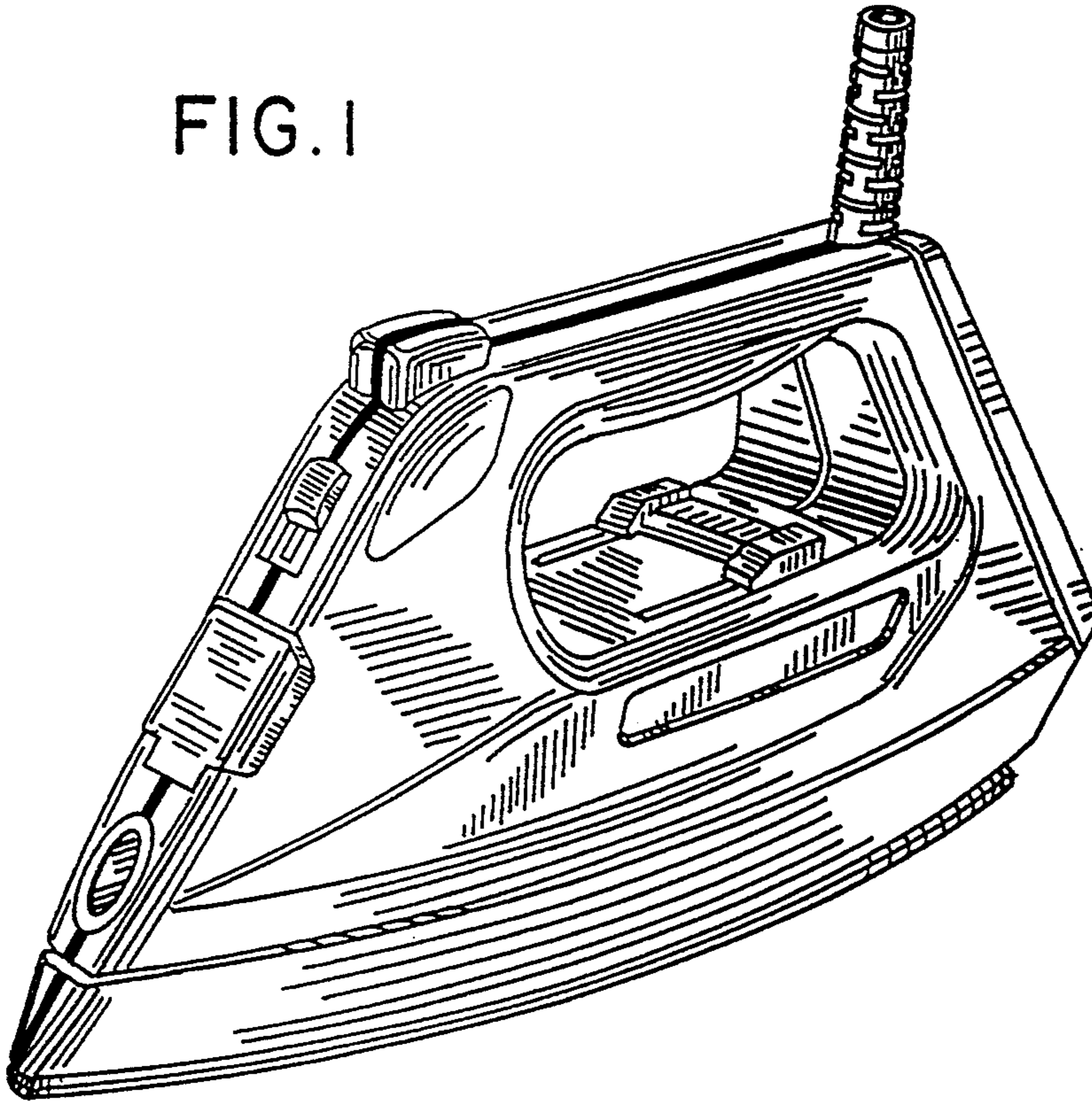
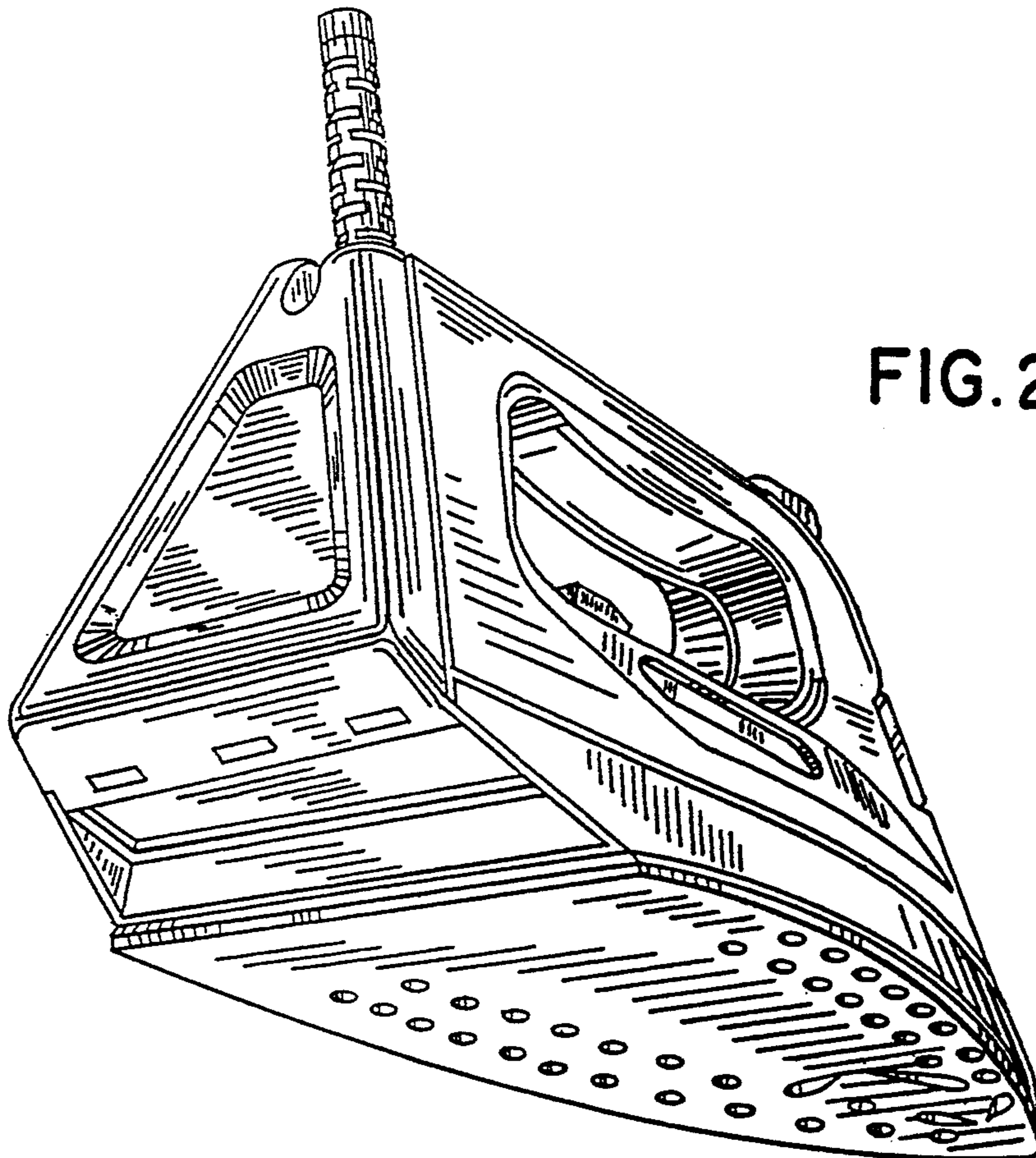


FIG. 2



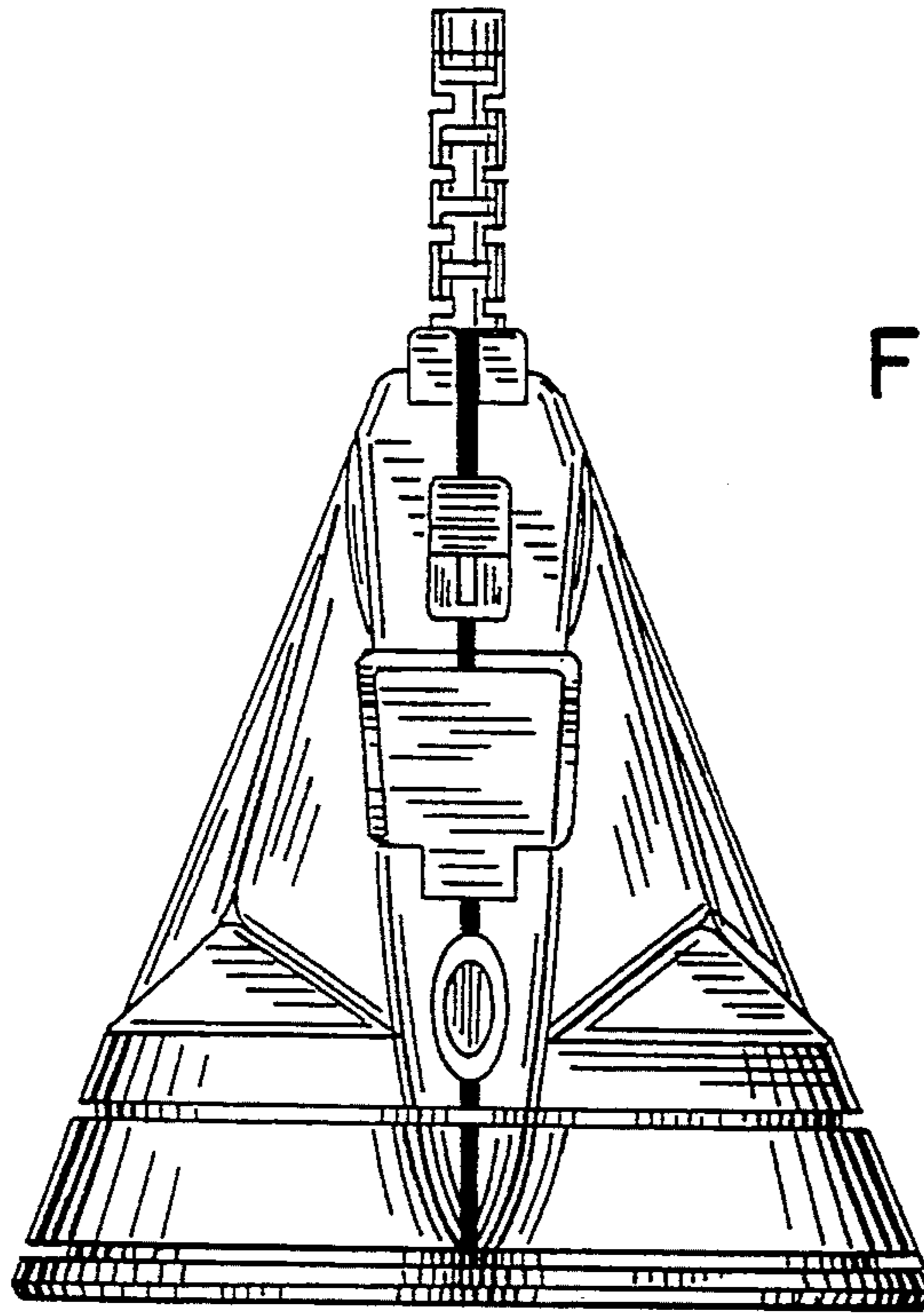


FIG. 3

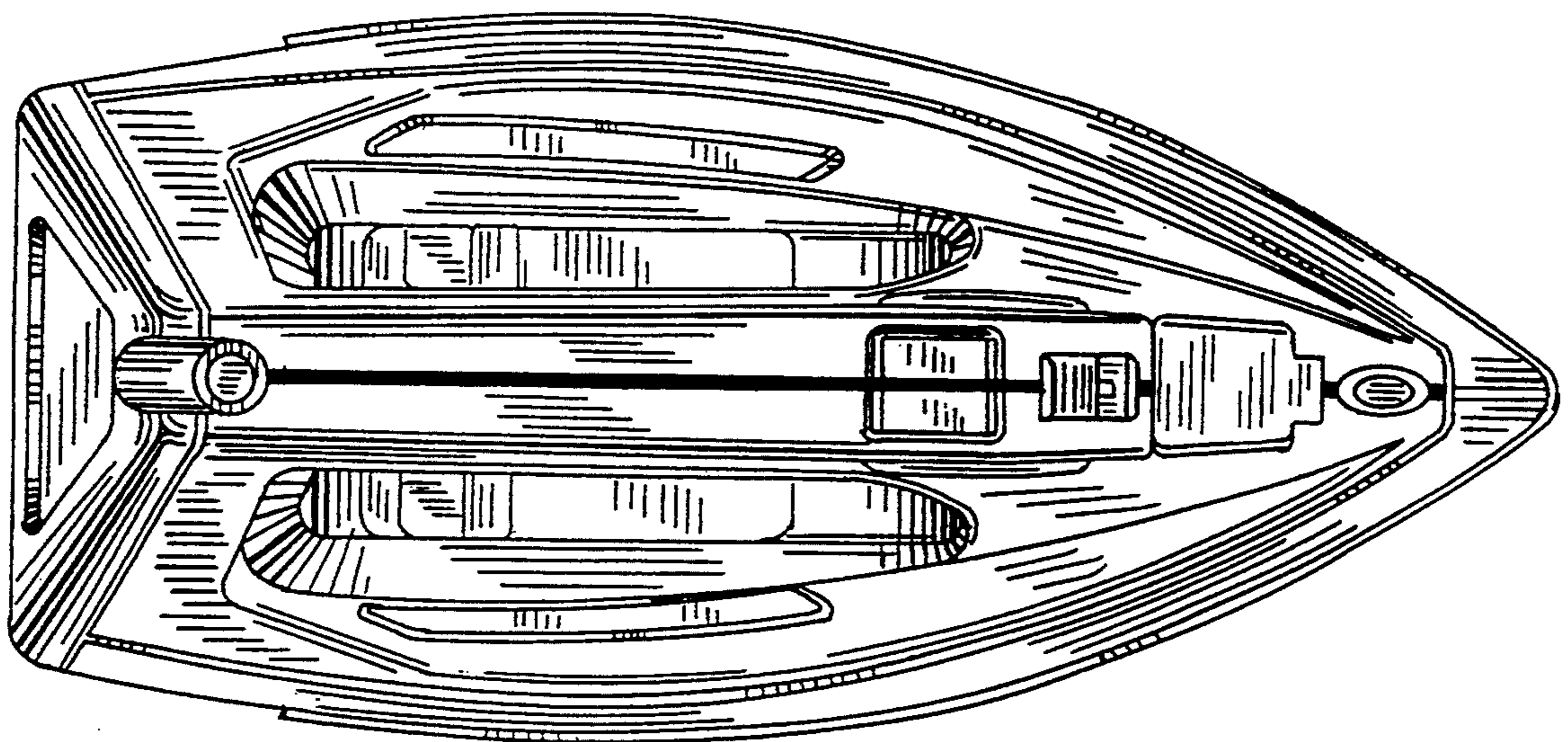


FIG. 4