



US00D356192S

United States Patent [19]

[11] Patent Number: **Des. 356,192**

Wolff

[45] Date of Patent: **** Mar. 7, 1995**

[54] **APPLIANCE BRIDGE**

[75] Inventor: **Stacy L. Wolff, Akron, Ohio**

[73] Assignee: **Rubbermaid Incorporated, Wooster, Ohio**

[**] Term: **14 Years**

[21] Appl. No.: **16,316**

[22] Filed: **Dec. 13, 1993**

[52] U.S. Cl. **D32/25**

[58] Field of Search **D32/25; D7/346, 550, D7/553, 555, 507, 698, 699; 108/25, 43; D6/511, 406; D12/133; D18/14; 312/140.1, 140.4**

D. 324,571 3/1992 Yamasaki D6/511
D. 339,507 9/1993 Ancona et al. D7/555
D. 339,722 9/1993 Ancona et al. D7/698

OTHER PUBLICATIONS

P. 24, Spill guard; Taylor Gifts, 355 East Conestoga Road, P.O. Box 206, Wayne, Pa., 19087-0206. Publication date 1993.

Primary Examiner—Cathy Anne MacCormac
Attorney, Agent, or Firm—Richard B. O’Planick; Lisa B. Riedesel

[57] **CLAIM**

The ornamental design for an appliance bridge, as shown and described.

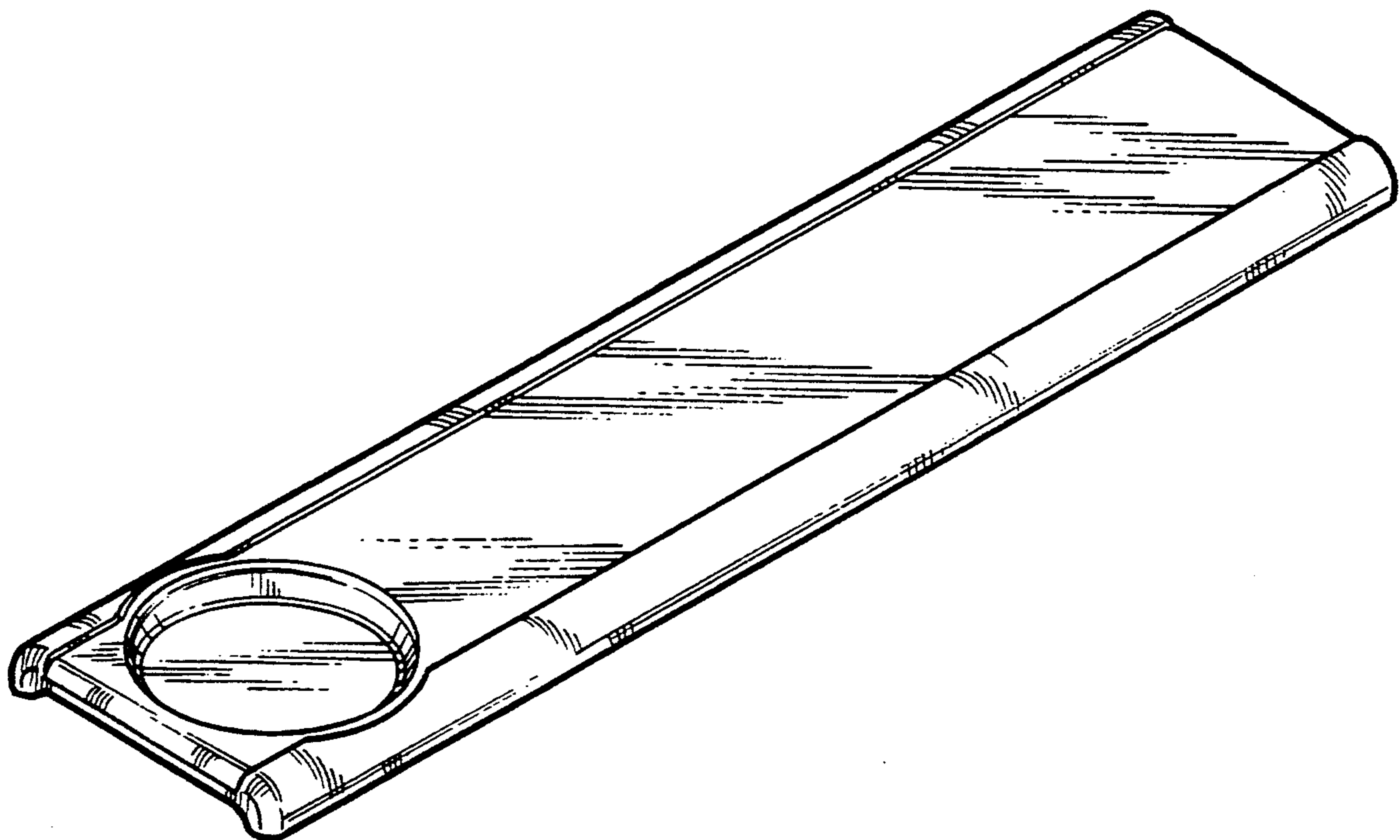
DESCRIPTION

FIG. 1 is a top left front perspective view of an appliance bridge showing my new design; FIG. 2 is a right side elevational view thereof; the left side elevational view being a mirror image; FIG. 3 is a top plan view thereof; FIG. 4 is a bottom plan view thereof; and, FIG. 5 is a front elevational view thereof; the rear elevational view being a mirror image.

[56] **References Cited**

U.S. PATENT DOCUMENTS

D. 81,894	8/1930	Shinn	D7/699
D. 199,628	11/1964	Todd	D7/698
D. 216,413	12/1969	Horii	D18/14
D. 222,683	11/1971	Leach	D32/25
D. 308,497	6/1990	Roche	D6/406
D. 315,974	4/1991	Steiner	D6/406



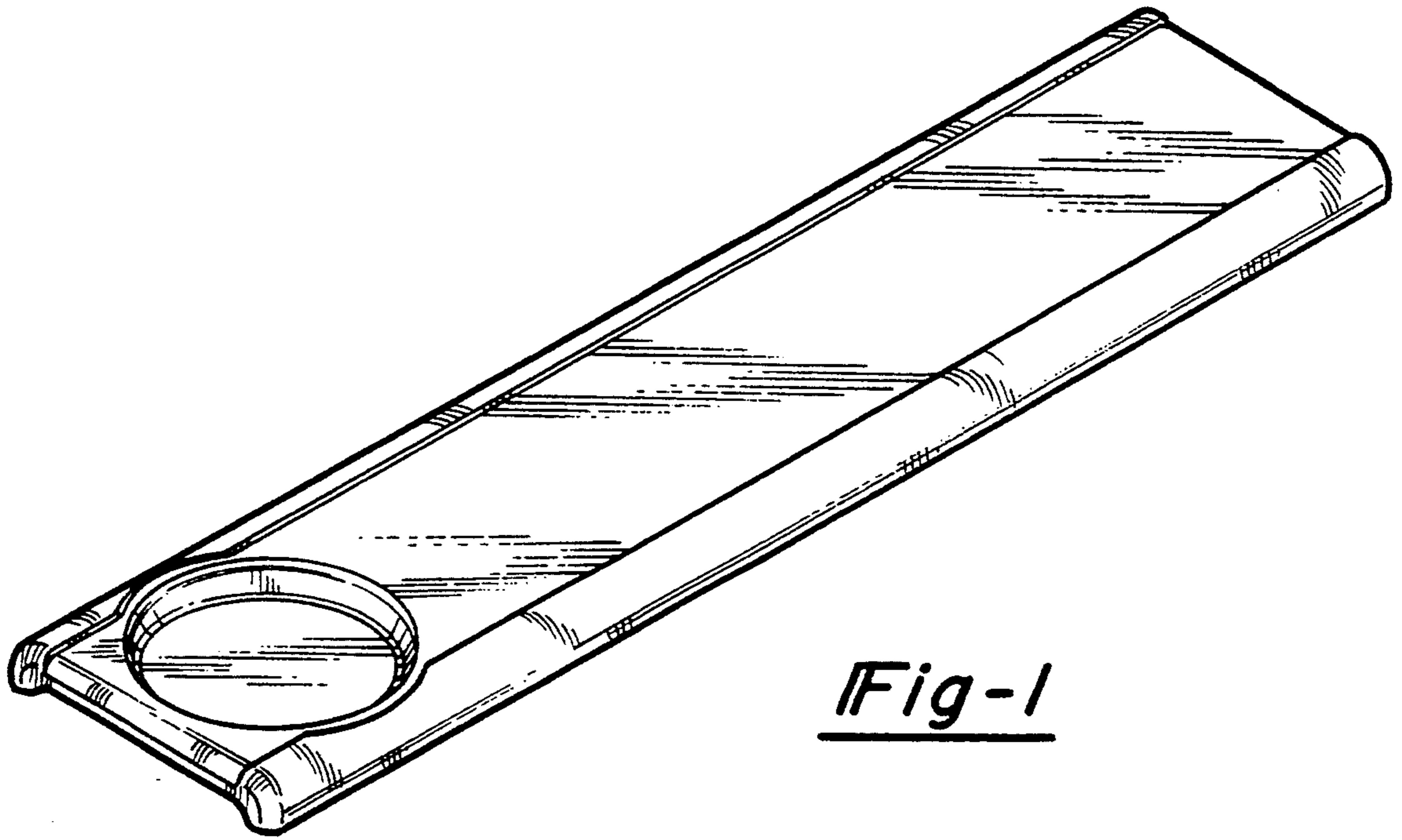


Fig-1

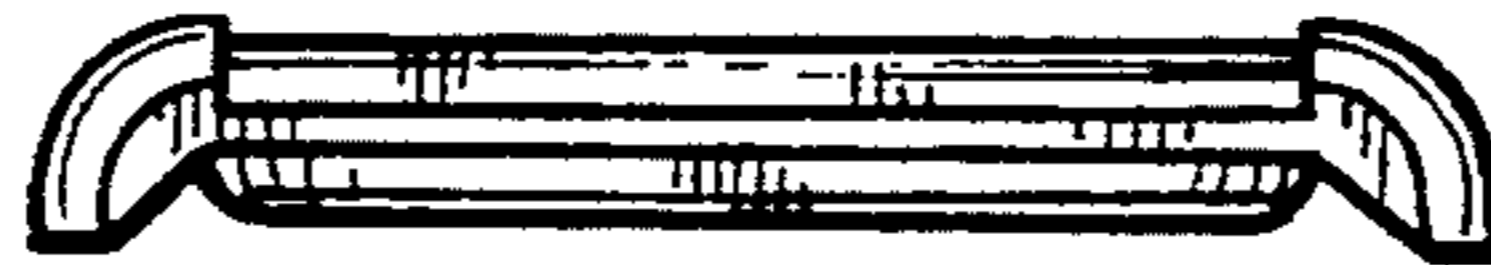


Fig-2

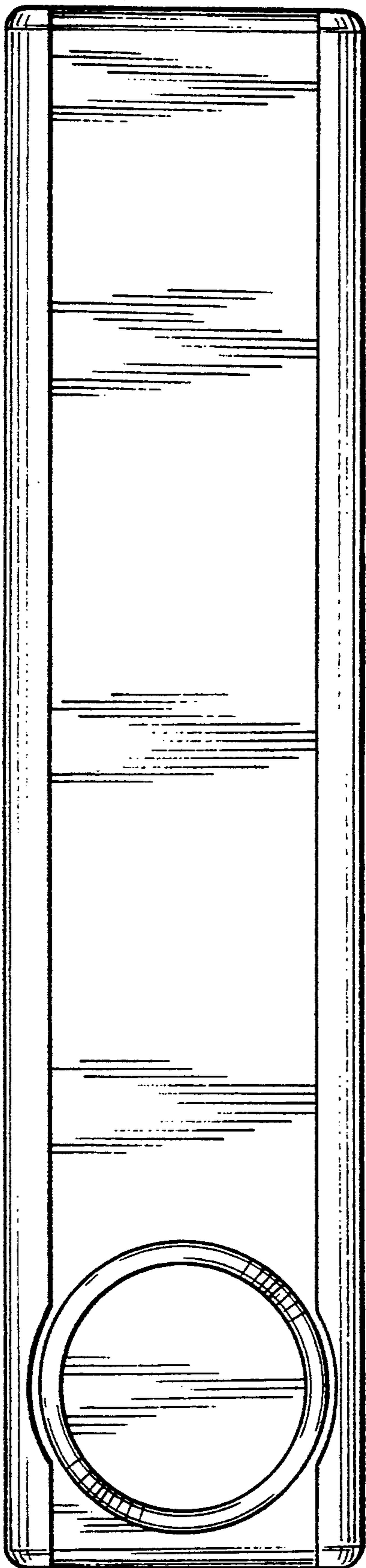


Fig-3

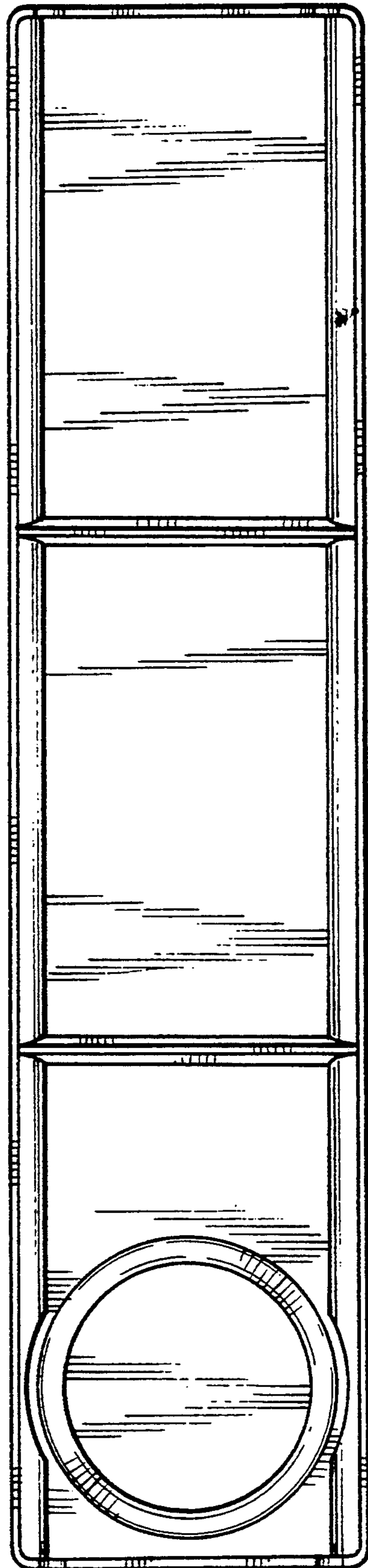


Fig-4



Fig-5