



US00D356184S

United States Patent [19]

[11] Patent Number: **Des. 356,184**

Izumi

[45] Date of Patent: **** Mar. 7, 1995**

[54] **ELECTRIC SHAVER**

[75] Inventor: **Yukio Izumi, Nagano, Japan**

[73] Assignee: **Izumi Products Company, Nagano, Japan**

[**] Term: **14 Years**

[21] Appl. No.: **7,947**

[22] Filed: **May 5, 1993**

[52] U.S. Cl. **D28/51**

[58] Field of Search **D28/49-52;**
30/34.05, 34.1, 34.2, 41, 41.5, 41.6, 41.9, 42-45,
43.3-43.92

[56] **References Cited**

U.S. PATENT DOCUMENTS

D. 283,058	3/1986	Satoh et al.	D28/50
D. 285,979	9/1986	Satoh et al.	D28/50
D. 286,089	10/1986	Oord	D28/50
D. 291,372	8/1987	Oord et al.	D28/50
D. 302,592	8/1989	Anema	D28/50
D. 307,950	5/1990	Sterk	D28/50
D. 311,973	11/1990	Izumi	D28/50
D. 344,156	2/1994	Murumatsu et al.	D28/50
4,631,825	12/1986	Kuriyama et al.	30/34.1 X
5,185,926	2/1993	Locke	30/43.9 X

FOREIGN PATENT DOCUMENTS

0274280 11/1990 Japan 30/34.1

OTHER PUBLICATIONS

Argos Spring/Summer 1988 cat. p. 60 item 10-Philips H3250 tracer; p. 61 item 22-Philips HS900 Double Action Mains.

Evans 1989/1990 cat.; p. 214y: Norelco 600RX shaver.

Primary Examiner—Bernard Ansher

Assistant Examiner—C. Tuttle

Attorney, Agent, or Firm—Koda and Androlia

[57] **CLAIM**

The ornamental design for the electric shaver, as shown and described.

DESCRIPTION

FIG. 1 is a perspective view taken from the top, front and right side of the electric shaver showing my new design;

FIG. 2 is a front elevational view thereof;

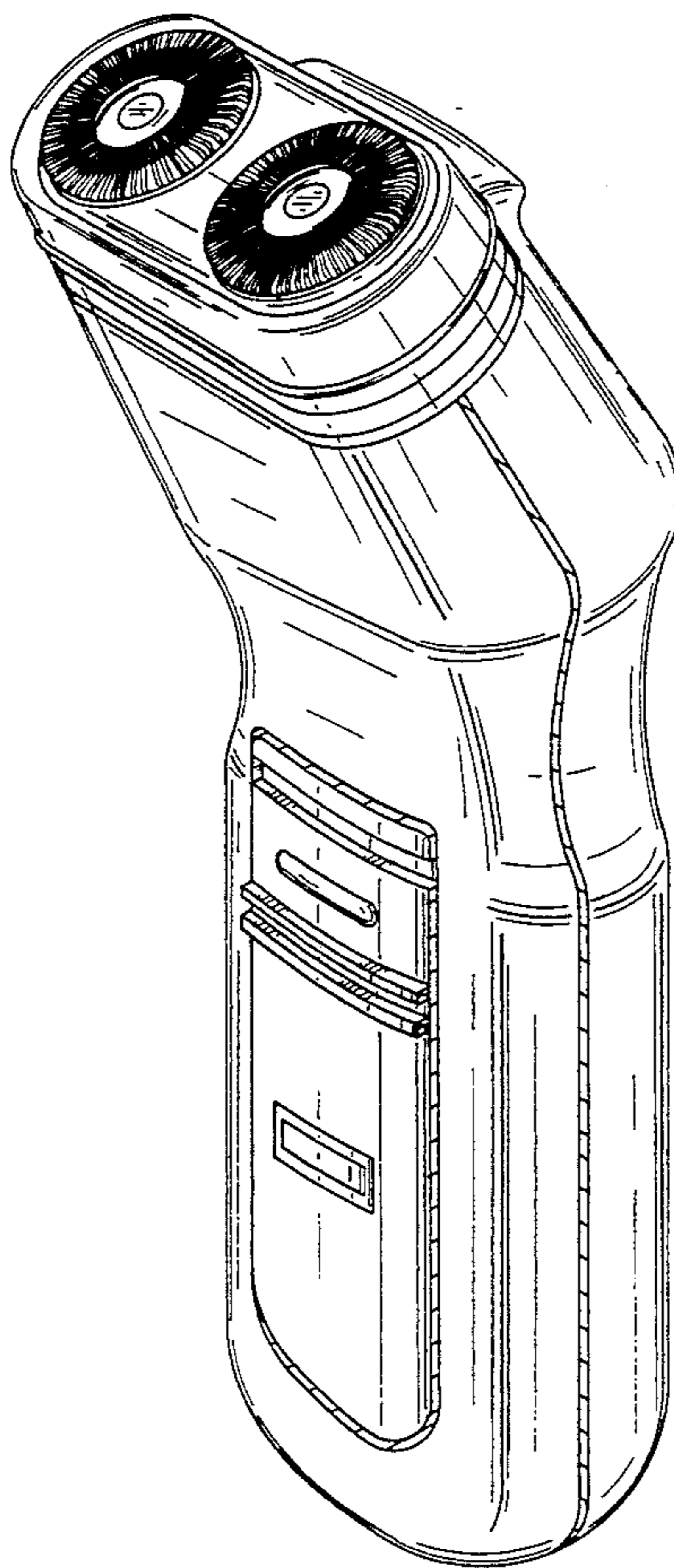
FIG. 3 is a left side elevational view thereof;

FIG. 4 is a rear elevational view thereof;

FIG. 5 is a right side elevational view thereof;

FIG. 6 is a top plan view thereof; and,

FIG. 7 is a bottom plan view thereof.



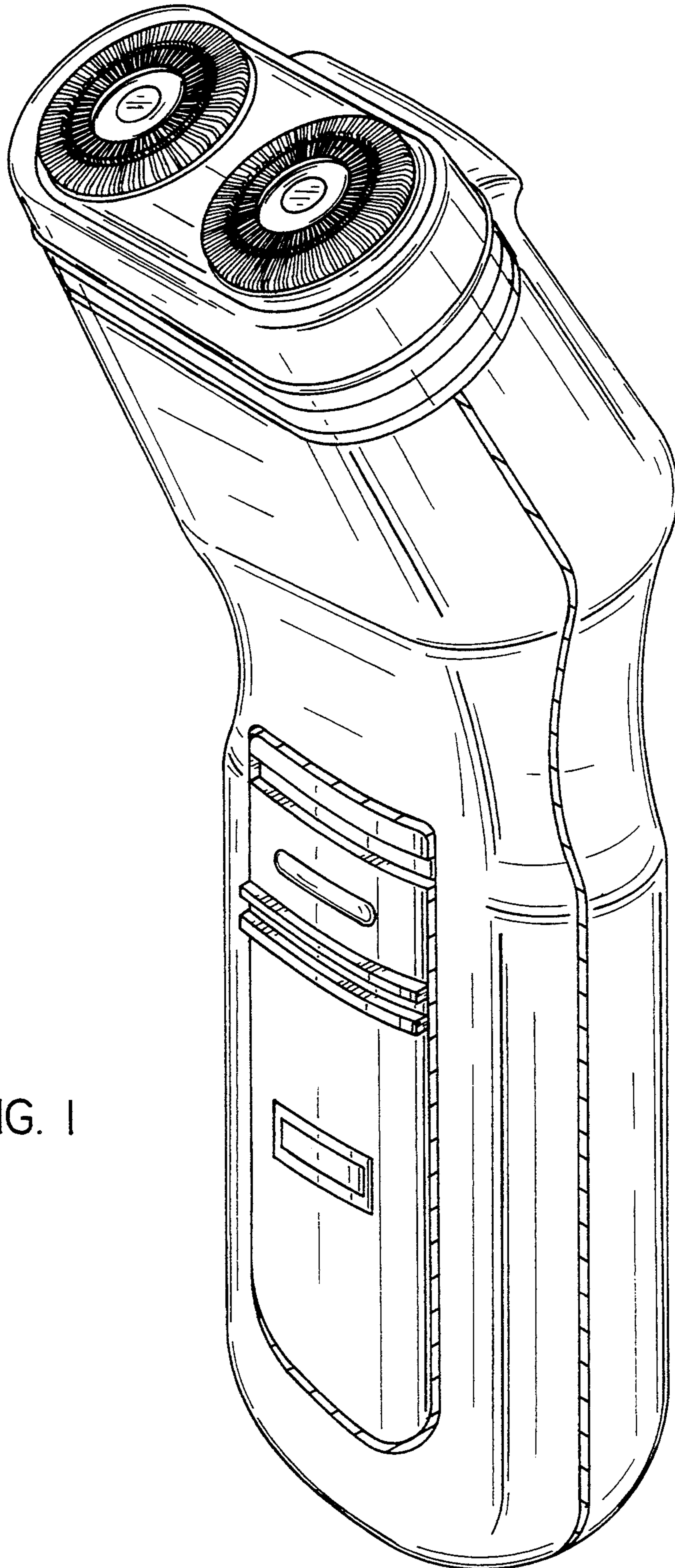


FIG. 1

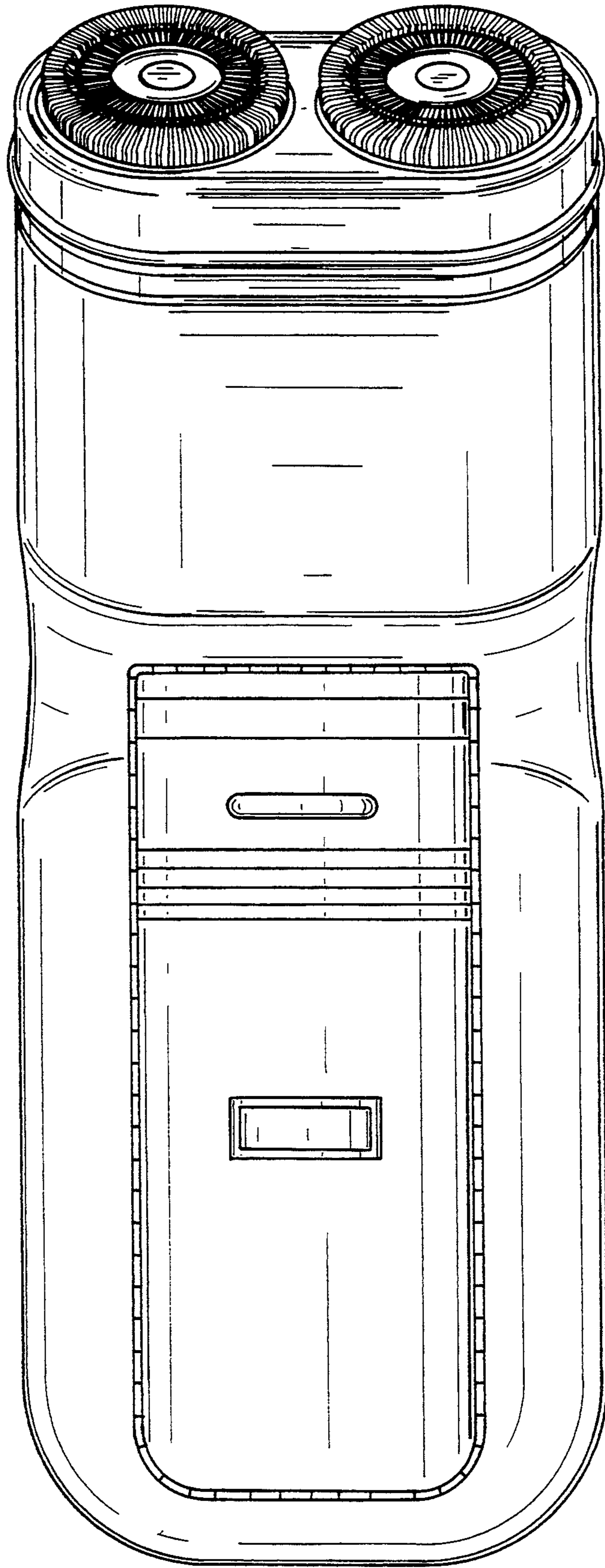


FIG. 2

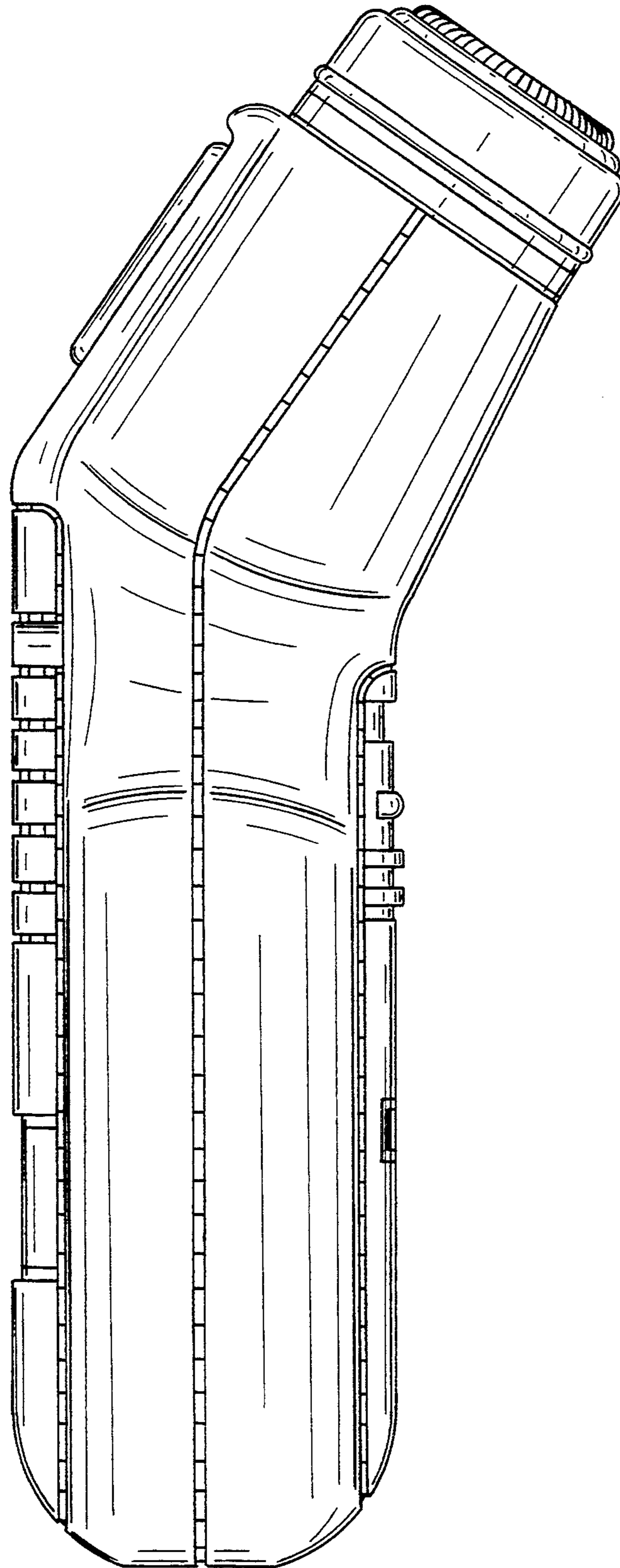


FIG. 3

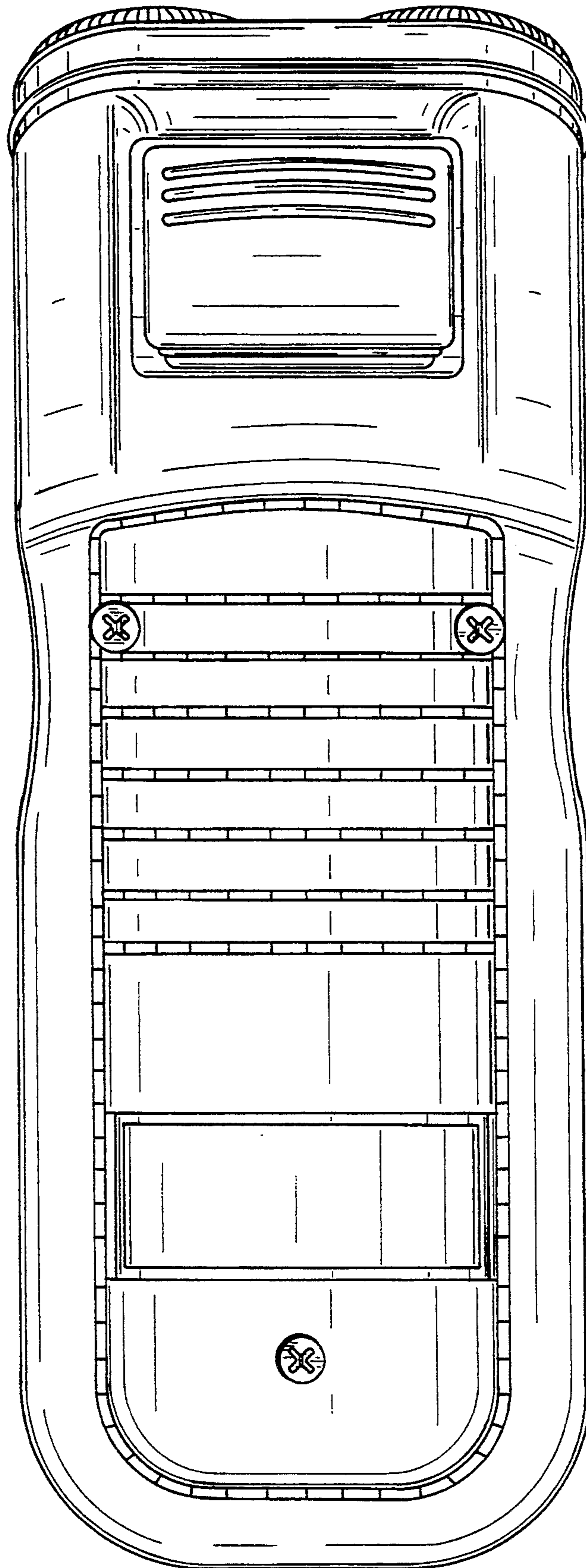


FIG. 4

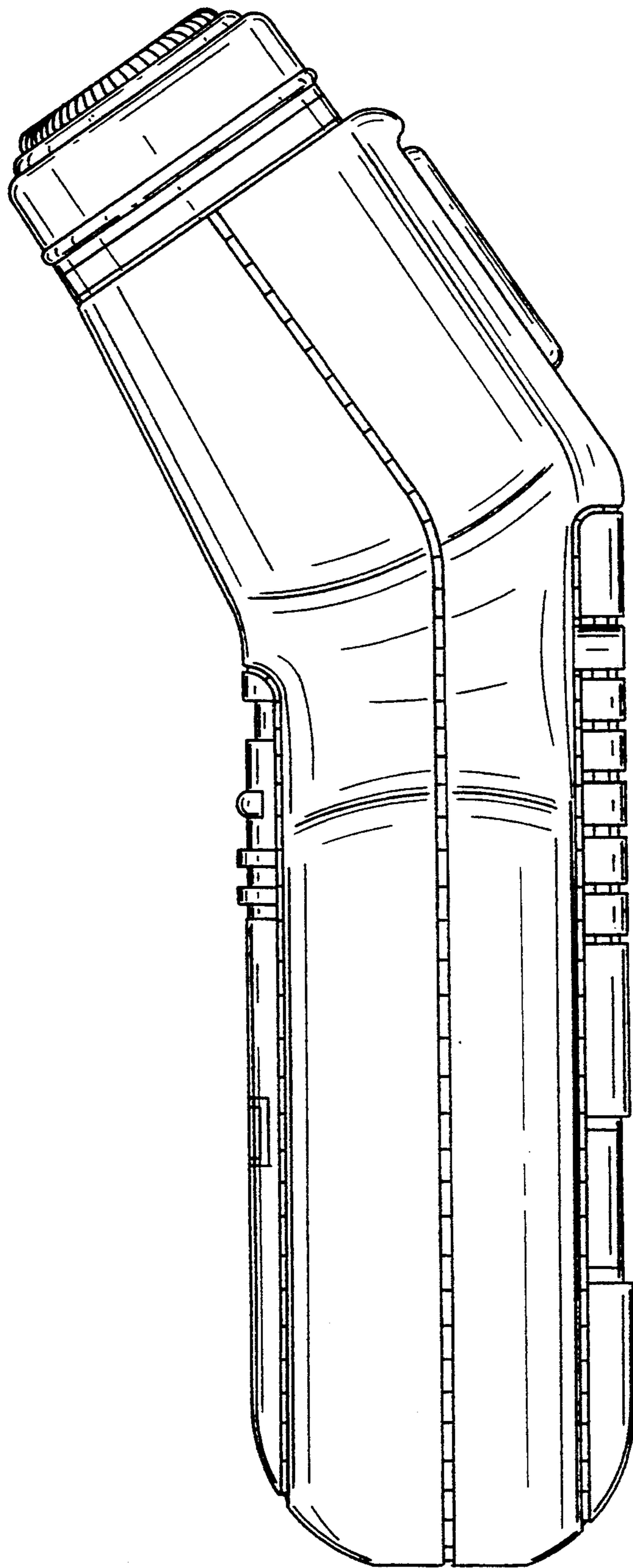


FIG. 5

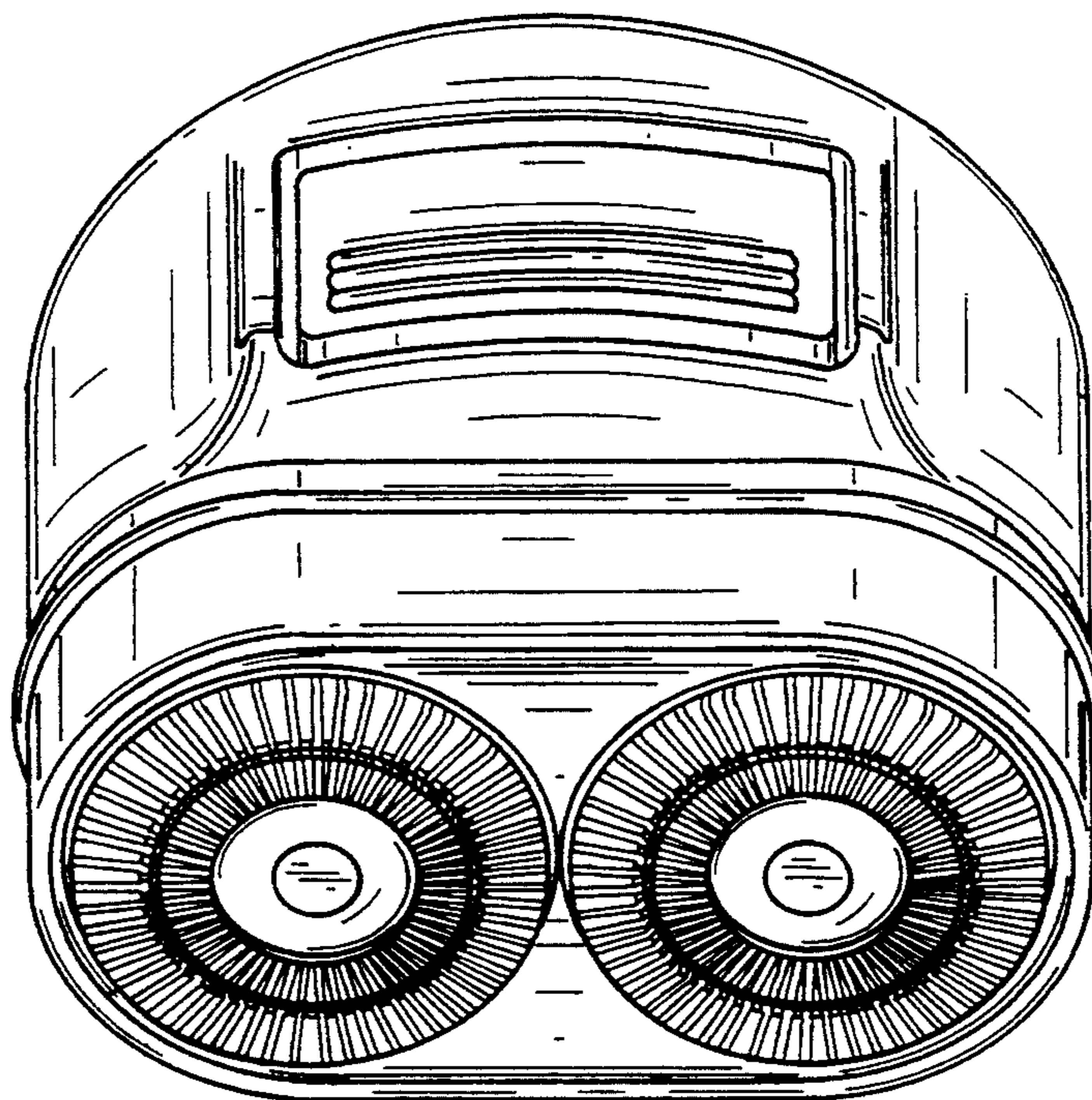


FIG. 6

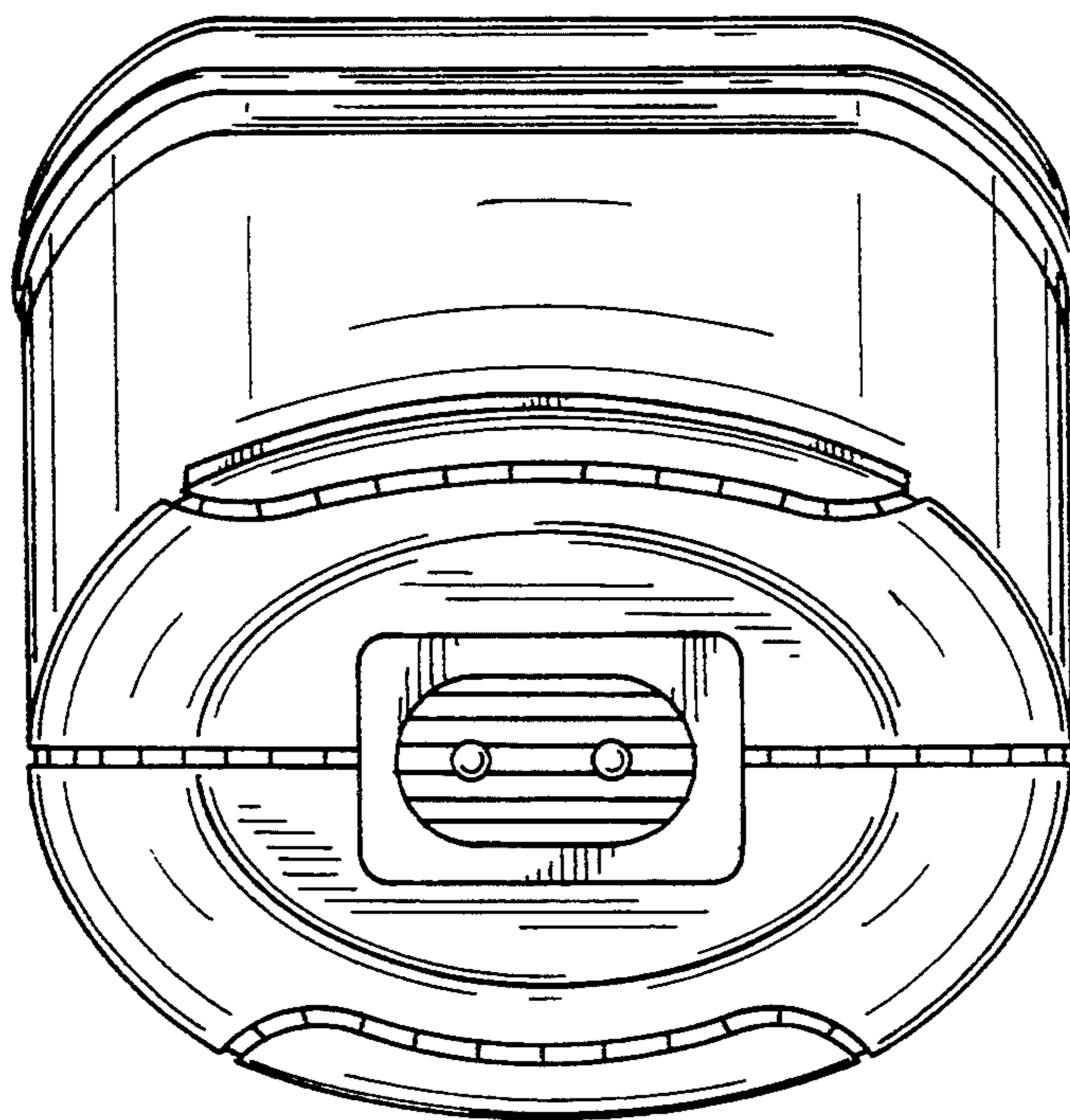


FIG. 7