



US00D356178S

United States Patent [19]

[11] Patent Number: **Des. 356,178**

Von Kluck

[45] Date of Patent: **** Mar. 7, 1995**

[54] **TABLE LAMP**

[75] Inventor: **Kevin Von Kluck**, Hudson, Ohio

[73] Assignee: **The L. D. Kichler Co.**, Cleveland, Ohio

[**] Term: **14 Years**

[21] Appl. No.: **17,864**

[22] Filed: **Jan. 24, 1994**

[52] U.S. Cl. **D26/106**

[58] Field of Search **D26/93, 102-112;
362/410-414**

Murray Feiss Lighting Catalog, p. L85 Table Lamp #8189.

Primary Examiner—Susan J. Lucas
Attorney, Agent, or Firm—Watts, Hoffmann, Fisher & Heinke

[57] **CLAIM**

The ornamental design for a table lamp, as shown and described.

DESCRIPTION

FIG. 1 is a perspective view of a table lamp showing my new design;

FIG. 2 is a front elevational view thereof, the rear elevational view being identical;

FIG. 3 is a right side elevational view thereof; the left side elevational view being identical;

FIG. 4 is a top plan view thereof; and,

FIG. 5 is a bottom plan view thereof.

The broken lines are shown for illustrative purposes only and form no part of the claimed design.

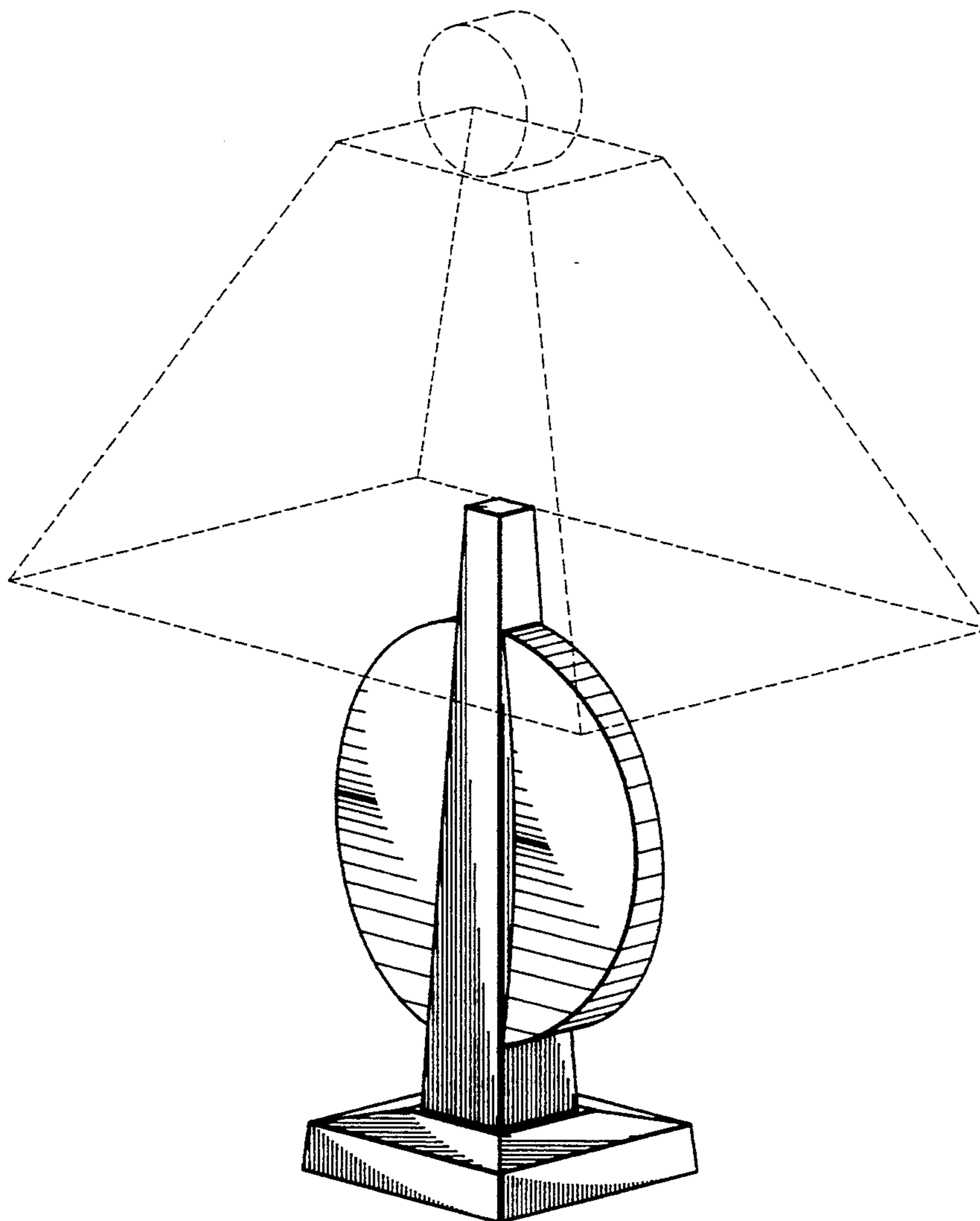
[56] **References Cited**

U.S. PATENT DOCUMENTS

D. 148,234 12/1947 Galehouse D26/106

OTHER PUBLICATIONS

Murray Feiss Lighting Catalog, p. L-15, Table Lamp #8102.



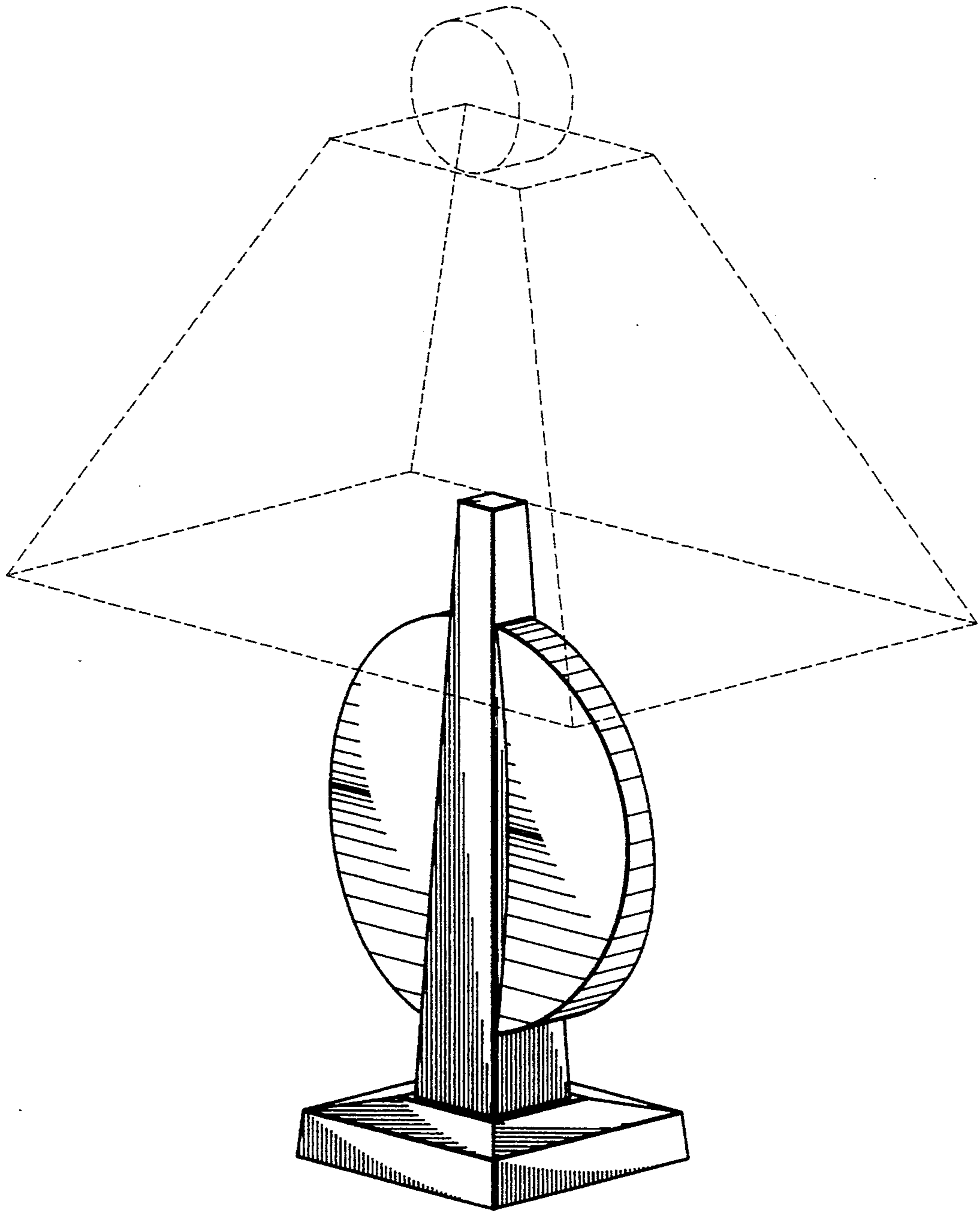


Fig. 1

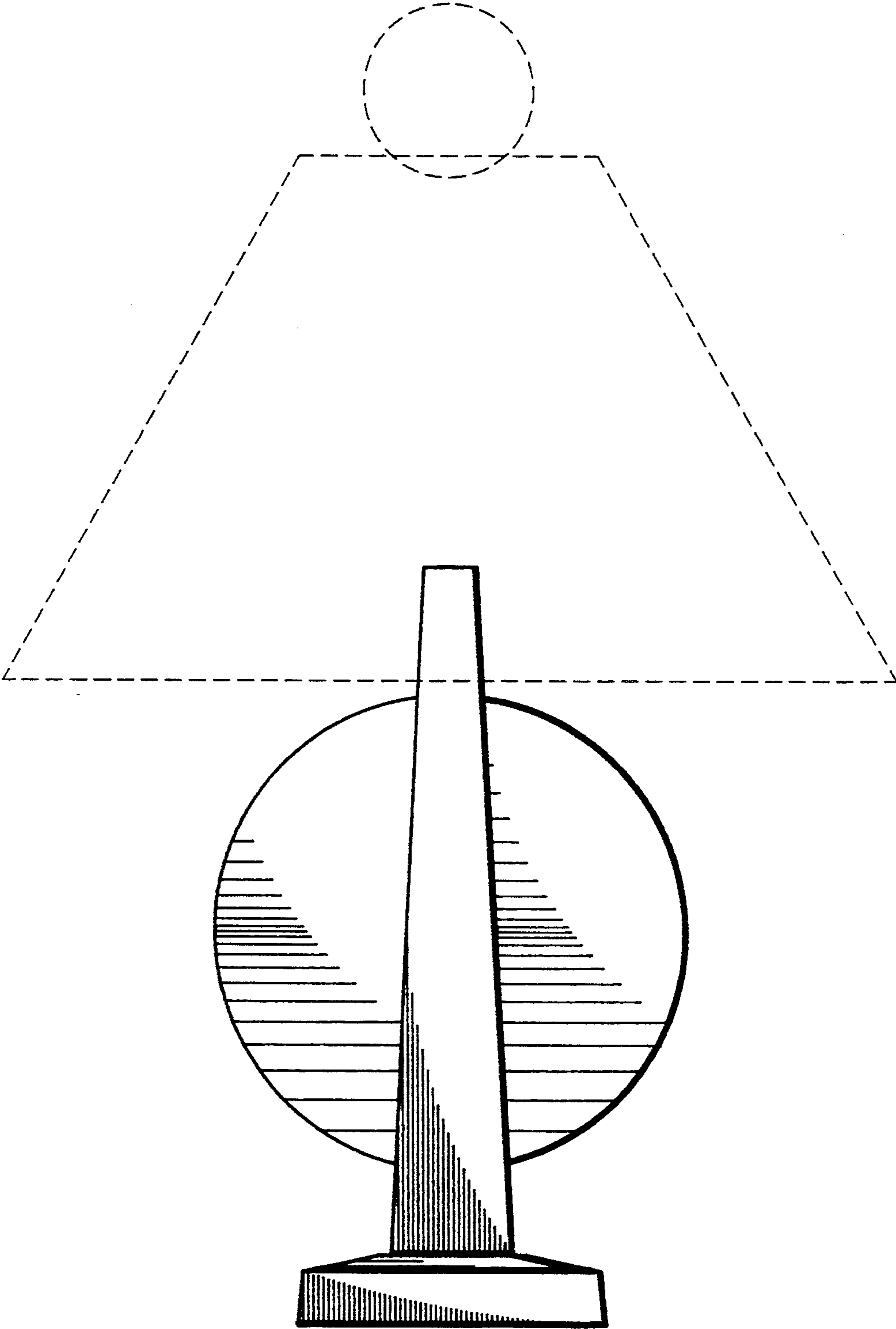


Fig. 2

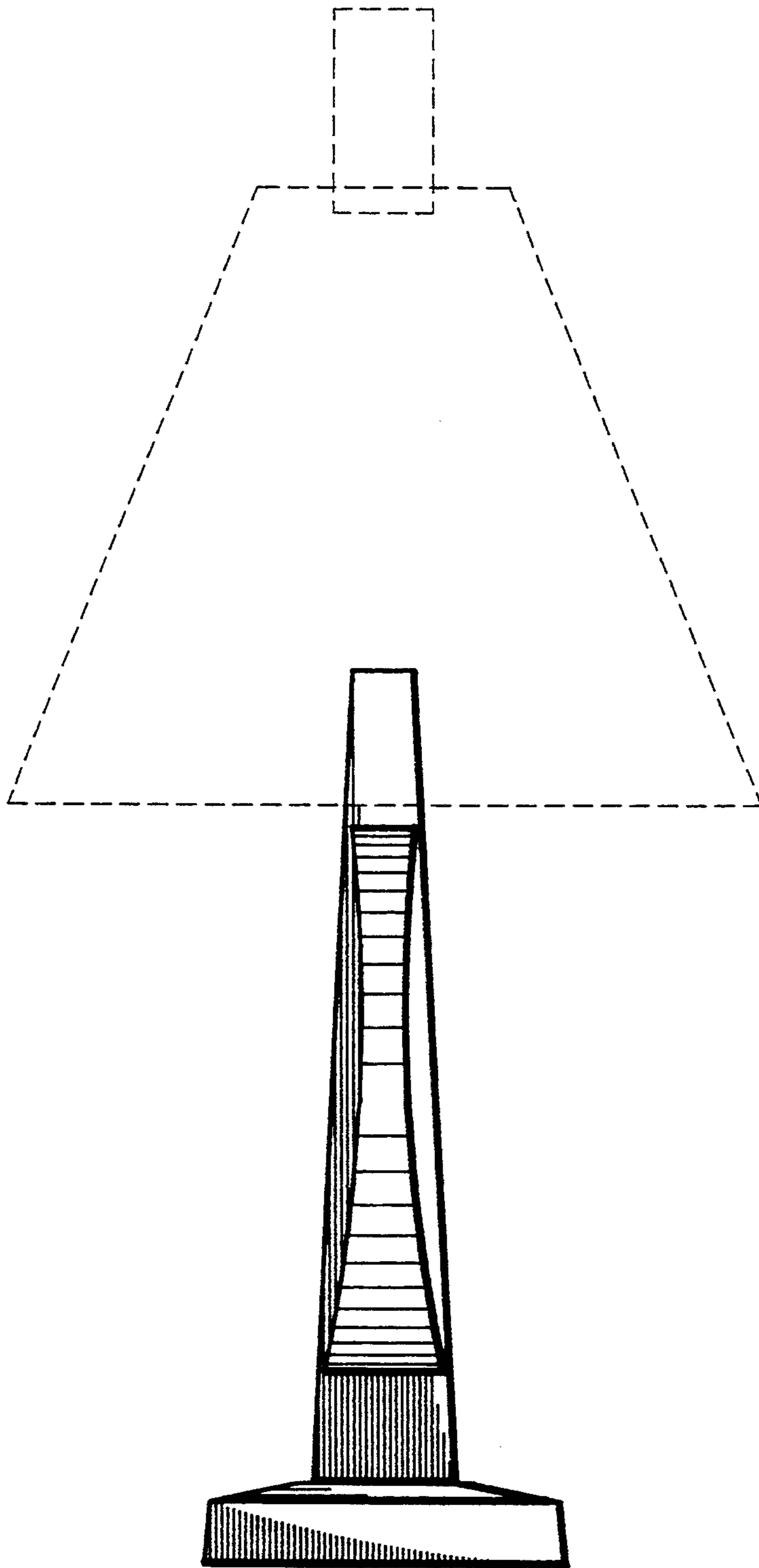


Fig. 3

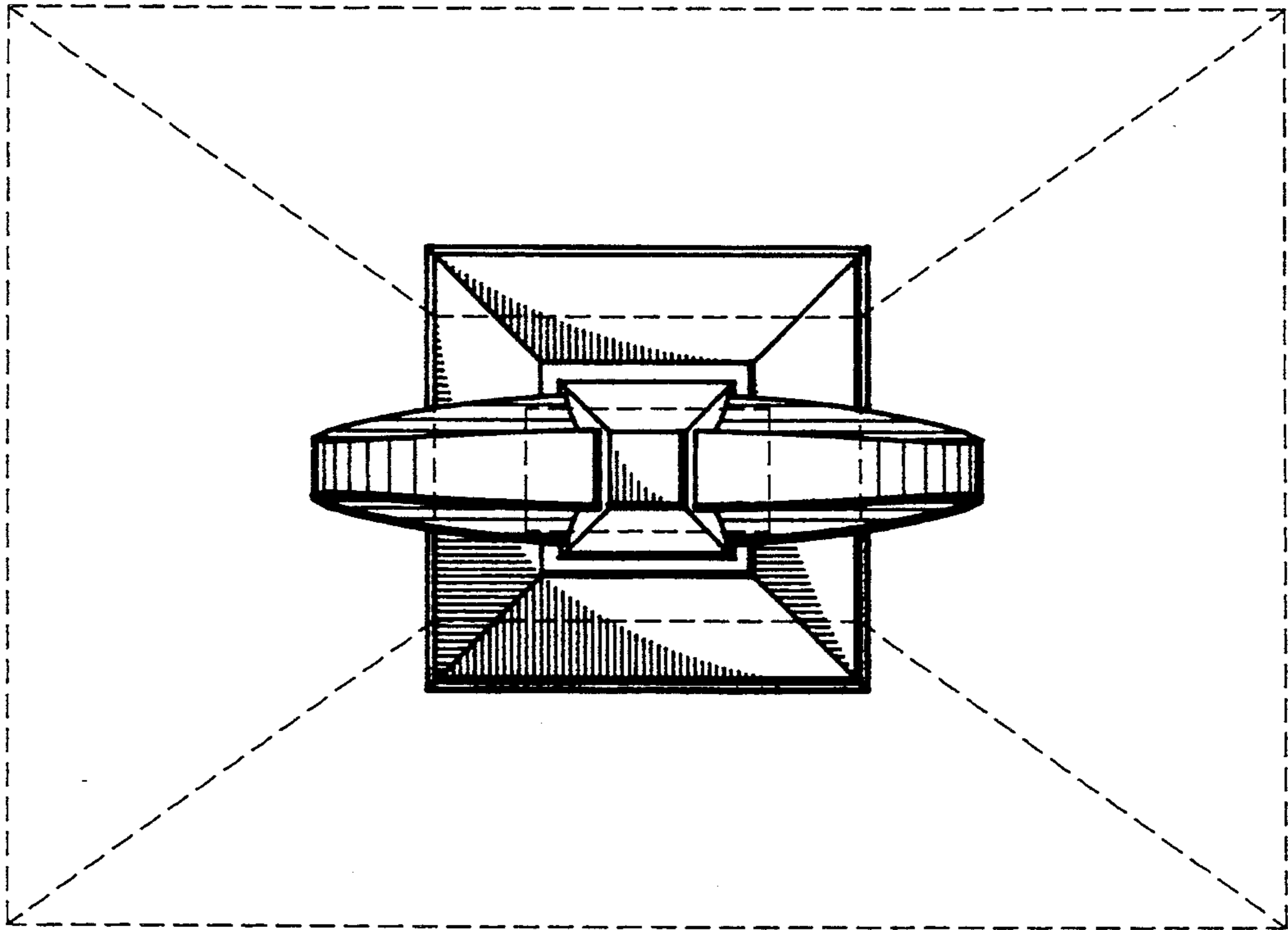


Fig. 4

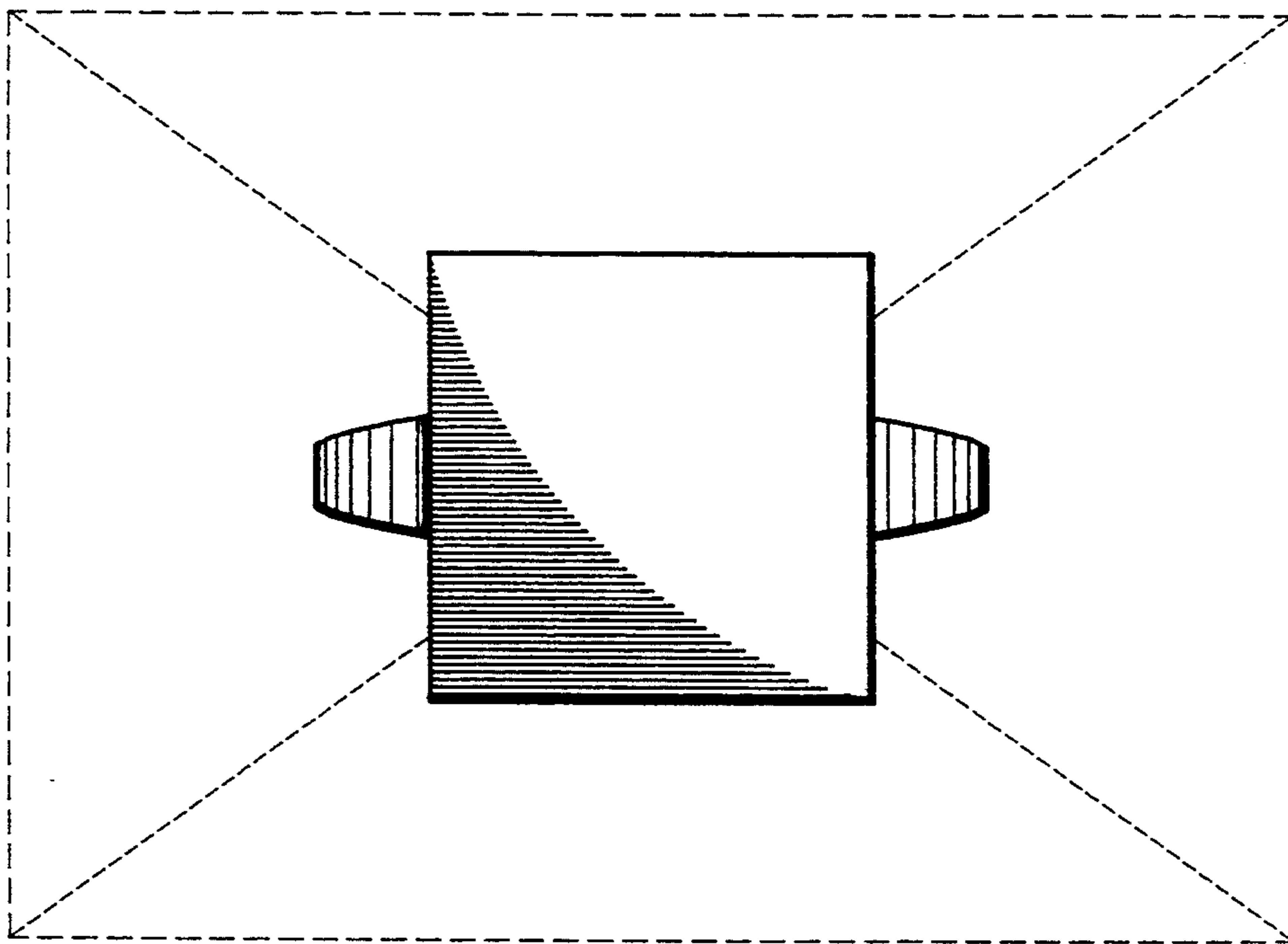


Fig 5