



US00D356176S

United States Patent [19]

[11] Patent Number: **Des. 356,176**

Tsuji

[45] Date of Patent: **** Mar. 7, 1995**

[54] **LIGHT FIXTURE FOR USE WITH A CEILING FAN**

D. 339,653	9/1993	Porter	D26/130
4,541,038	9/1985	Van Noord	362/351 X
4,685,038	8/1987	Huang	362/147 X

[75] Inventor: **Masao Tsuji**, Germantown, Tenn.

Primary Examiner—Susan J. Lucas
Attorney, Agent, or Firm—Heiskell, Donelson, Bearman, Adams, Williams & Caldwell

[73] Assignee: **Hunter Fan Company**, Memphis, Tenn.

[**] Term: **14 Years**

[57] **CLAIM**

[21] Appl. No.: **14,664**

The ornamental design for a light fixture for use with a ceiling fan, as shown and described.

[22] Filed: **Oct. 27, 1993**

DESCRIPTION

[52] U.S. Cl. **D26/91**

[58] Field of Search **D26/128-136,**
D26/72, 80-92; 362/147, 404, 405, 406, 407,
408, 351, 353, 355, 367

FIG. 1 is a bottom, side perspective view of a light fixture for use with a ceiling fan, showing my new design;
FIG. 2 is a side elevational view thereof, the remaining side views being the same;
FIG. 3 is a top plan view thereof on a reduced scale; and,
FIG. 4 is a bottom plan view thereof on a reduced scale.
The broken lines are shown for illustrative purposes only.

[56] **References Cited**

U.S. PATENT DOCUMENTS

D. 80,088	12/1929	Plaut	D26/91
D. 206,178	11/1966	Eckert	D26/81
D. 251,871	5/1979	Horn	D26/91

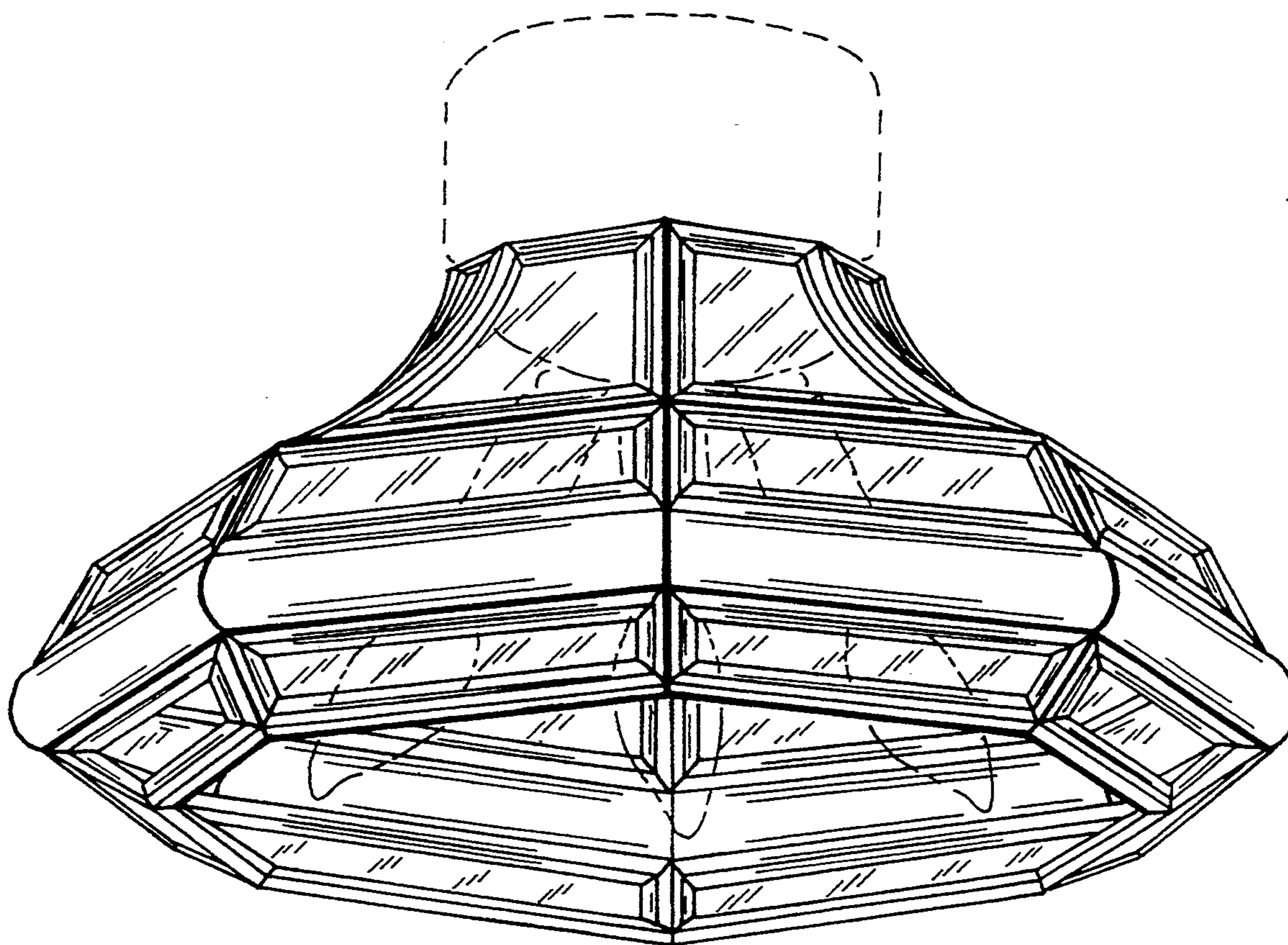


FIG. 1

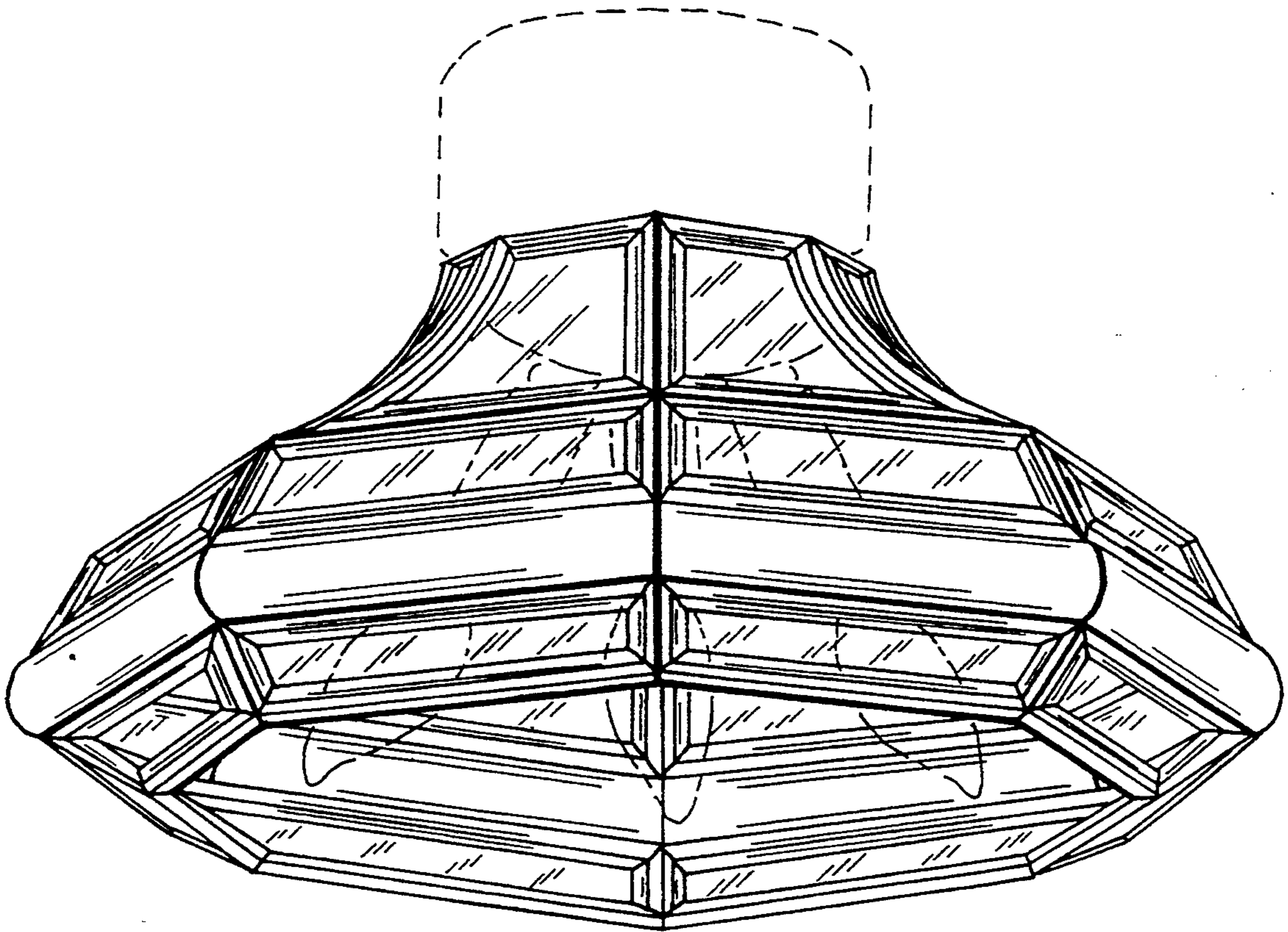


FIG. 2

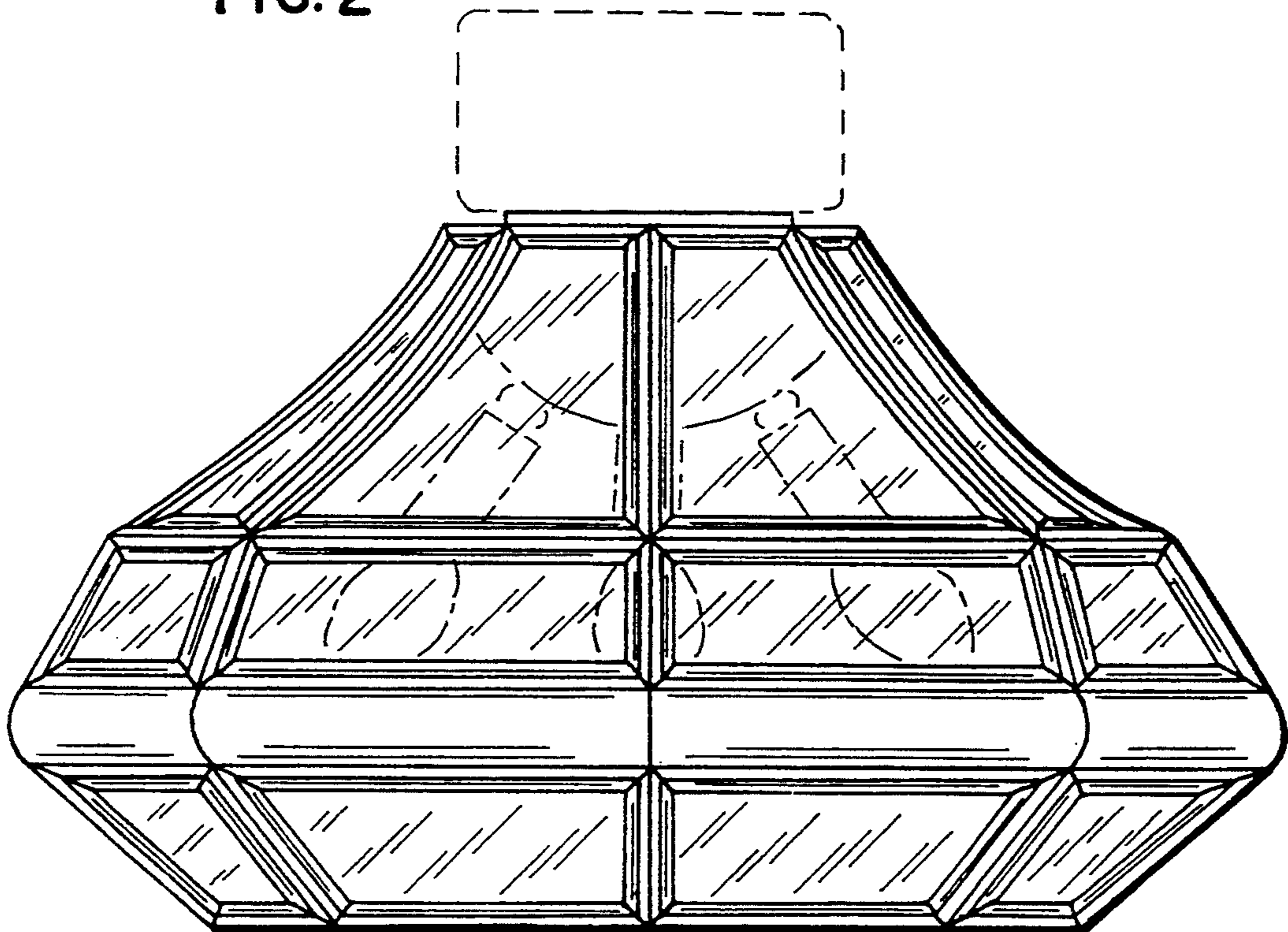


FIG. 3

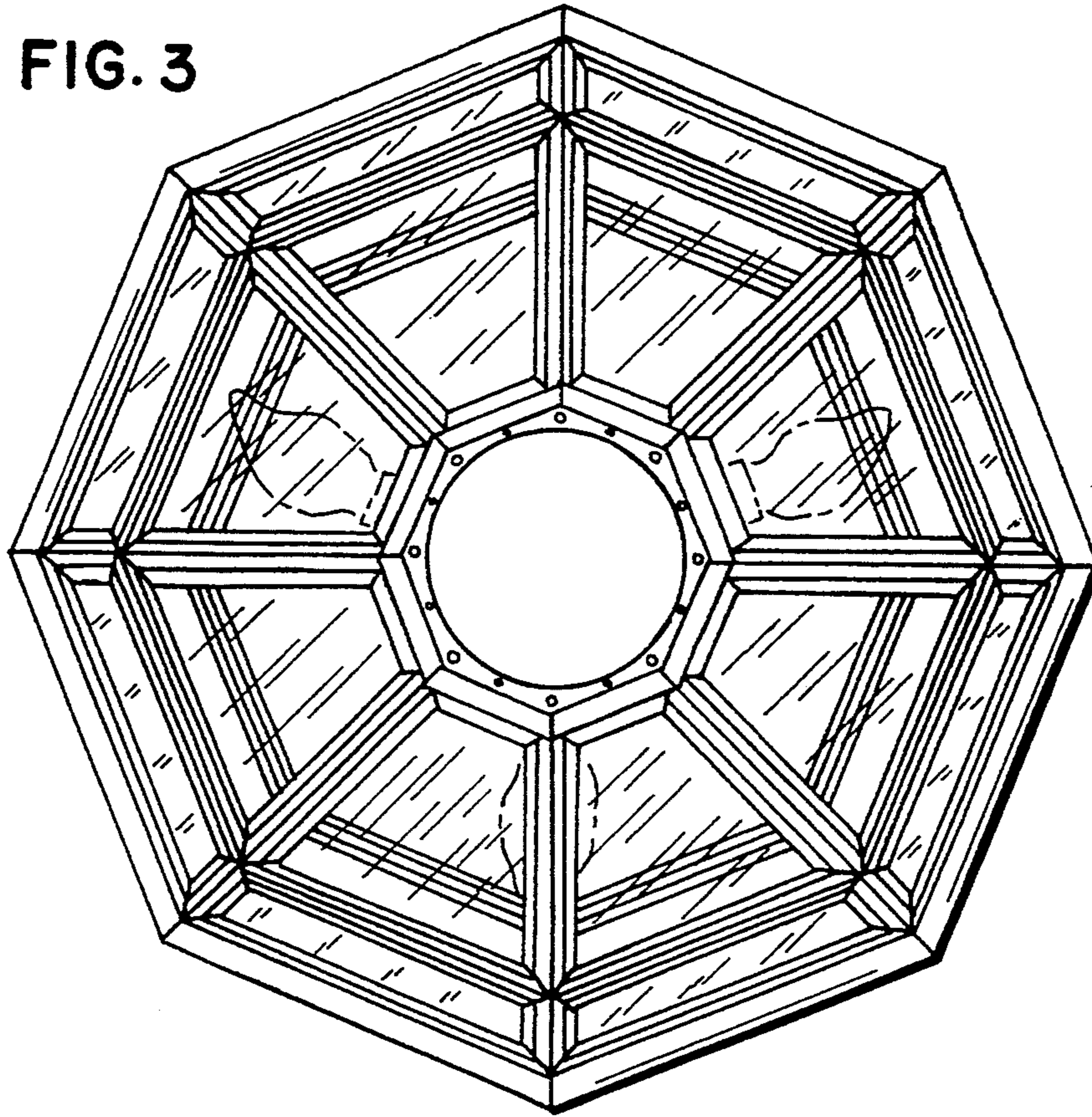


FIG. 4

