



US00D356175S

United States Patent [19]

Yau

[11] Patent Number: **Des. 356,175**

[45] Date of Patent: **** Mar. 7, 1995**

[54] FLASHLIGHT

[75] Inventor: **Kai C. A. Yau**, New Territories, Hong Kong

[73] Assignee: **World Hint Limited**, Kowloon, Hong Kong

[**] Term: **14 Years**

[21] Appl. No.: **14,570**

[22] Filed: **Oct. 25, 1993**

[30] **Foreign Application Priority Data**

Aug. 10, 1993 [GB] United Kingdom 2033056

[52] U.S. Cl. **D26/49**

[58] Field of Search D26/37-50; 362/157, 158, 183, 184, 187-191, 196-200, 202

[56] **References Cited**

U.S. PATENT DOCUMENTS

D. 344,811	3/1994	Garrity	D26/49
D. 349,354	8/1994	Yau	D26/49
4,800,472	1/1989	Burton et al.	362/158

Primary Examiner—Susan J. Lucas
Attorney, Agent, or Firm—Blakely, Sokoloff, Taylor & Zafman

[57] **CLAIM**

The ornamental design for flashlight, as shown and described.

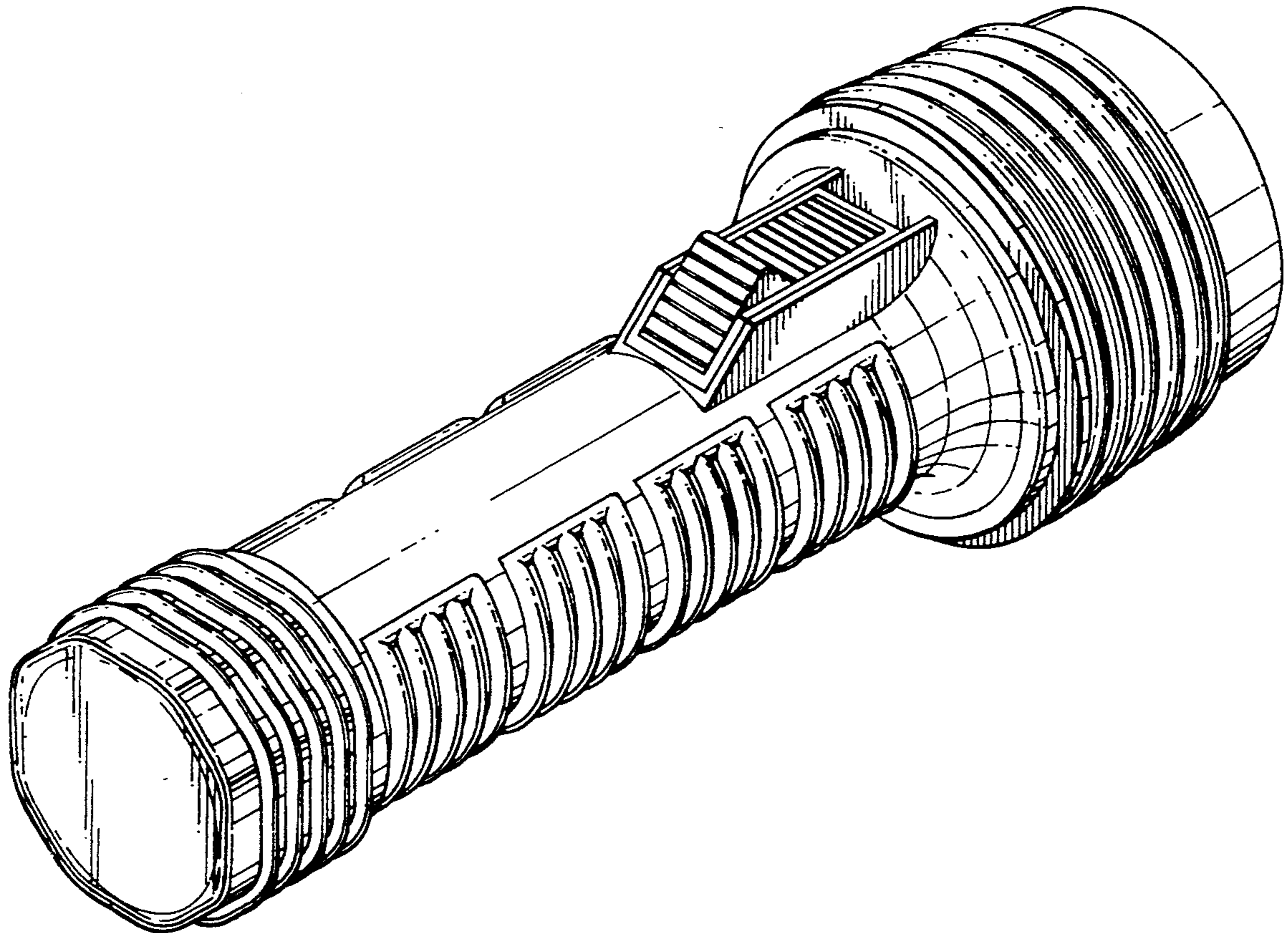
DESCRIPTION

FIG. 1 is a top, side perspective view of the rubber flashlight, the opposite side being a mirror image of the side shown;

FIG. 2 is a bottom plan view thereof;

FIG. 3 is a front elevational view thereof; and,

FIG. 4 is a rear elevational view thereof.



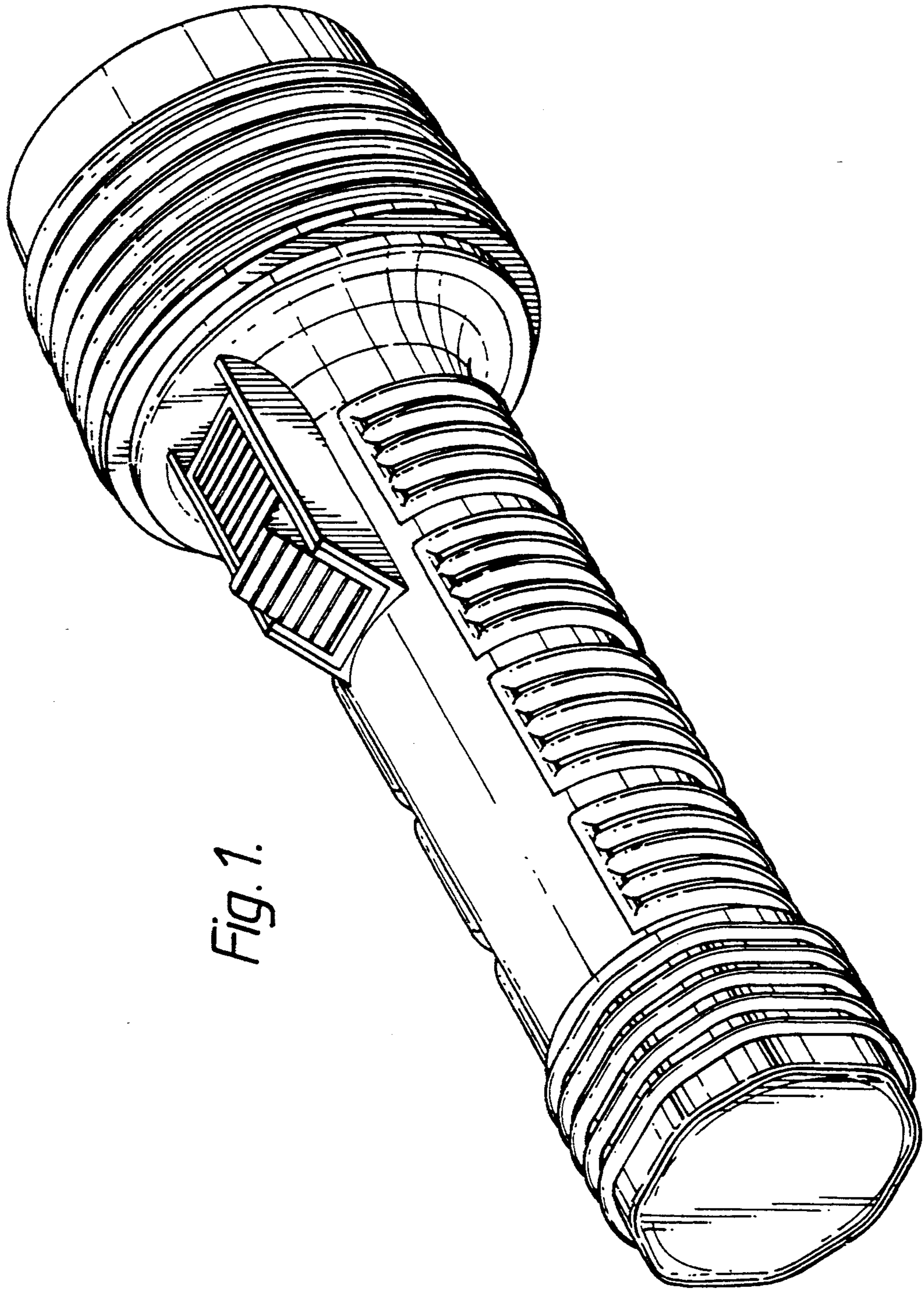


Fig. 1.

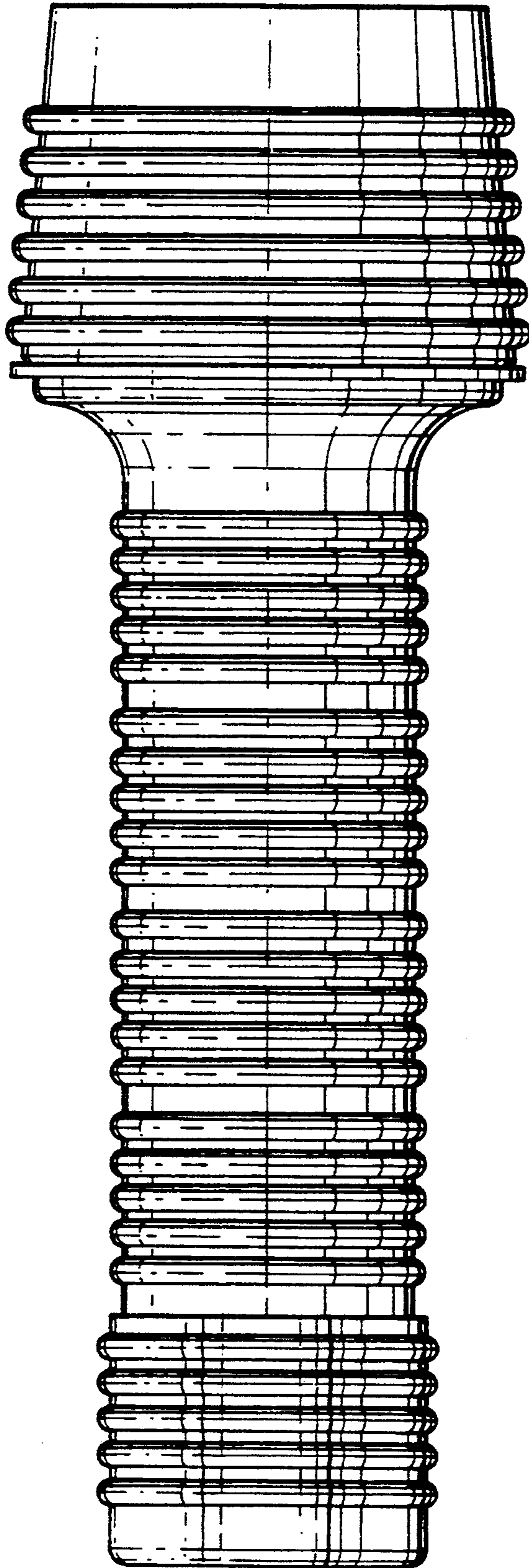


Fig. 2.

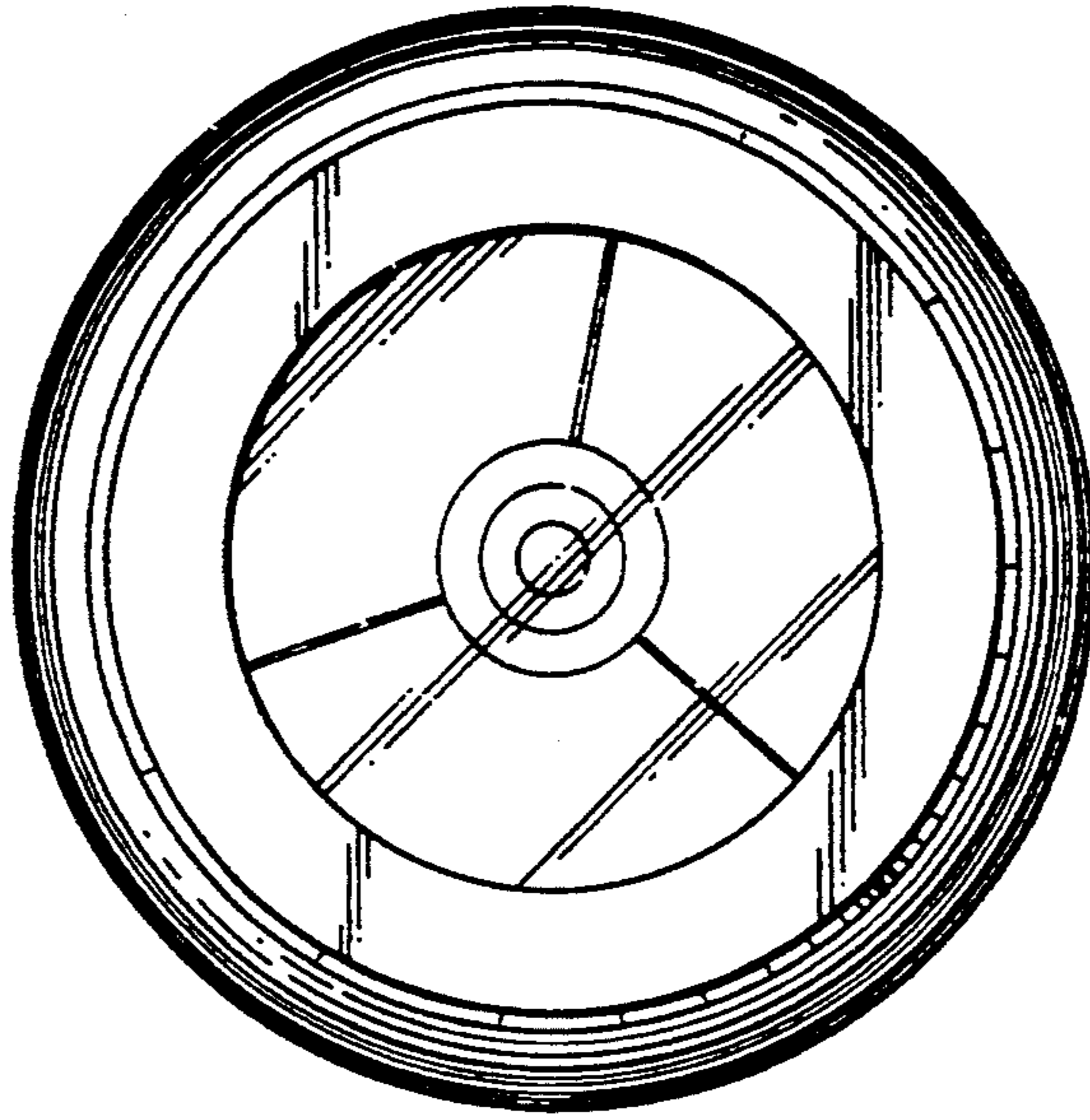


Fig.3.

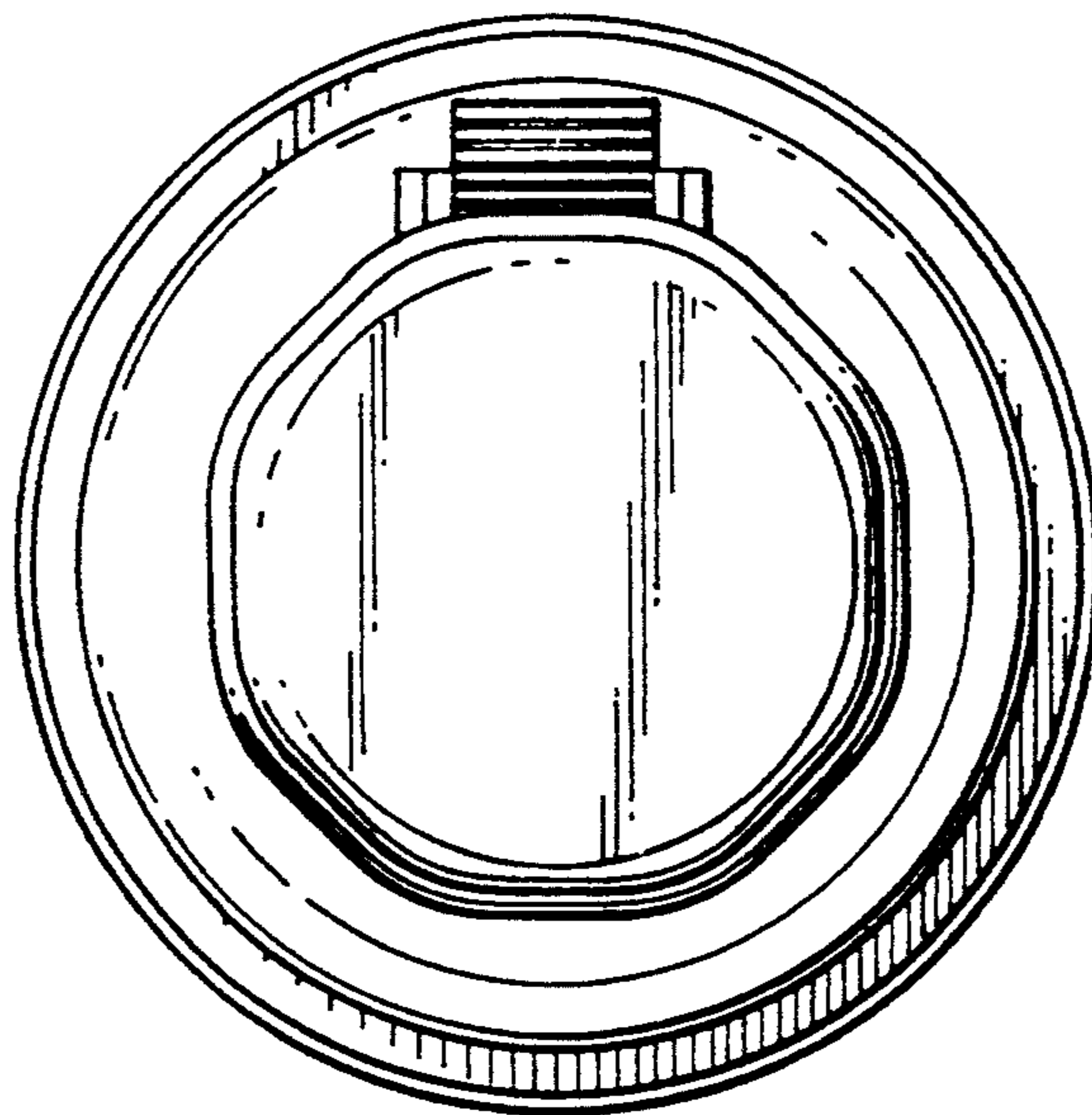


Fig.4.