



US00D356172S

United States Patent [19]

[11] Patent Number: **Des. 356,172**

Vance

[45] Date of Patent: **** Mar. 7, 1995**

[54] FLASHLIGHT

2,383,223	8/1945	Snyder	362/184
2,867,753	1/1959	Quandt	362/200 X
3,057,992	10/1962	Baker	362/200
3,787,677	1/1974	Molitor	362/200

[76] Inventor: **Dan Vance**, 9827 SW. 59th St.,
Portland, Oreg. 97219

[**] Term: **14 Years**

Primary Examiner—Susan J. Lucas

[21] Appl. No.: **873,041**

[57] **CLAIM**

[22] Filed: **Apr. 24, 1992**

The ornamental design for a flashlight, as shown and described.

[52] U.S. Cl. **D26/46**

[58] Field of Search **D26/37-50;**
362/157, 158, 183-200, 202, 205, 206, 208

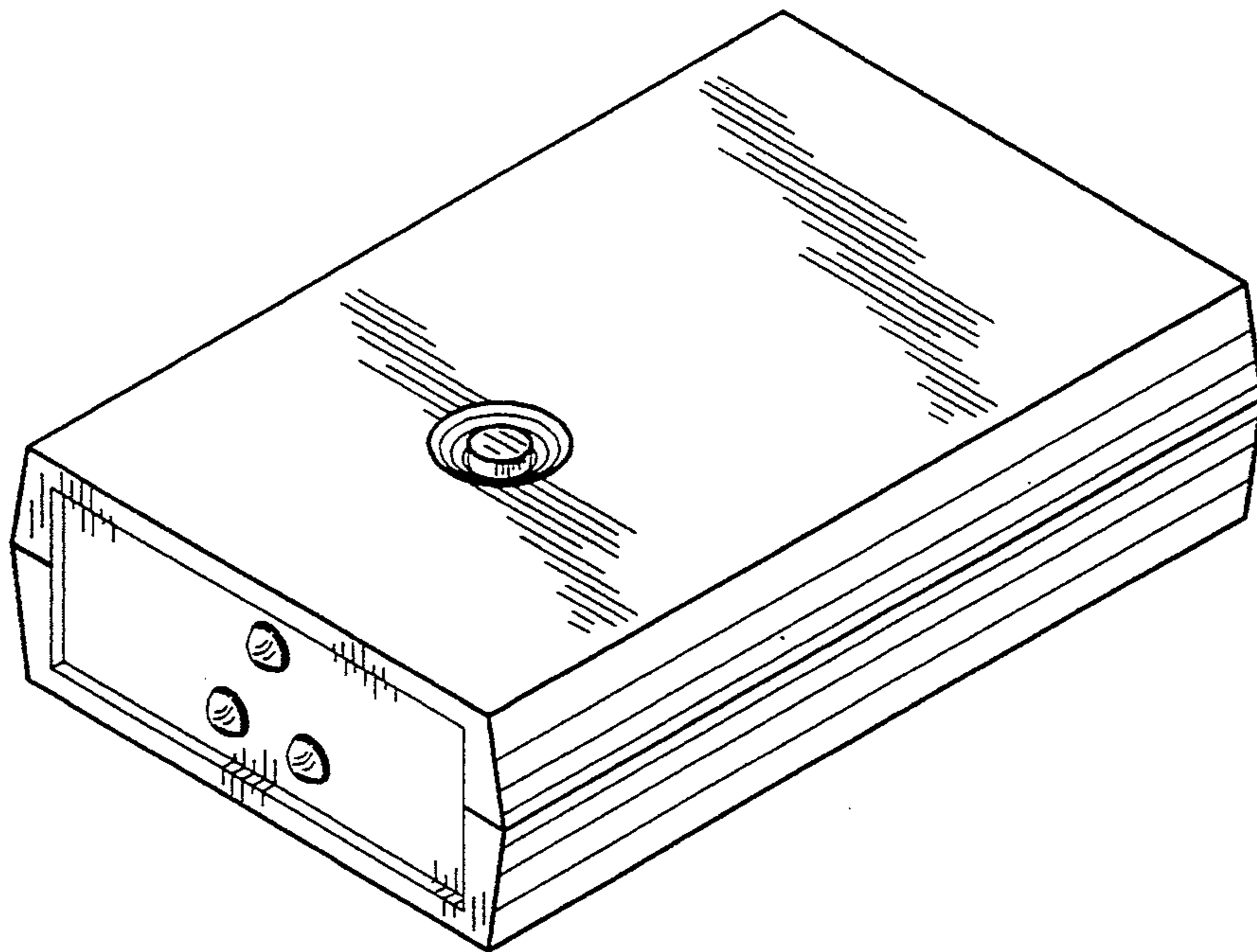
DESCRIPTION

[56] **References Cited**

U.S. PATENT DOCUMENTS

D. 277,415	1/1985	Berger	D26/46
1,392,163	9/1921	Hoffmann	362/200

FIG. 1 is a top plan view;
FIG. 2 is a front elevation view;
FIG. 3 is a right side elevation view thereof, the undisclosed left side elevation view is the same in appearance as the side shown; and,
FIG. 4 is a front perspective view.
The bottom and rear surfaces are flat and plain.



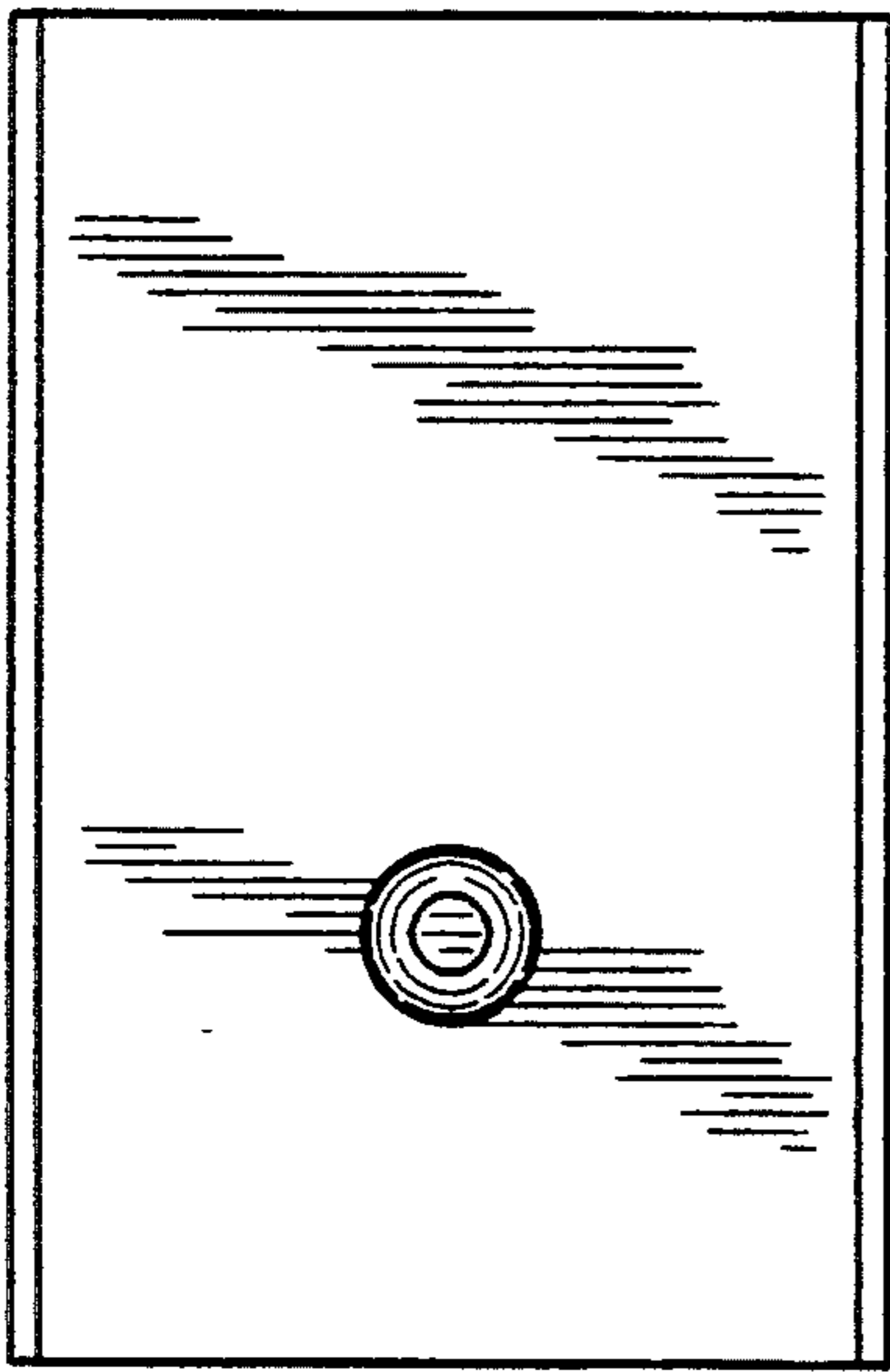


FIG. 1

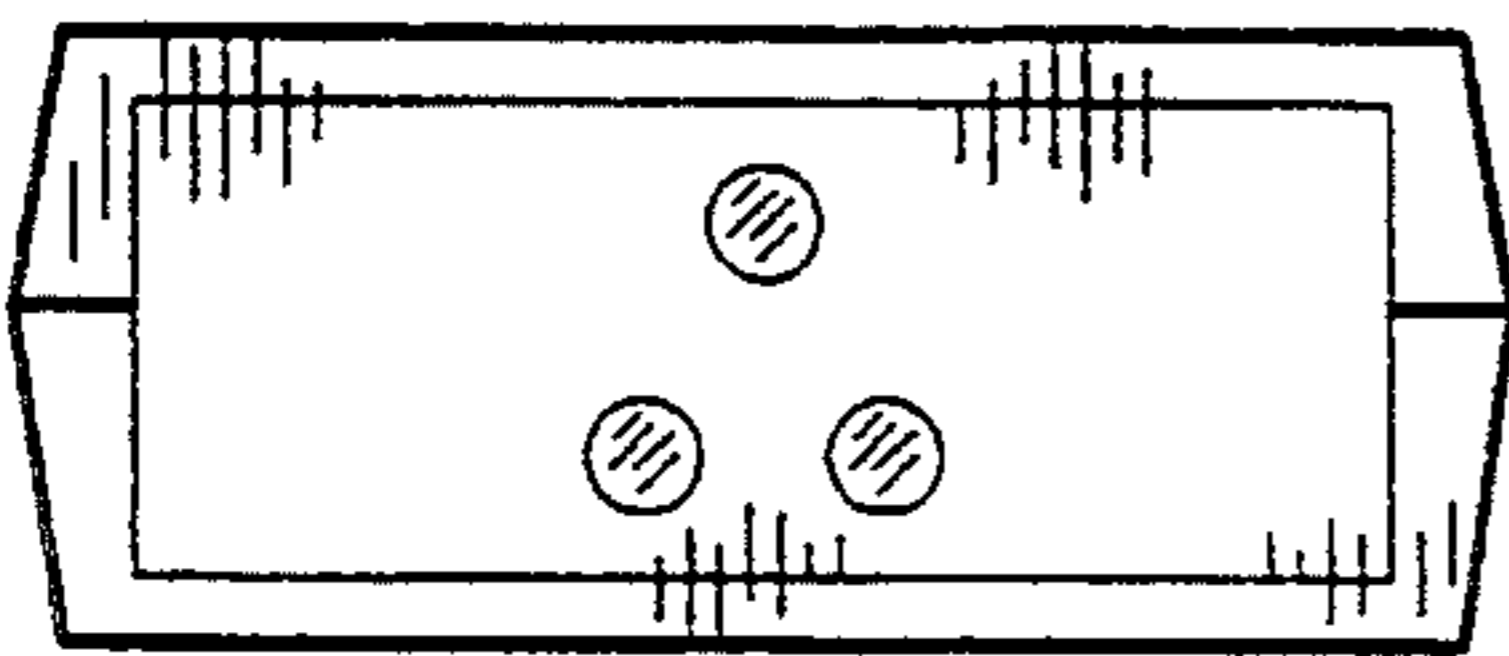


FIG. 2

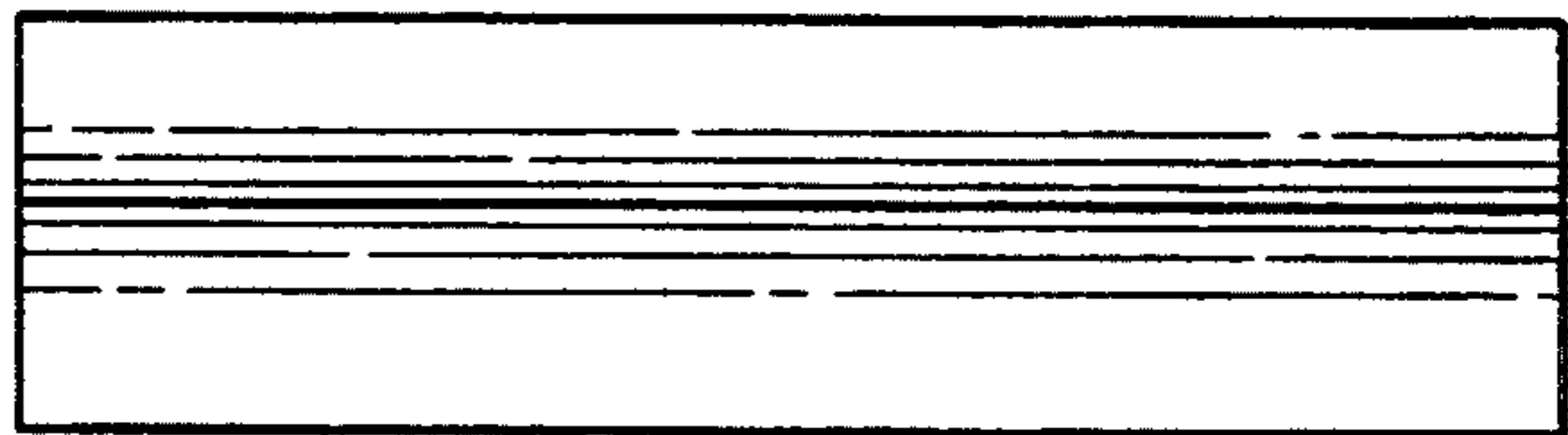


FIG. 3

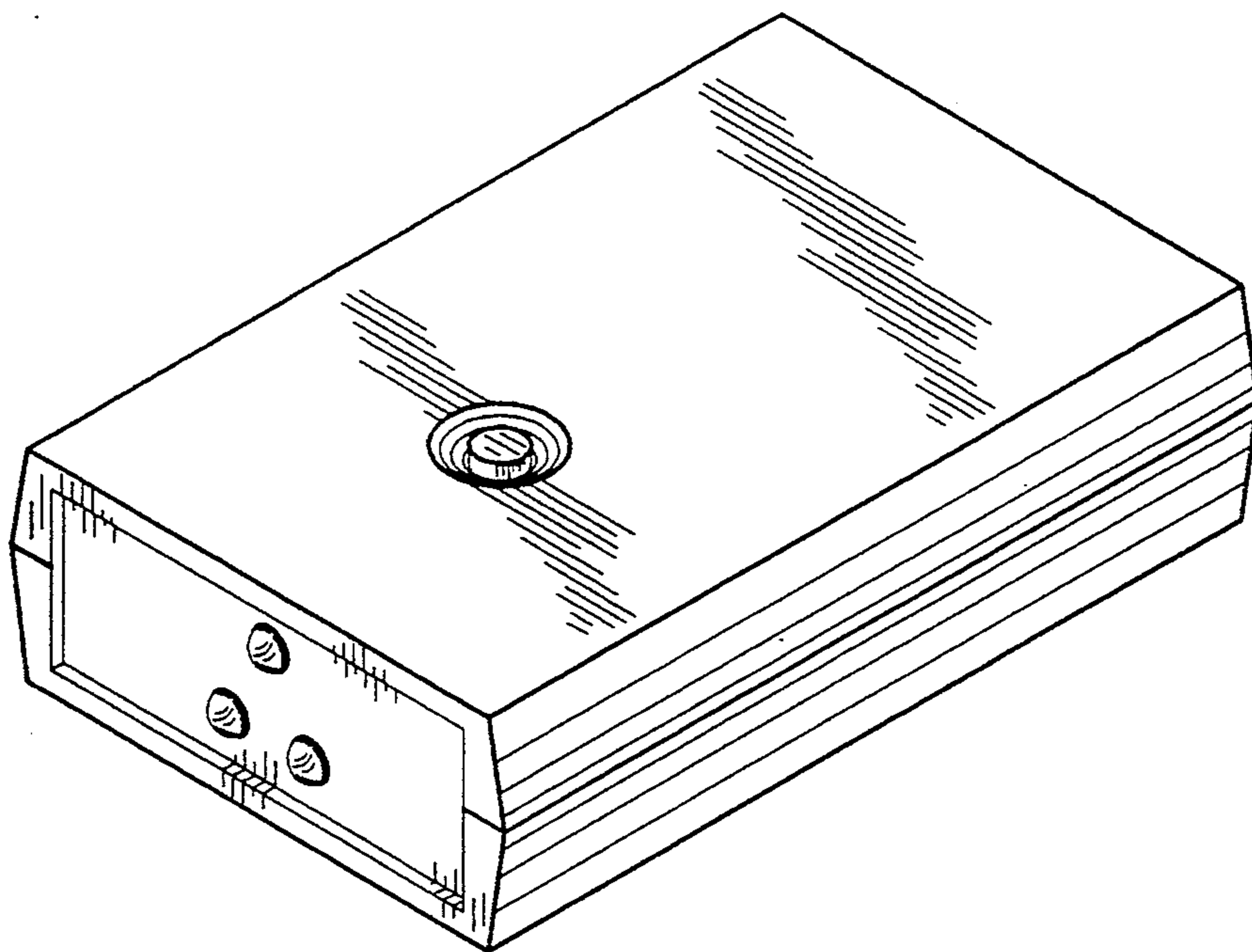


FIG. 4