



US00D356168S

United States Patent [19]

[11] Patent Number: **Des. 356,168**

Wang

[45] Date of Patent: **** Mar. 7, 1995**

[54] NIGHT LIGHT

[56] References Cited

[76] Inventor: **Paul S. Wang, 22428 Steeple Chase La., Diamond Bar, Calif. 91765**

U.S. PATENT DOCUMENTS

D. 113,719 3/1939 Wooga D26/41
4,539,631 9/1985 Lieberman 362/806 X

[**] Term: **14 Years**

Primary Examiner—Susan J. Lucas
Assistant Examiner—Cynthia E. Ramirez

[57] CLAIM

The ornamental design for a night light, as shown.

[21] Appl. No.: **11,209**

DESCRIPTION

[22] Filed: **Jul. 30, 1993**

[52] U.S. Cl. **D26/26; D26/87**

[58] Field of Search **D26/26, 118, 119, 128, D26/130, 87, 92; 362/226, 806, 808**

FIG. 1 is a perspective view of my new design take from above;

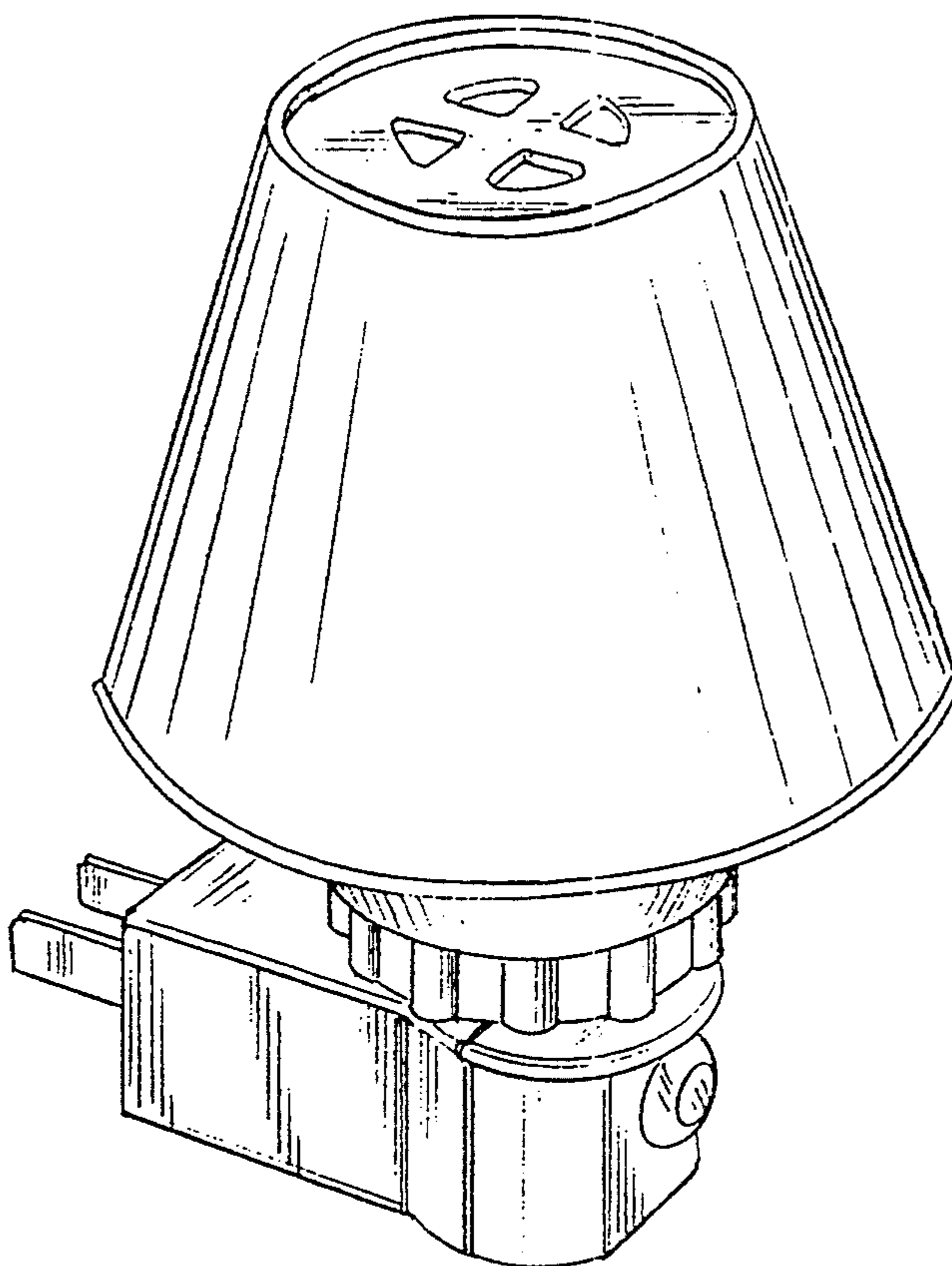
FIG. 2 is a right side view of my new design;

FIG. 3 is a front view of my new design;

FIG. 4 is a rear view of my new design;

FIG. 5 is a top plan view of my new design; and,

FIG. 6 is a bottom view of my new design.



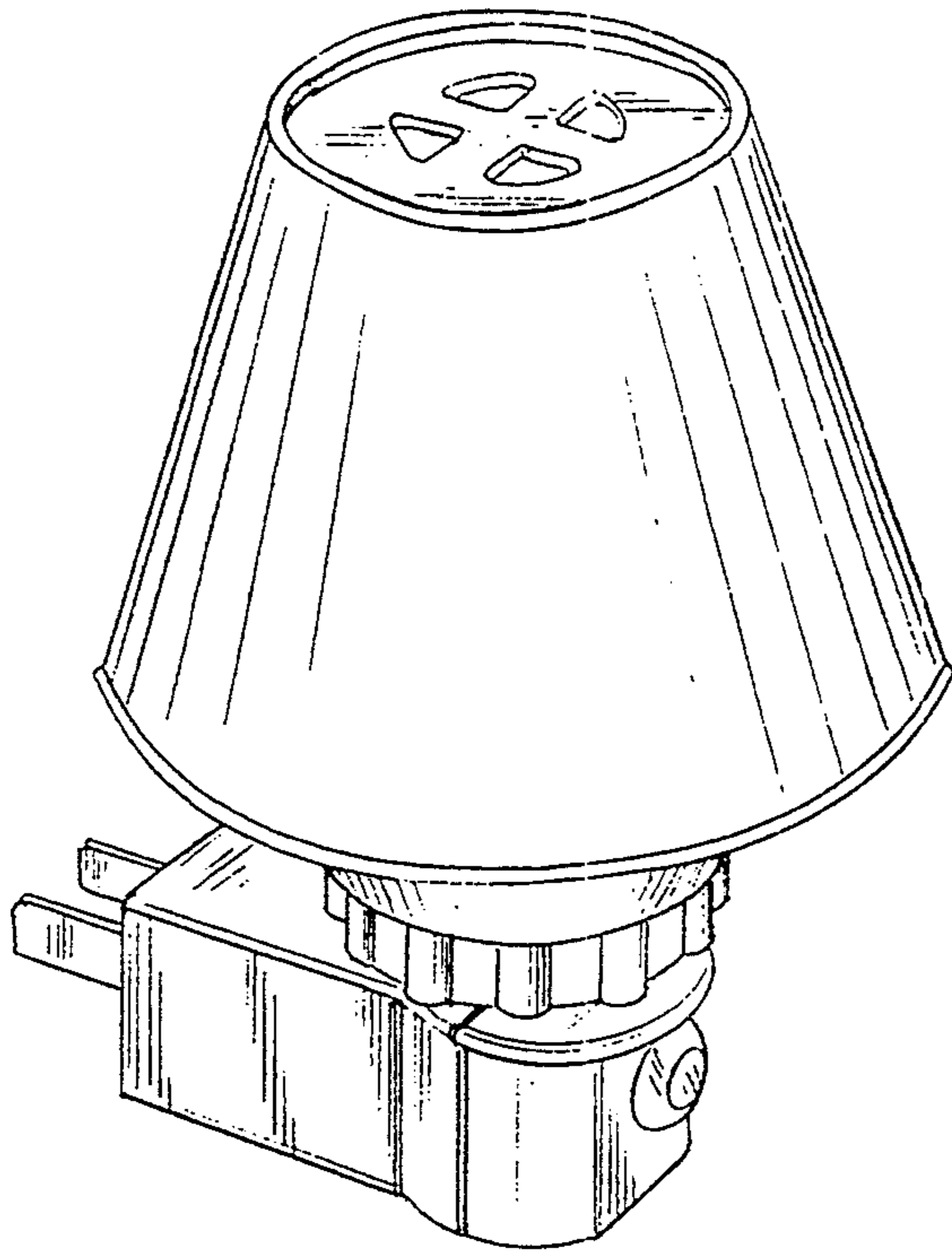


FIG. 1

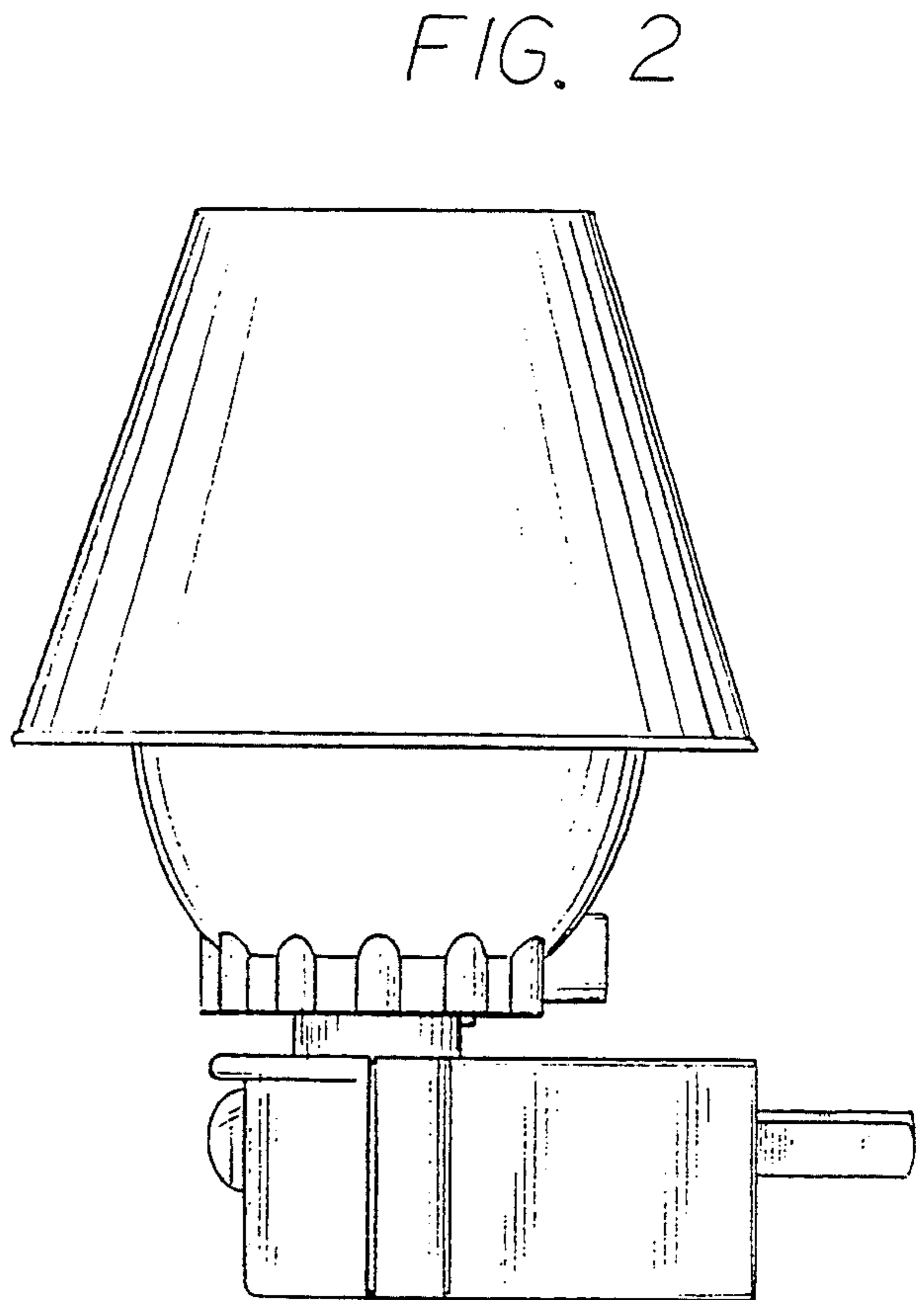


FIG. 2

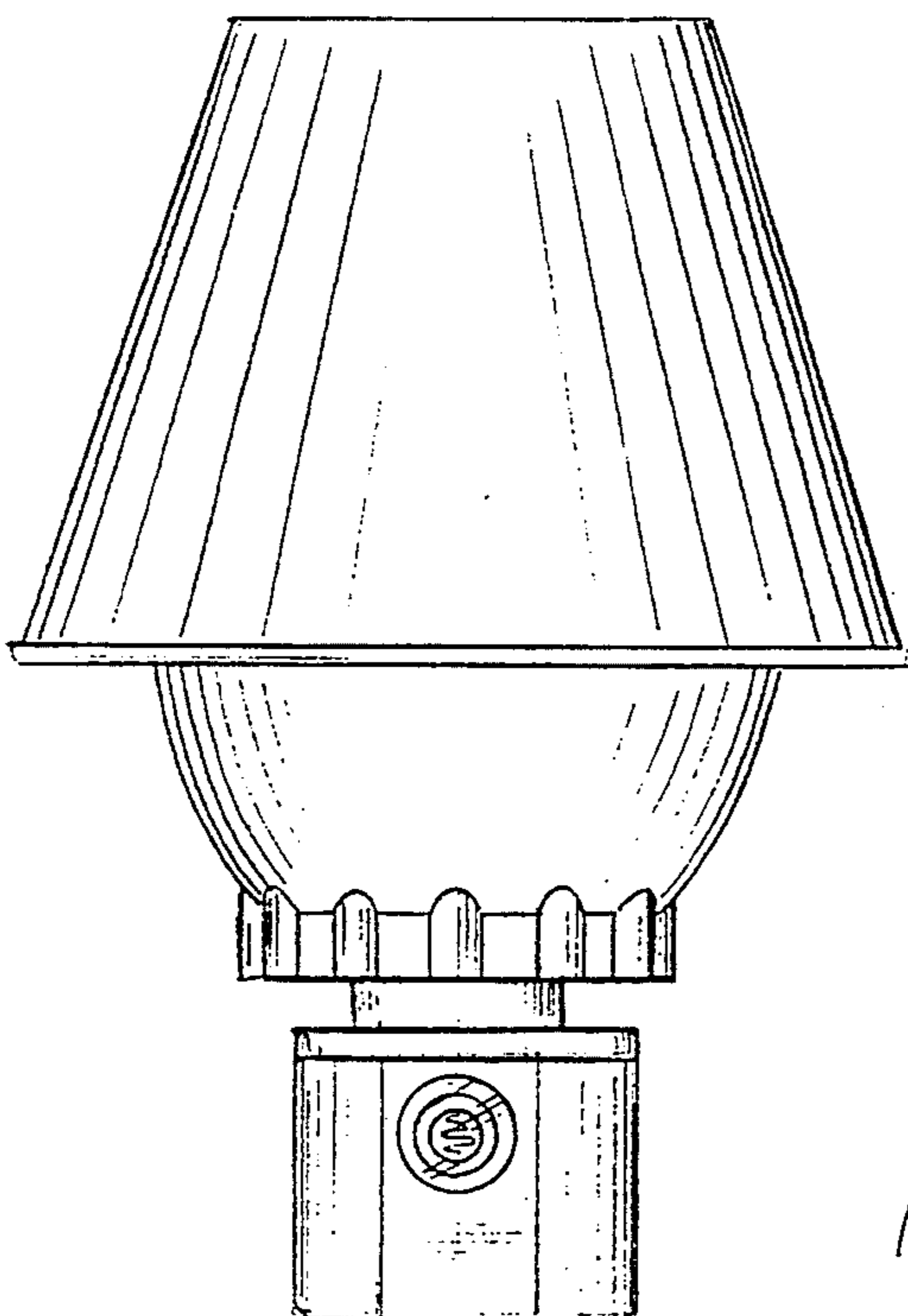


FIG. 3

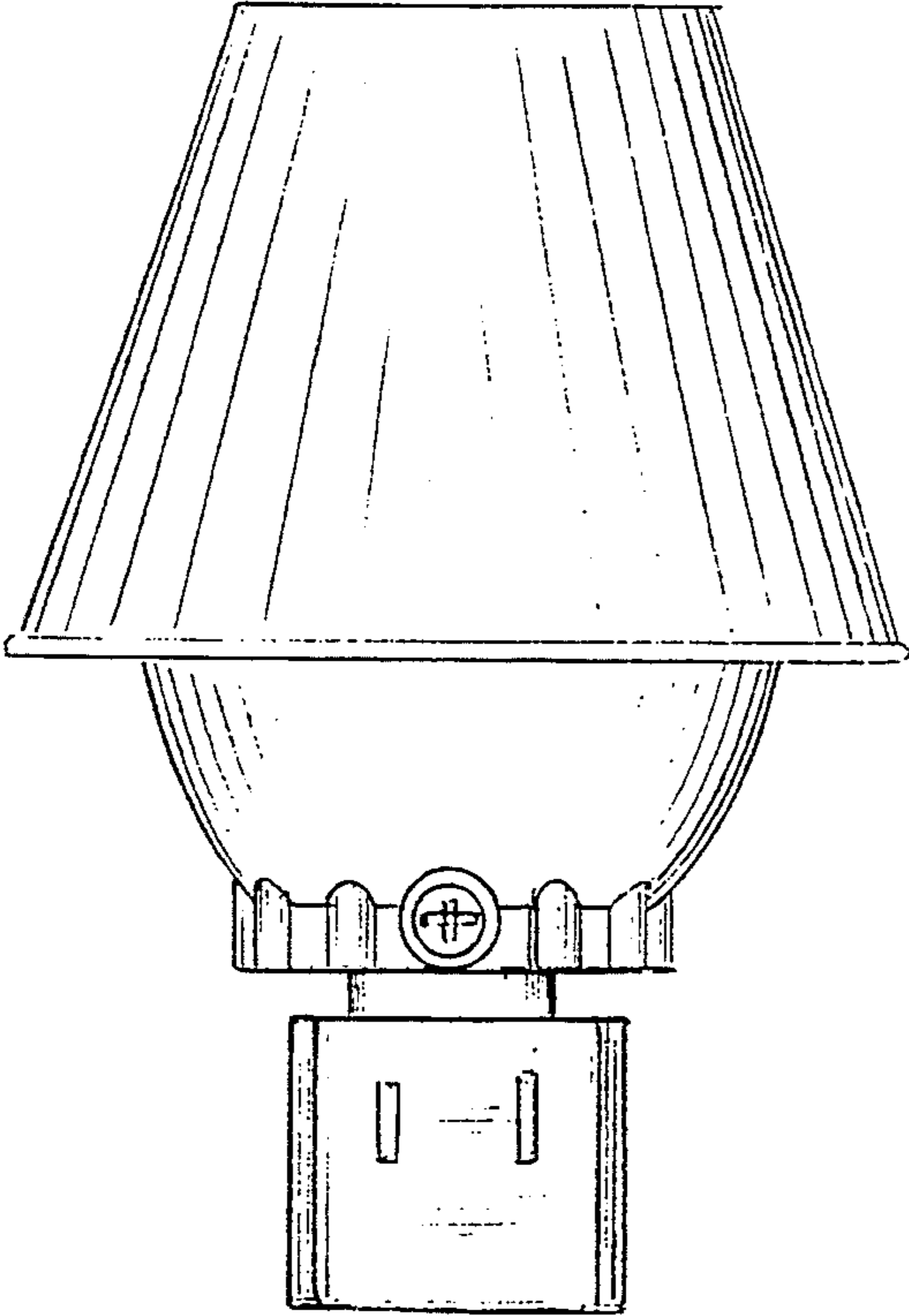


FIG. 4

FIG. 5

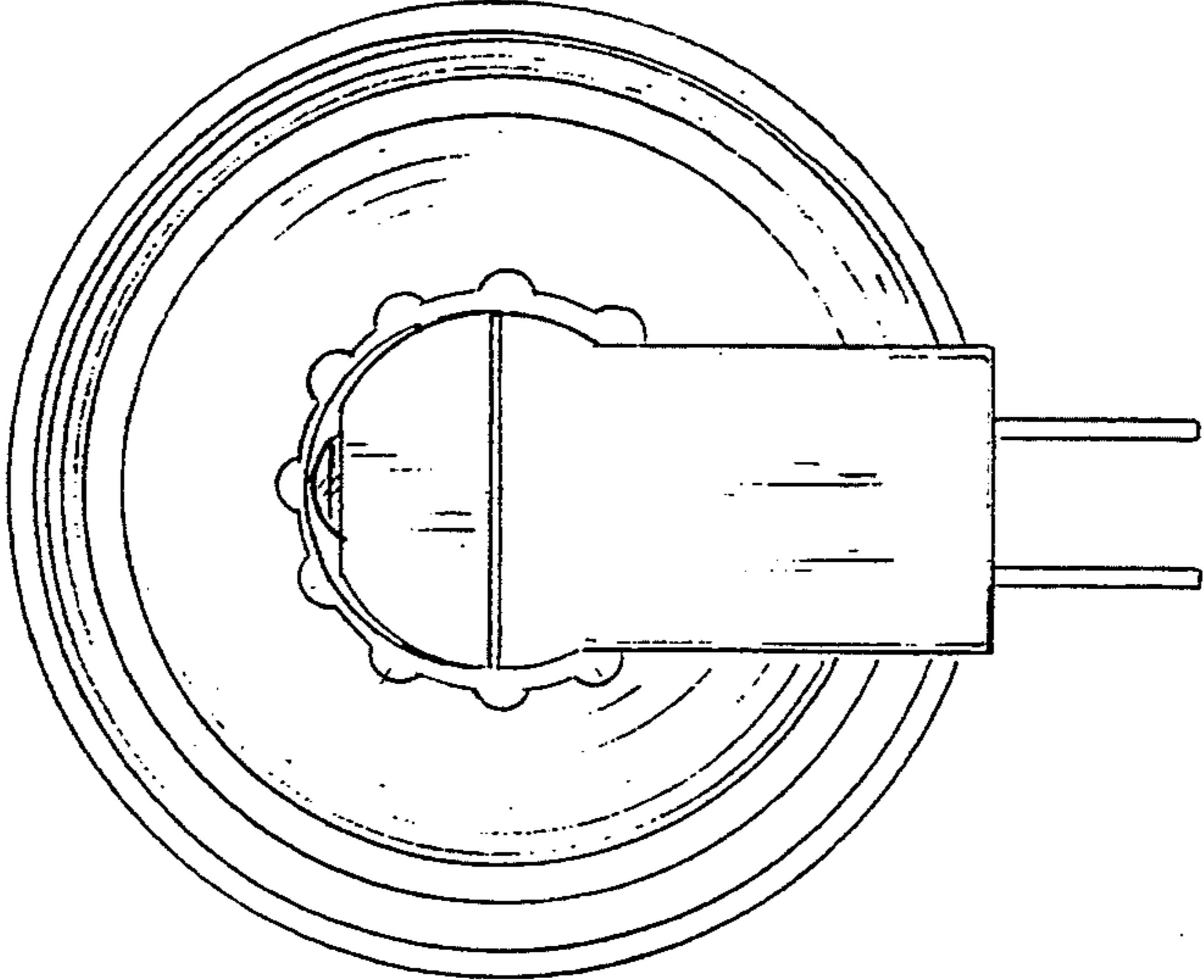
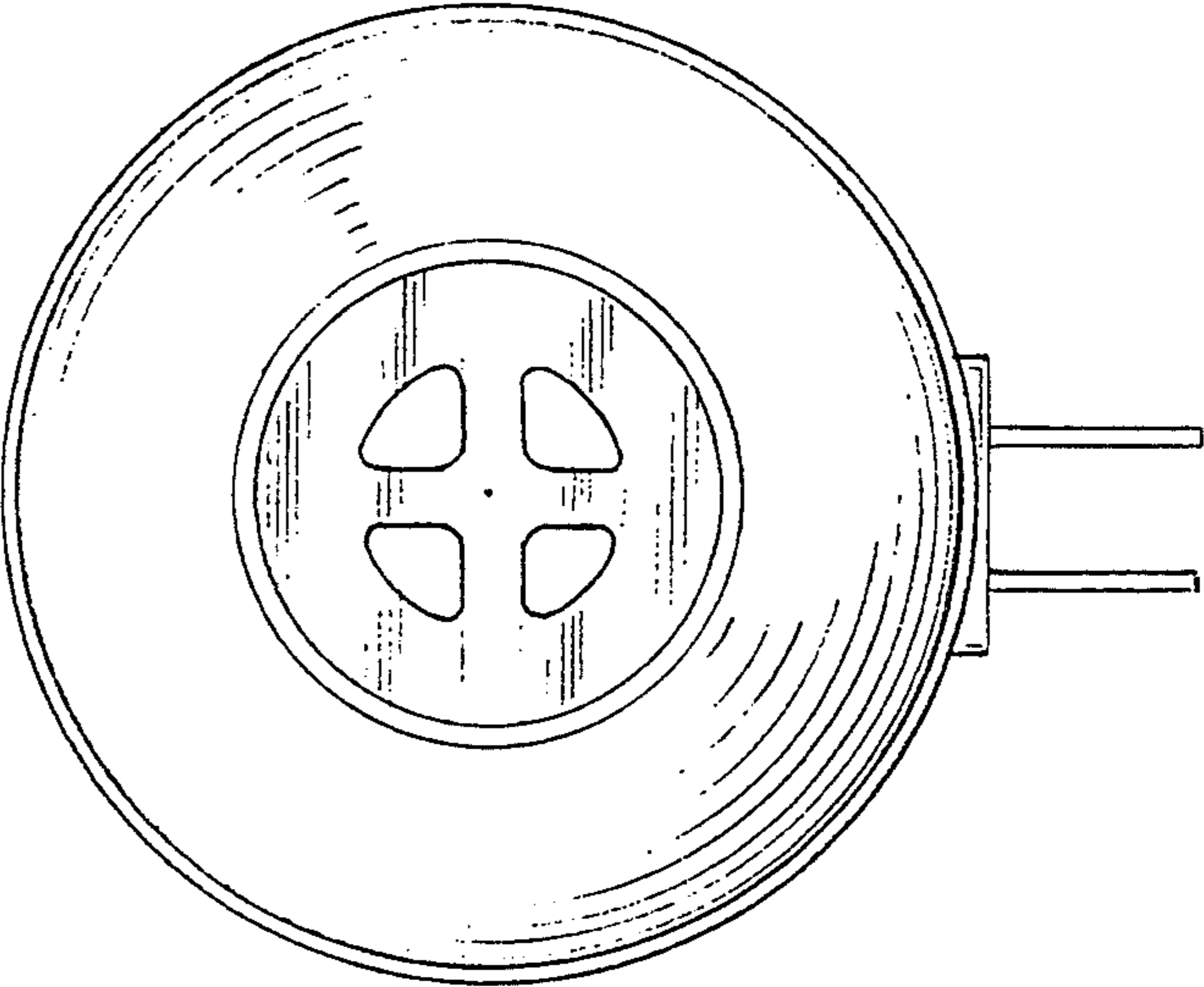


FIG. 6