



US00D356165S

United States Patent [19]

[11] Patent Number: **Des. 356,165**

Cassidy

[45] Date of Patent: **** Mar. 7, 1995**

[54] LADDER ACCESSORY

[56] References Cited

[75] Inventor: **Martin T. Cassidy**, Morayfield, Australia

U.S. PATENT DOCUMENTS

D. 304,084 10/1989 Meng D25/68
4,560,127 12/1985 Ippolito 248/210
4,706,918 11/1987 Wilson 182/129

[73] Assignee: **Catherine C. Cassidy**, Morayfield, Australia

Primary Examiner—Doris Clark
Attorney, Agent, or Firm—Hoffman, Wasson & Gitler

[**] Term: **14 Years**

[57] CLAIM

The ornamental design for a ladder accessory, as shown.

[21] Appl. No.: **16,337**

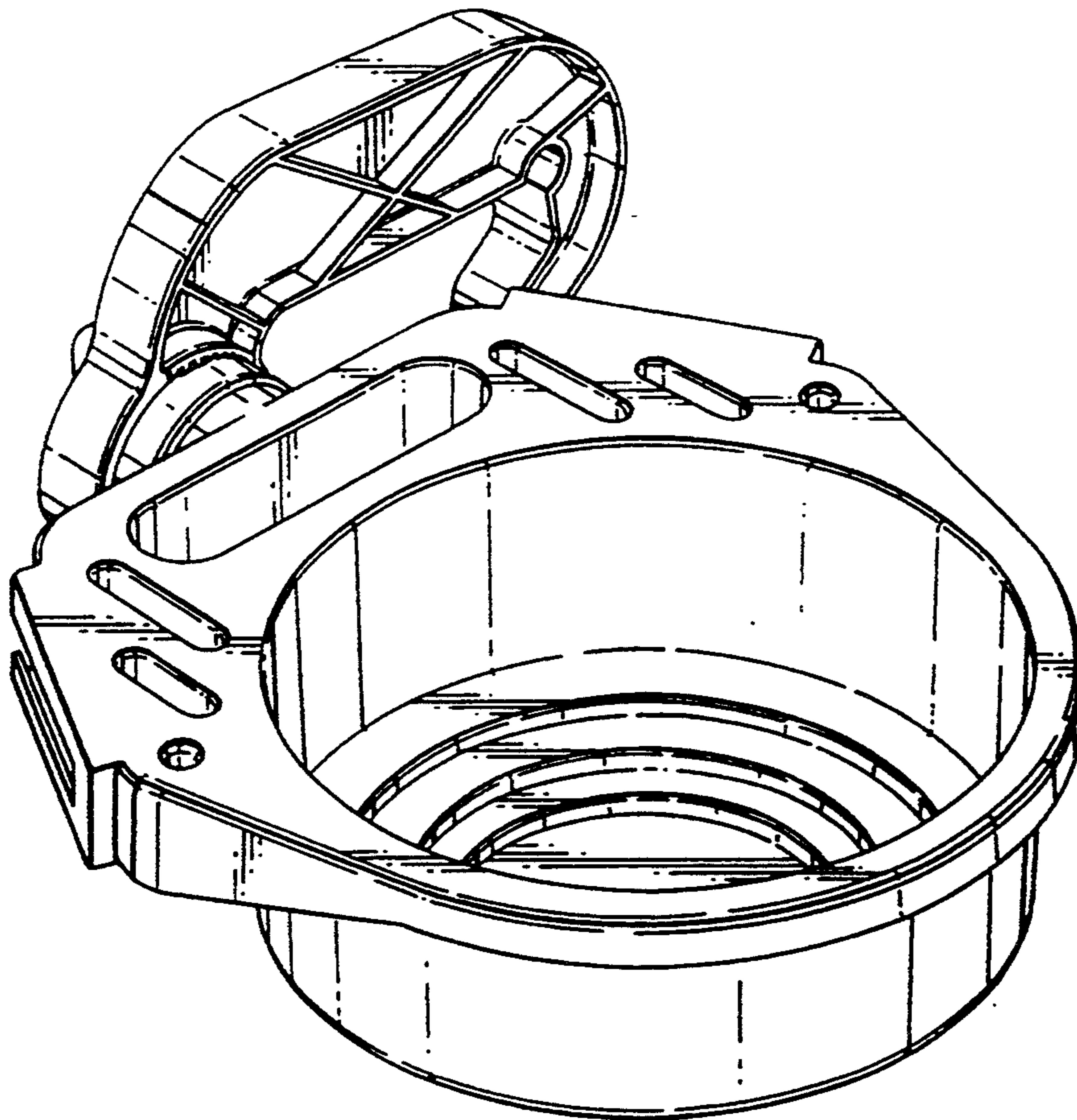
DESCRIPTION

[22] Filed: **Dec. 14, 1993**

[52] U.S. Cl. **D25/68**

[58] Field of Search D25/68; 248/210, 238; 182/129

FIG. 1 is a front perspective view from above and one side, showing my new design;
FIG. 2 is a view of other side;
FIG. 3 is a view from below; and,
FIG. 4 is a rear view.



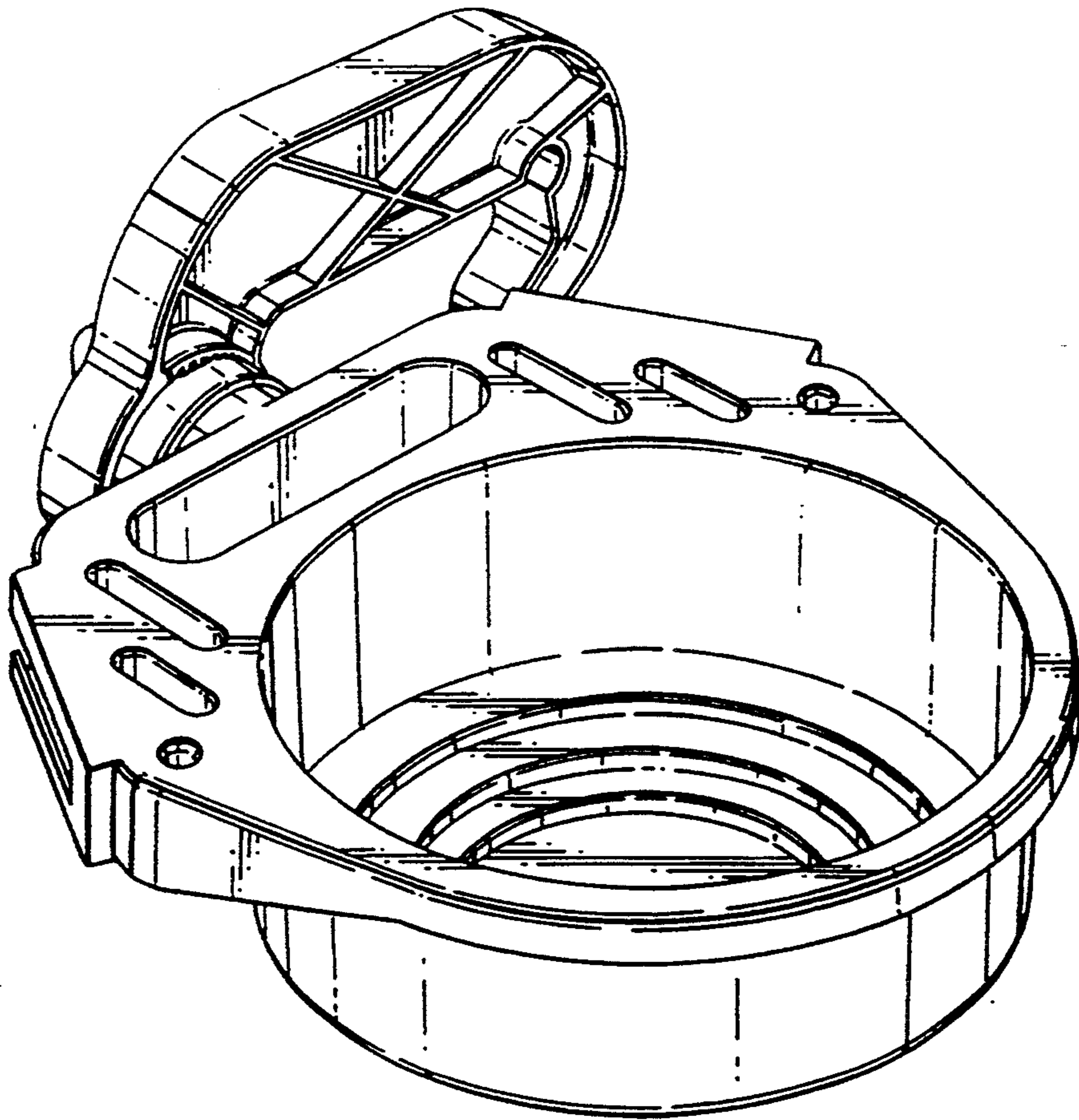


Fig. 1.

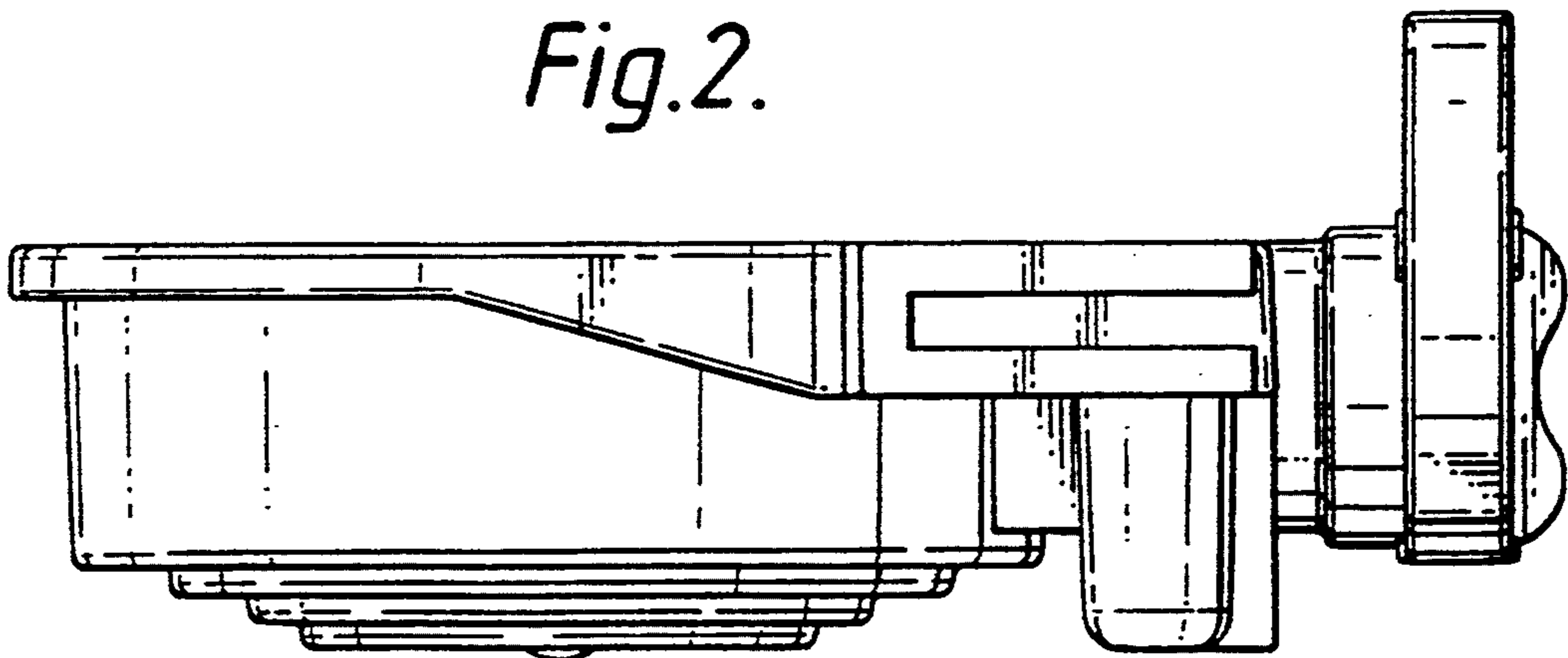


Fig. 2.

Fig.3.

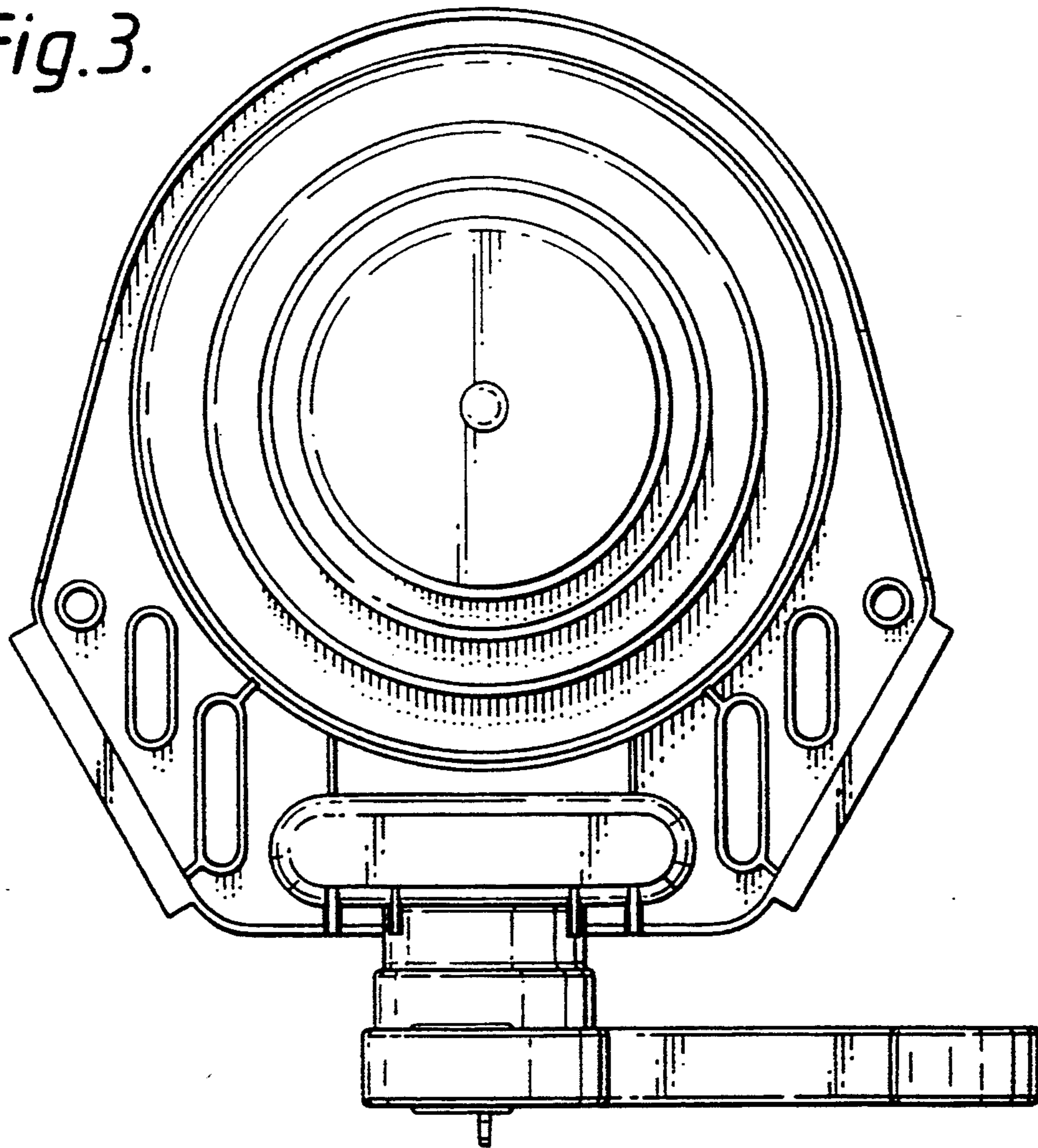


Fig.4.

