



US00D356164S

# United States Patent [19]

[11] Patent Number: **Des. 356,164**

Rinke

[45] Date of Patent: **\*\* Mar. 7, 1995**

[54] **POOL LADDER**

[57] **CLAIM**

[76] Inventor: **Robert M. Rinke, 1757 Thirty Fourth St. SW, Unit G, Fargo, N. Dak. 58104**

The ornamental design for a pool ladder, as shown and described.

[\*\*] Term: **14 Years**

### DESCRIPTION

[21] Appl. No.: **16,430**

FIG. 1 is a top perspective view of the pool ladder showing a first embodiment;

[22] Filed: **Dec. 16, 1993**

FIG. 2 is a side elevation view of the pool ladder showing a first embodiment;

[52] U.S. Cl. .... **D25/64**

FIG. 3 is a top plan view of the pool ladder showing the first embodiment;

[58] Field of Search ..... **D25/2, 62, 64; 182/106, 182/115, 116, 17, 93, 91, 97, 178, 179; 52/299**

FIG. 4 is a top perspective view of the pool ladder showing a second embodiment;

FIG. 5 is a side elevation view of the pool ladder showing the second embodiment;

[56] **References Cited**

### U.S. PATENT DOCUMENTS

D. 244,093	4/1977	Gamon .....	D25/64
2,798,652	7/1957	Easton .....	182/17
3,023,832	3/1962	Silverman .....	182/93
3,698,511	10/1972	Dohan .....	182/178
4,418,792	12/1983	Cerone .....	182/106
4,823,529	4/1989	Canfield et al. ....	52/299

FIG. 6 is a top plan view of the pool ladder showing the second embodiment;

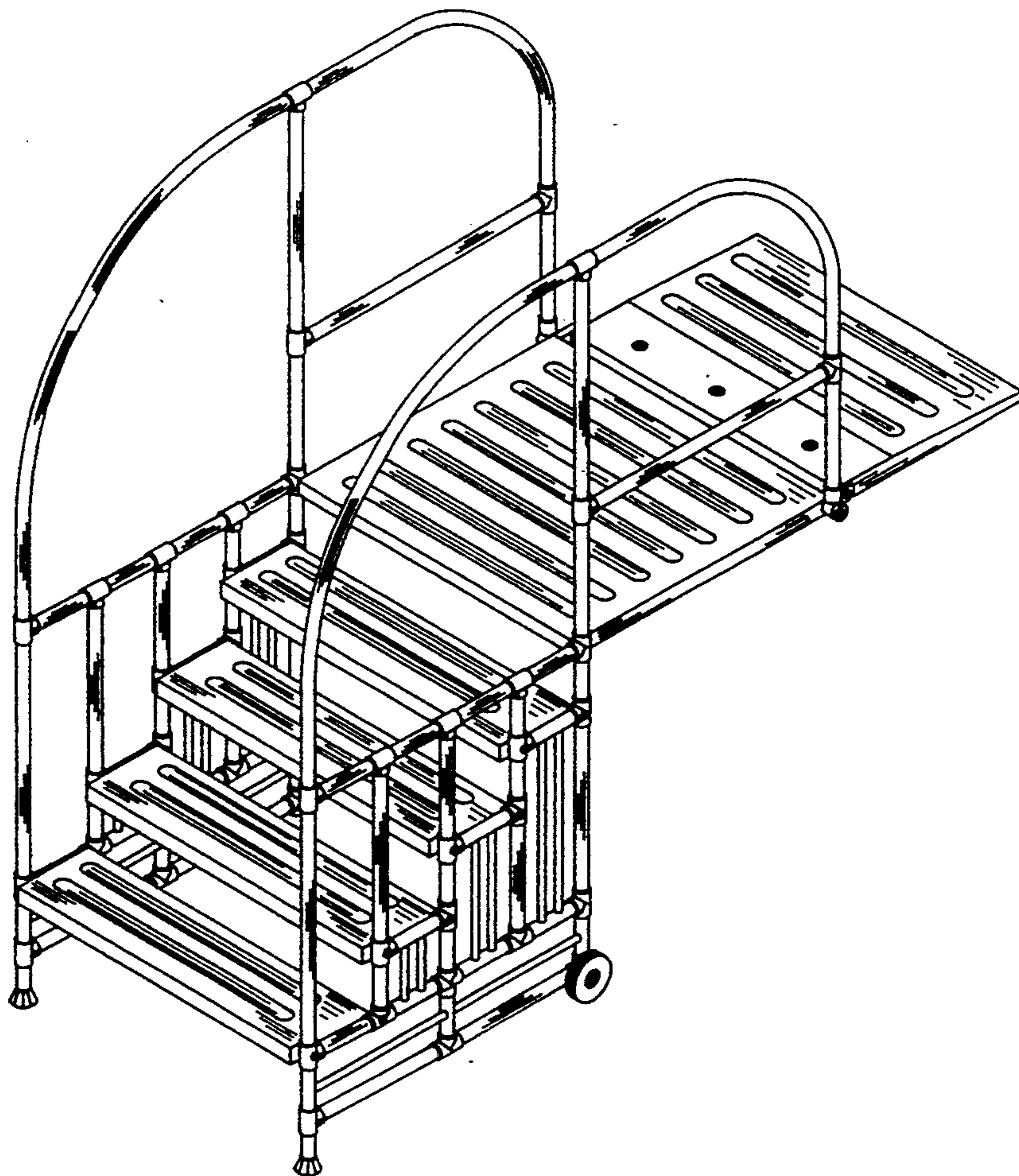
FIG. 7 is a top perspective view of the pool ladder showing a third embodiment;

FIG. 8 is a side elevation view of the pool ladder showing the third embodiment; and,

FIG. 9 is a top plan view of the pool ladder showing the third embodiment.

Primary Examiner—Doris Clark  
Attorney, Agent, or Firm—David A. Lingbeck

The bottom of the steps and the platform in each embodiment of the pool ladder are plain and unornamented.



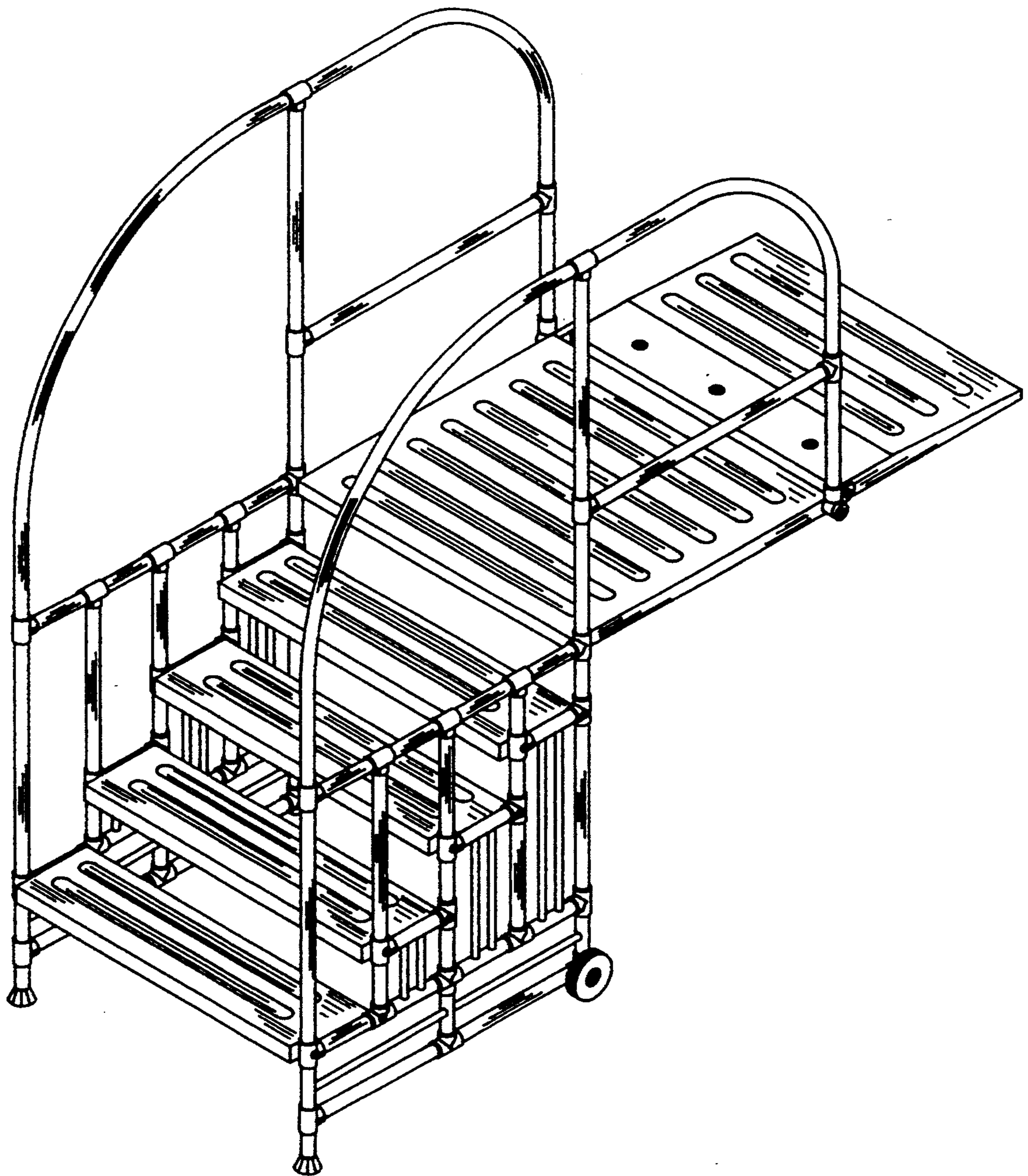


FIG. 1

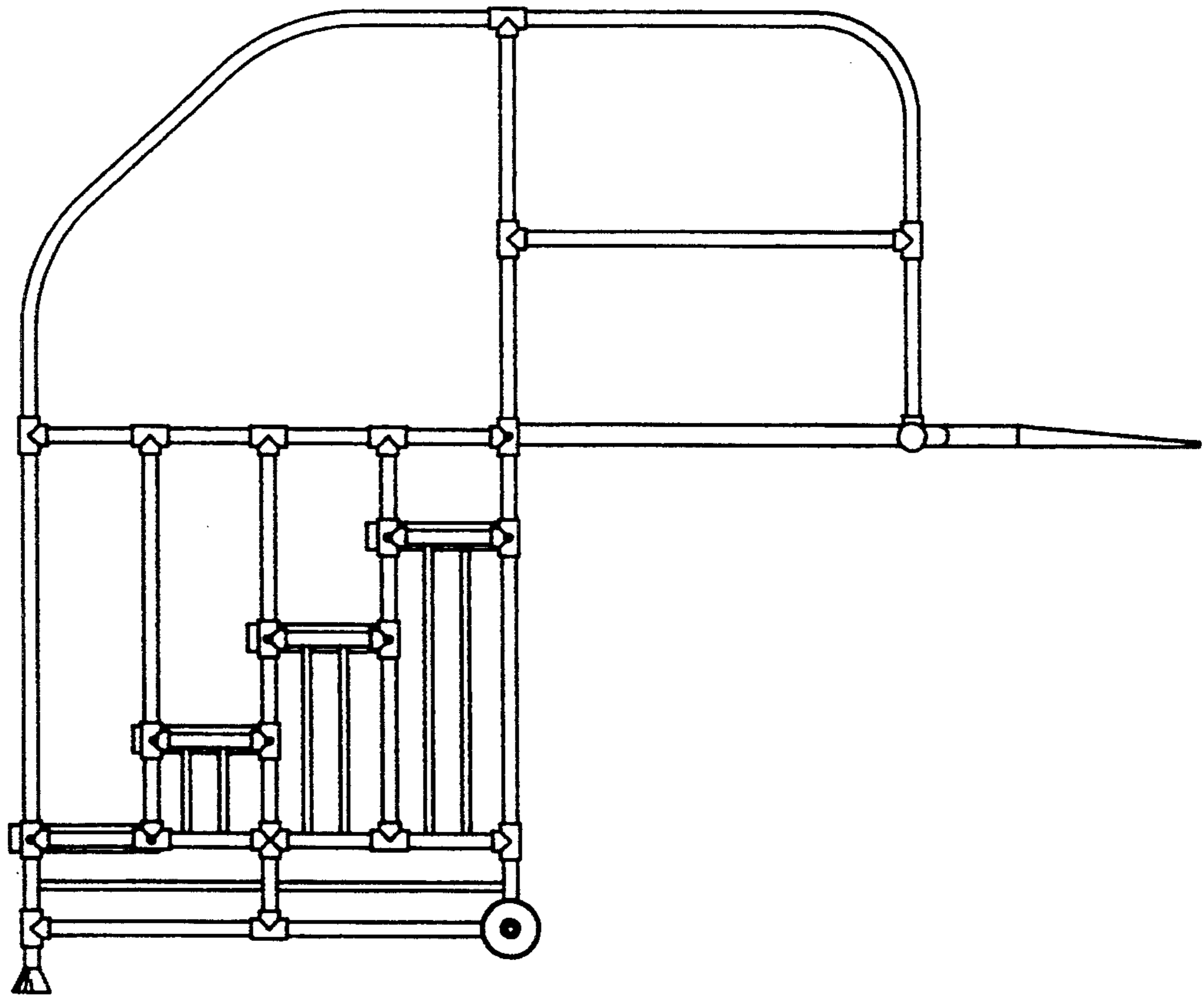


FIG. 2

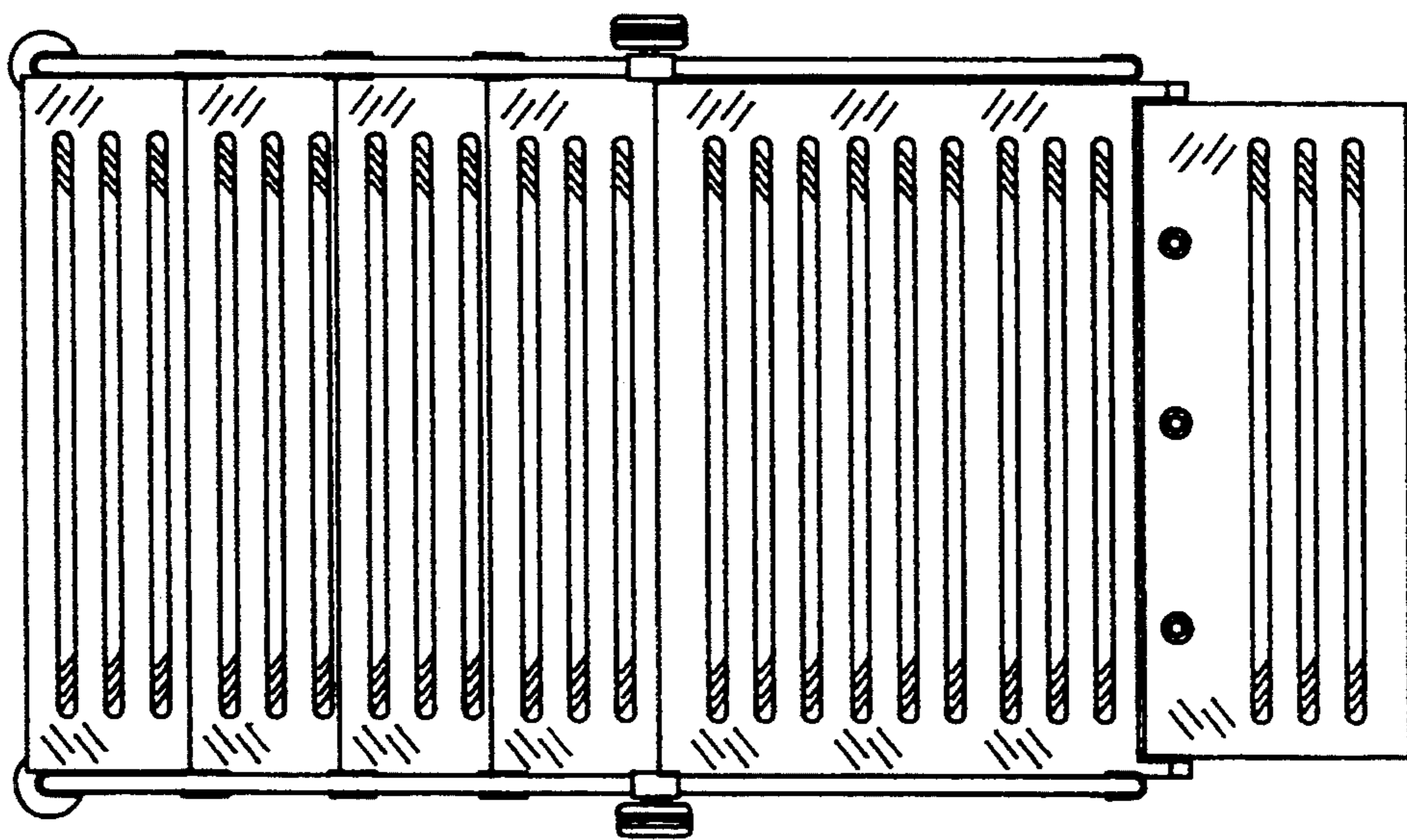


FIG. 3

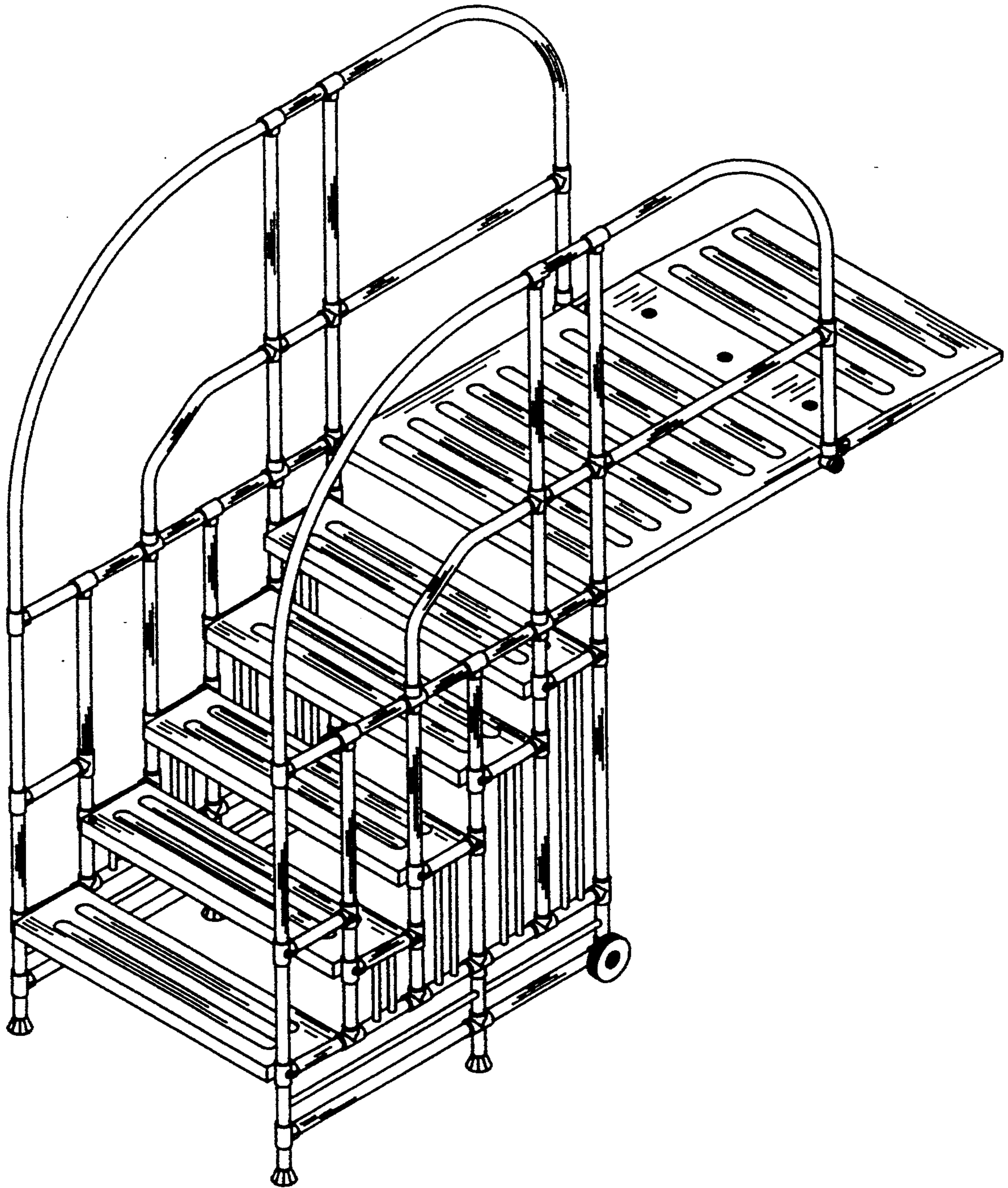


FIG. 4

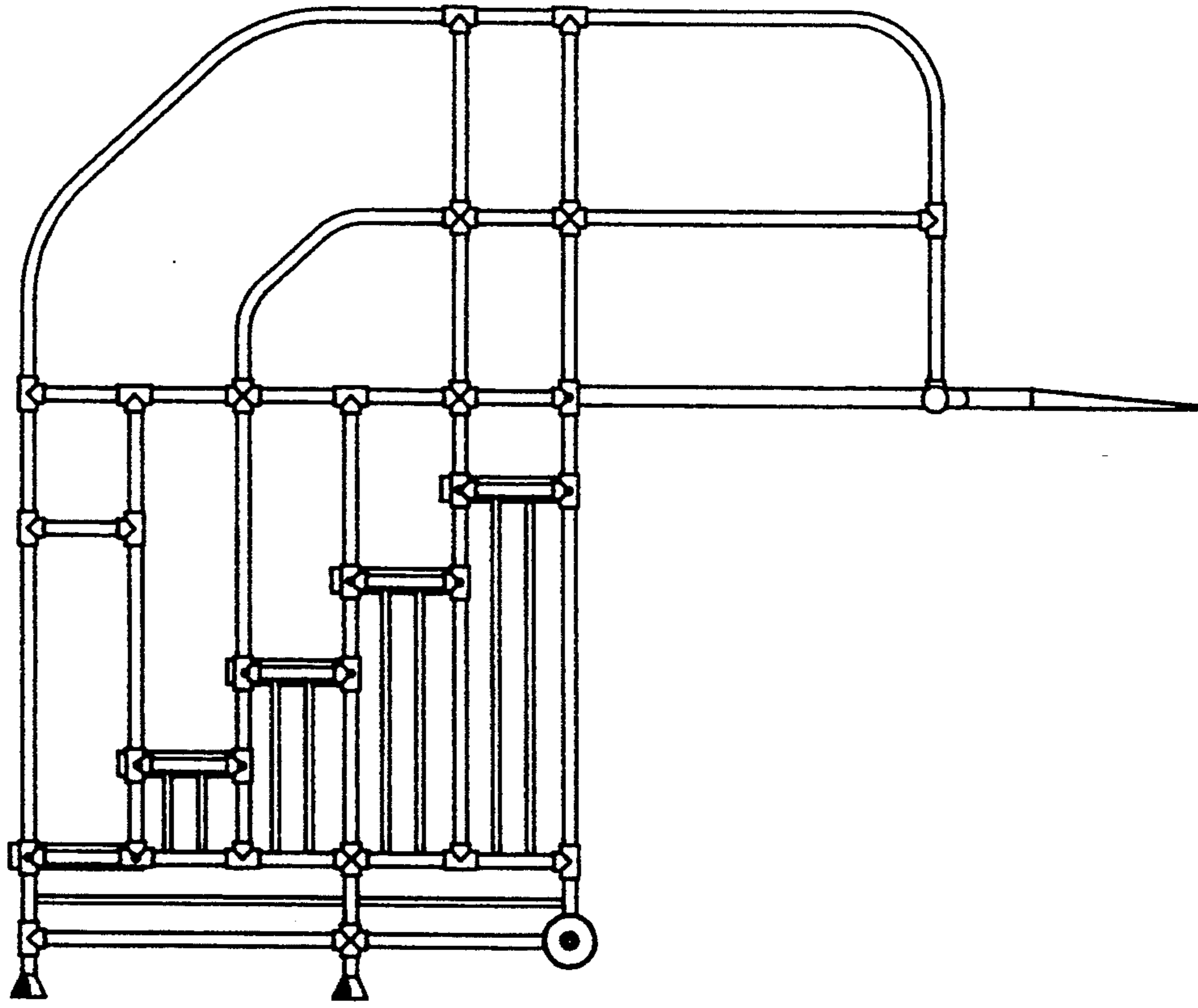


FIG. 5

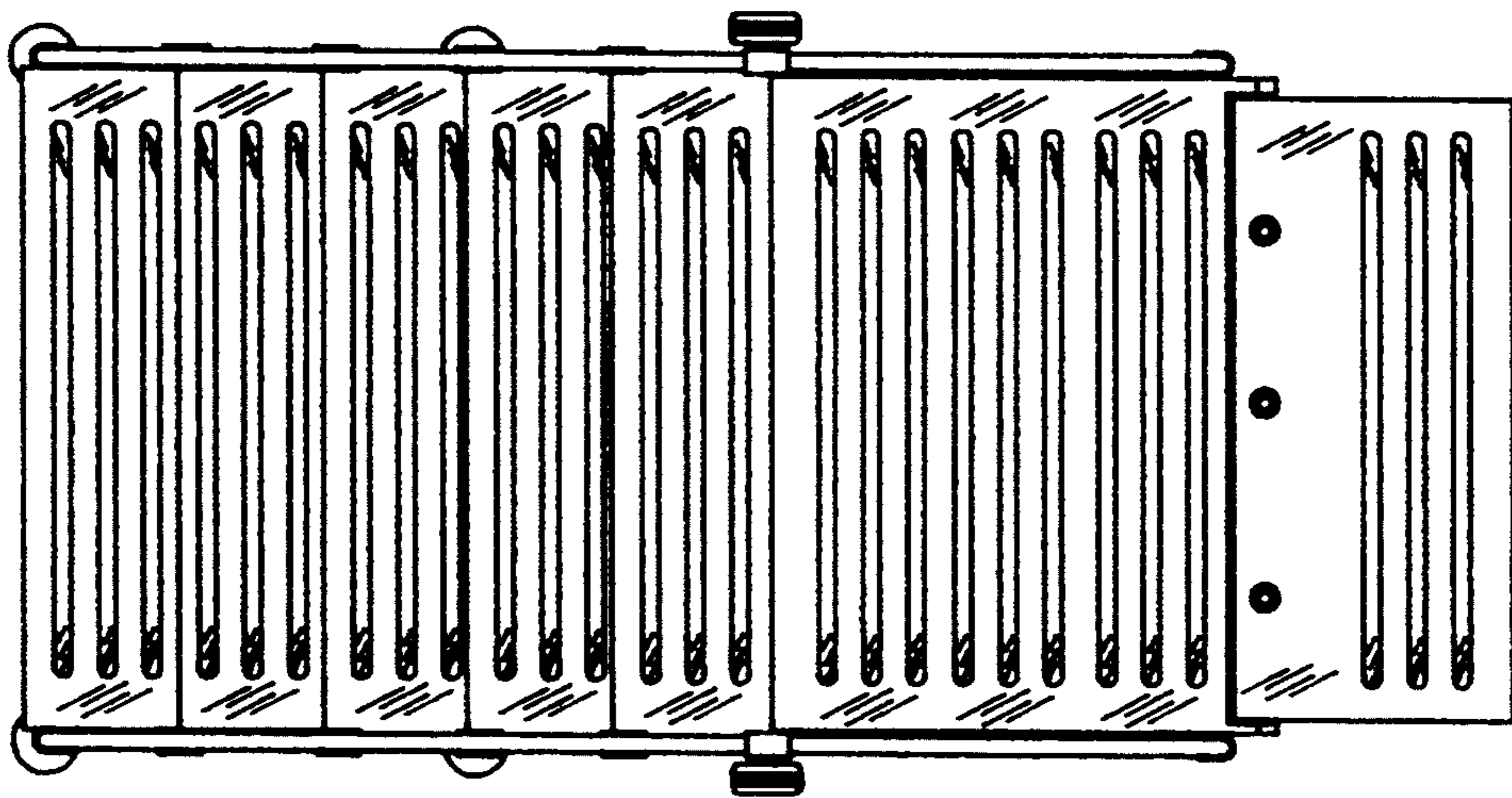


FIG. 6

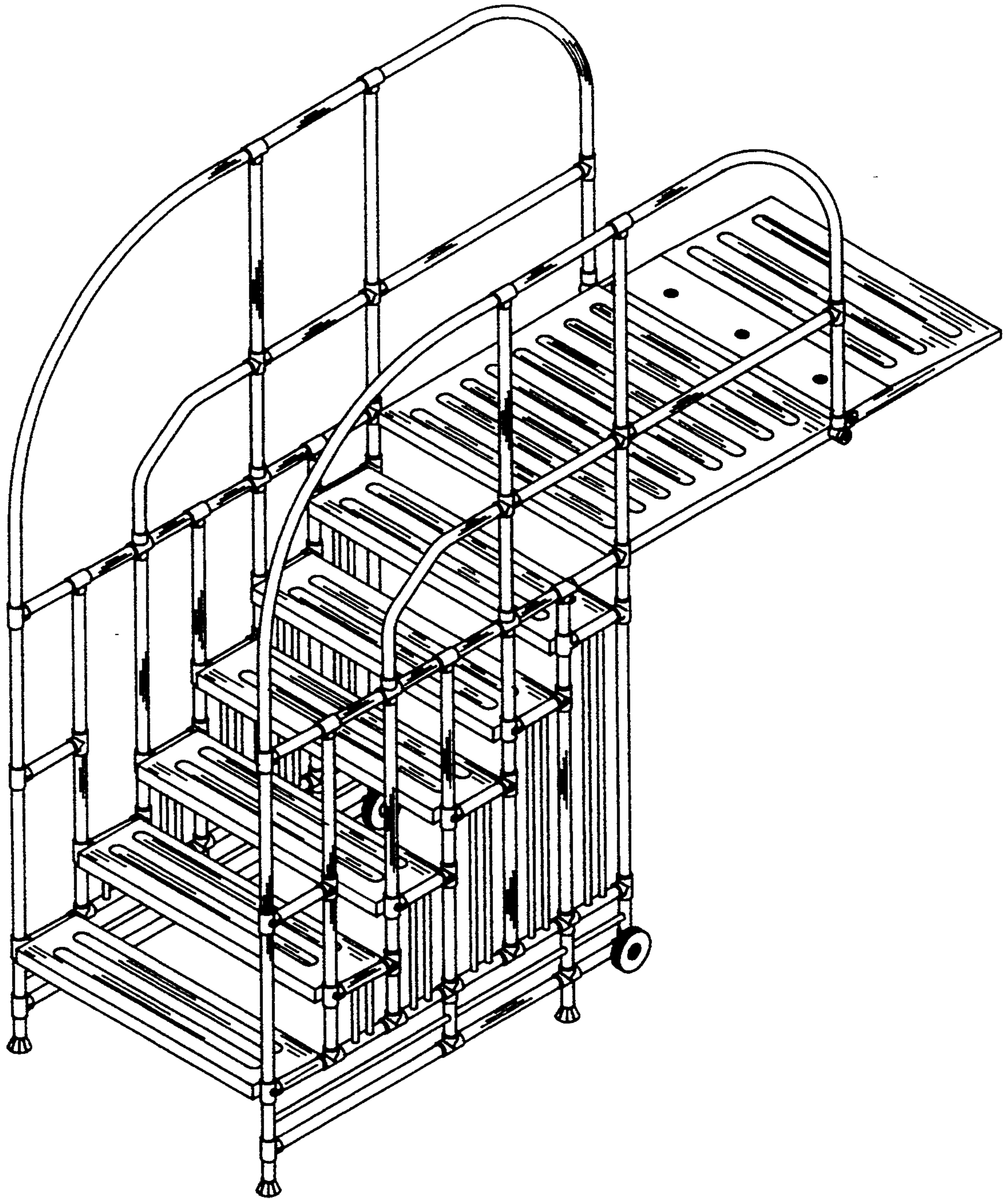


FIG. 7

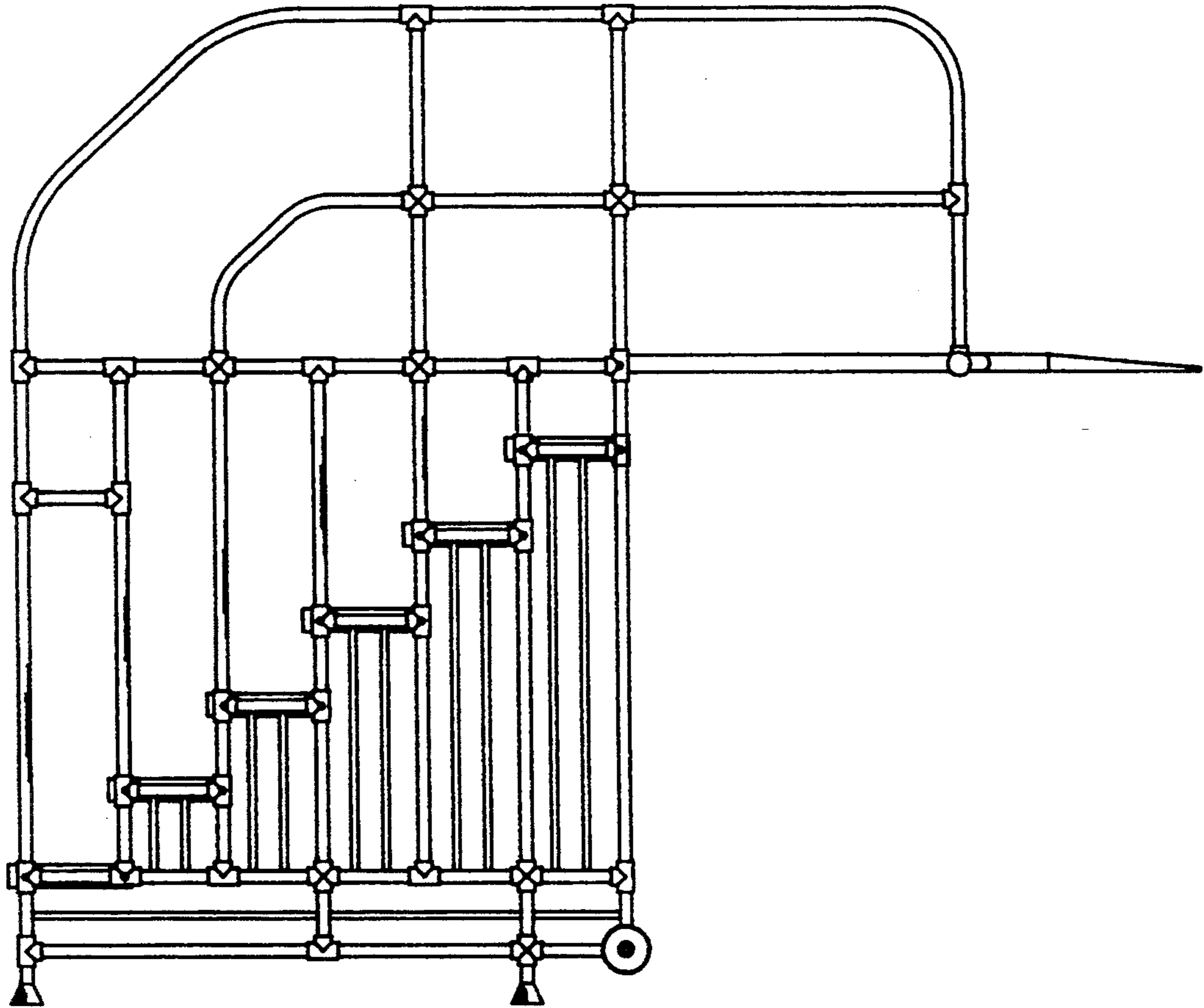


FIG. 8

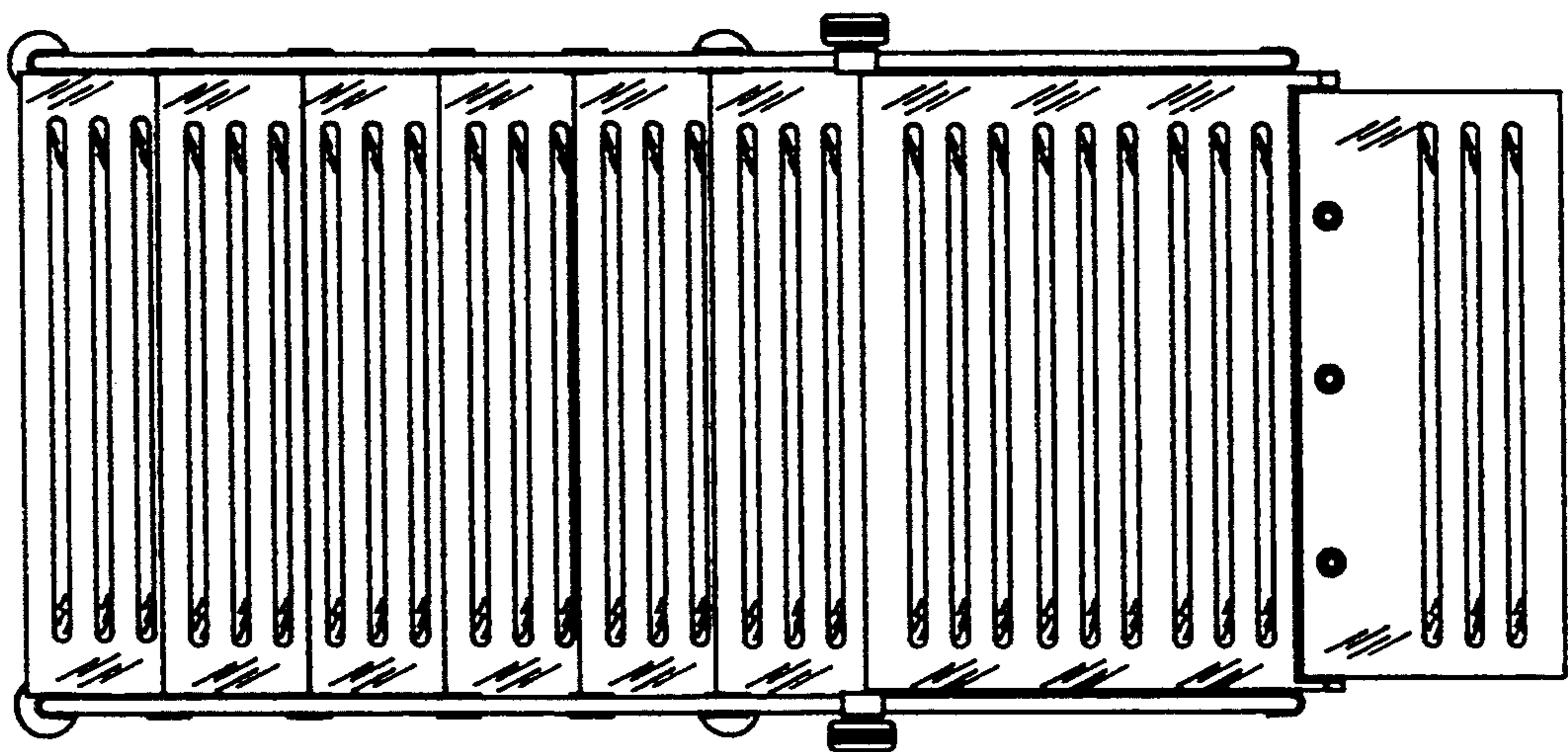


FIG. 9