



US00D356163S

United States Patent [19]
Ryan

[11] **Patent Number: Des. 356,163**
[45] **Date of Patent: ** Mar. 7, 1995**

[54] **BRIDGE**

[76] **Inventor: Dale B. Ryan, 17 S. Harmon Dr., Mitchell, S. Dak. 57301**

[**] **Term: 14 Years**

[21] **Appl. No.: 8,610**

[22] **Filed: May 20, 1993**

[52] **U.S. Cl. D25/1**

[58] **Field of Search D25/1, 113, 115, 116; 14/69.5, 2.4, 24, 13, 14, 15; 52/87, 285.1, 726.1**

[56] **References Cited**

U.S. PATENT DOCUMENTS

3,124,258	3/1964	Smith	52/87
3,406,616	10/1968	McLean	14/24
4,587,684	5/1986	Miller	14/15
4,965,903	10/1990	Bisch	14/2.4

OTHER PUBLICATIONS

Civil Engineering, Mar. 1988, p. 13, Temporary Bridge.

Primary Examiner—A. Hugo Word

Assistant Examiner—Doris V. Coles

Attorney, Agent, or Firm—Vidas, Arrett & Steinkraus

[57] **CLAIM**

The ornamental design for a bridge, as shown and described.

DESCRIPTION

FIG. 1 is a perspective view of a bridge, showing my new design;

FIG. 2 is a front elevational view thereof with the rear elevational view being a mirror image;

FIG. 3 is a right side elevational view thereof with the left side being a mirror image;

FIG. 4 is a top plan view thereof; and,

FIG. 5 is a bottom plan view.

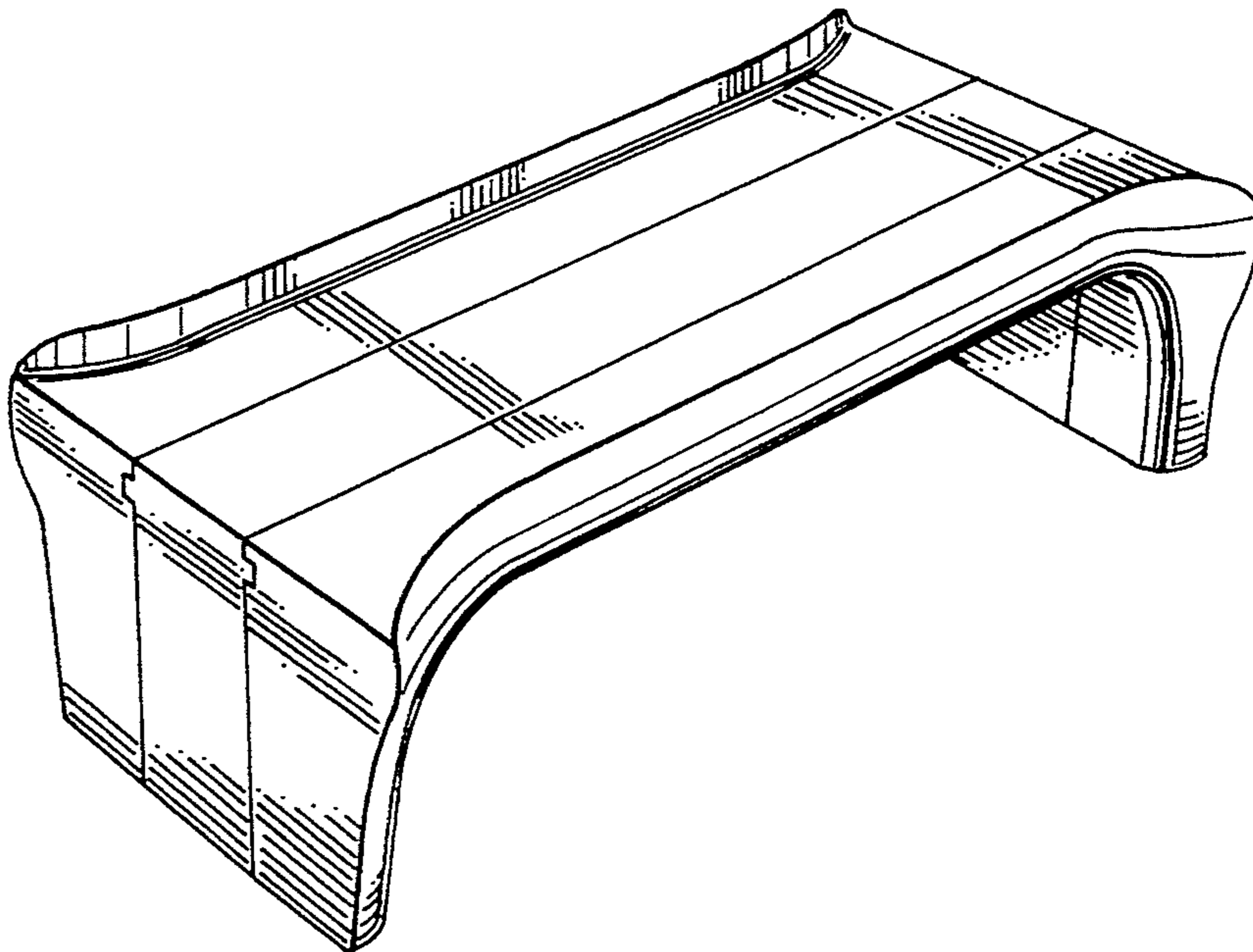


Fig. 1

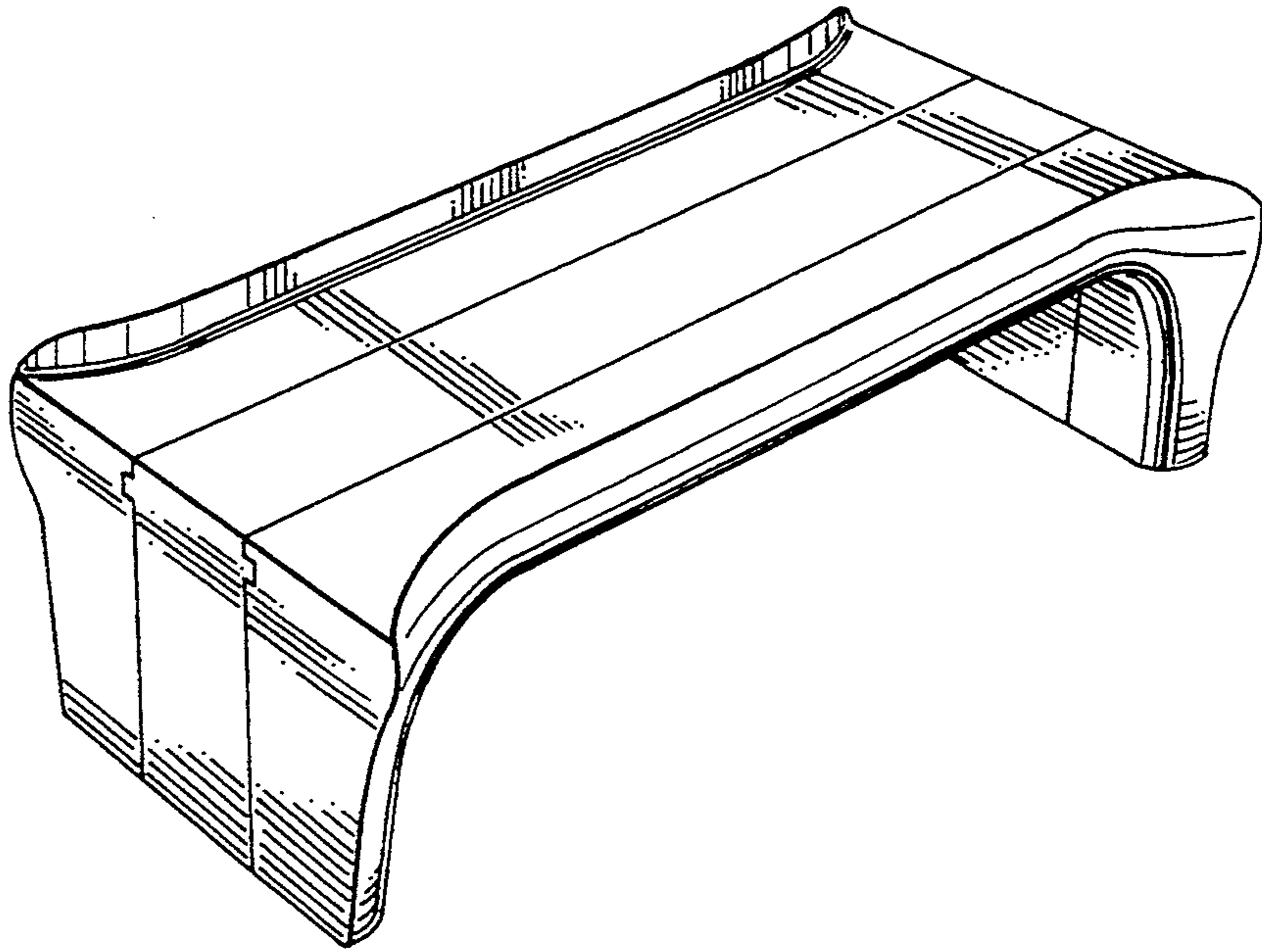


Fig. 2

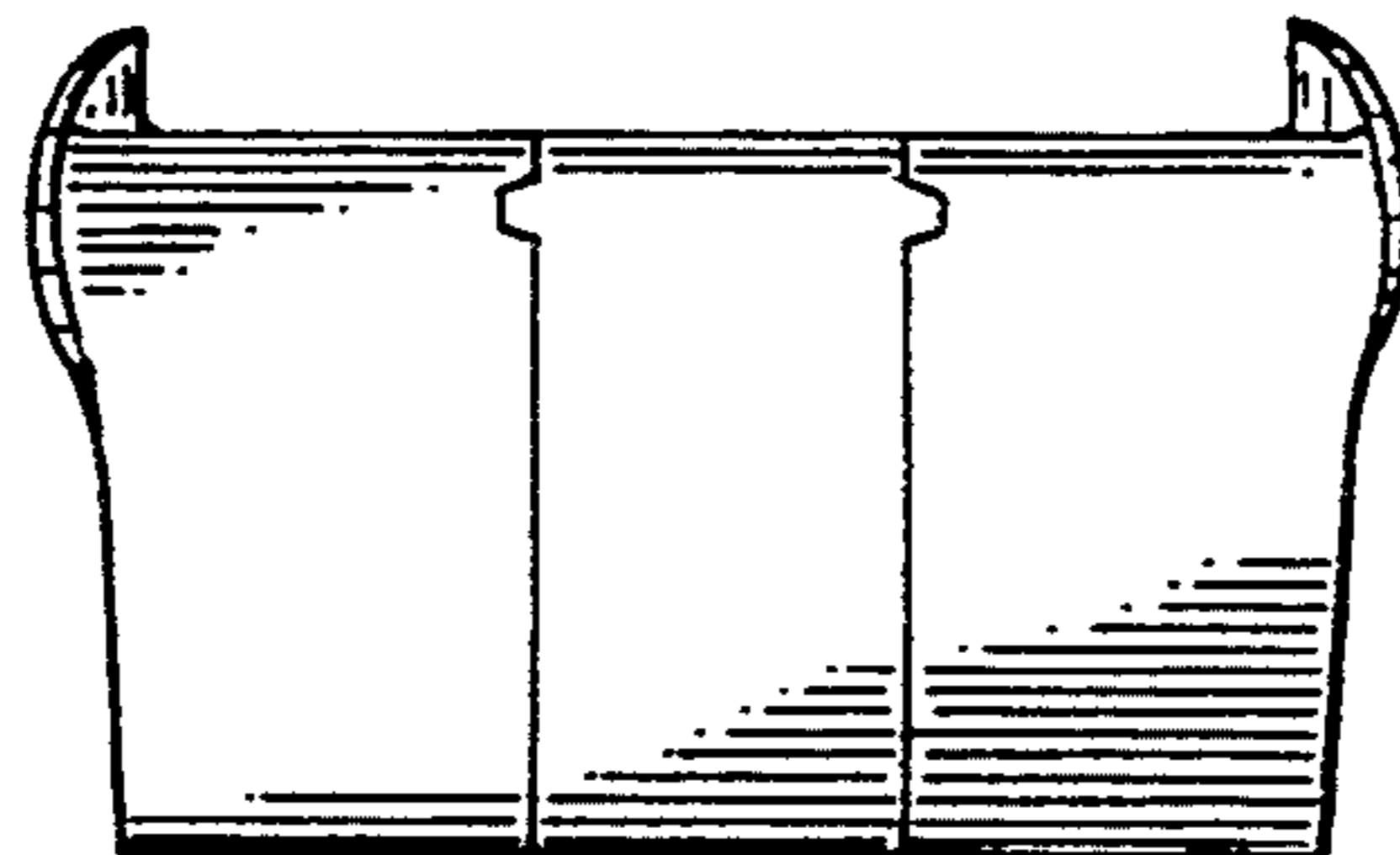


Fig. 3

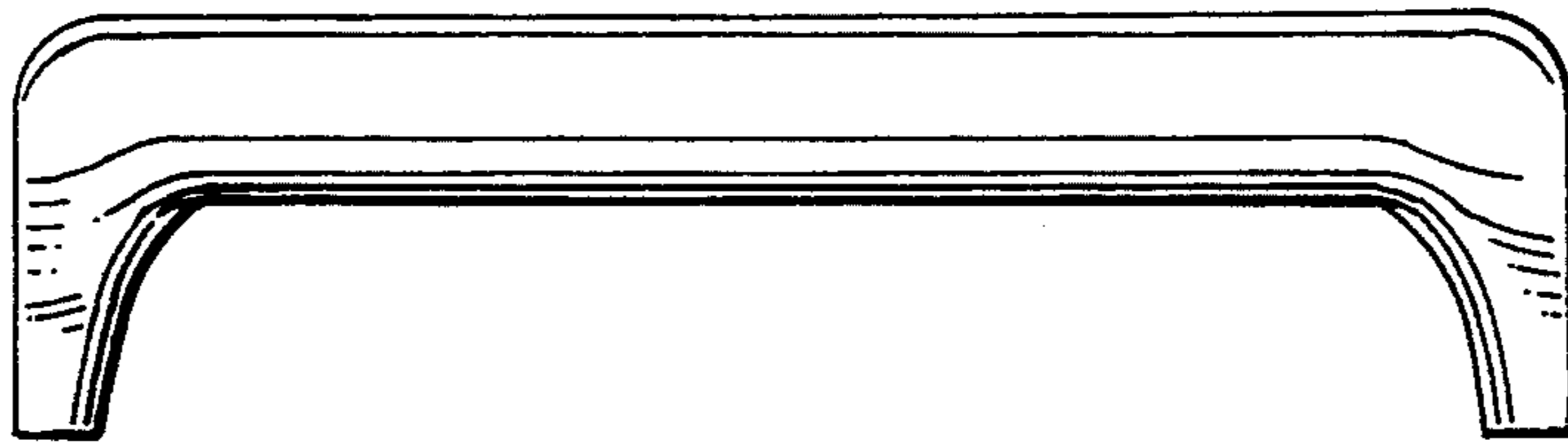


Fig. 4

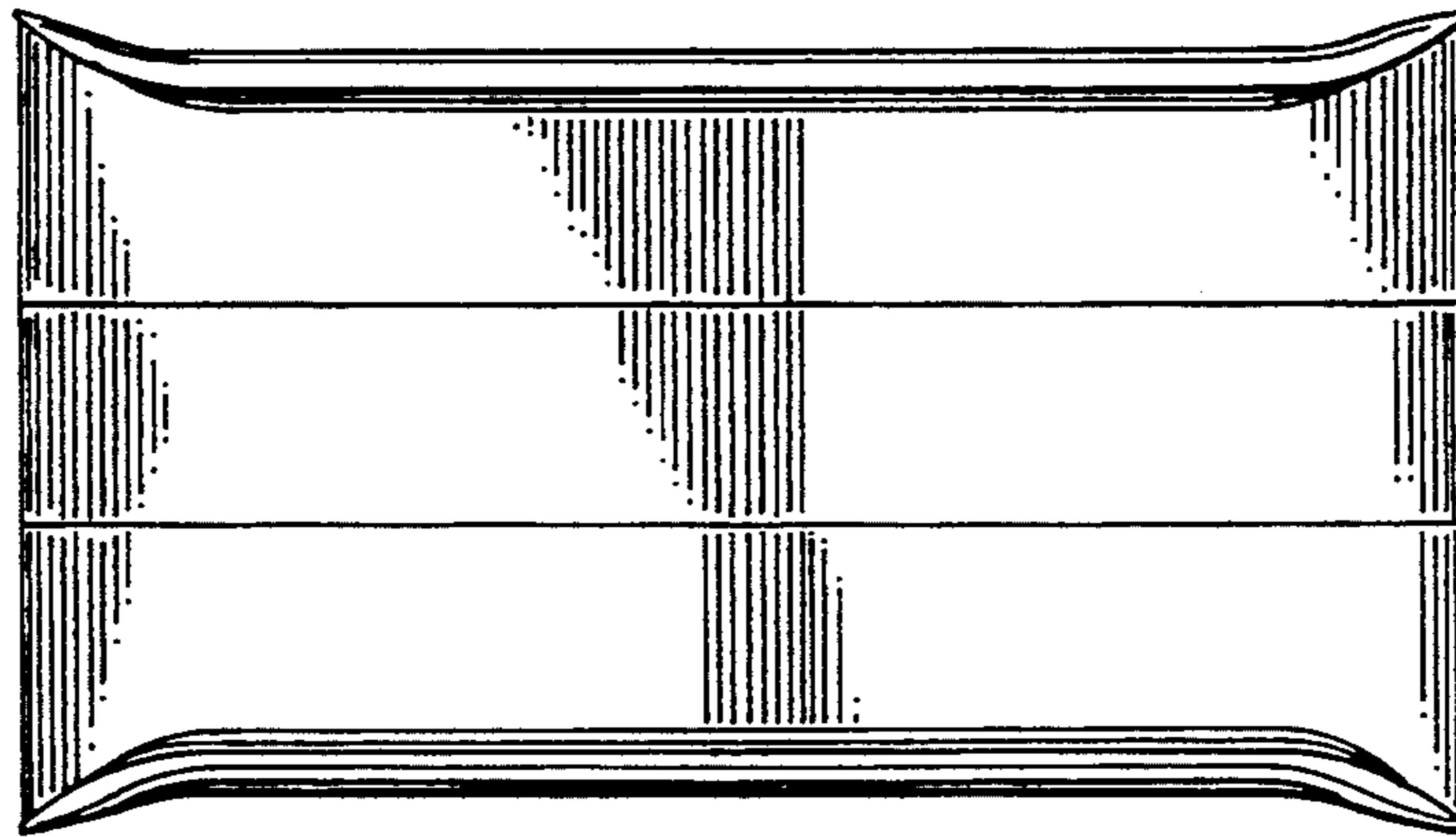


Fig. 5

