



US00D356162S

United States Patent [19]

[11] Patent Number: **Des. 356,162**

Spahr

[45] Date of Patent: **** Mar. 7, 1995**

[54] **KNEADER MASSAGER**

[75] Inventor: **Timothy A. Spahr, Lake Carroll, Ill.**

[73] Assignee: **Wahl Clipper Corporation, Sterling, Ill.**

[**] Term: **14 Years**

[21] Appl. No.: **17,524**

[22] Filed: **Jan. 14, 1994**

[52] U.S. Cl. **D24/215**

[58] Field of Search **D24/215, 214, 212, 211; 601/134, 101, 119**

4,777,940 10/1988 Yamasaki .
 4,920,957 5/1990 Sutherland .
 5,065,743 11/1991 Sutherland 601/136 X

OTHER PUBLICATIONS

Sheets 1 and 2 bear photographs of a massaging device manufactured by Kneader Industries, Inc., Alberta, Canada in about 1990.

Primary Examiner—Stella Reid
Attorney, Agent, or Firm—Greer, Burns & Crain, Ltd.

[57] CLAIM

The ornamental design for a kneader massager, as shown and described.

[56] **References Cited**
U.S. PATENT DOCUMENTS

D. 191,253	8/1961	Martinec	D24/215
1,391,919	9/1921	Thompson .	
1,931,849	10/1933	Matson .	
2,038,846	4/1936	Matson .	
2,590,527	3/1952	Fluck	D24/214 X
3,499,439	3/1970	Boller .	
3,517,235	6/1970	Flowers et al. .	
3,850,163	11/1974	Andis, Sr.	601/119
3,993,052	11/1976	Miyahara .	
4,126,128	11/1978	Takahashi	D24/211 X

DESCRIPTION

FIG. 1 is perspective view of the kneader massager showing my new design;
 FIG. 2 is a top view thereof;
 FIG. 3 is a right view thereof;
 FIG. 4 is a bottom view thereof;
 FIG. 5 is a front view thereof; and,
 FIG. 6 is a rear view thereof.
 The side not shown is a mirror image of the side as shown in FIG. 3.

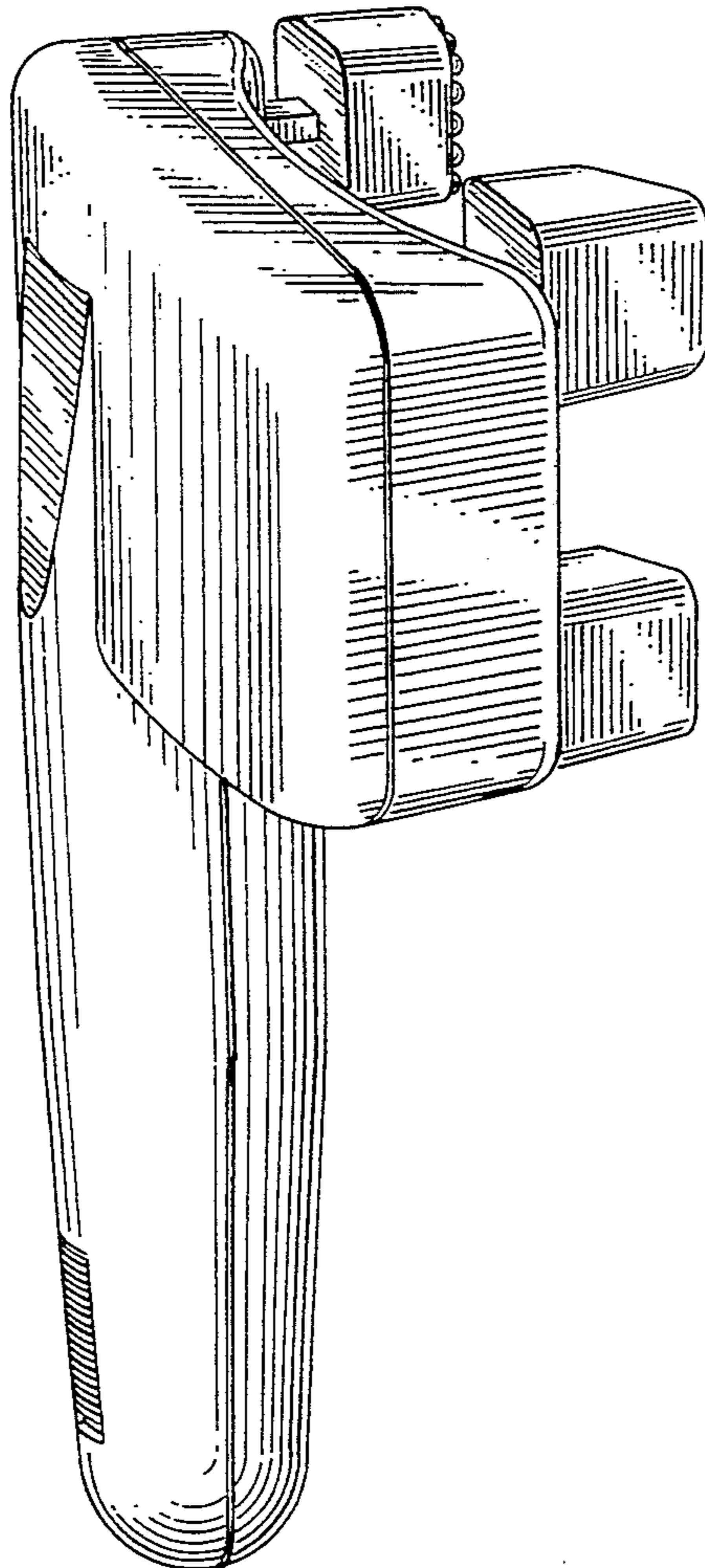


Fig. 1

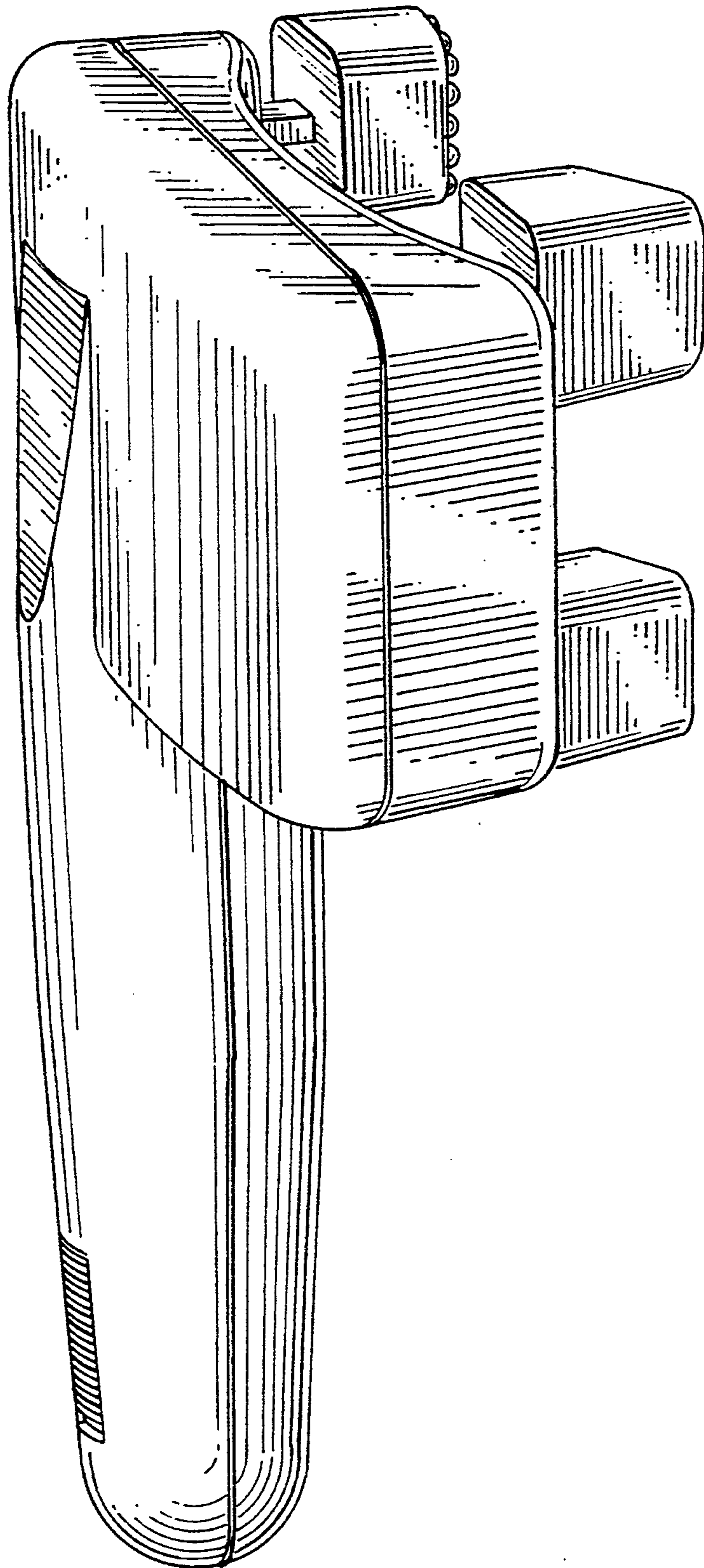


Fig. 2

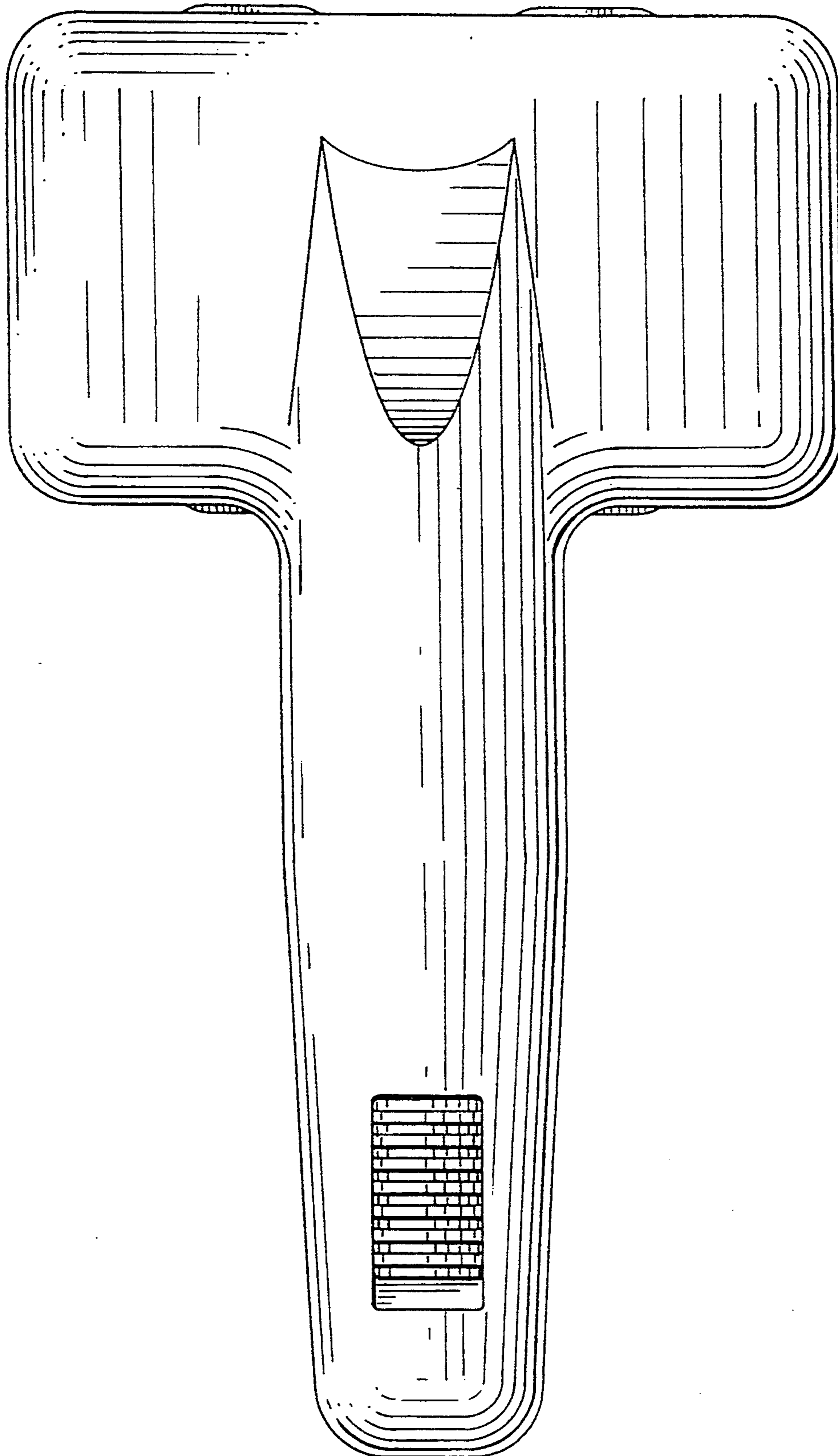


Fig. 3

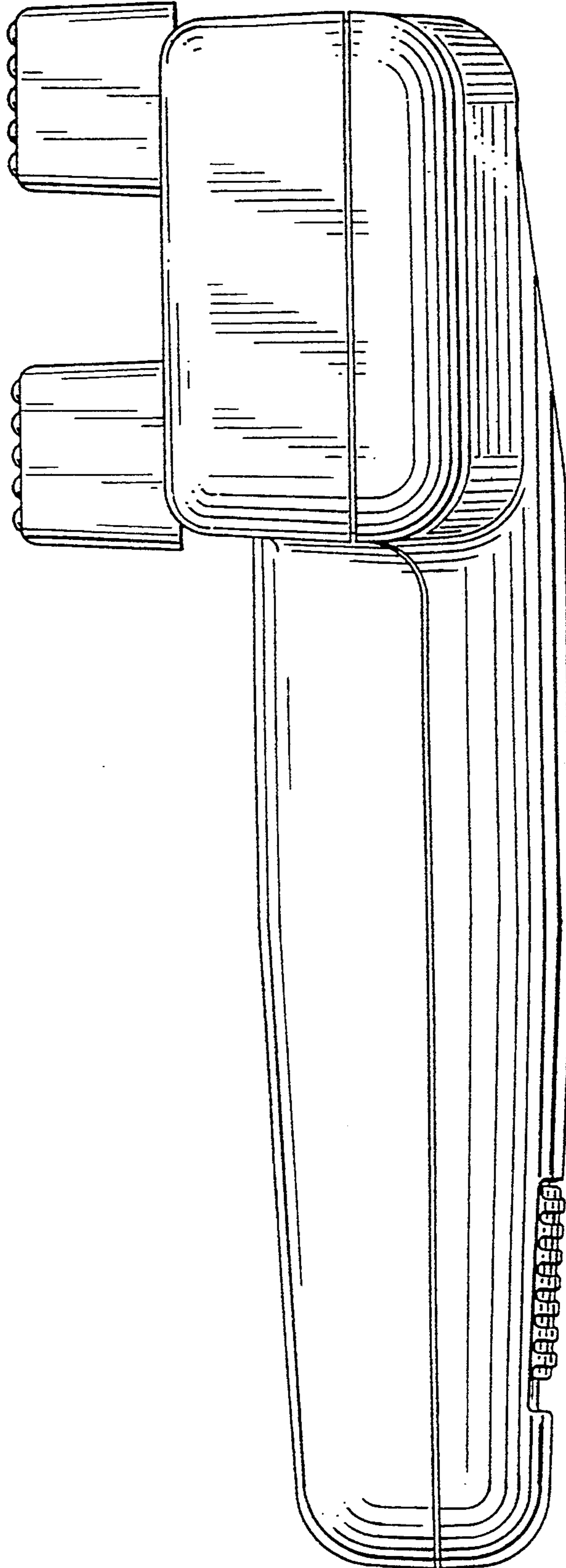


Fig. 4

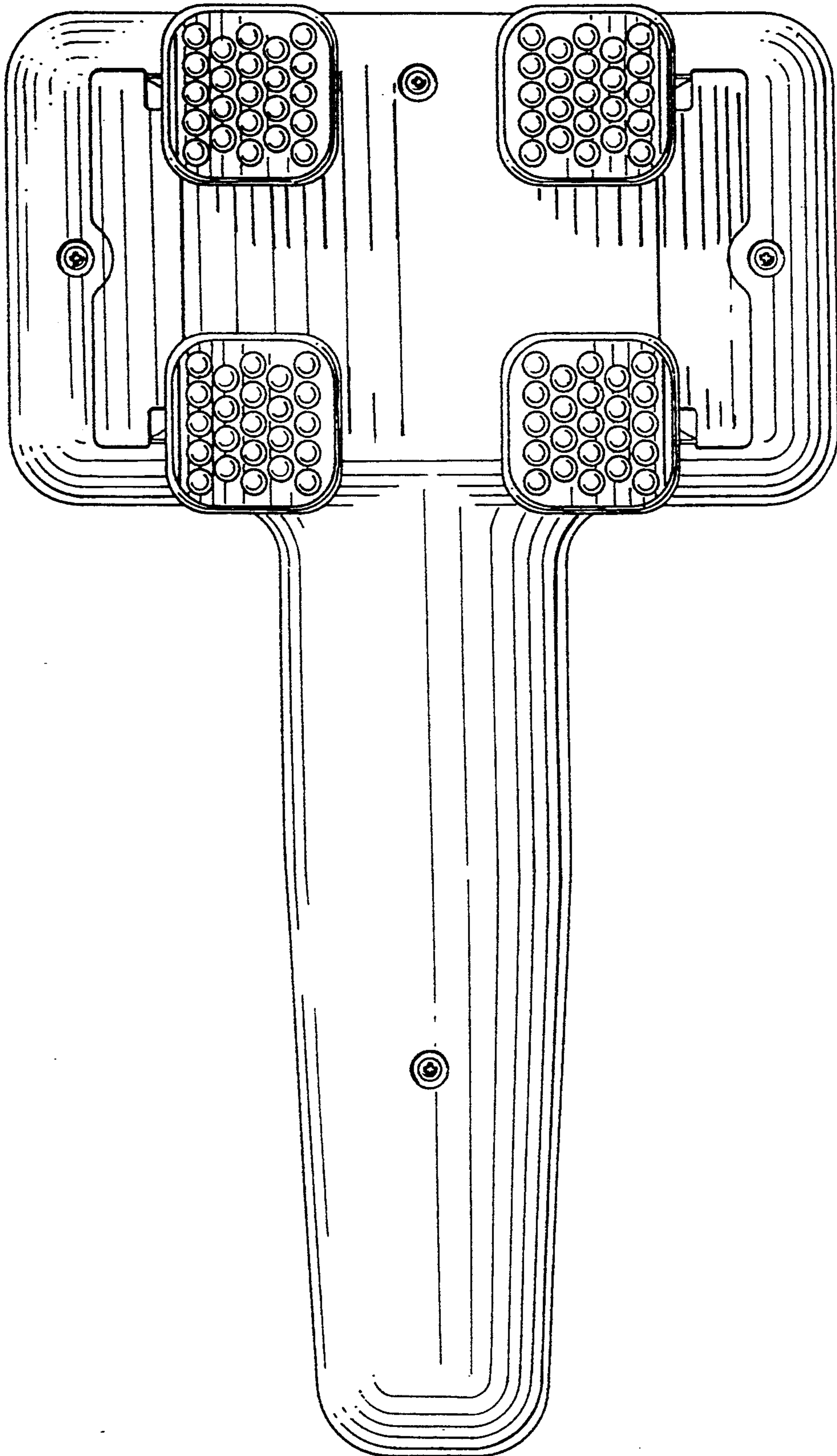


Fig. 5

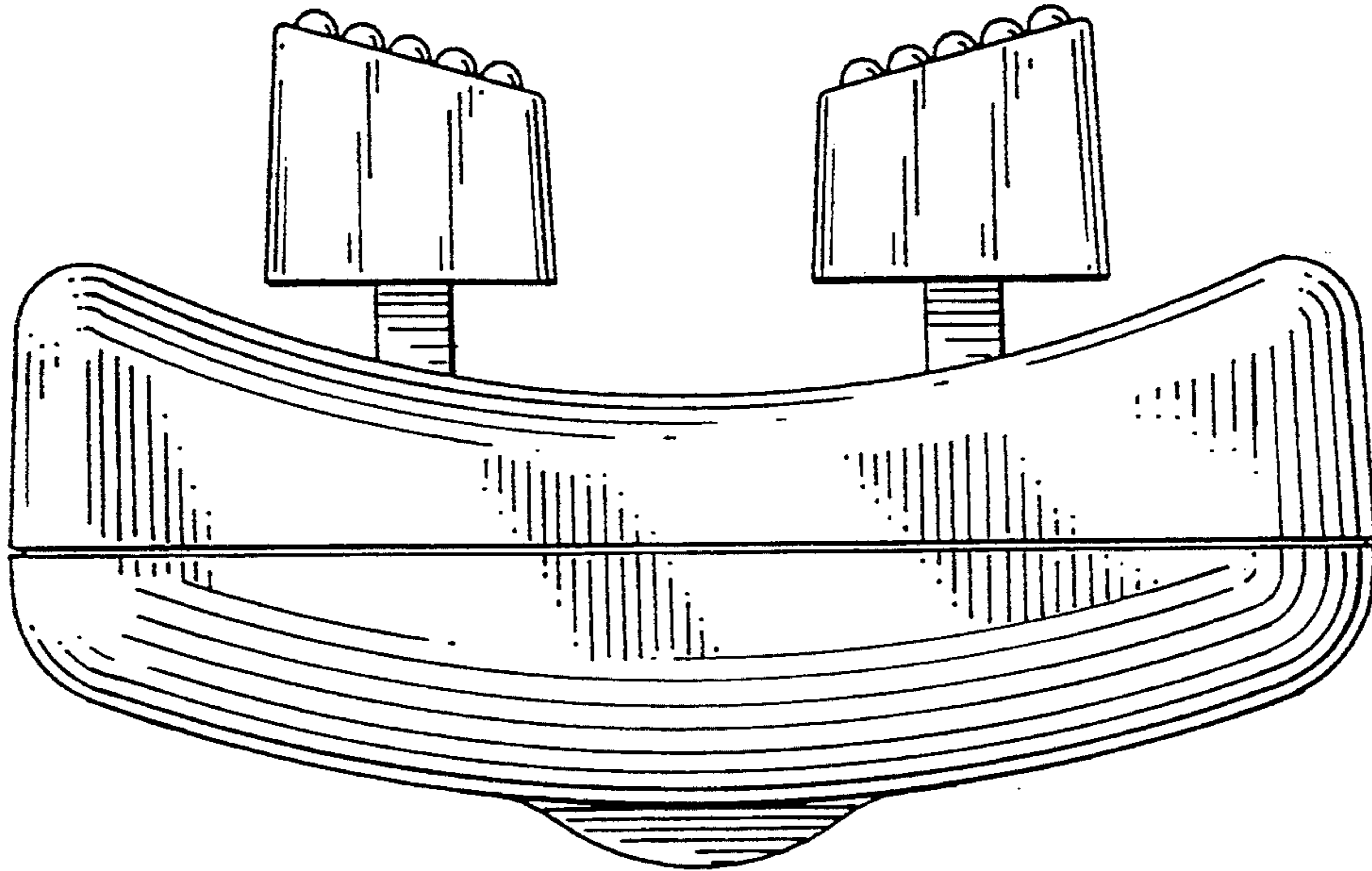


Fig. 6

