



US00D356155S

United States Patent [19]

[11] Patent Number: **Des. 356,155**

Caven

[45] Date of Patent: **** Mar. 7, 1995**

[54] **DISPOSABLE BLOOD PRESSURE CUFF**

4,967,758 11/1990 Marsciarotte .

[76] Inventor: **William A. Caven**, 6851-A Glenlake Parkway, Atlanta, Ga. 30328

4,979,953 12/1990 Spence .

5,101,830 4/1992 Duffy .

5,193,549 3/1993 Bellin .

5,201,758 4/1993 Glover .

[**] Term: **14 Years**

Primary Examiner—Stella Reid

[21] Appl. No.: **12,159**

Attorney, Agent, or Firm—Jones & Askew

[22] Filed: **Aug. 25, 1993**

[57] **CLAIM**

[52] U.S. Cl. **D24/165**

The ornamental design for a disposable blood pressure cuff, as shown and described.

[58] Field of Search D24/165, 169; 128/686, 128/685, 677, 679, 690

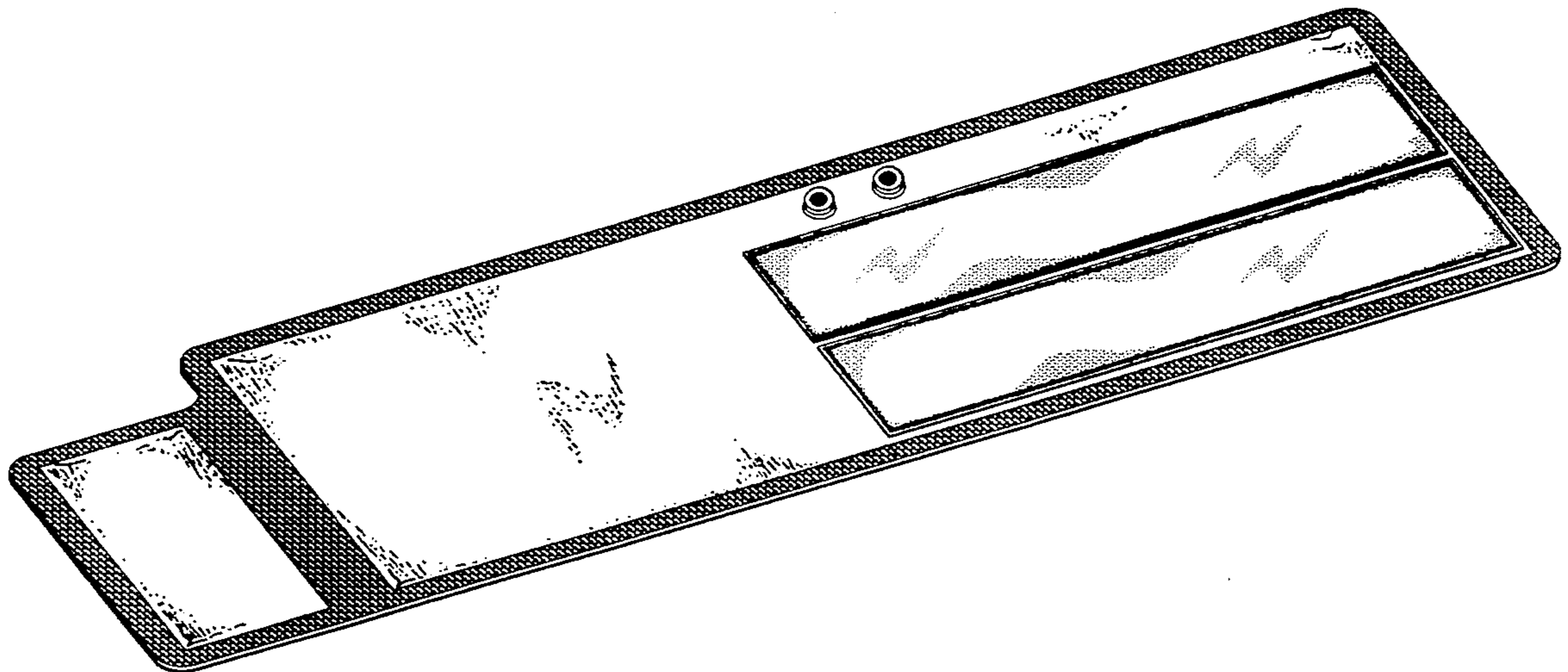
DESCRIPTION

[56] **References Cited**

FIG. 1 is a perspective view of a disposable blood pressure cuff, showing my new design; FIG. 2 is a front view thereof; FIG. 3 is a rear view thereof; FIG. 4 is a top view thereof; FIG. 5 is a bottom view thereof; FIG. 6 is a left side view thereof; FIG. 7 is a right side view thereof; and, FIG. 8 is a perspective view thereof in use condition, the broken line showing is for illustrative purposes only and forms no part of the claimed design.

U.S. PATENT DOCUMENTS

D. 320,858	10/1991	Kida et al.	D24/165
D. 324,425	3/1992	Yoshikawa et al.	D24/165
3,756,239	9/1973	Smythe .	
3,906,937	9/1975	Aronson .	
4,354,503	10/1982	Golden .	
4,465,076	8/1984	Sturgeon	128/686
4,635,635	1/1987	Robinette-Lehman .	
4,716,906	1/1988	Ruff .	
4,838,276	6/1989	Nagai .	



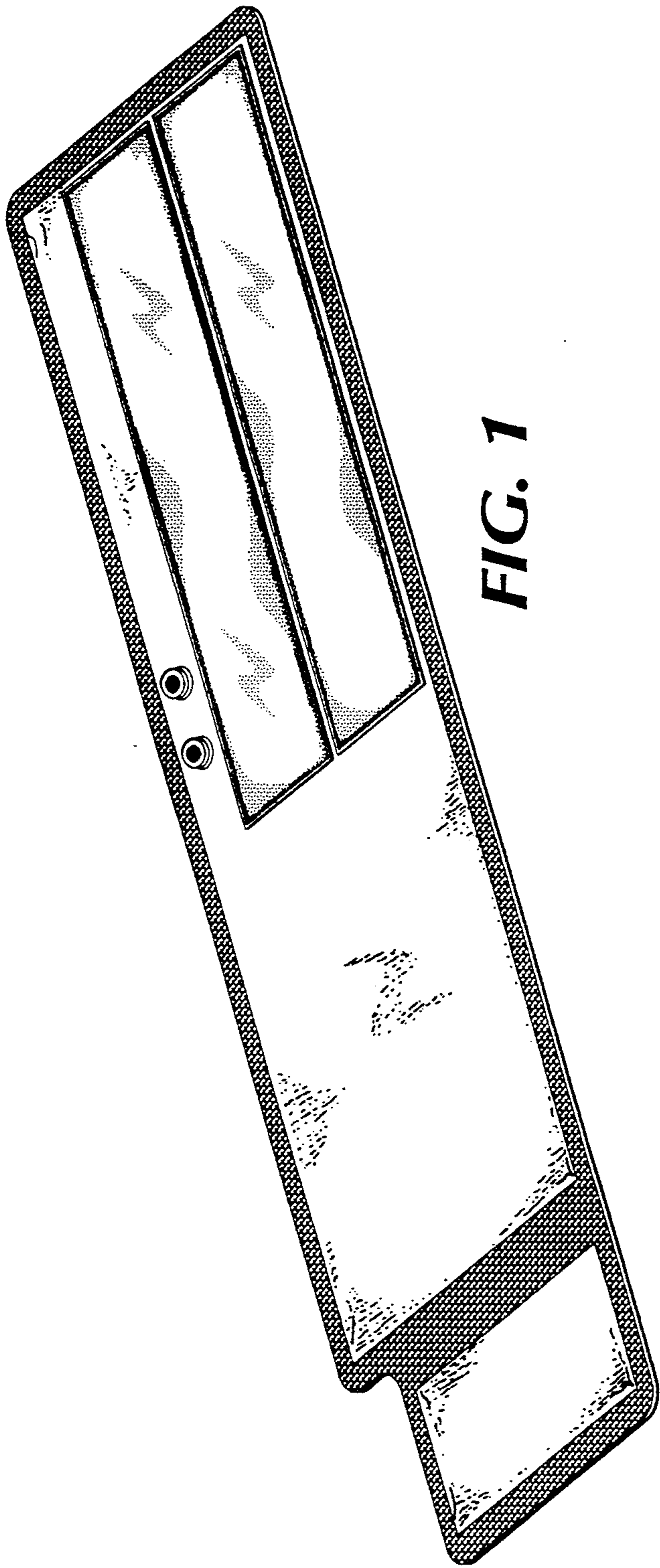


FIG. 1



FIG. 2



FIG. 3

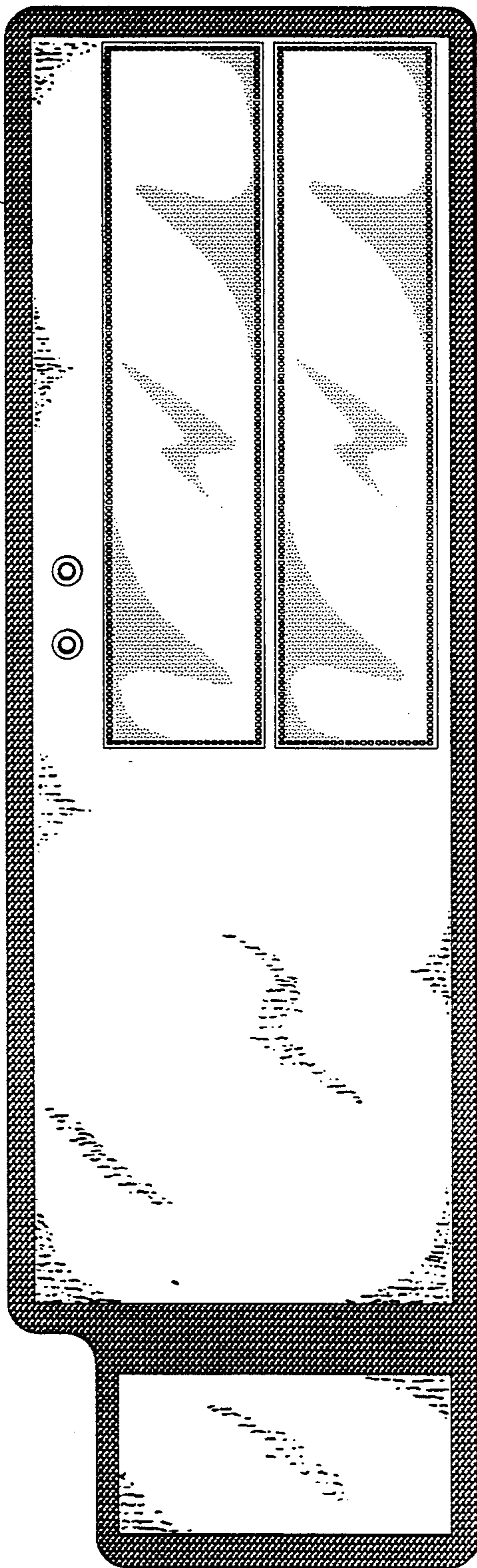


FIG. 4

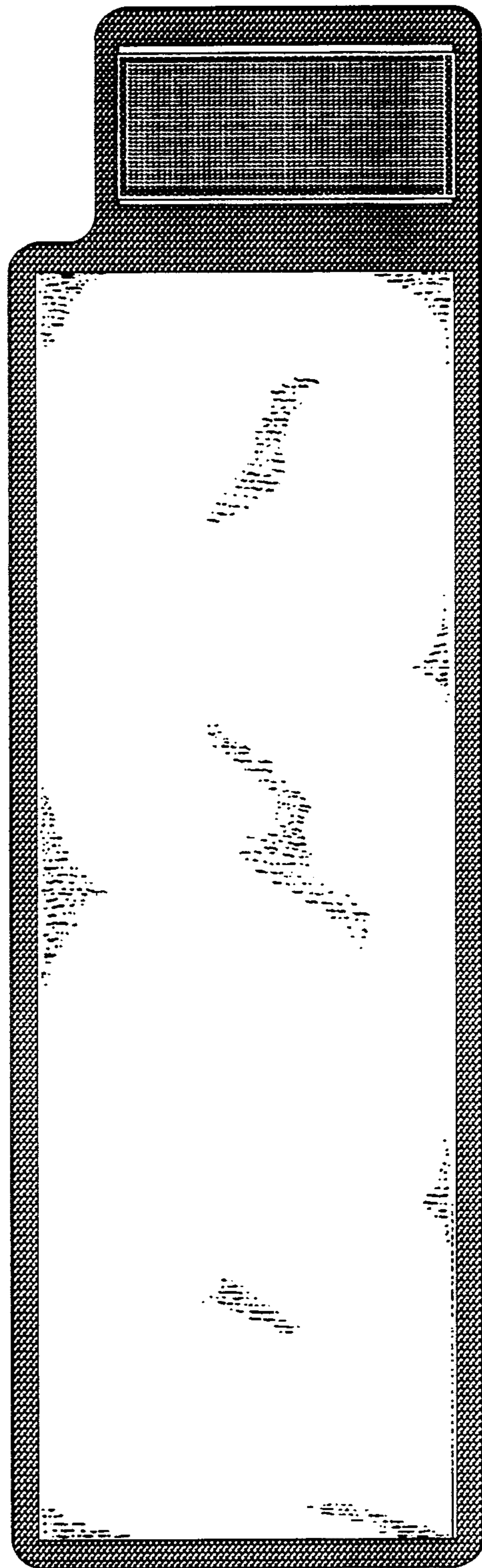


FIG. 5

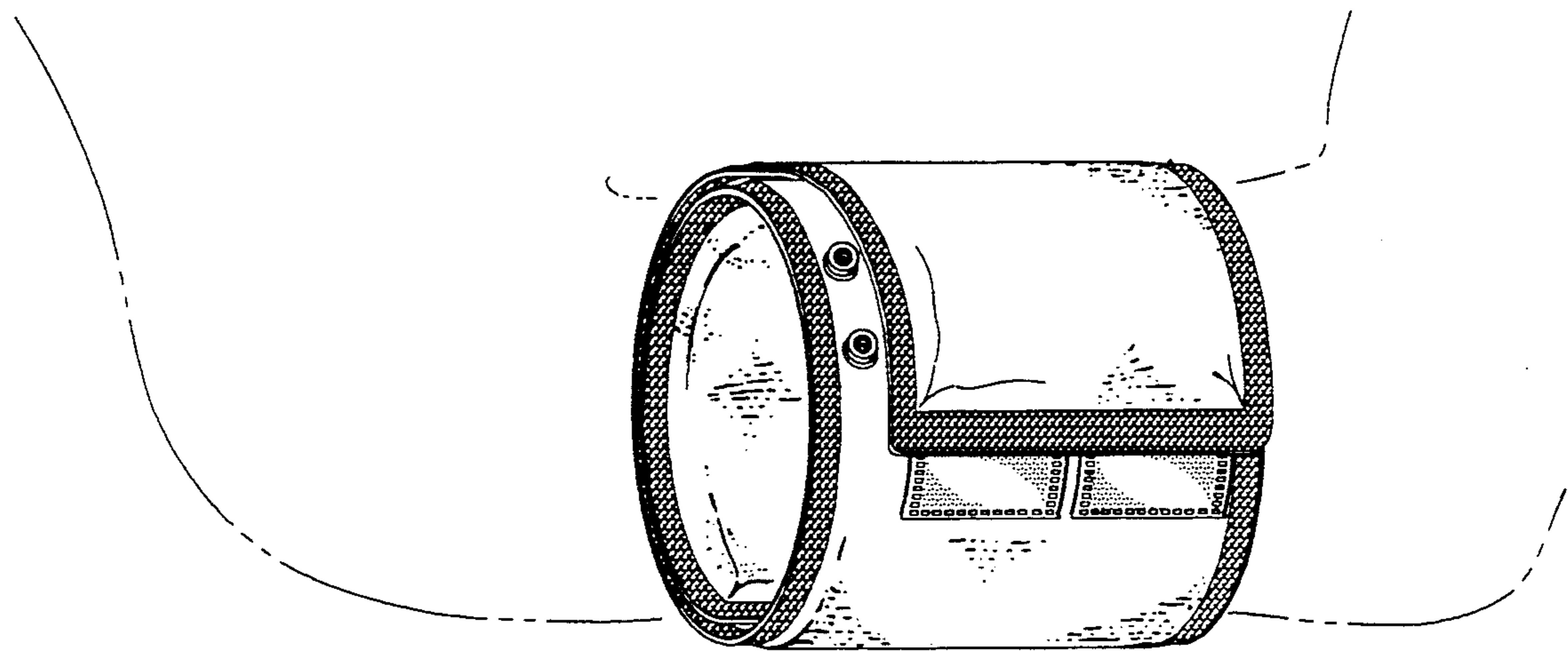


FIG. 8



FIG. 6



FIG. 7