



US00D356154S

United States Patent [19]

[11] Patent Number: **Des. 356,154**

Ferragamo

[45] Date of Patent: **** Mar. 7, 1995**

[54] **BAR SUTURE ANCHOR**

[75] Inventor: **Michael C. Ferragamo**, North Dighton, Mass.

[73] Assignee: **American Cyanamid Company**, Wayne, N.J.

[**] Term: **14 Years**

[21] Appl. No.: **3,075**

[22] Filed: **Dec. 28, 1992**

[52] U.S. Cl. **D24/145**

[58] Field of Search **D24/145; 606/216, 218, 606/217, 232, 228, 233**

5,127,412 7/1992 Cosmetto et al. D24/145 X

FOREIGN PATENT DOCUMENTS

0464480 1/1992 European Pat. Off. 606/232
WO89/10096 11/1989 WIPO .

OTHER PUBLICATIONS

Acufex Brochure, "The Standard in Arthroscopic Technology" Acufex Microsurgical, Inc., 1989.

Primary Examiner—A. Hugo Word
Assistant Examiner—I. Simmons
Attorney, Agent, or Firm—Douglas E. Denninger

[57] CLAIM

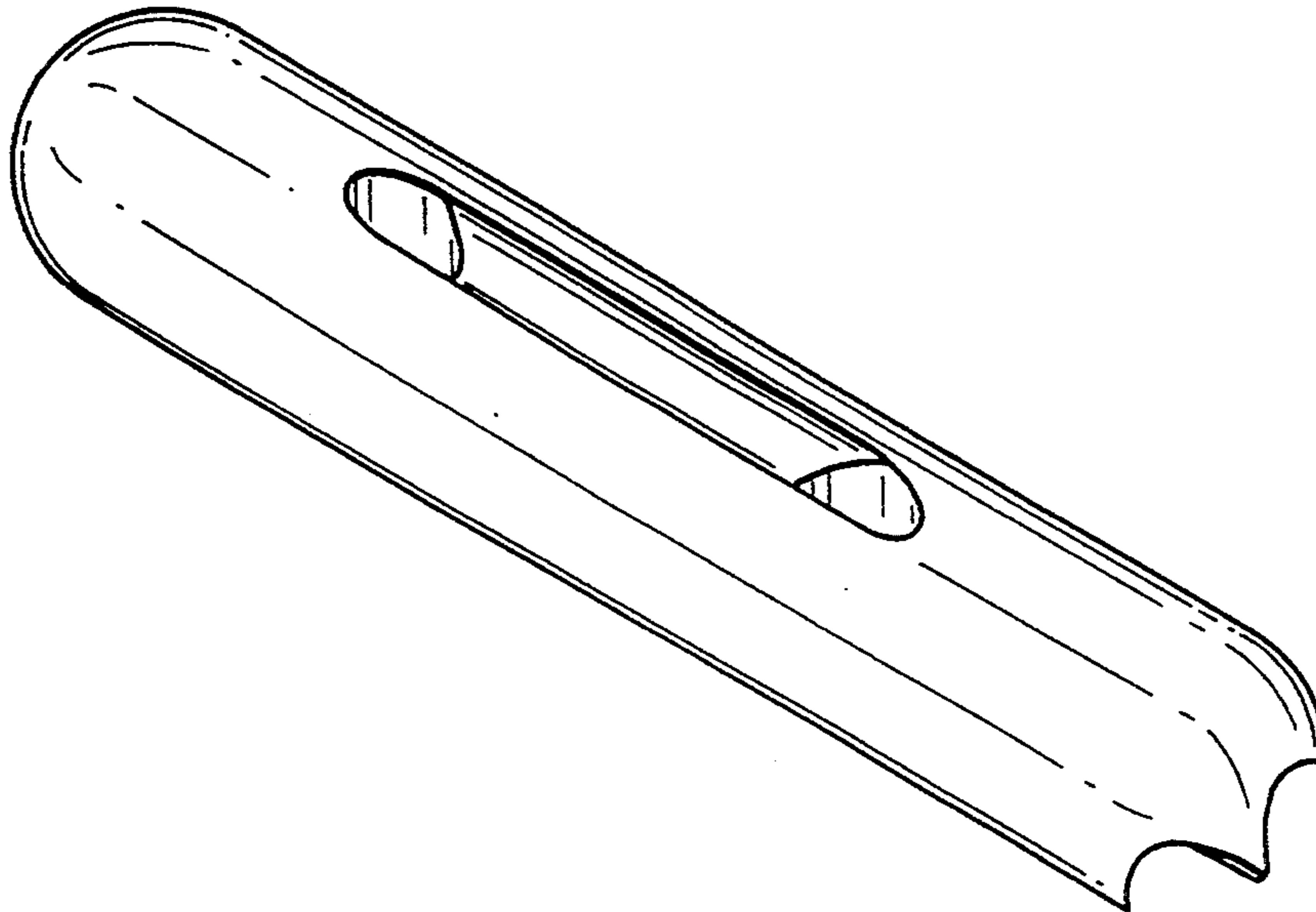
The ornamental design for a bar suture anchor, as shown and described.

DESCRIPTION

FIG. 1 is a top perspective view of suture anchor showing my design;
FIG. 2 is a top plan view thereof;
FIG. 3 is a front elevational view thereof, with the opposite side being a mirror image;
FIG. 4 is a bottom plan view thereof; and,
FIG. 5 is a side elevational view thereof, with the opposite side being a mirror image.

[56] References Cited U.S. PATENT DOCUMENTS

4,159,720	7/1979	Burton	606/232 X
4,210,148	7/1980	Stivala	128/335
4,235,238	11/1980	Ogiu et al.	128/334
4,705,040	11/1987	Mueller et al.	128/334
4,969,892	11/1990	Burton et al.	606/218
5,009,663	4/1991	Broomé	606/232
5,013,292	5/1991	Lemay	600/30
5,021,059	6/1991	Kensey et al.	606/213
5,041,129	8/1991	Hayhurst et al.	606/232



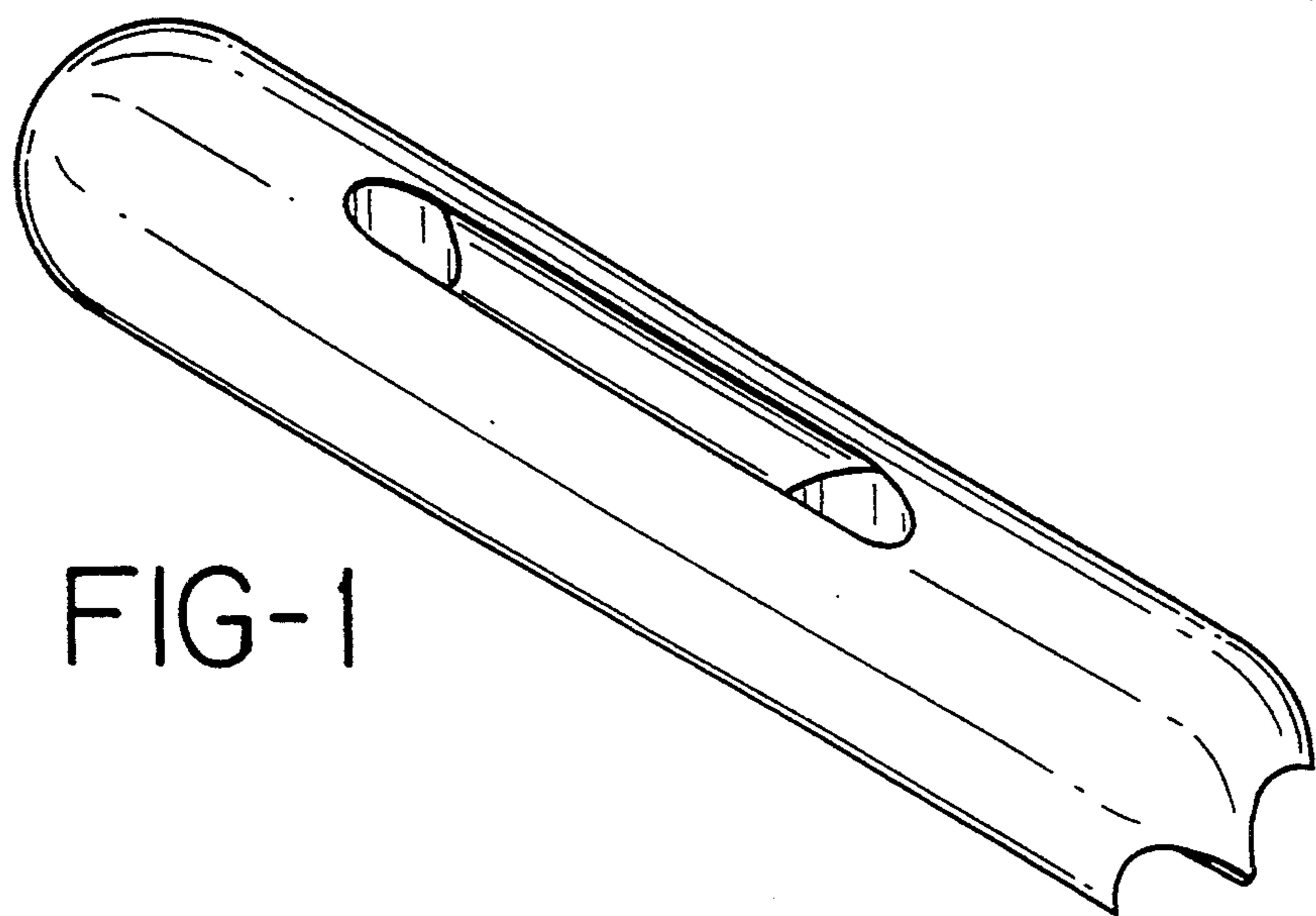


FIG-1

FIG-5

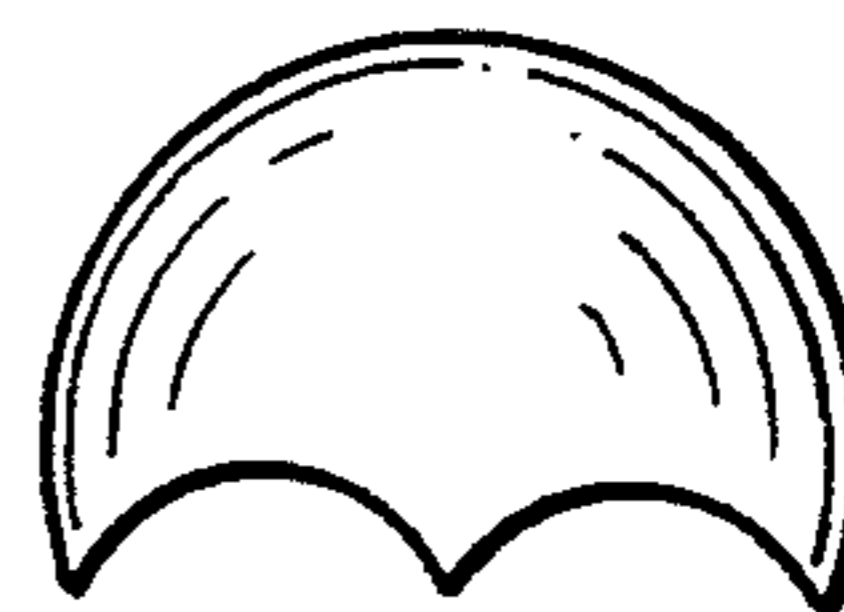


FIG-2

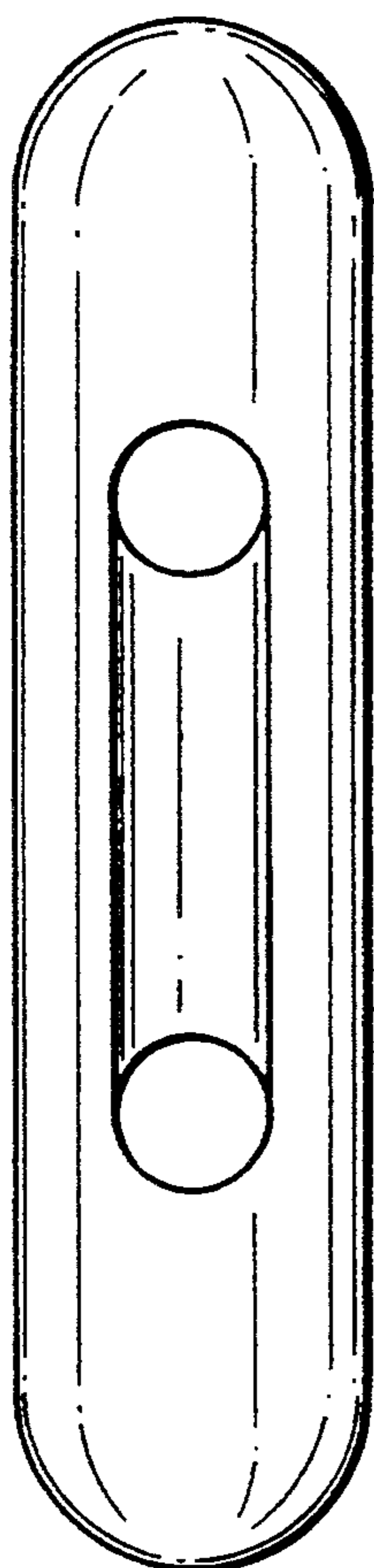


FIG-3

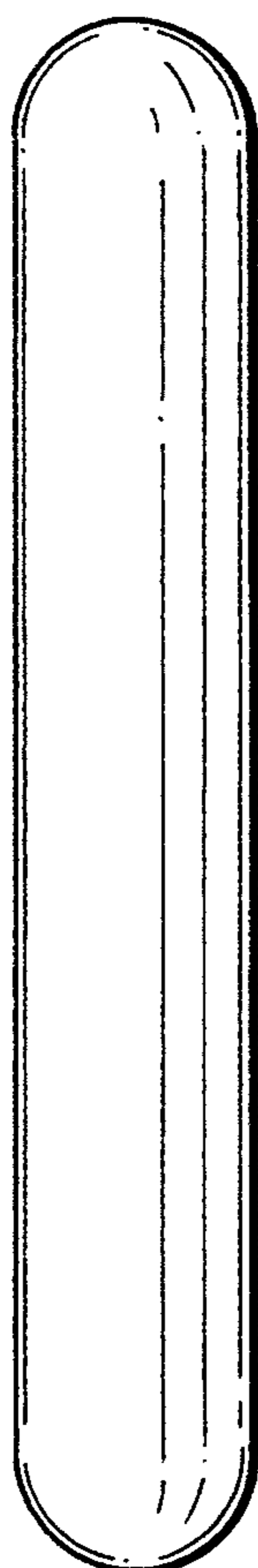


FIG-4

