



US00D356153S

United States Patent [19]

[11] Patent Number: **Des. 356,153**

Peterhans et al.

[45] Date of Patent: **** Mar. 7, 1995**

[54] **COMBINED COMPRESSED GAS INHALER FACEPIECE AND BASE**

[75] Inventors: **Martin Peterhans, Sorengo; Düby Rolf-Beat, Figino, both of Switzerland**

[73] Assignee: **Newpharm S.A., Pambio-Noranco, Switzerland**

[**] Term: **14 Years**

[21] Appl. No.: **10,028**

[22] Filed: **Jun. 25, 1993**

[52] U.S. Cl. **D24/110**

[58] Field of Search **D24/110; 128/203.13, 128/203.14, 203.15, 203.25, 203.29, 206.23, 206.24, 206.14, 205.25, 206.12, 206.28**

[56] **References Cited**

U.S. PATENT DOCUMENTS

D. 235,484	6/1975	Baro et al.	D24/110
D. 339,416	9/1993	Maher	D24/110
3,186,407	6/1965	Morrison	128/205.25 X
3,238,940	3/1966	Kopas	128/205.25 X
4,637,387	1/1987	Hall	128/206.24 X
4,809,692	3/1989	Nowacki et al.	128/206.24

Primary Examiner—A. Hugo Word
Assistant Examiner—I. Simmons
Attorney, Agent, or Firm—Davis Hoxie Faithfull & Haggood

[57] **CLAIM**

The ornamental design for a combined compressed gas inhaler facepiece and base, as shown and described.

DESCRIPTION

FIG. 1 is a perspective view of a combined compressed gas inhaler facepiece and base showing our new design, shown in storage position;

FIG. 2 is a perspective view of the facepiece, shown in inverted position for use;

FIG. 3 is a top view of the facepiece shown in FIG. 1;

FIG. 4 is a front view of the facepiece;

FIG. 5 is left side view of the facepiece;

FIG. 6 is a rear view of the facepiece;

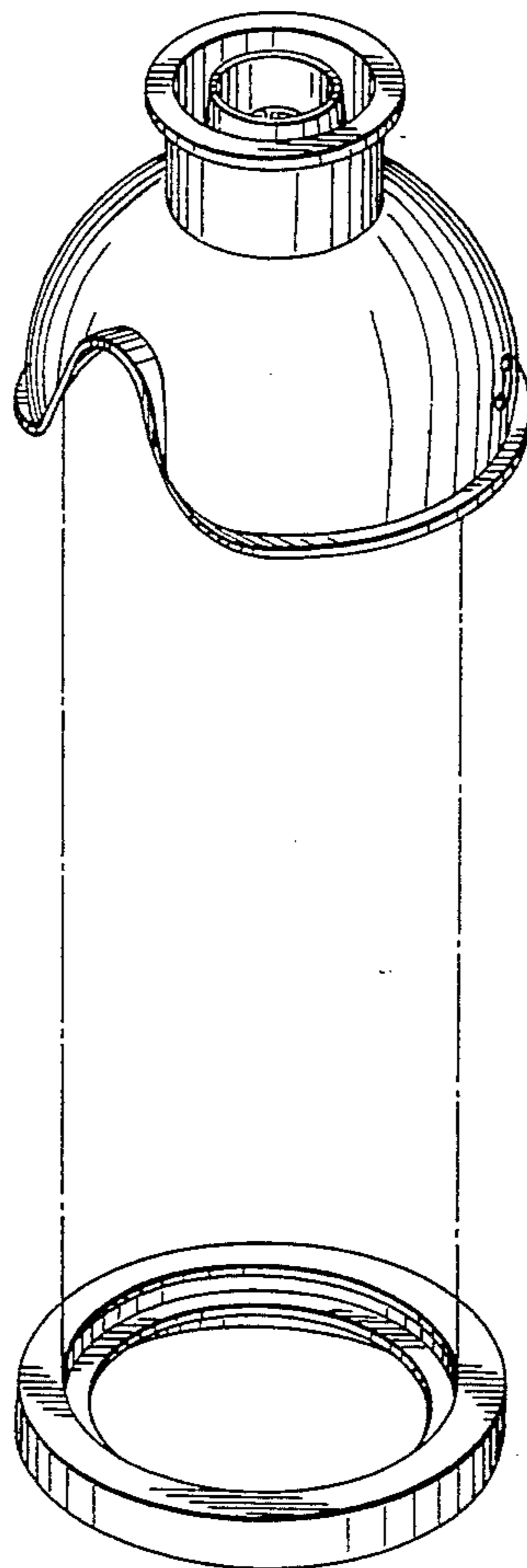
FIG. 7 is a bottom plan view of the facepiece as shown in FIG. 1;

FIG. 8 is a top view of the base;

FIG. 9 is a side view of the base; and,

FIG. 10 is a bottom view of the base.

The broken line showing the container in FIGS. 1 and 2 is for illustrative purposes only and forms no part of the claimed design.



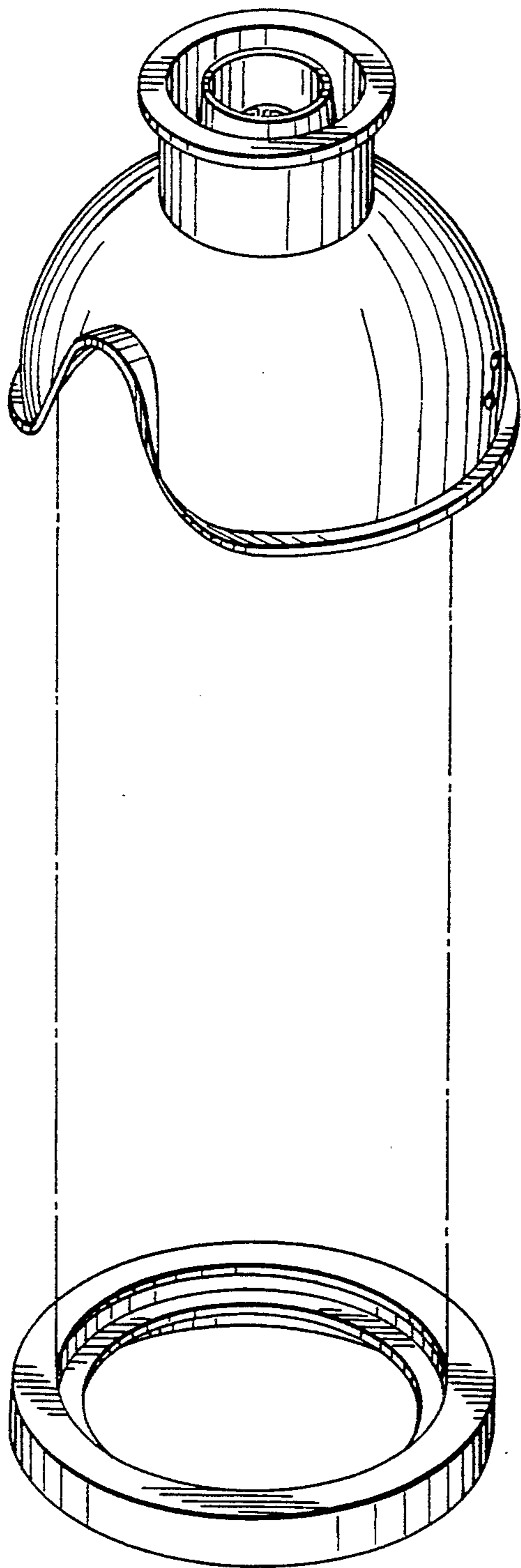


FIG. 1

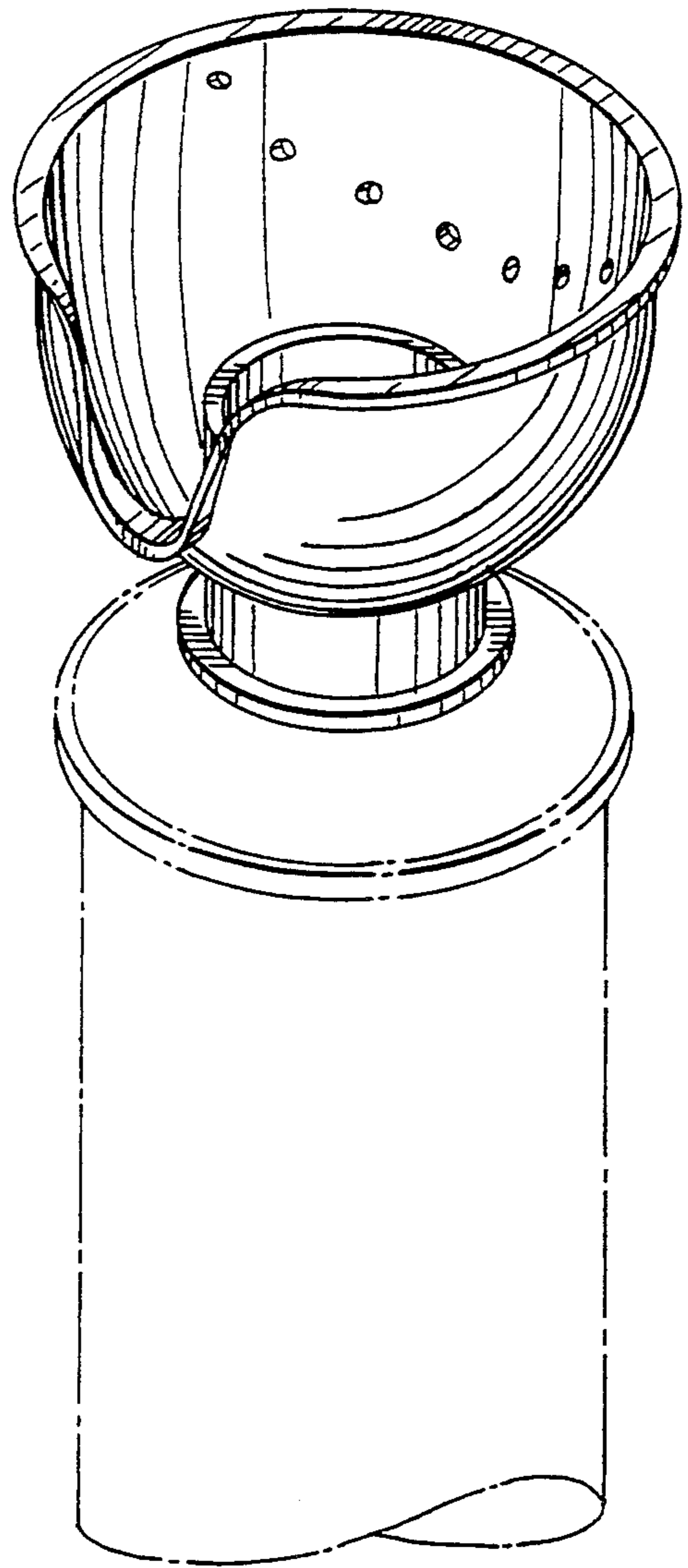


FIG. 2

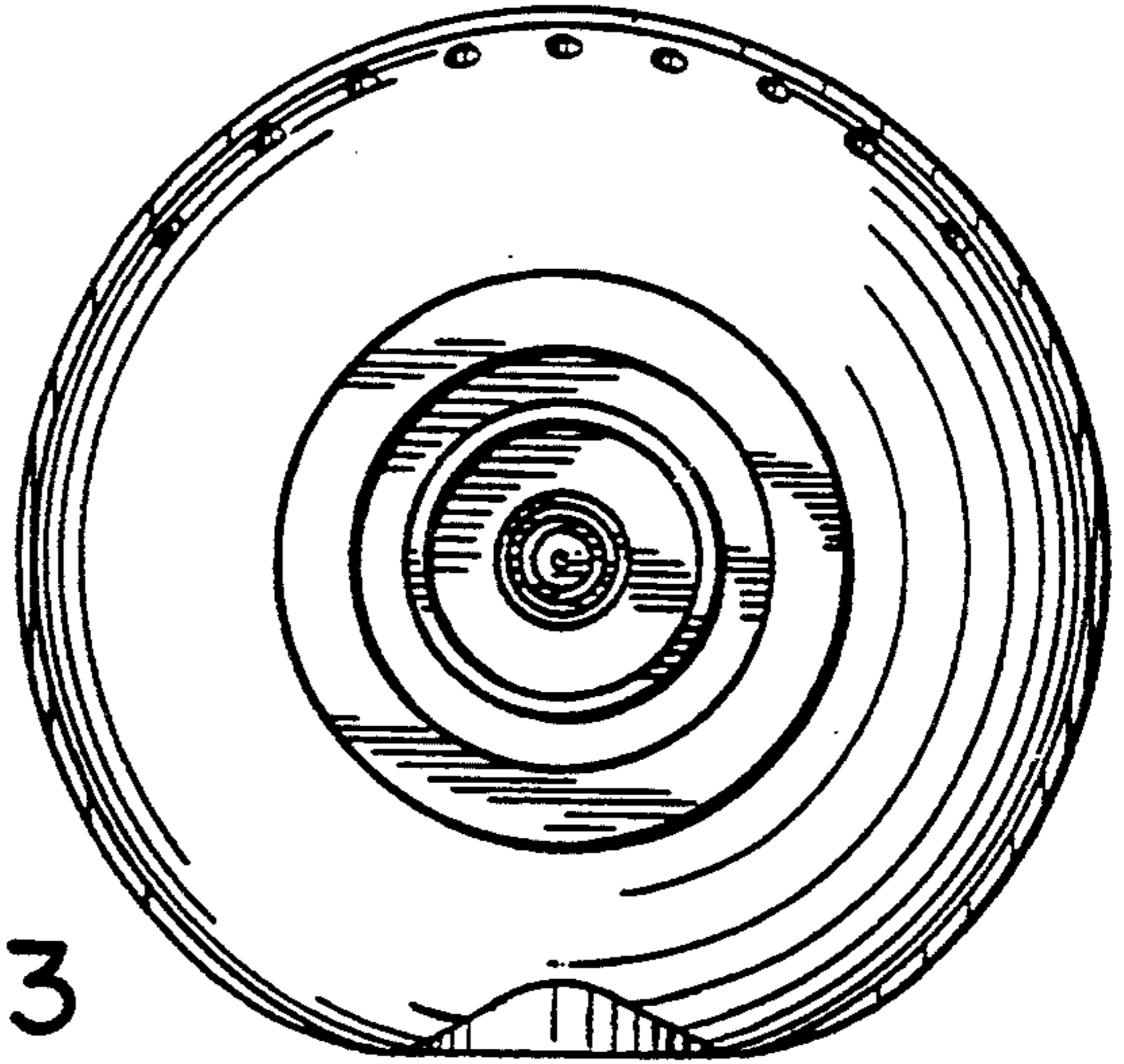


FIG. 3

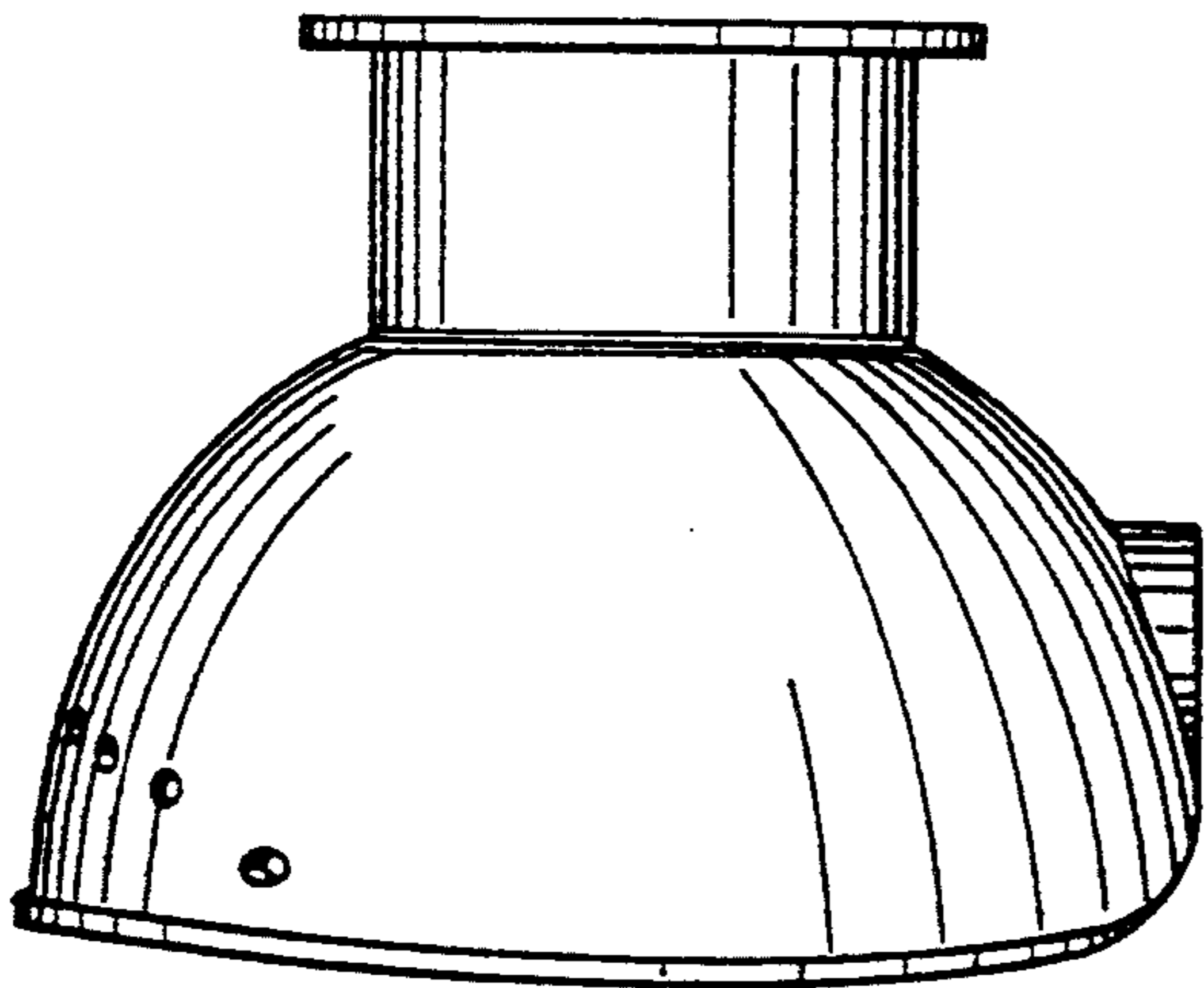


FIG. 5

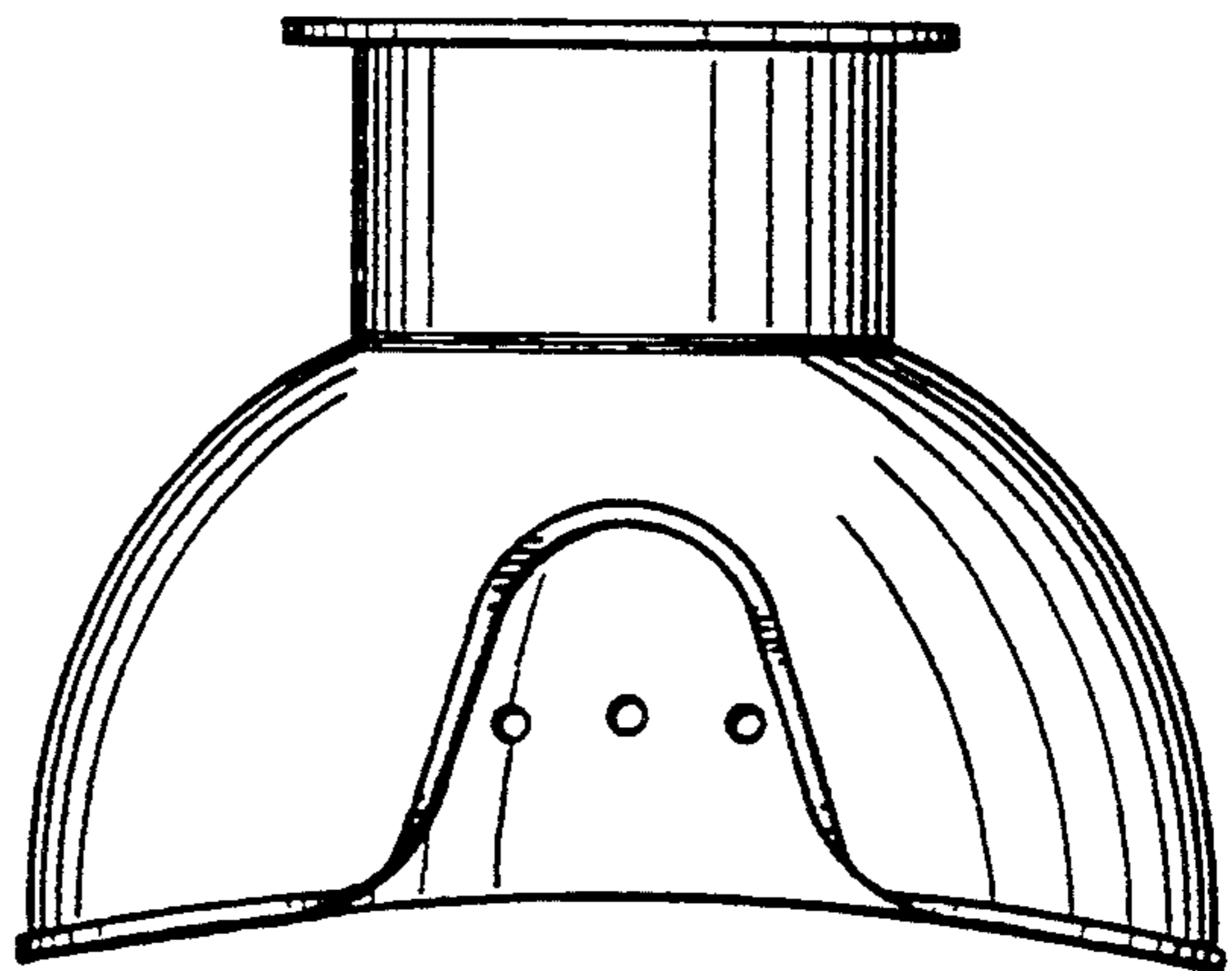


FIG. 4

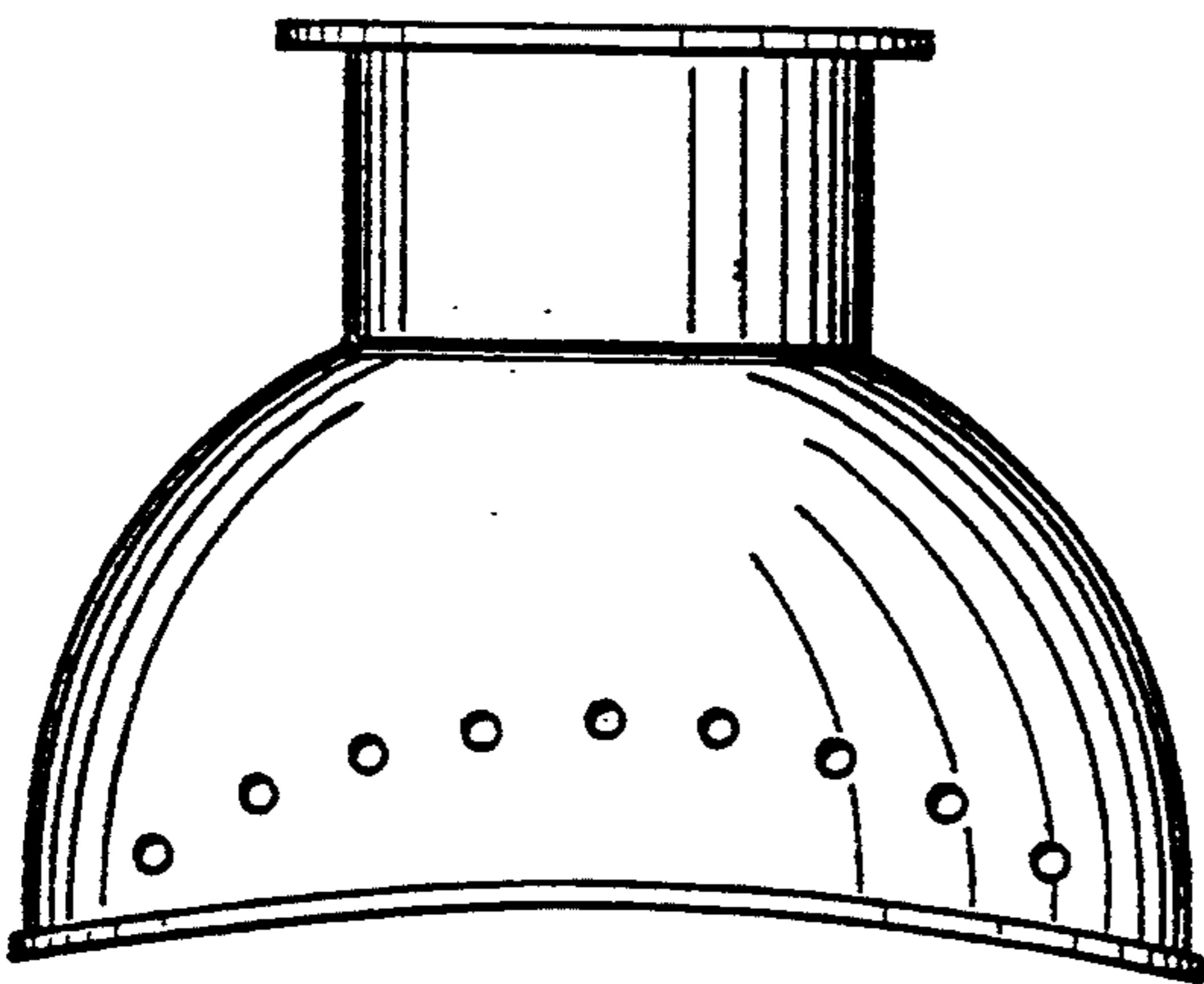


FIG. 6

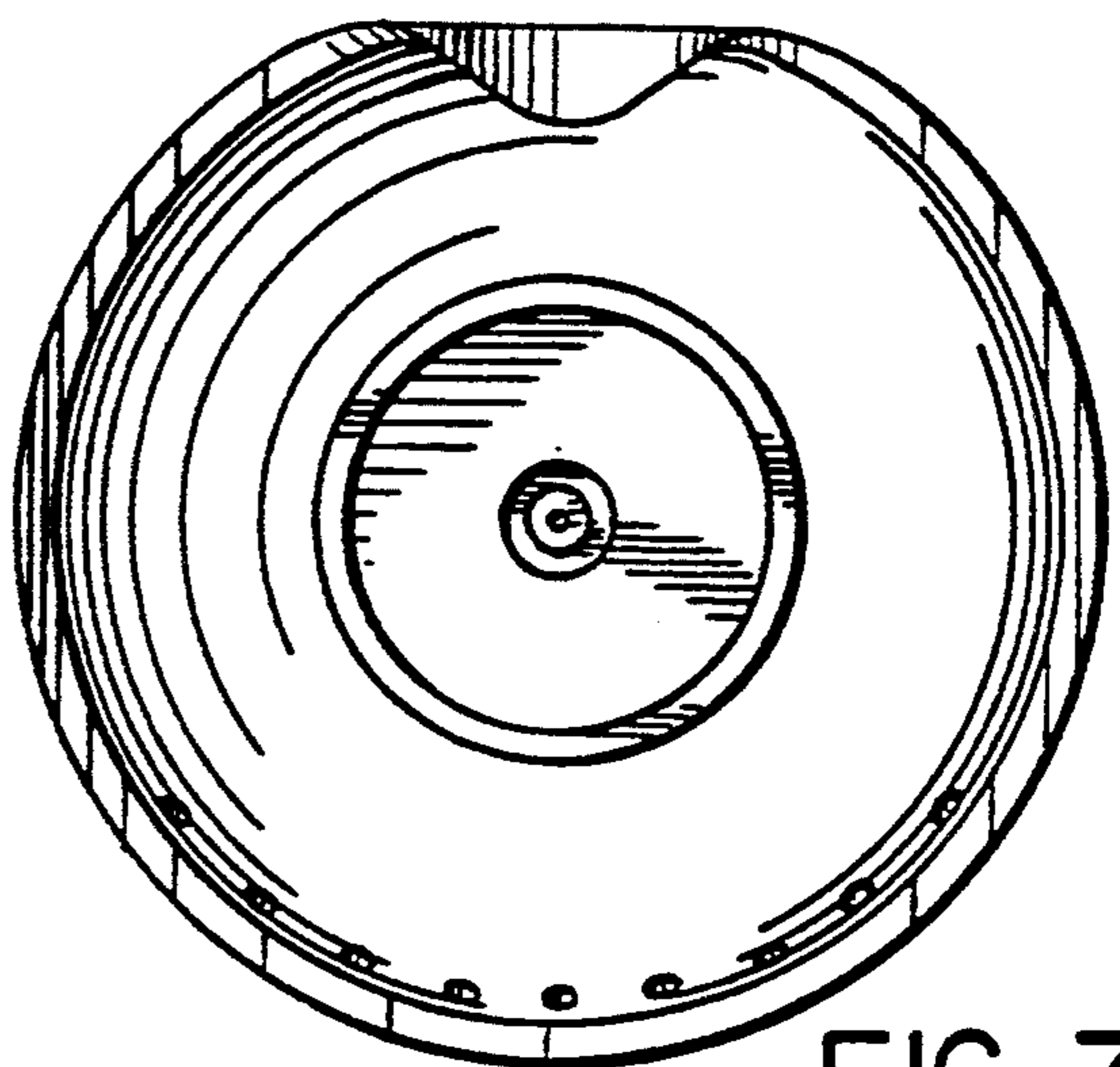


FIG. 7

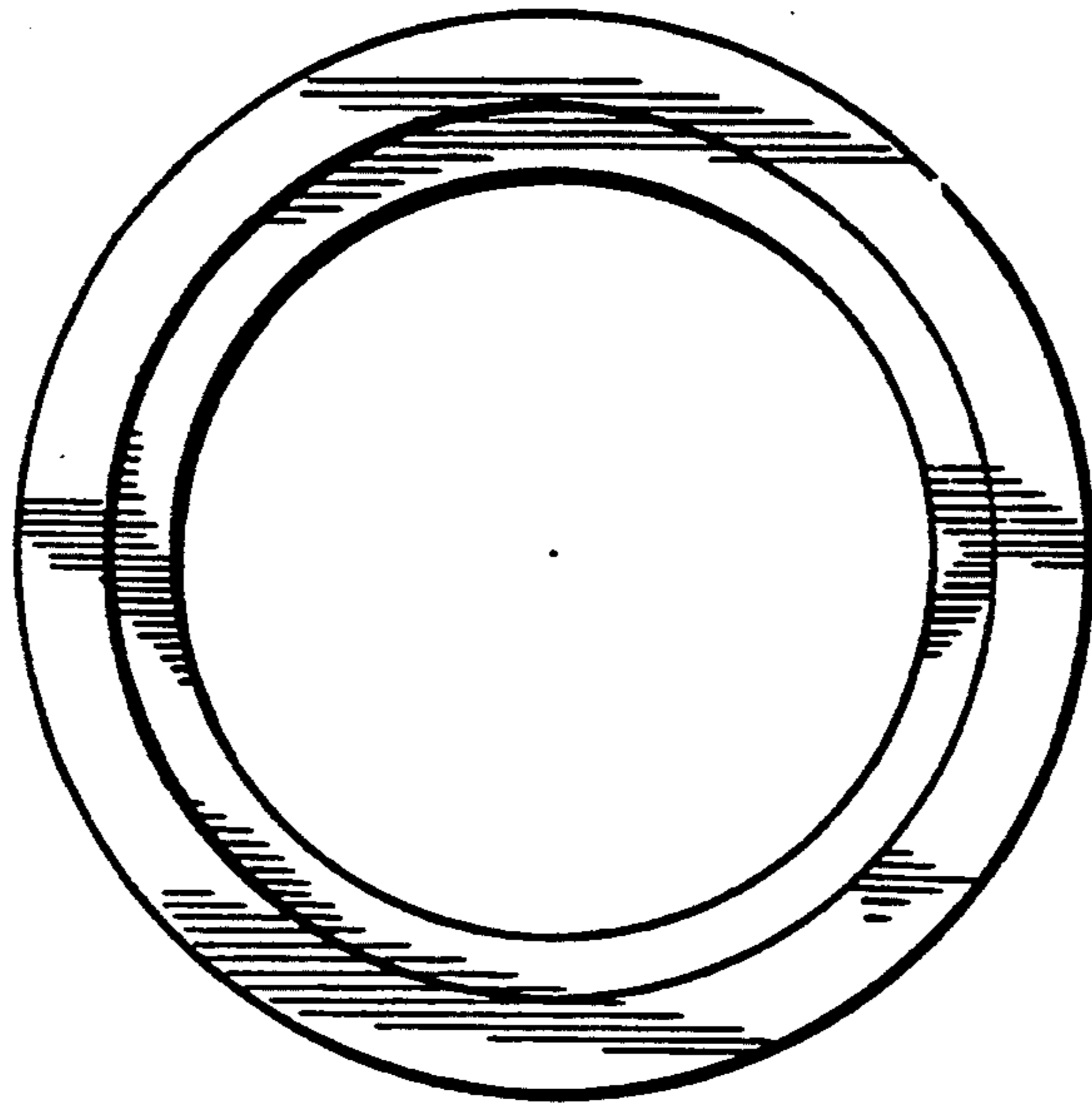


FIG. 8



FIG. 9

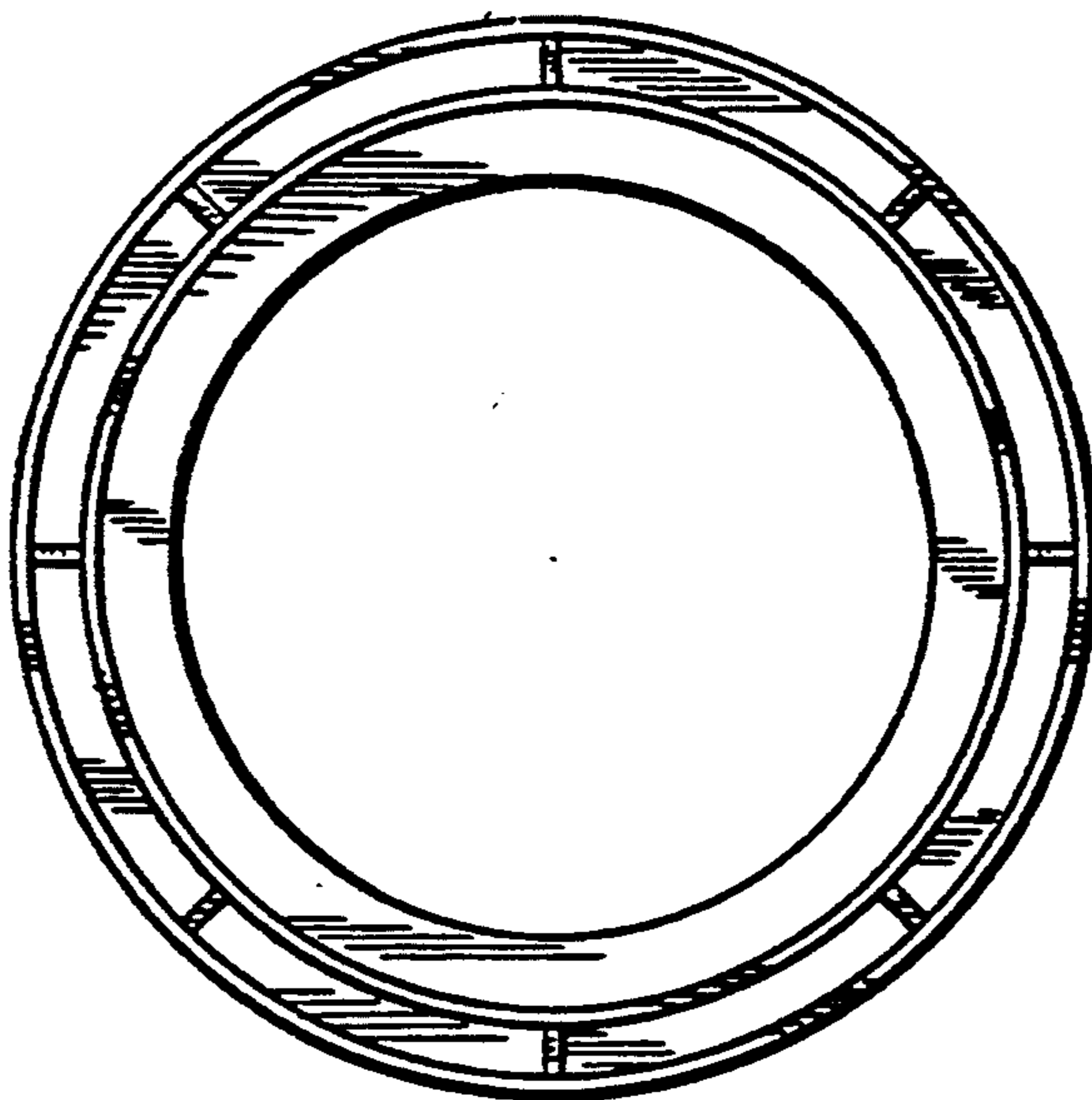


FIG. 10