



US00D356152S

United States Patent [19]

[11] Patent Number: **Des. 356,152**

Collmar

[45] Date of Patent: **** Mar. 7, 1995**

[54] COMBINED CEILING FAN AND LIGHT

- [75] Inventor: **Teddy P. Collmar**, Corona, Calif.
- [73] Assignee: **Great 2000 Enterprises, Inc.**, Corona, Calif.
- [**] Term: **14 Years**
- [21] Appl. No.: **19,881**
- [22] Filed: **Mar. 11, 1994**
- [52] U.S. Cl. **D23/377; D23/379; D23/385**
- [58] Field of Search **D23/377, 379, 385, 411, D23/413; 416/5; D26/81-86, 88, 59, 51, 72; 362/96; 392/364**

[56] References Cited

U.S. PATENT DOCUMENTS

- D. 329,894 9/1992 Scofield D23/377
- D. 346,858 5/1994 Lee D23/377

OTHER PUBLICATIONS

Beverly Hills Fan Co. cat, p. 26, ceiling fan A, top of page.

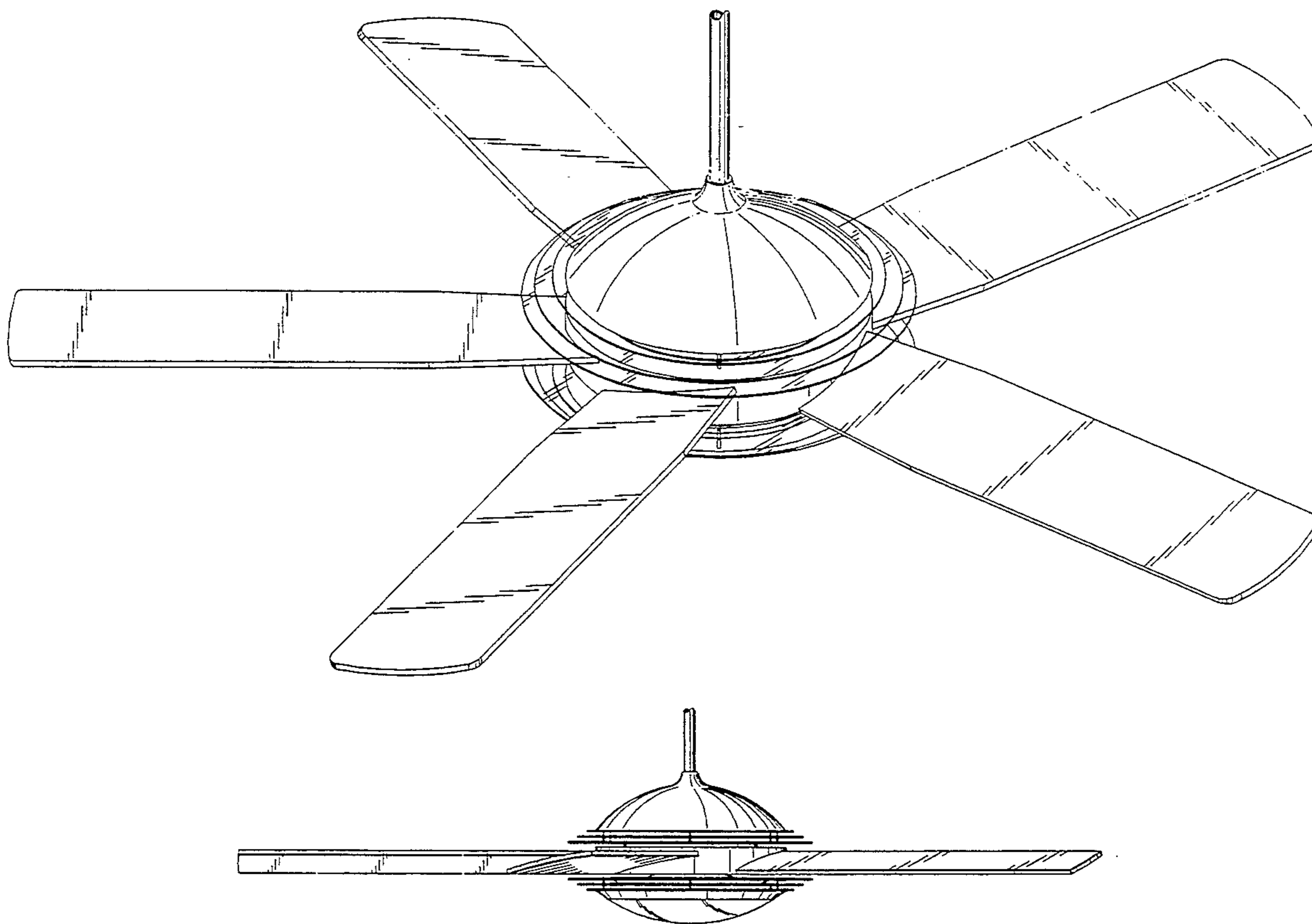
Primary Examiner—Lisa P. Lichtenstein
Attorney, Agent, or Firm—Steven G. Roeder

[57] CLAIM

The ornamental design for a combined ceiling fan and light, as shown and described.

DESCRIPTION

FIG. 1 is a top/side perspective view of a combined ceiling fan and light showing my new design;
 FIG. 2 is a side elevational view thereof on a reduced scale, the other sides being identical to that shown;
 FIG. 3 is a bottom plan view thereof on a greatly reduced scale; and,
 FIG. 4 is a bottom perspective view thereof.
 The support rod has been shown broken-away in FIGS. 1, 2 and 4 to indicate indeterminate length.



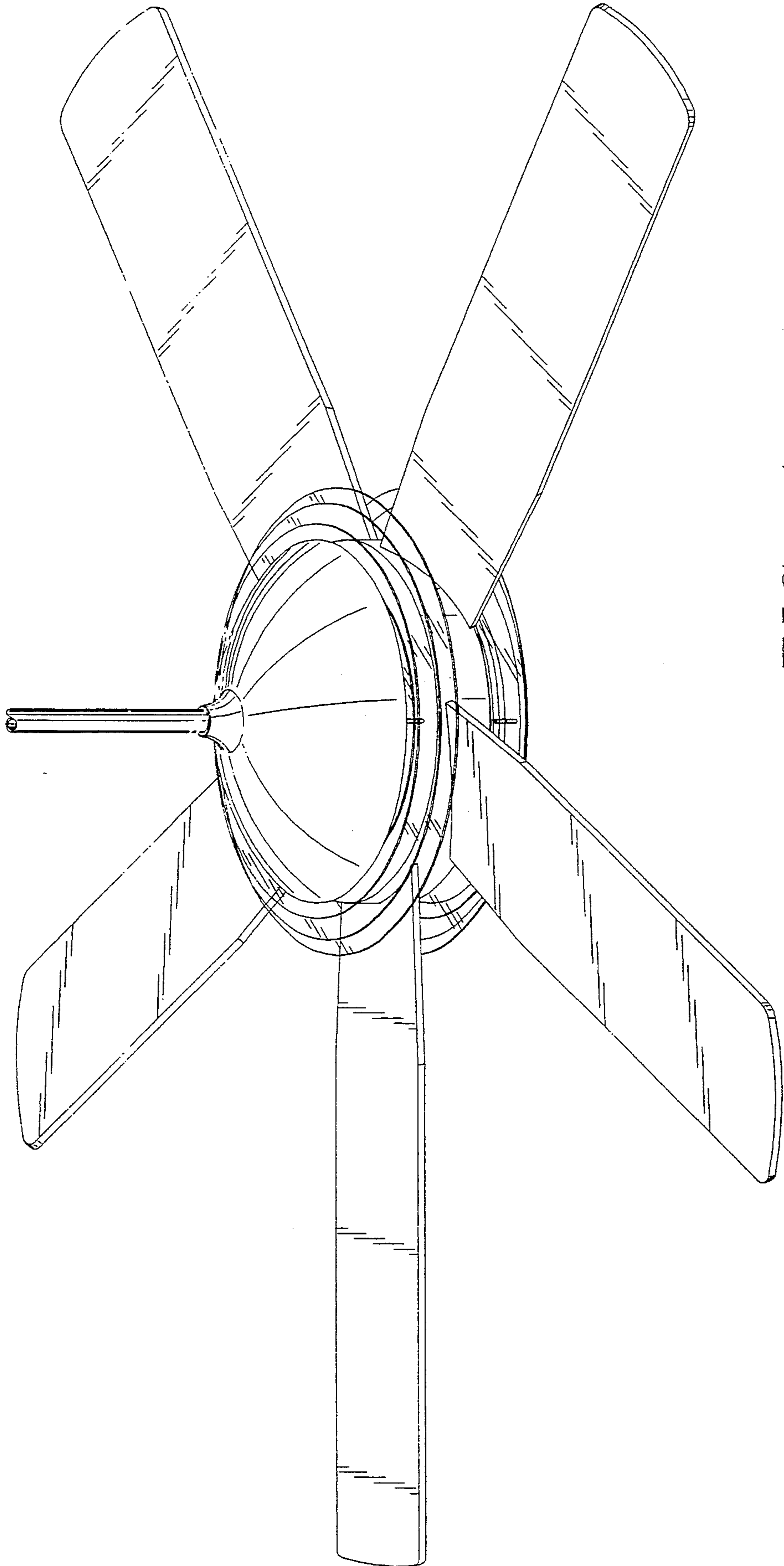


FIG. 1

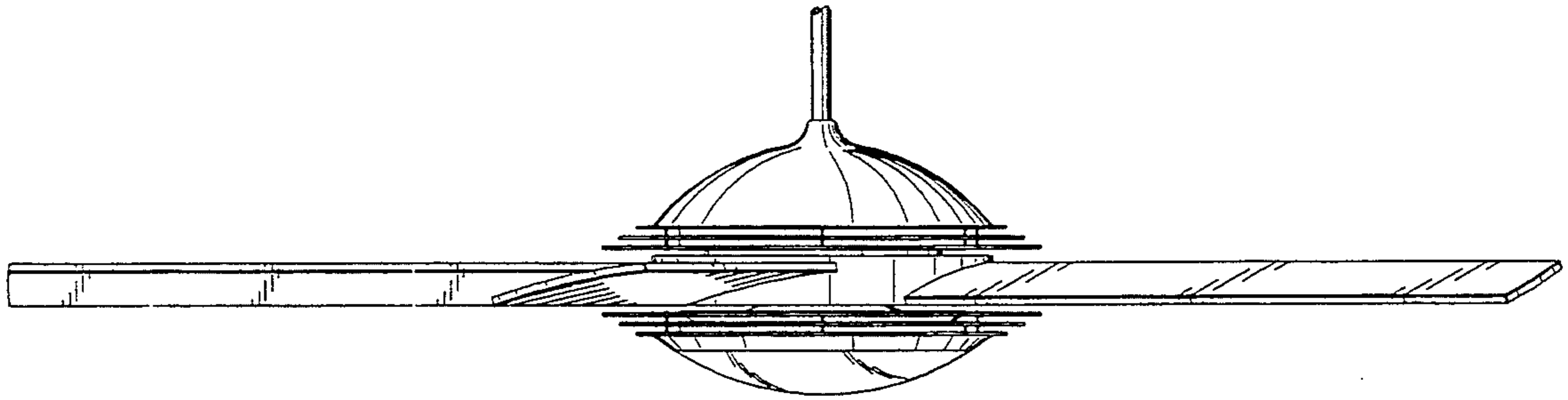


FIG. 2

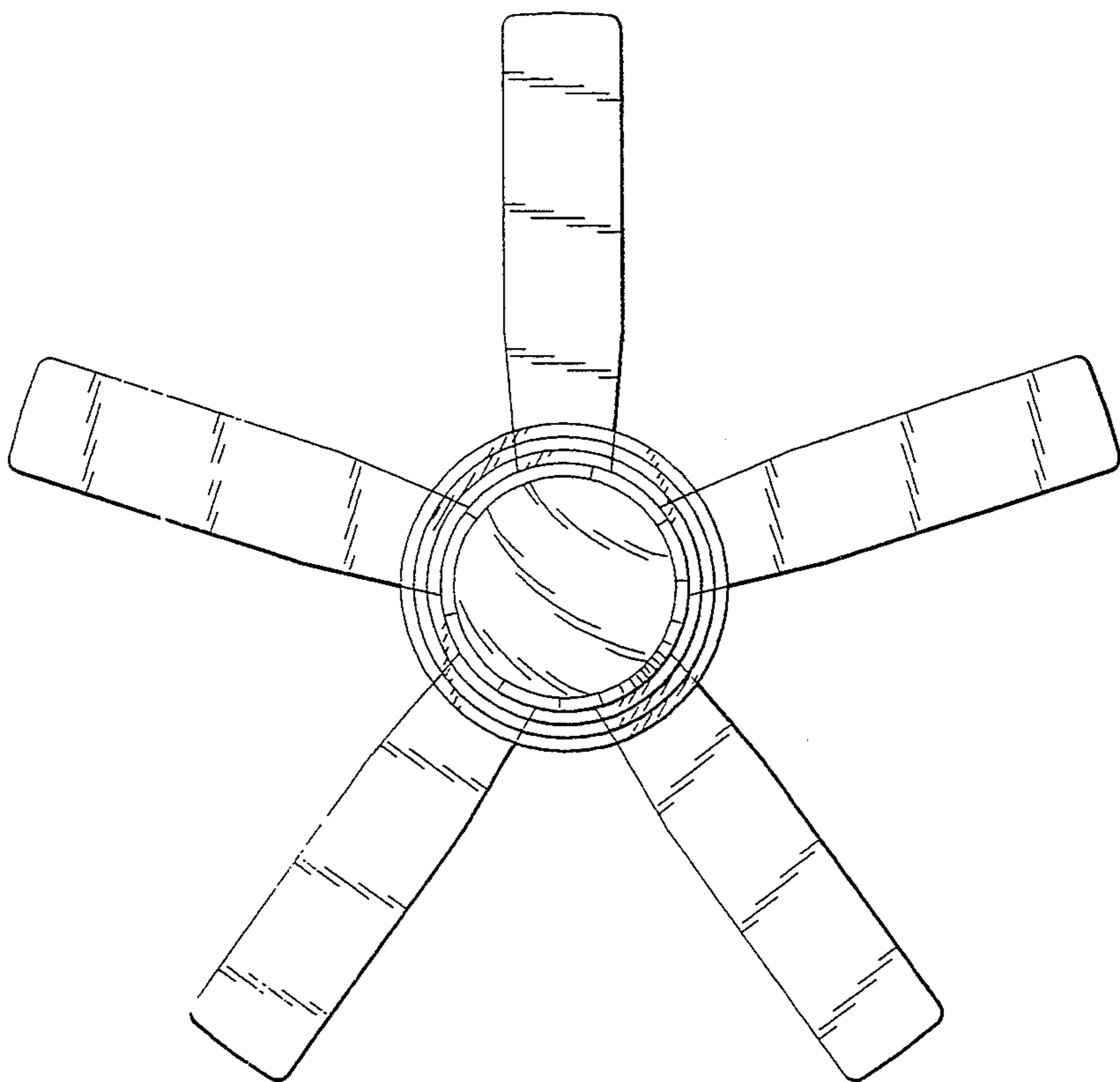


FIG. 3

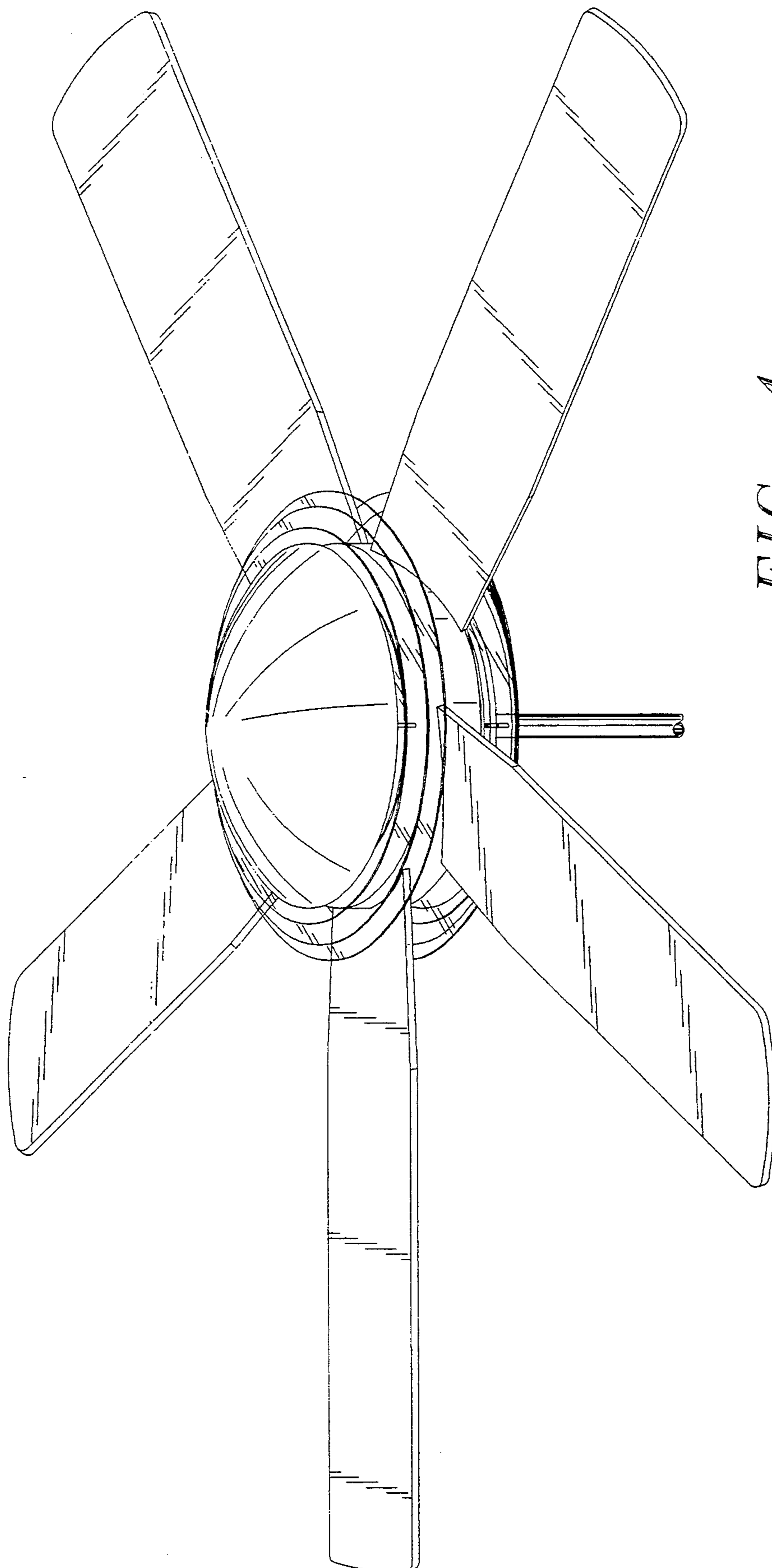


FIG. 4