



US00D356151S

# United States Patent [19]

[11] Patent Number: **Des. 356,151**

Ishii et al.

[45] Date of Patent: **\*\* Mar. 7, 1995**

[54] **PULSE MONITOR**

[75] Inventors: **Ichinosuke Ishii, Agatsuma; Kazuyoshi Ohshima, Seta, both of Japan**

[73] Assignee: **Nihon Seimitsu Sokki Co., Ltd., Shibuzawa, Japan**

[\*\*] Term: **14 Years**

[21] Appl. No.: **1,153**

[22] Filed: **Nov. 4, 1992**

[52] U.S. Cl. .... **D24/165**

[58] Field of Search ..... **D10/30, 32, 31, 38, D10/98; D24/165, 167, 169, 189; 128/667, 672, 680, 687, 689, 690**

[56] **References Cited**

**U.S. PATENT DOCUMENTS**

- D. 245,400 8/1977 Osawa et al. .... D10/30
- D. 269,546 6/1983 Rogers et al. .... D24/186
- D. 271,946 12/1983 Dobashi ..... D10/38

- D. 287,403 12/1986 Kiiski et al. .... D24/167
- 4,305,401 12/1981 Reissmueller et al. .... 128/690
- 4,338,950 7/1982 Barlow, Jr. et al. .... 128/687
- 5,226,425 7/1993 Righter ..... 128/706

*Primary Examiner*—A. Hugo Word  
*Assistant Examiner*—Eric M. Watterson  
*Attorney, Agent, or Firm*—Nikaido, Marmelstein, Murray & Oram

[57] **CLAIM**

The ornamental design for a pulse monitor, as shown and described.

**DESCRIPTION**

FIG. 1 is a perspective view of a pulse monitor showing our new design;  
FIG. 2 is a front elevational view;  
FIG. 3 is a right side elevation view;  
FIG. 4 is a top plan view;  
FIG. 5 is a bottom plan view thereof;  
FIG. 6 is a left side elevational view; and,  
FIG. 7 is a rear elevational view.

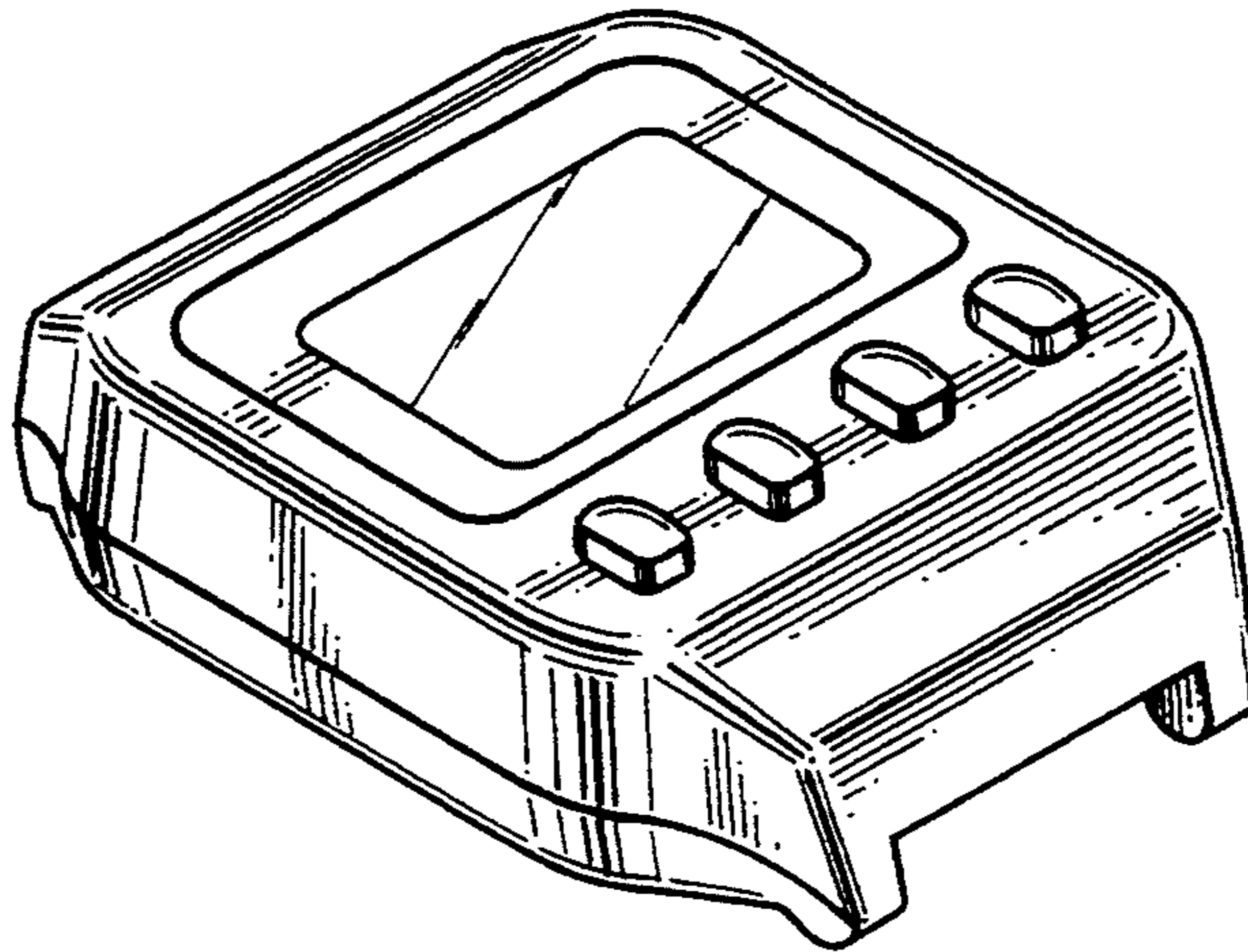


FIG.1

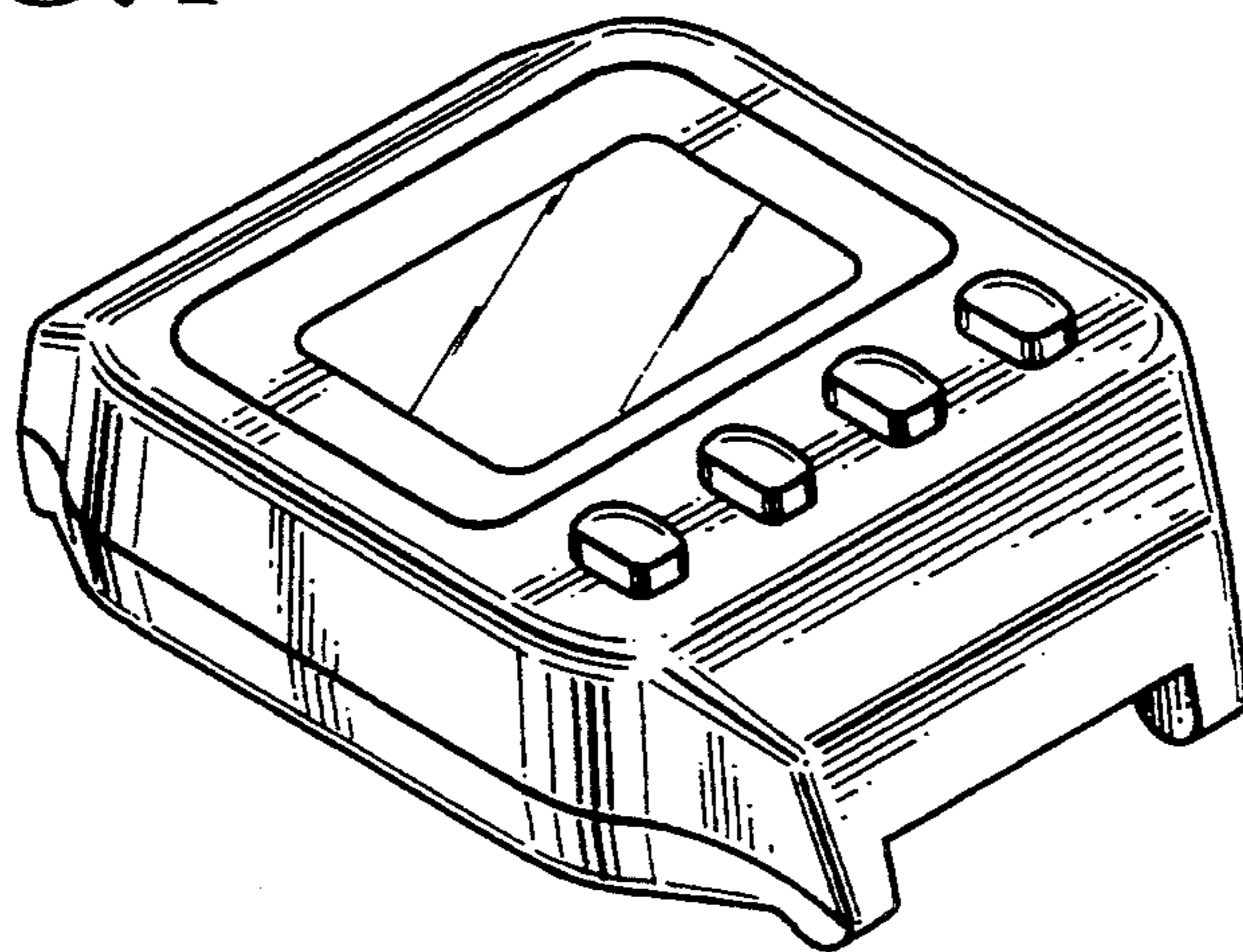


FIG.2

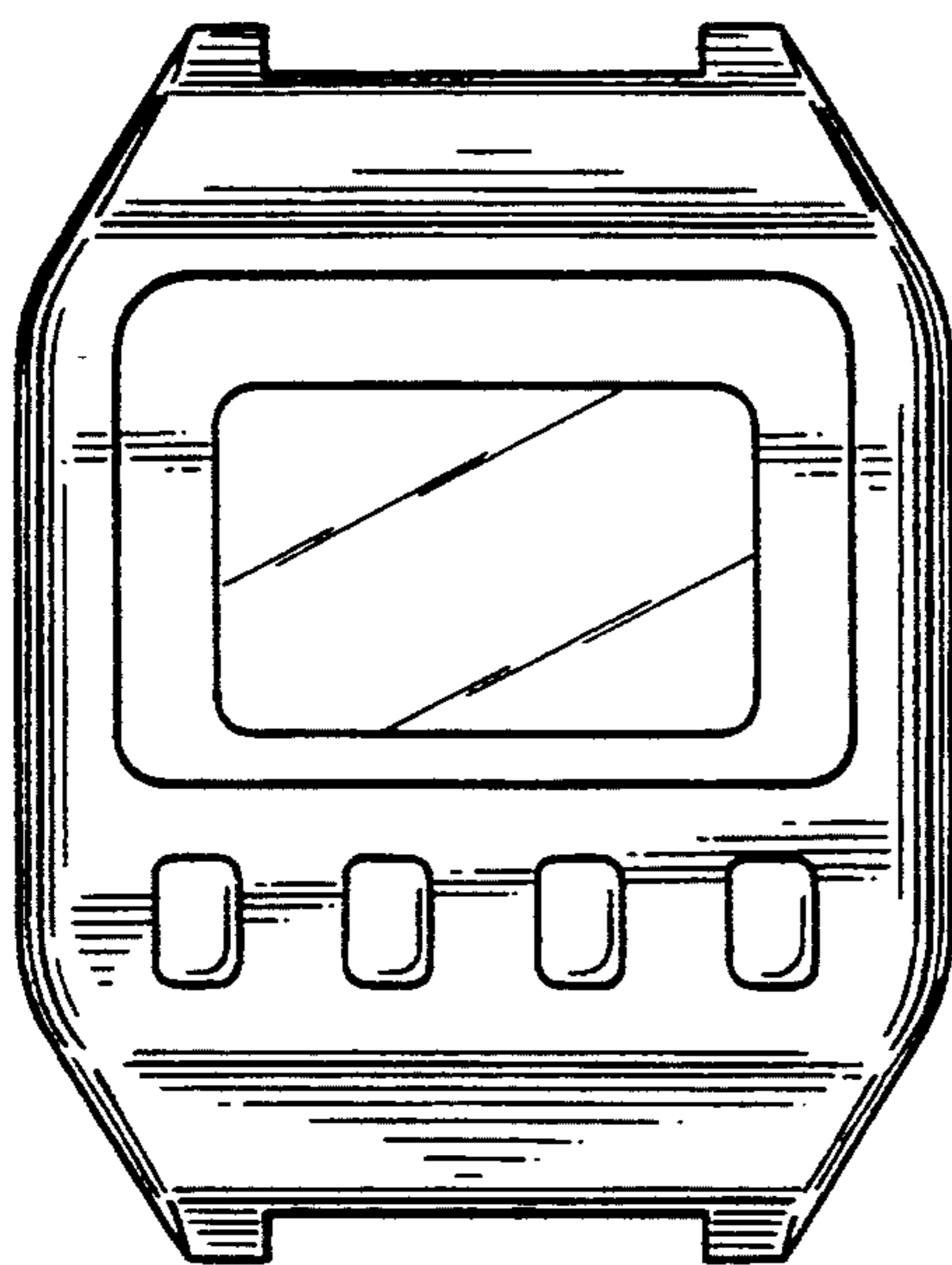


FIG.3

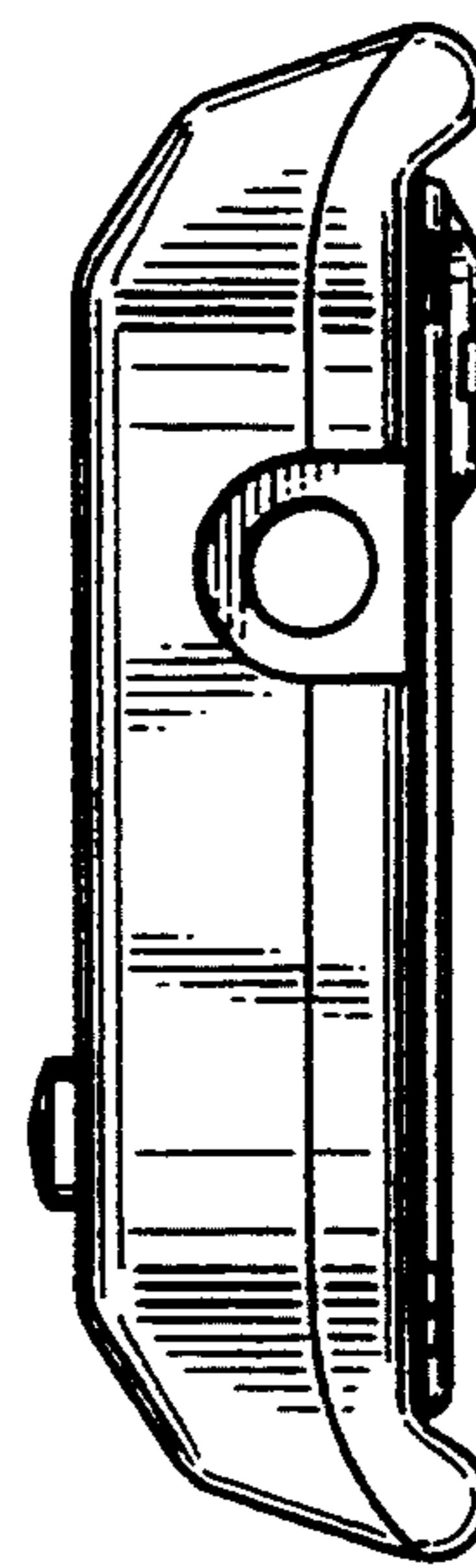


FIG.4

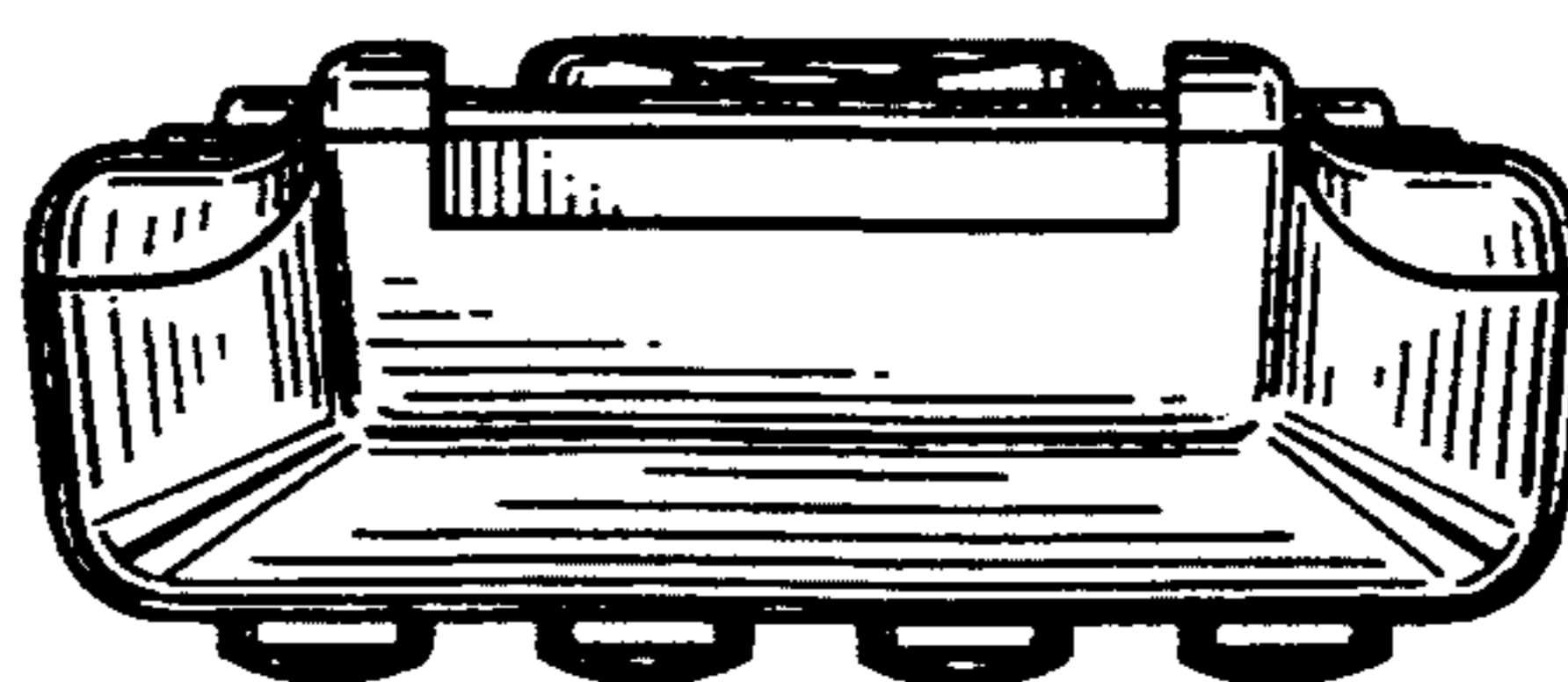


FIG.5

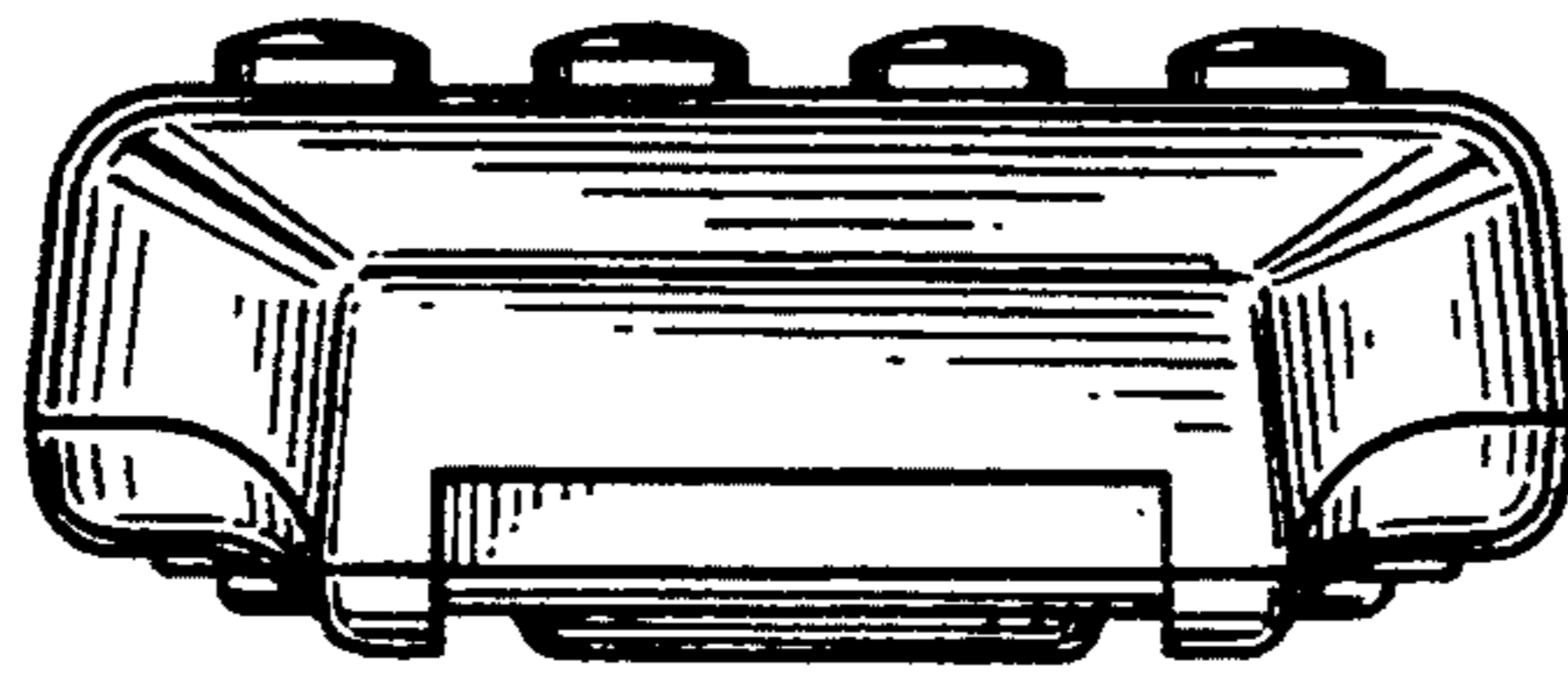


FIG.6

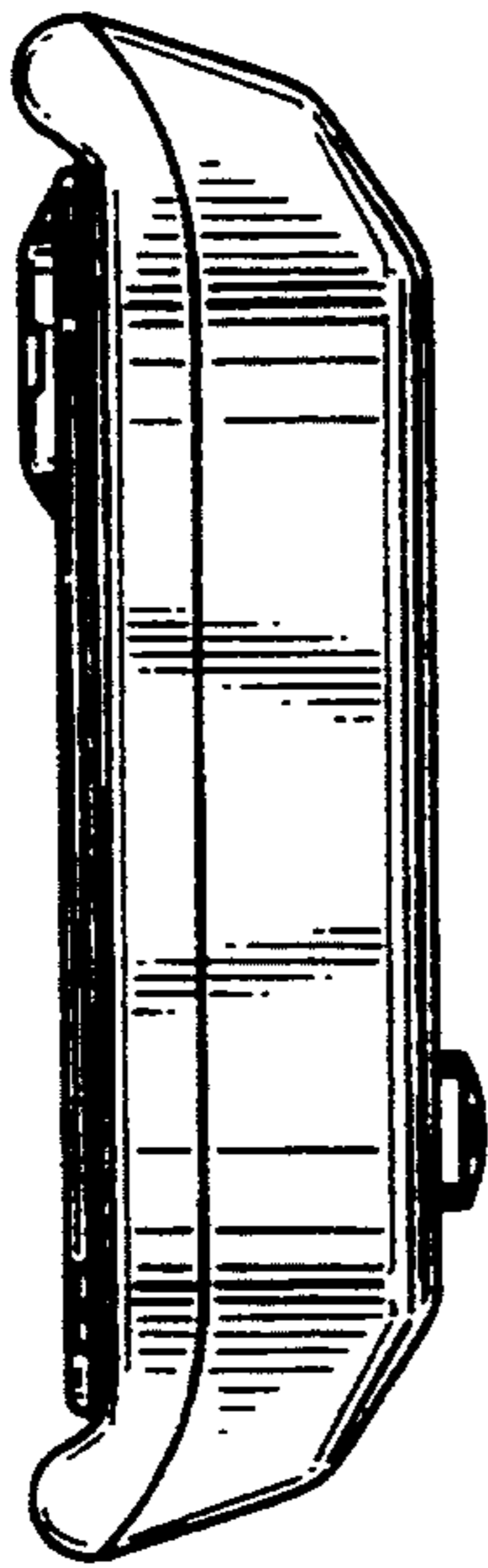


FIG.7

