



US00D356150S

United States Patent [19]

[11] Patent Number: **Des. 356,150**

Duggan et al.

[45] Date of Patent: **** Mar. 7, 1995**

[54] **CONTAINER CLOSURE WITH DRIP CHAMBER**

[75] Inventors: **Brendan J. Duggan, Standhill; Bernard E. Ryan, Kells, both of Ireland**

[73] Assignee: **Abbott Laboratories, Abbott Park, Ill.**

[**] Term: **14 Years**

[21] Appl. No.: **13,861**

[22] Filed: **Oct. 4, 1993**

[52] U.S. Cl. **D24/112**

[58] Field of Search **D24/108, 107, 129, 112; 604/251, 252, 248, 80**

[56] **References Cited**

U.S. PATENT DOCUMENTS

D. 284,222	6/1986	Hamilton	D24/129
D. 341,420	11/1993	Conn	D24/129 X
4,037,597	7/1977	Forberg	604/251
4,601,712	7/1986	Cole et al.	604/251
4,673,397	6/1987	Lynn et al.	604/251
4,986,821	1/1991	Kamen	604/251

OTHER PUBLICATIONS

Sales Literature from Fresenius for **SONDOMAT®**, specifically for "Flaschensystem" shown on the fourth page of brochure Oct. 5, 1993.

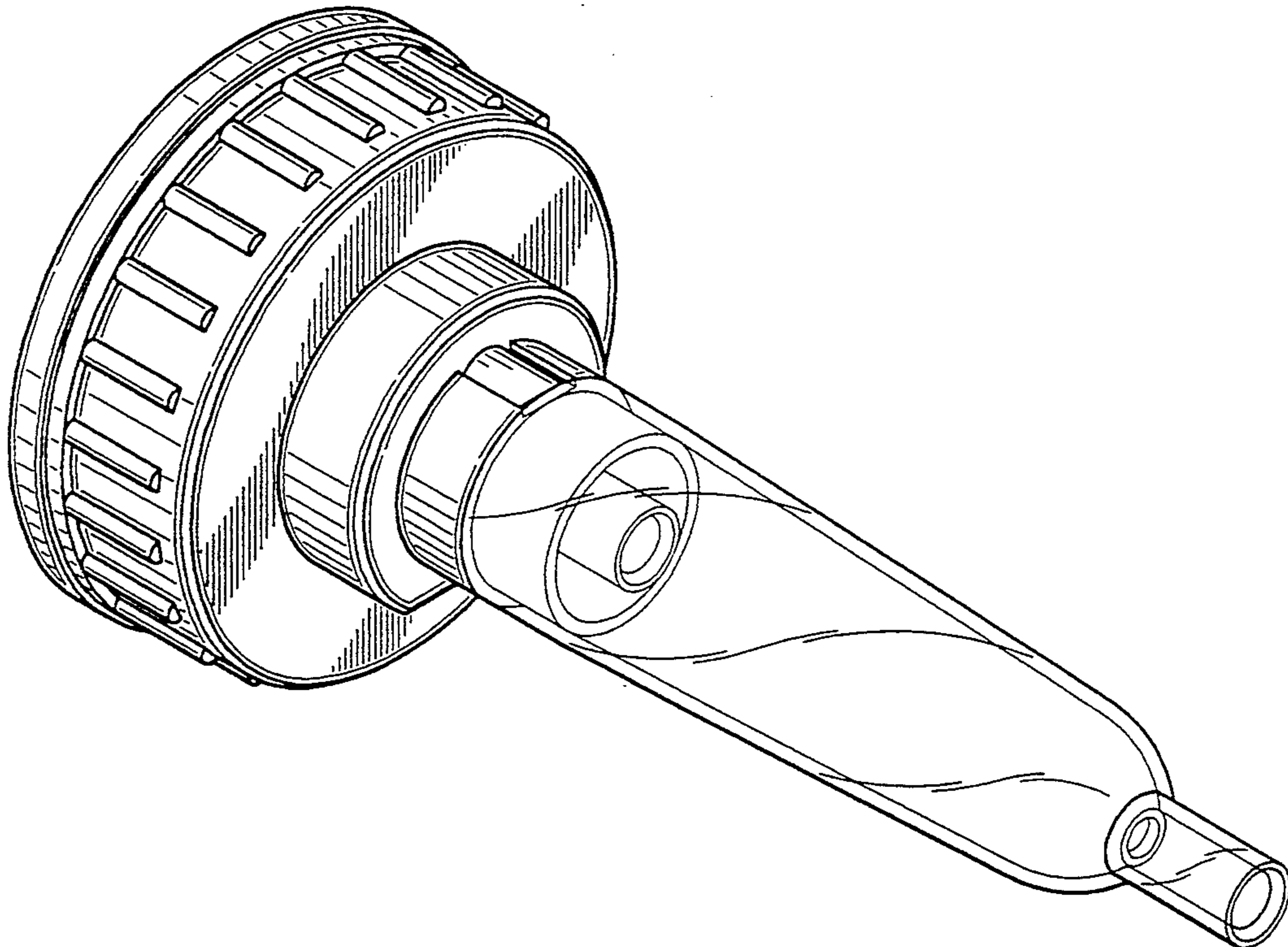
Primary Examiner—Stella Reid
Attorney, Agent, or Firm—Lonnie R. Drayer; Donald O. Nickey

[57] **CLAIM**

The ornamental design for a container closure with drip chamber, as shown and described.

DESCRIPTION

FIG. 1 is a first perspective view of a container closure with drip chamber showing our new design; FIG. 2 is a second perspective view thereof; FIG. 3 is a front elevation view thereof; FIG. 4 is a left elevation view thereof; FIG. 5 is a right elevation view thereof; FIG. 6 is a rear elevation view thereof; FIG. 7 is a top view thereof; FIG. 8 is a bottom view thereof; FIG. 9 is a first perspective view of a container closure with drip chamber showing an alternative embodiment of our new design; FIG. 10 is a second perspective view thereof; FIG. 11 is a front elevation view thereof; FIG. 12 is a left elevation view thereof; FIG. 13 is a right elevation view thereof; and, FIG. 14 is a rear elevation view thereof, it being understood that top and bottom views of this alternative embodiment are the same as FIGS. 7 and 8, respectively.



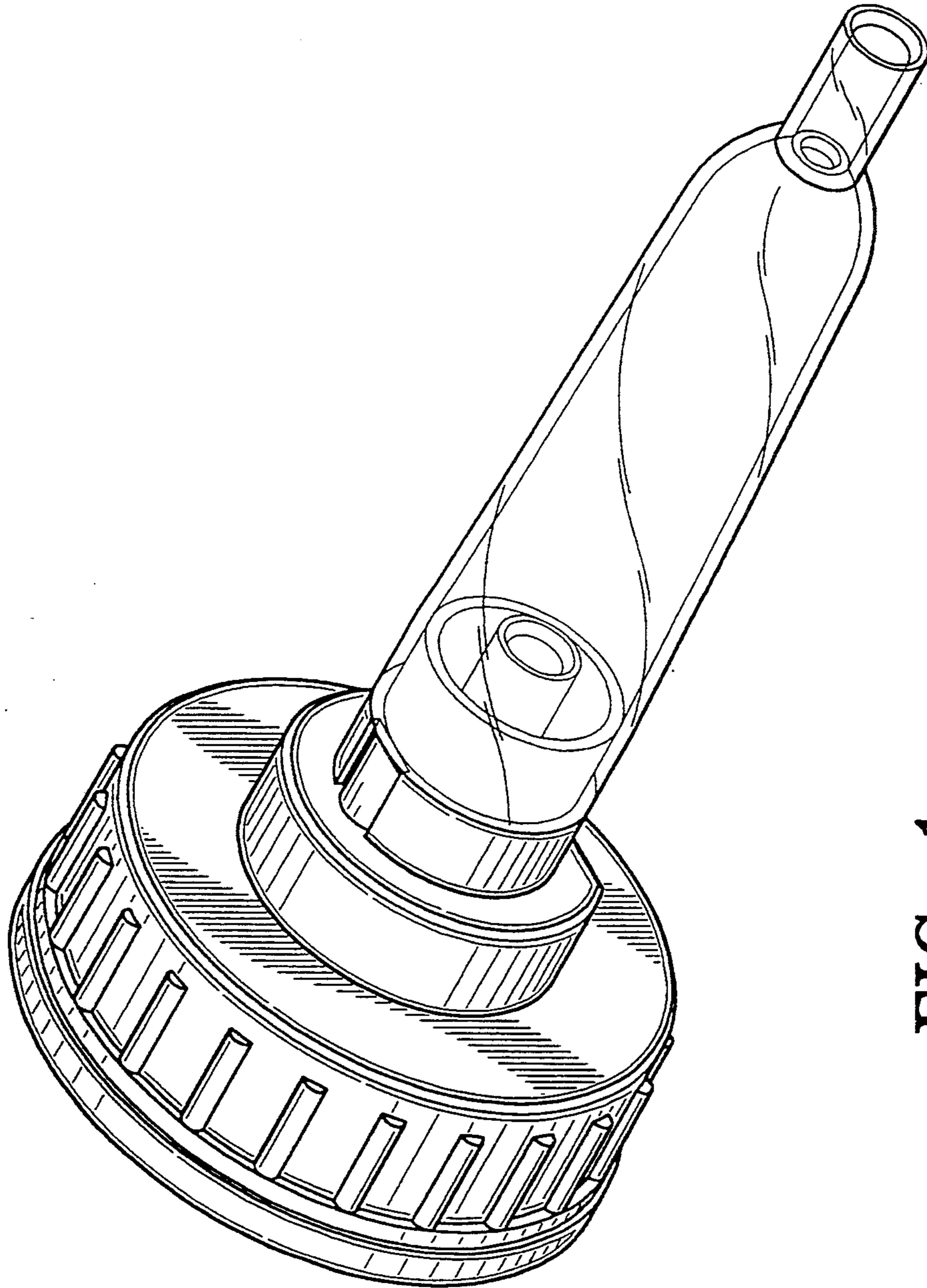


FIG-1

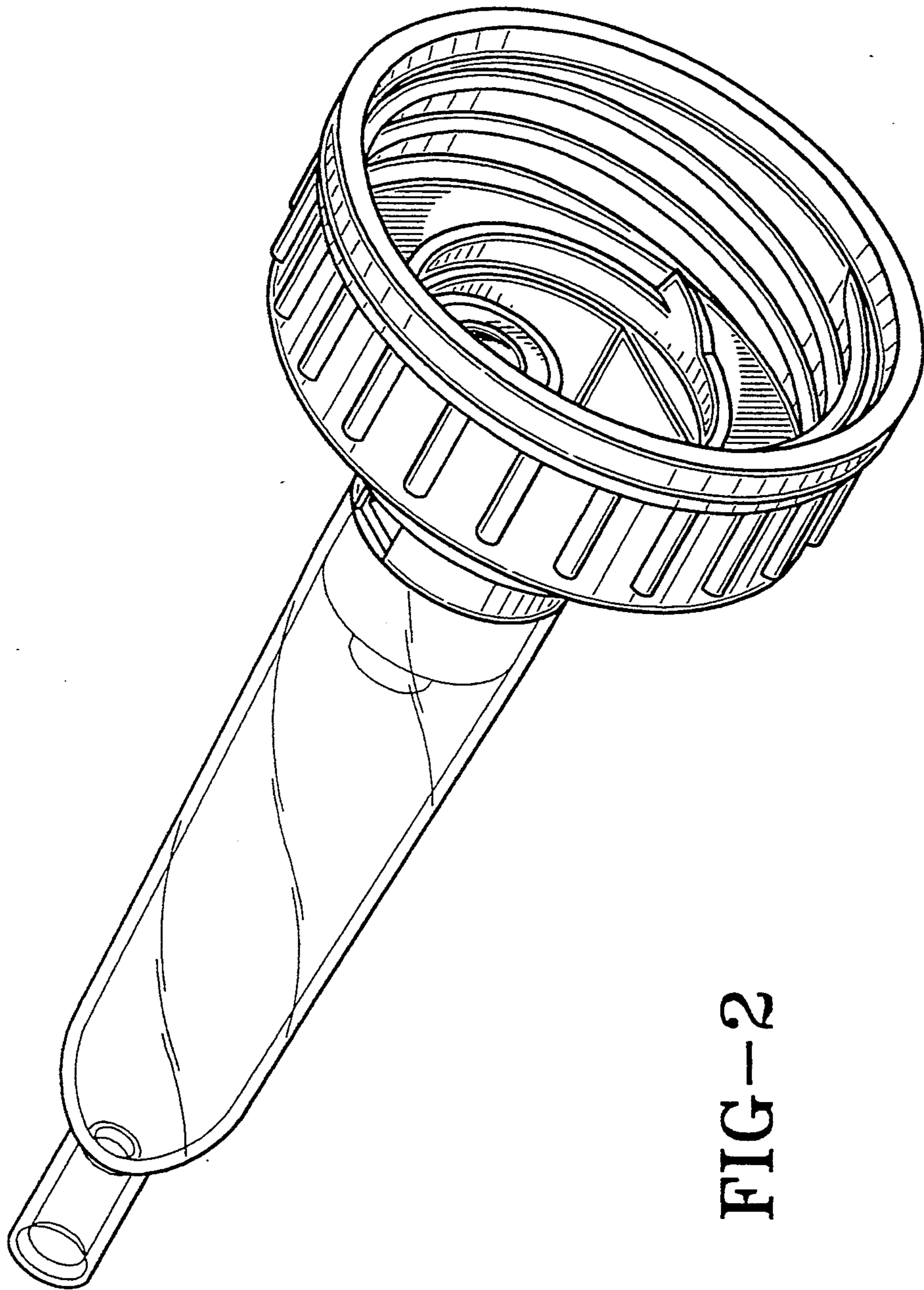


FIG-2

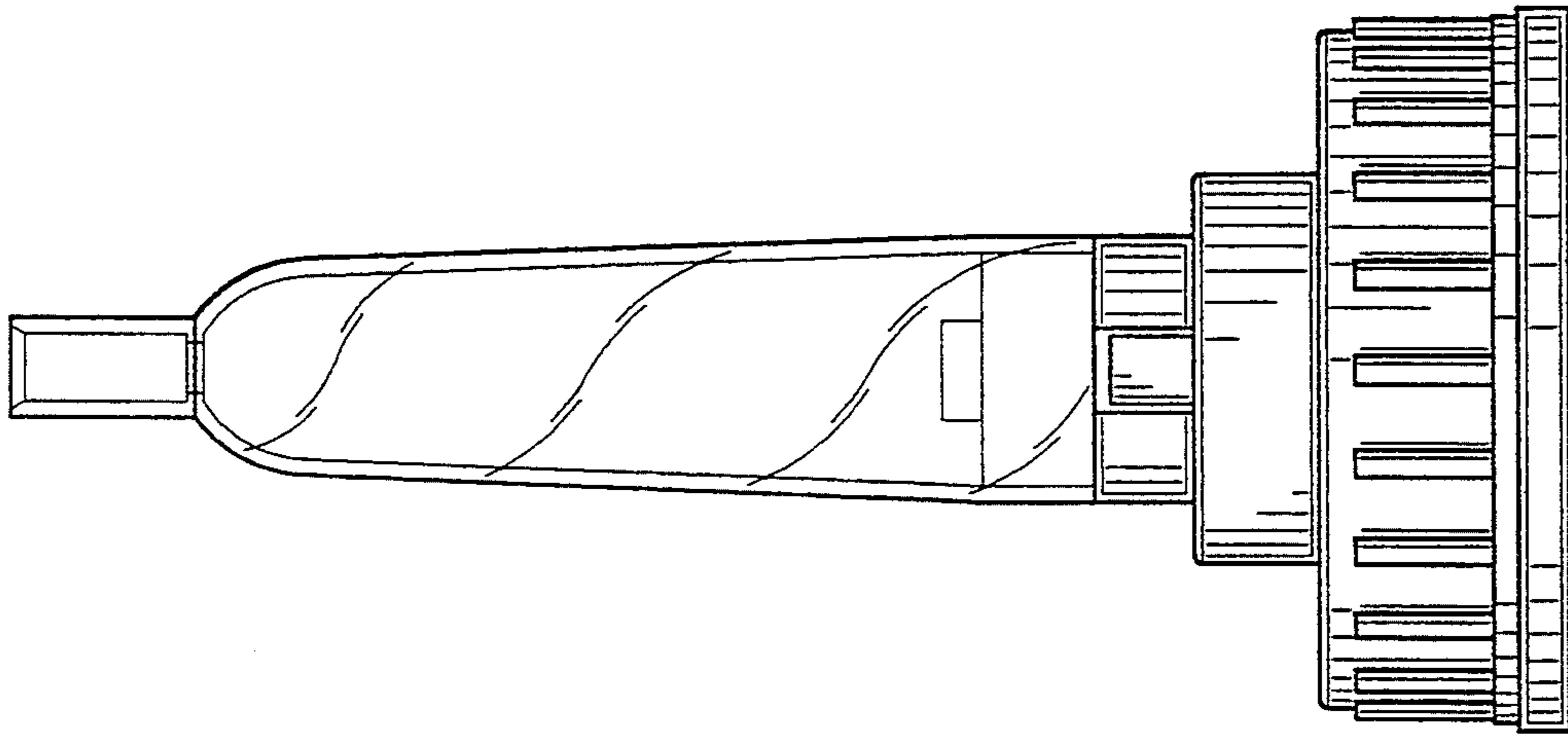


FIG-5

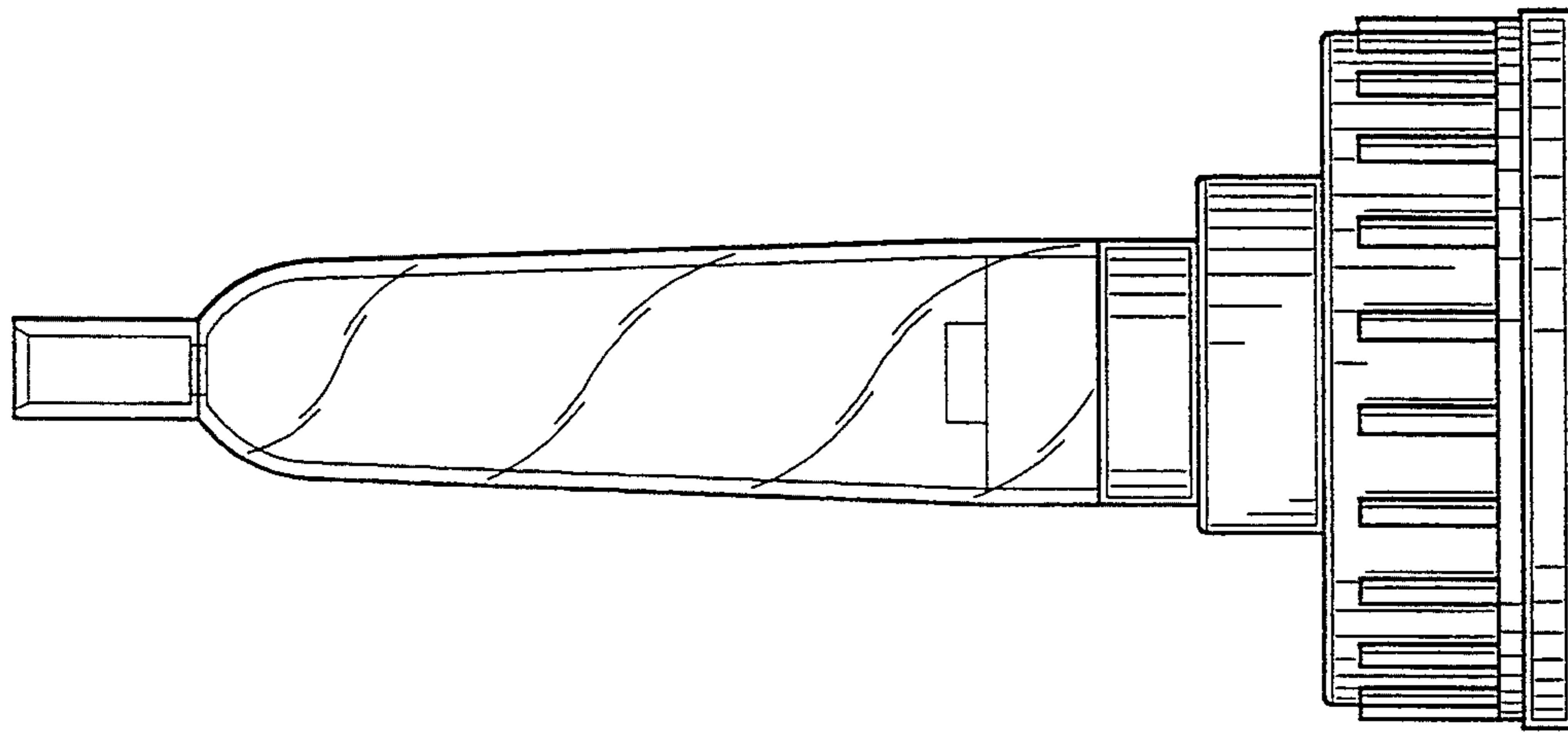


FIG-3

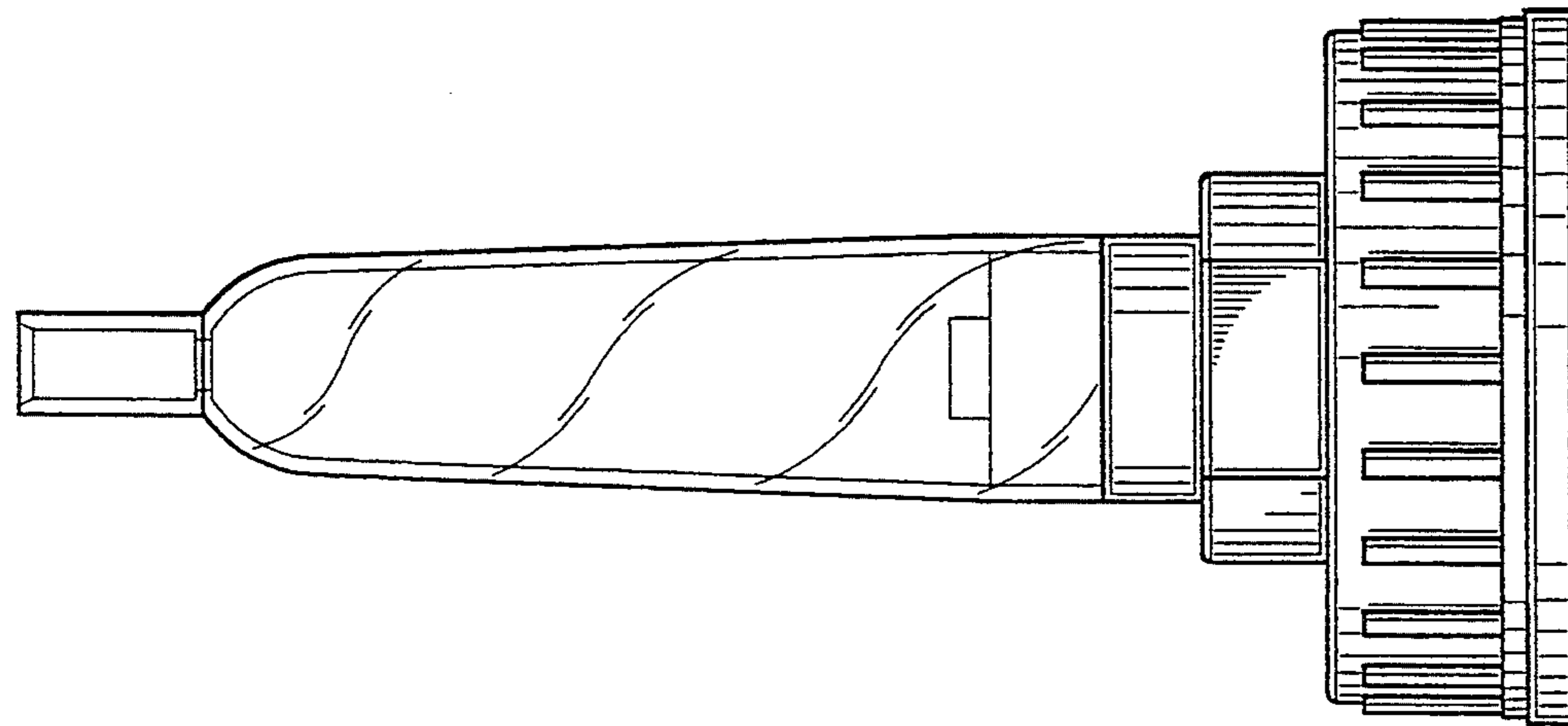


FIG-4

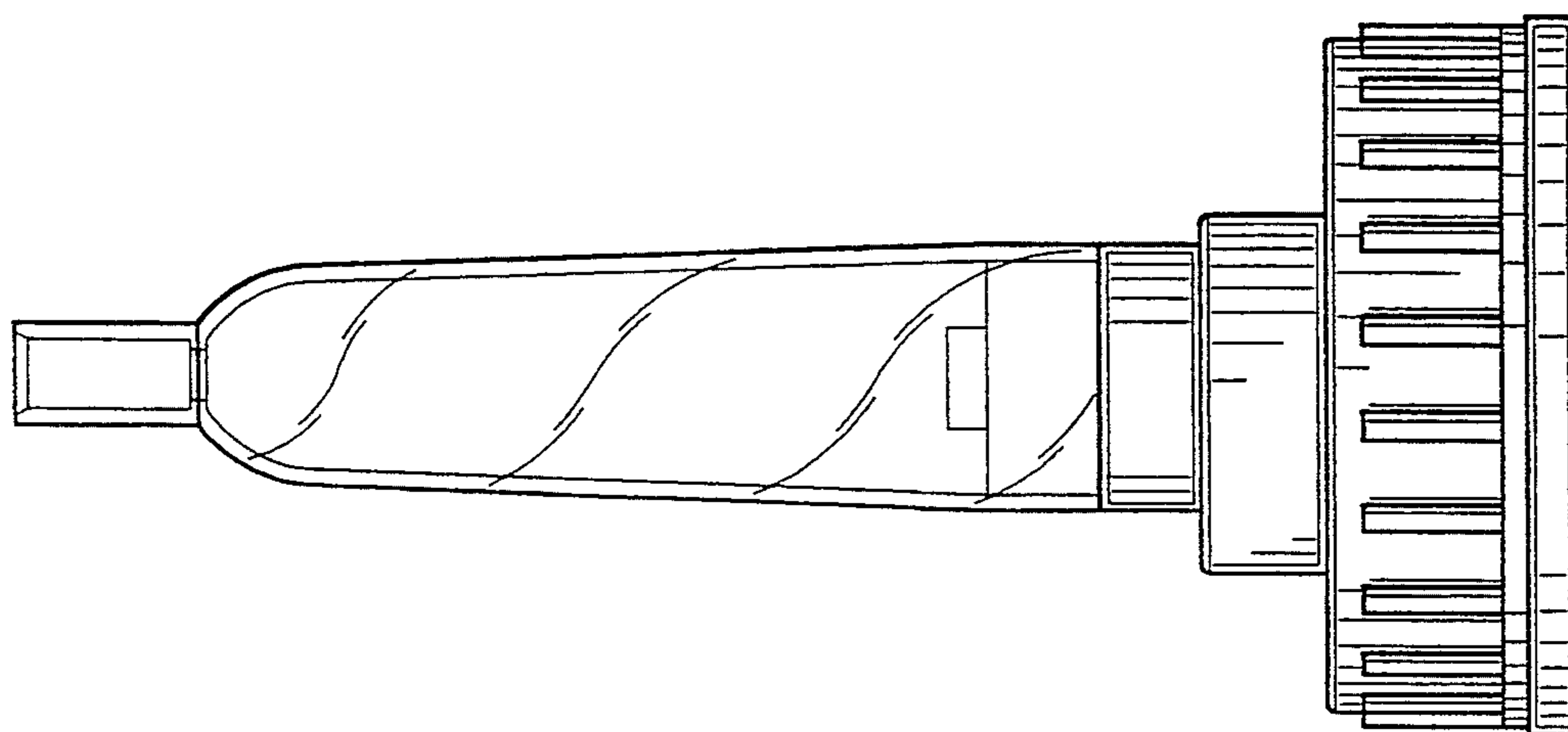


FIG-6

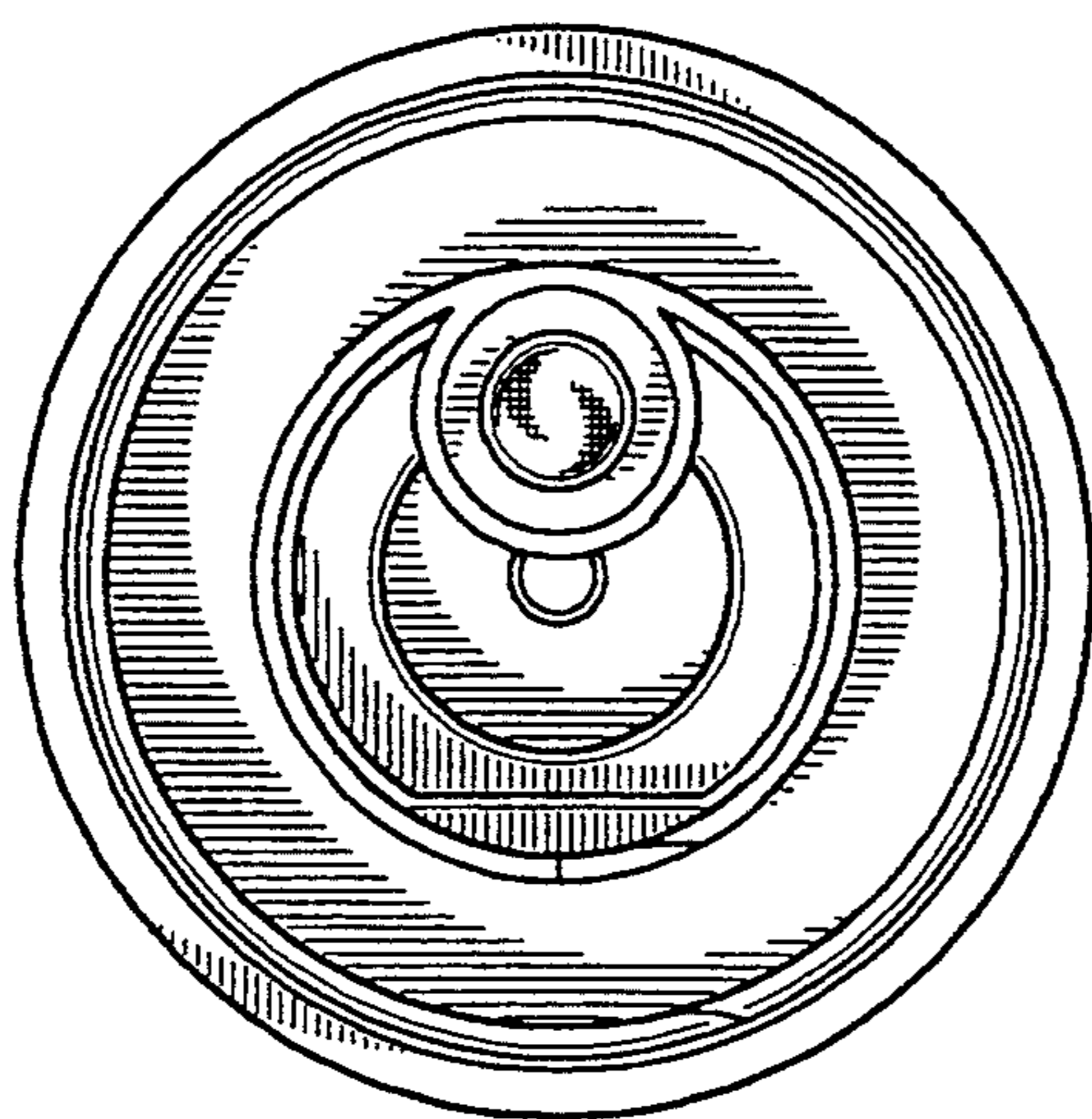


FIG-7

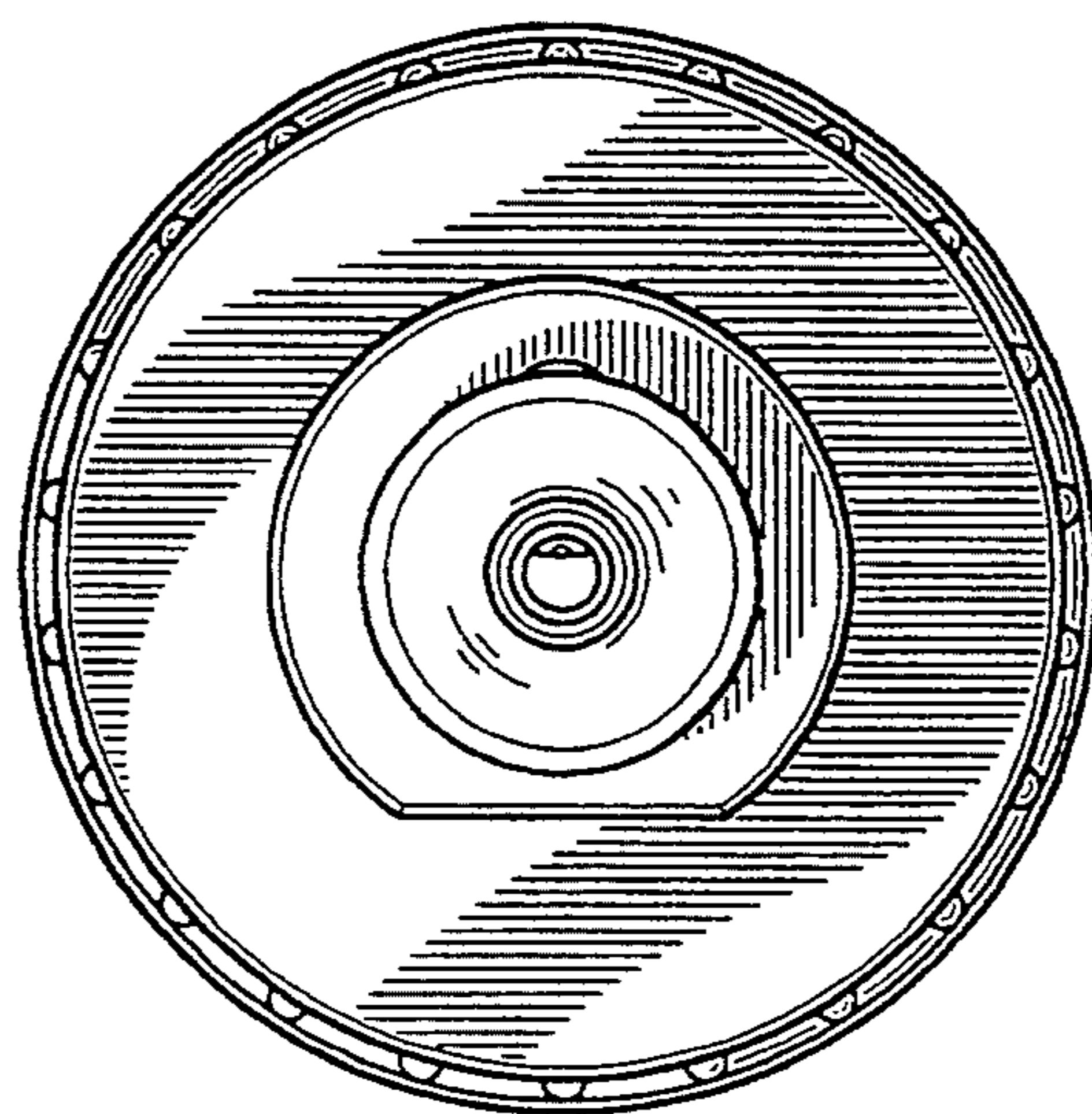


FIG-8

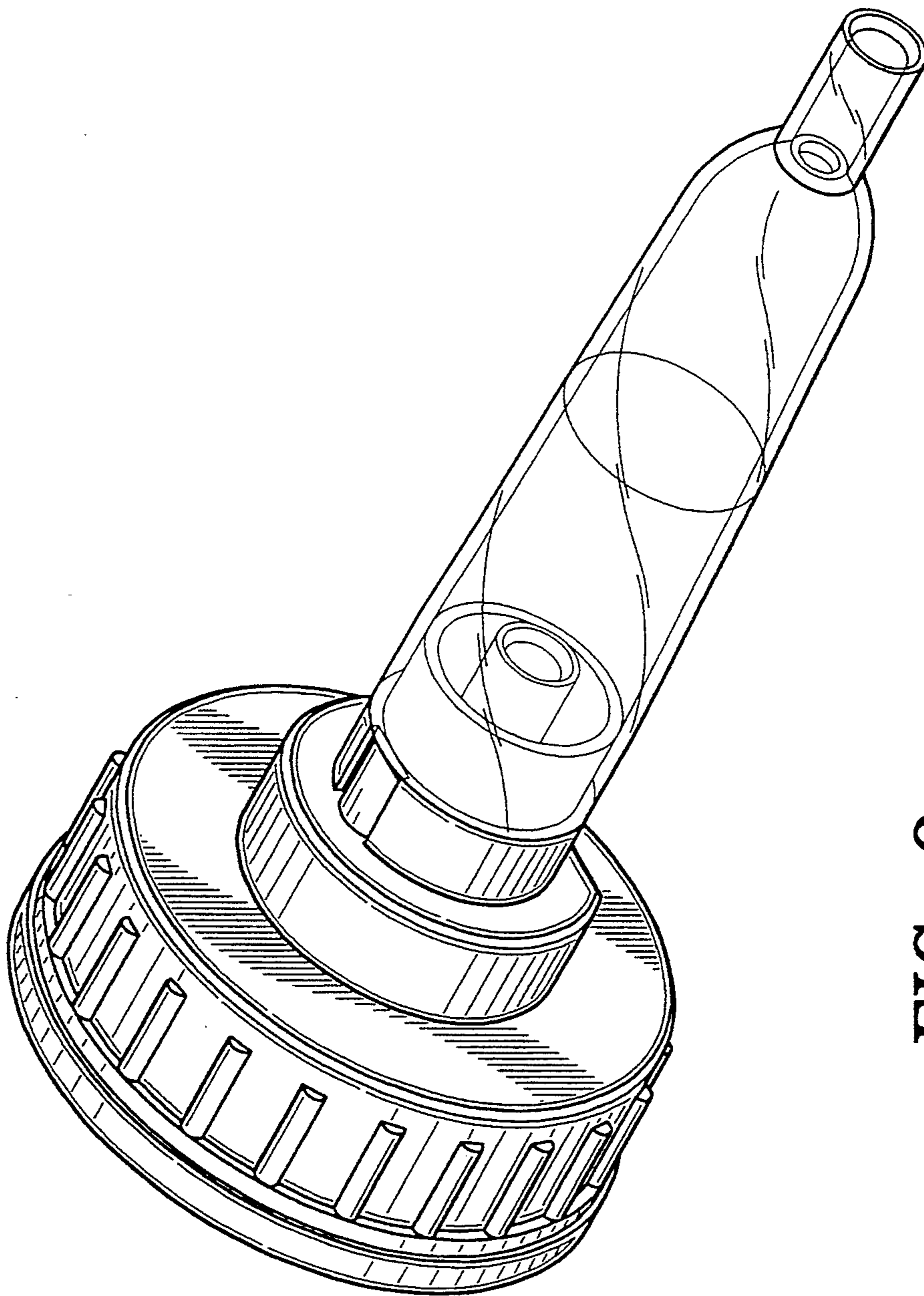


FIG-9

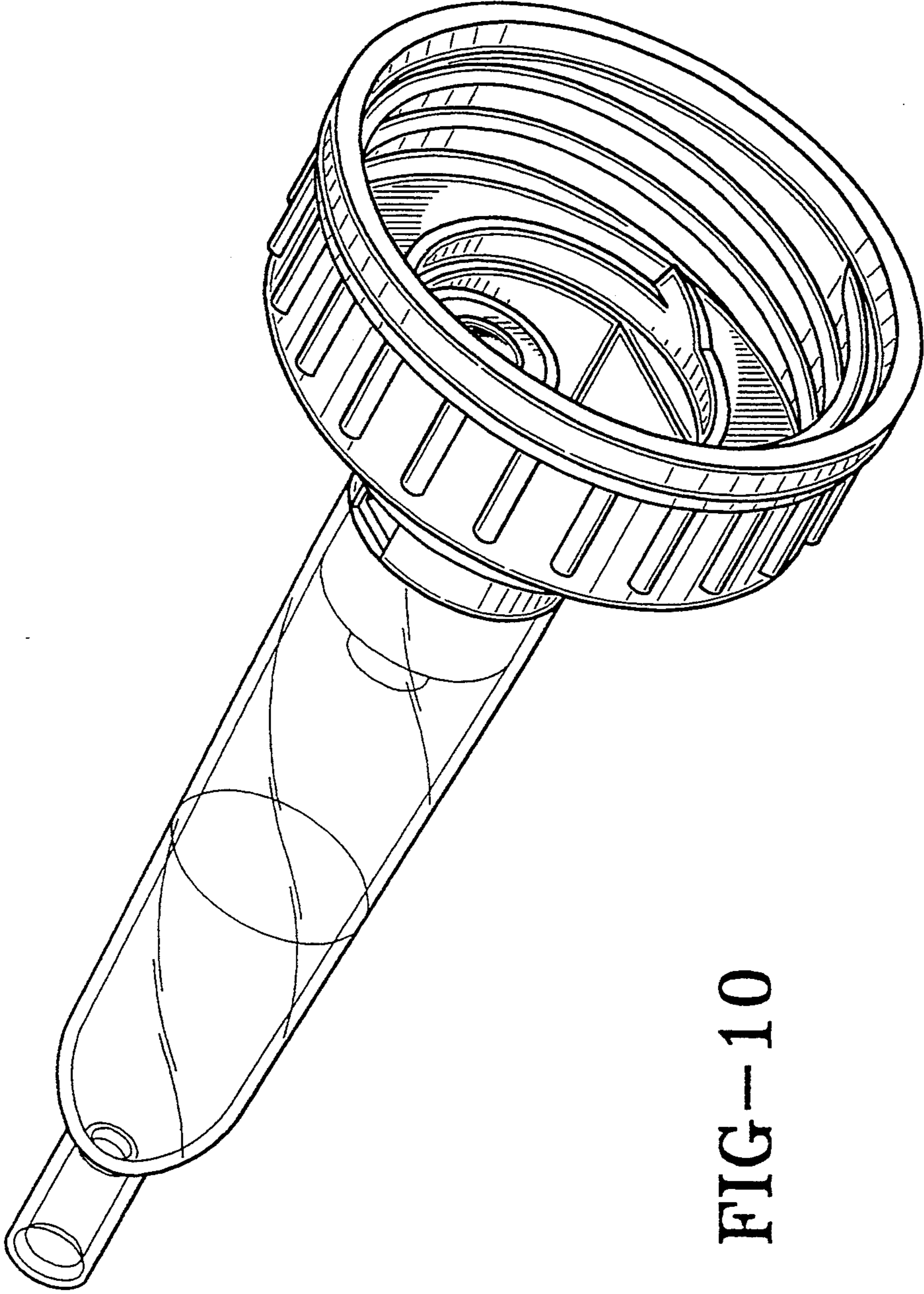


FIG-10

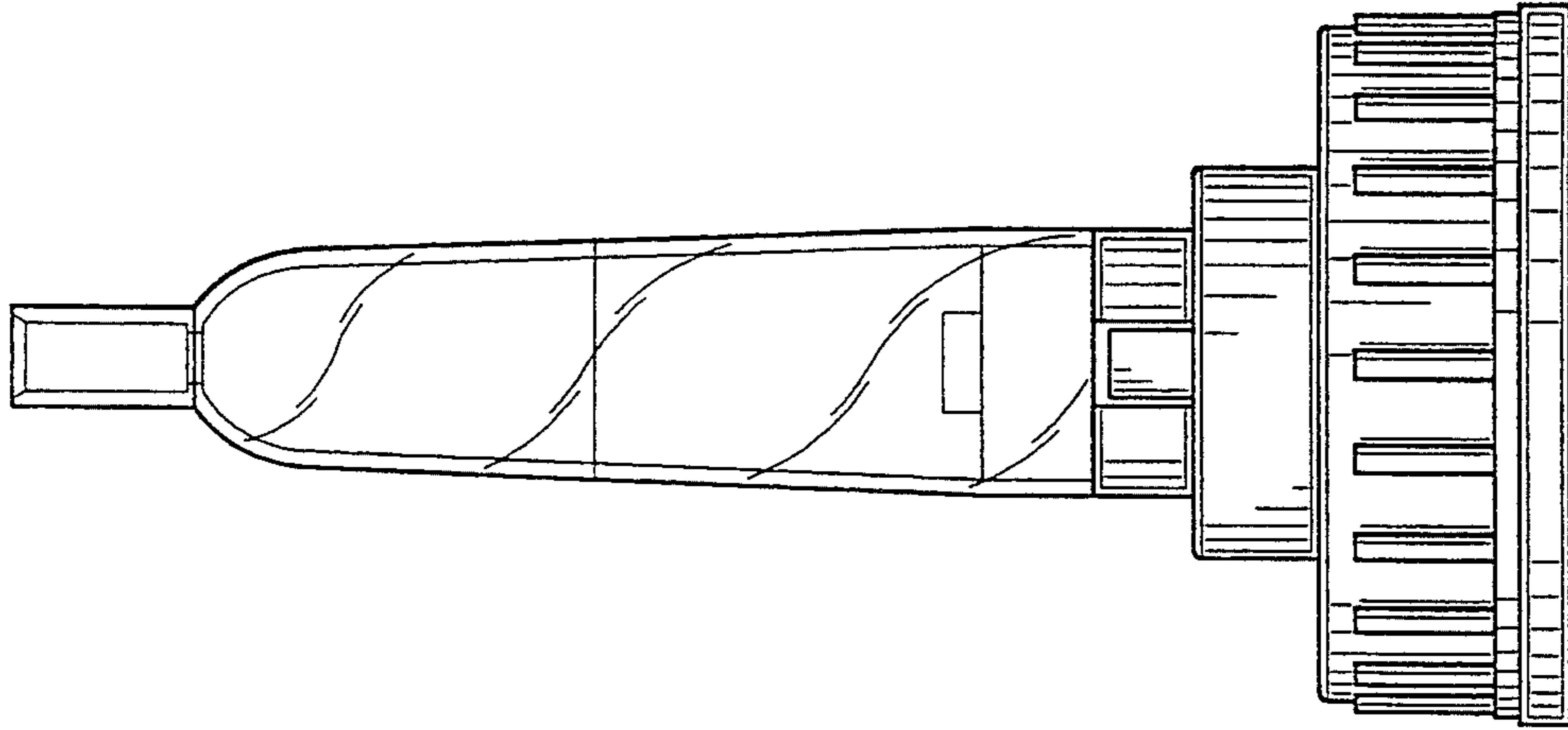


FIG-13

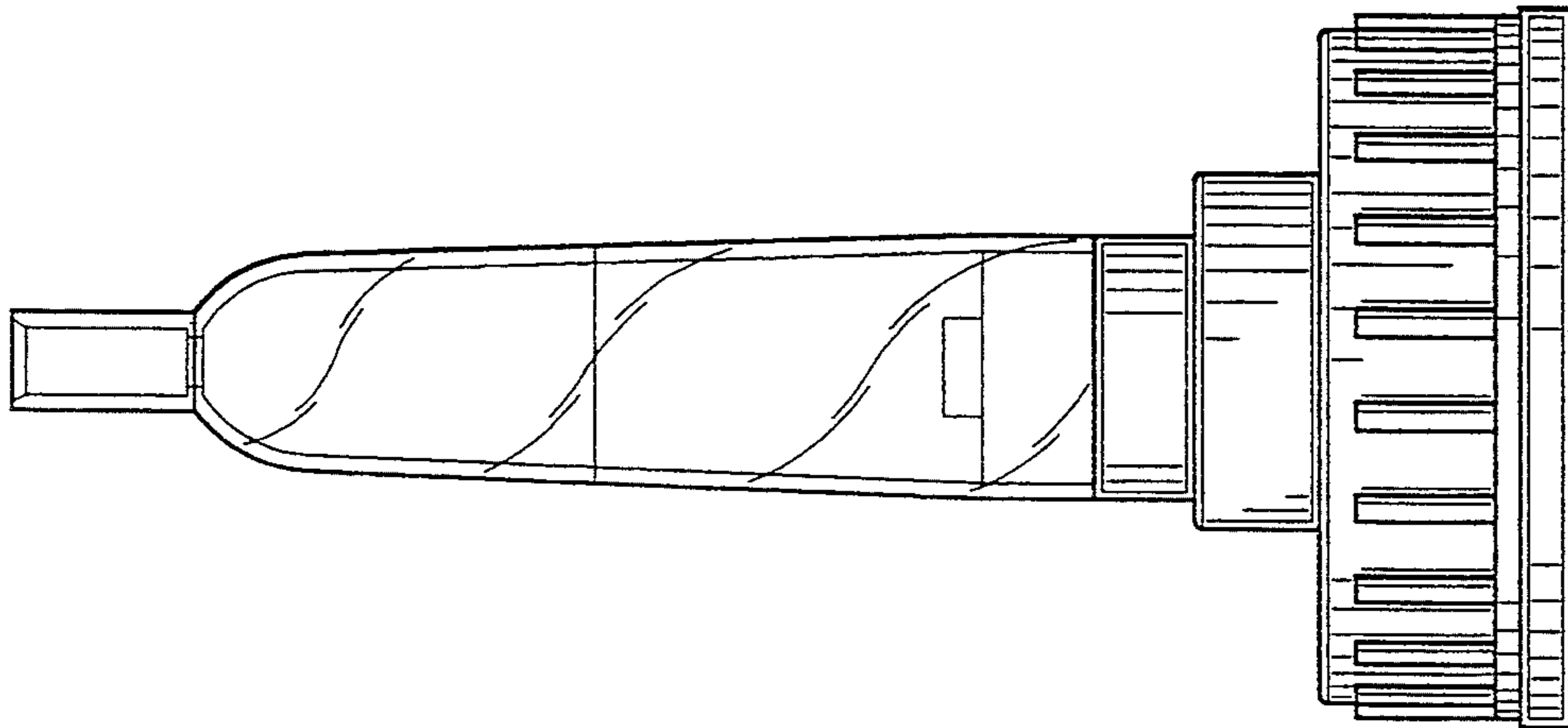


FIG-11

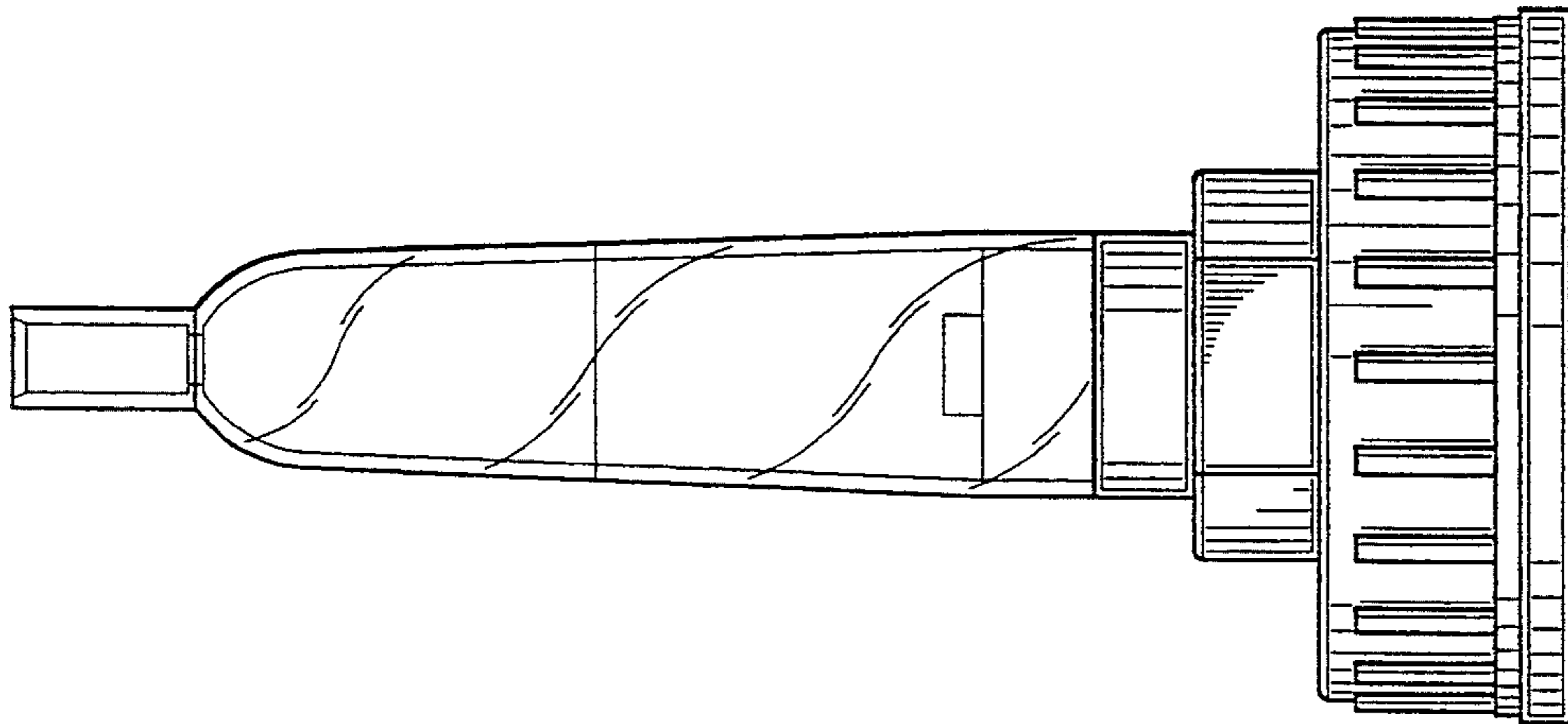


FIG-12

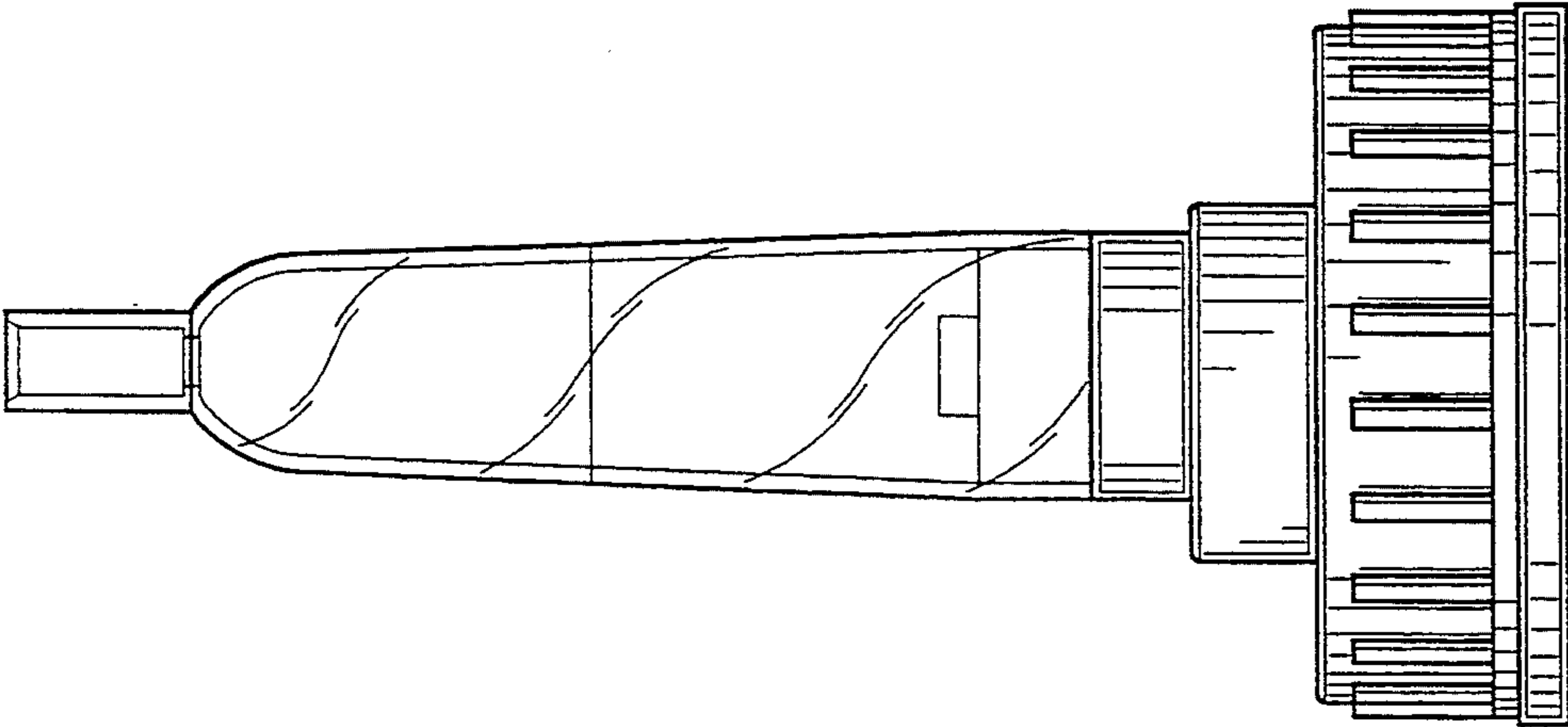


FIG-14