



US00D356148S

United States Patent [19]

[11] Patent Number: **Des. 356,148**

Kohler, Jr. et al.

[45] Date of Patent: **** Mar. 7, 1995**

[54] LAVATORY

OTHER PUBLICATIONS

[75] Inventors: **Herbert V. Kohler, Jr., Kohler; Mary J. Reid, Sheboygan; William C. McKeone, Sheboygan Falls, all of Wis.**

Kohler Design Manual vol. K-500, 1990 pp. 13-21, 13-22, 13-19, 13-18, 13-16, 13-14.

Primary Examiner—A. Hugo Word
Assistant Examiner—Eric Watterson
Attorney, Agent, or Firm—Quarles & Brady

[73] Assignee: **Kohler Co., Kohler, Wis.**

[57] CLAIM

[**] Term: **14 Years**

The ornamental design for a lavatory, as shown and described.

[21] Appl. No.: **14,964**

DESCRIPTION

[22] Filed: **Nov. 5, 1993**

[52] U.S. Cl. **D23/293.1**

[58] Field of Search **D23/284-294, D23/308; 4/619, 625, 637, 638, 661, 635, 636, 639-650**

FIG. 1 is a perspective view taken from the top and front of a lavatory embodying our new design; FIG. 2 is a front elevational view thereof; FIG. 3 is a right side elevational view thereof, the left side being the mirror image of the right side; FIG. 4 is a top plan view thereof; FIG. 5 is a bottom plan view thereof; FIG. 6 is a rear elevational view thereof; FIG. 7 is a cross-sectional view taken on line 7-7 of FIG. 4; and, FIG. 8 is a cross-sectional view taken on line 8-8 of FIG. 4.

[56] References Cited

U.S. PATENT DOCUMENTS

D. 37,305	1/1905	Podmore .	
D. 295,671	5/1988	Kohler, Jr.	D23/294
D. 320,263	9/1991	Kohler, Jr. & McKeone .	
709,872	9/1902	Clukies	4/649

The fragmentary broken line representations of a countertop in FIG. 1 and mounting holes in FIGS. 1, 4 and 5 are for the purpose of illustration only and form no part of the claimed design.

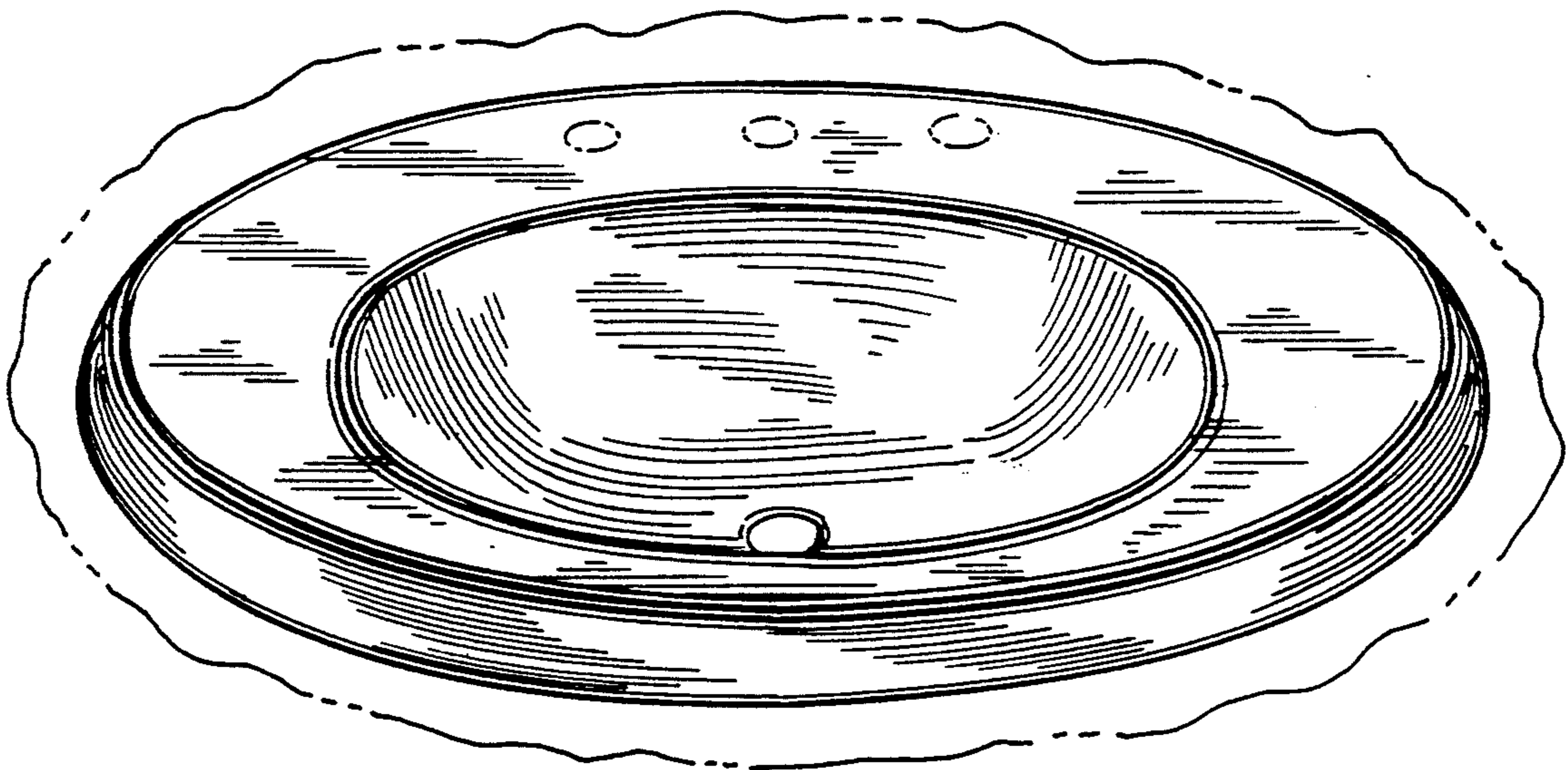


FIG. 1

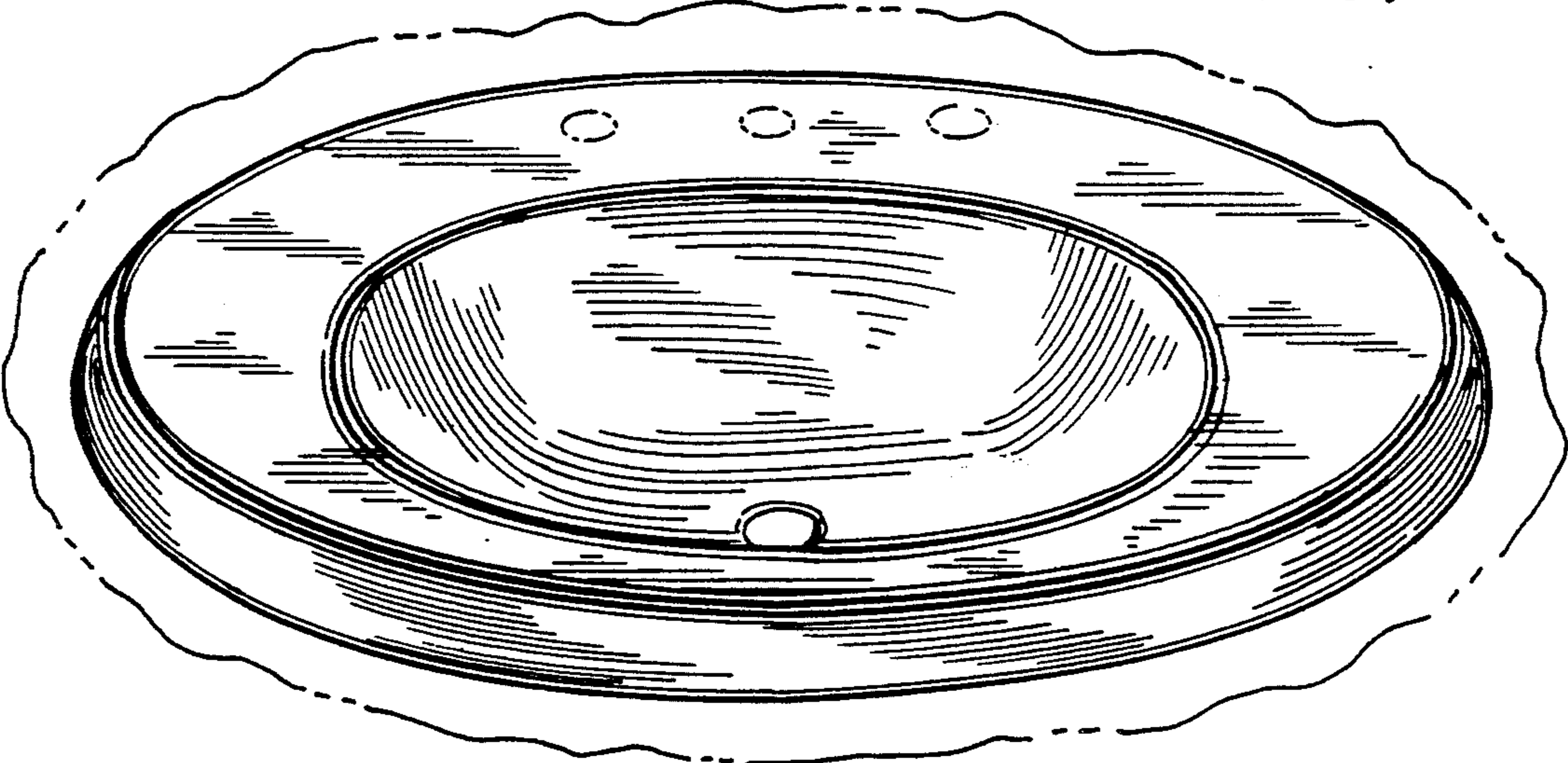


FIG. 2

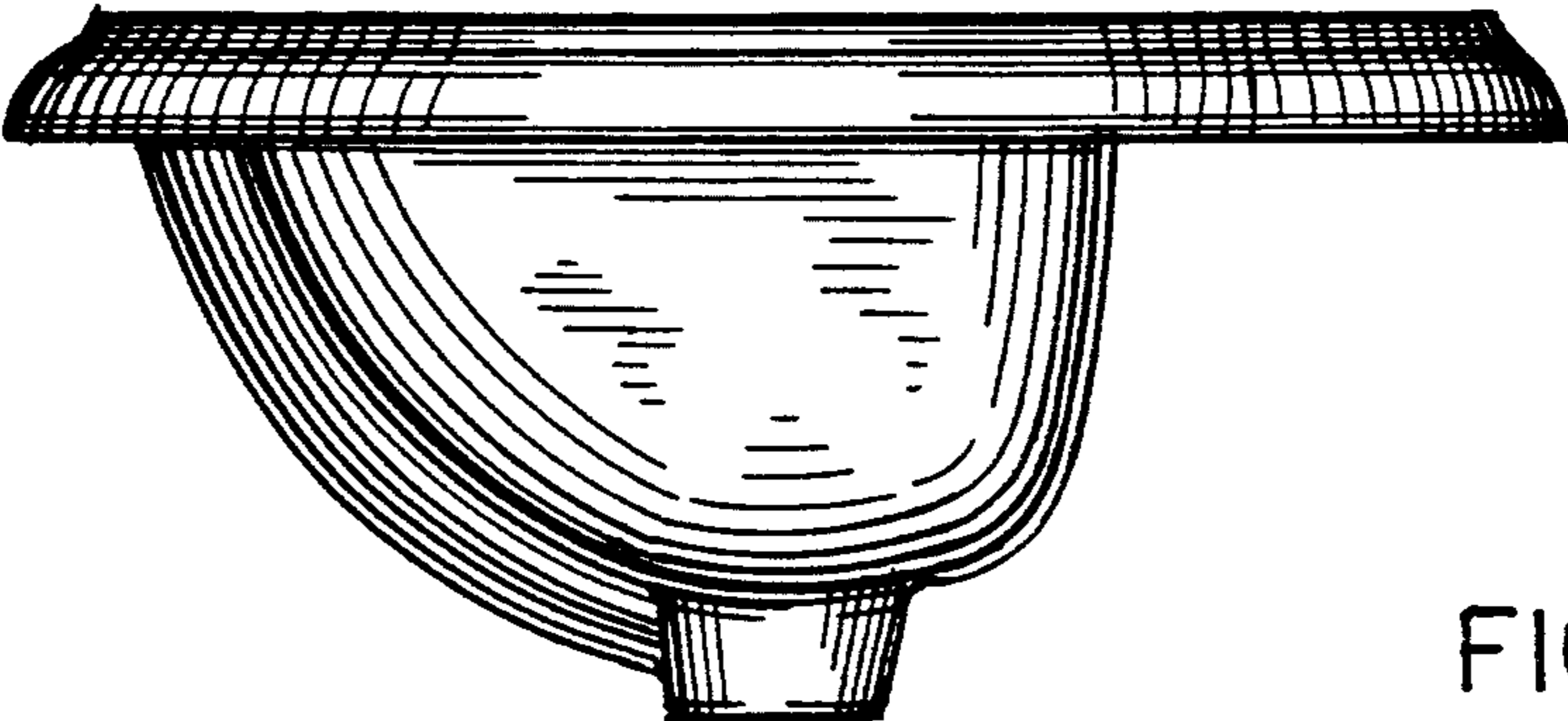
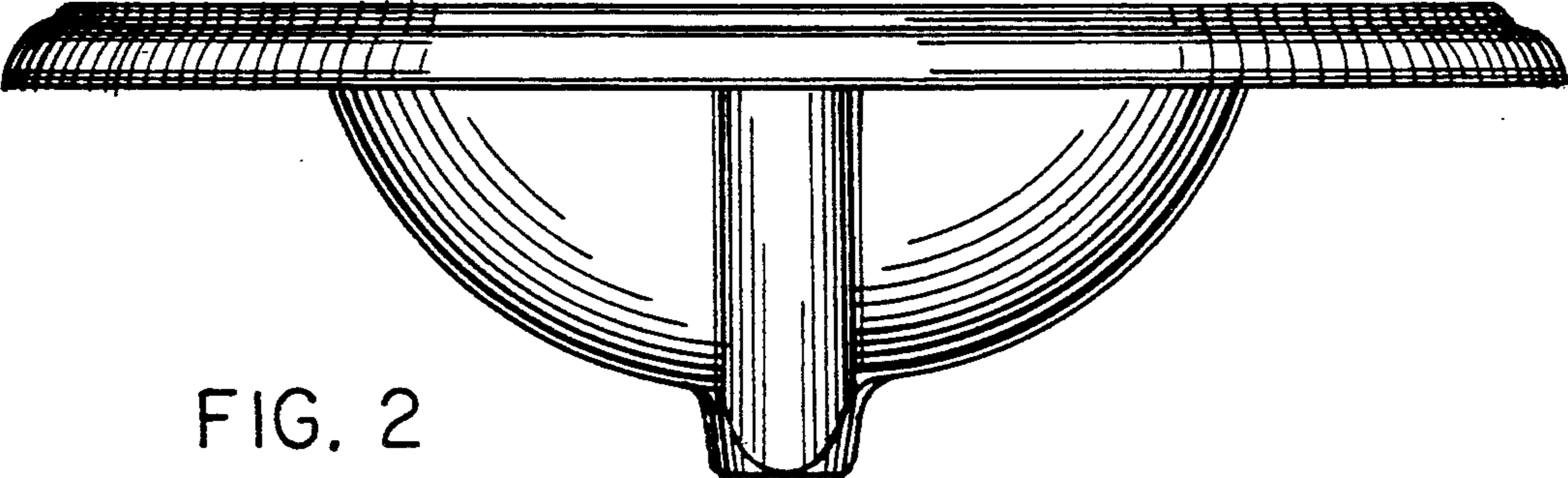


FIG. 3

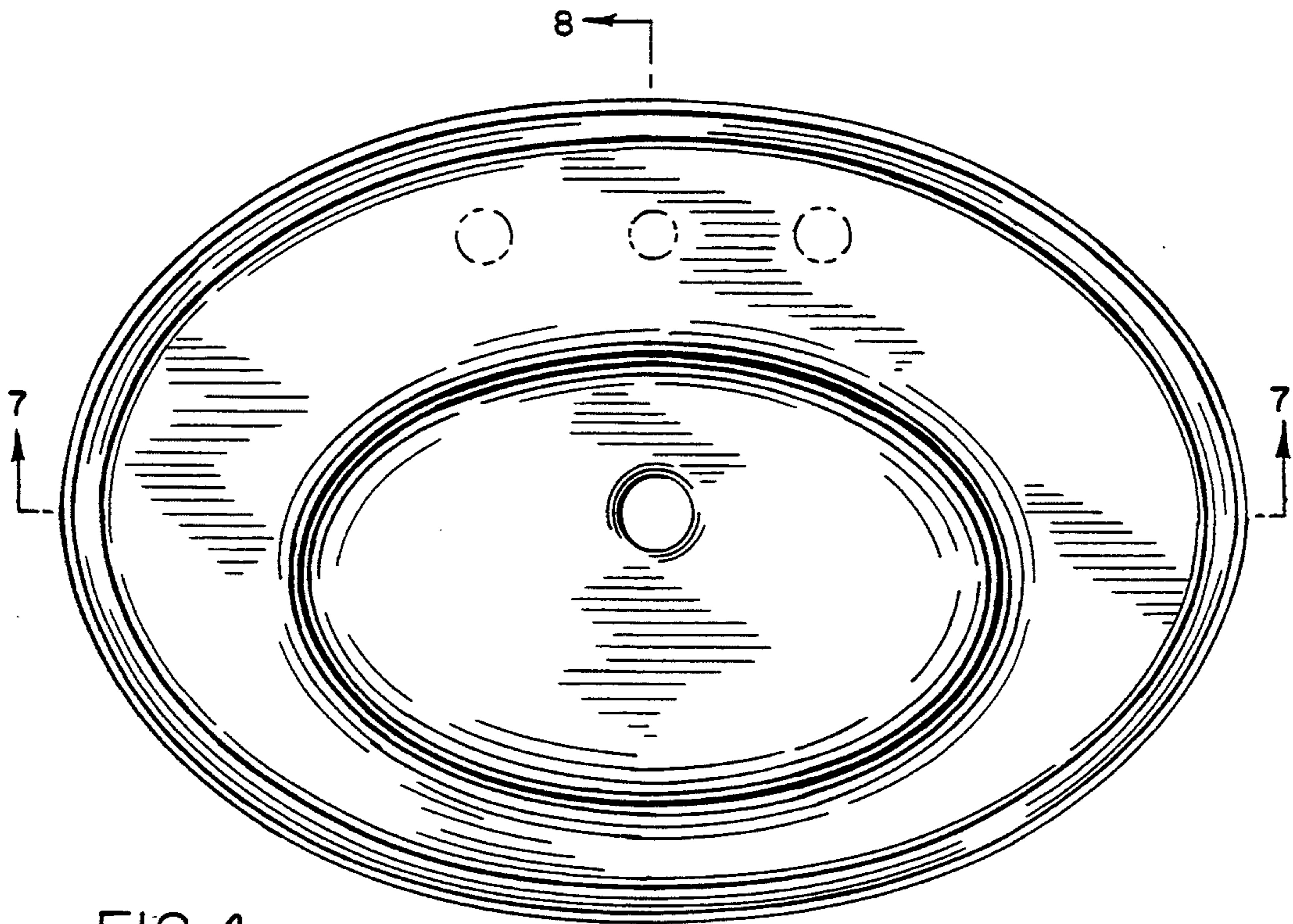


FIG. 4

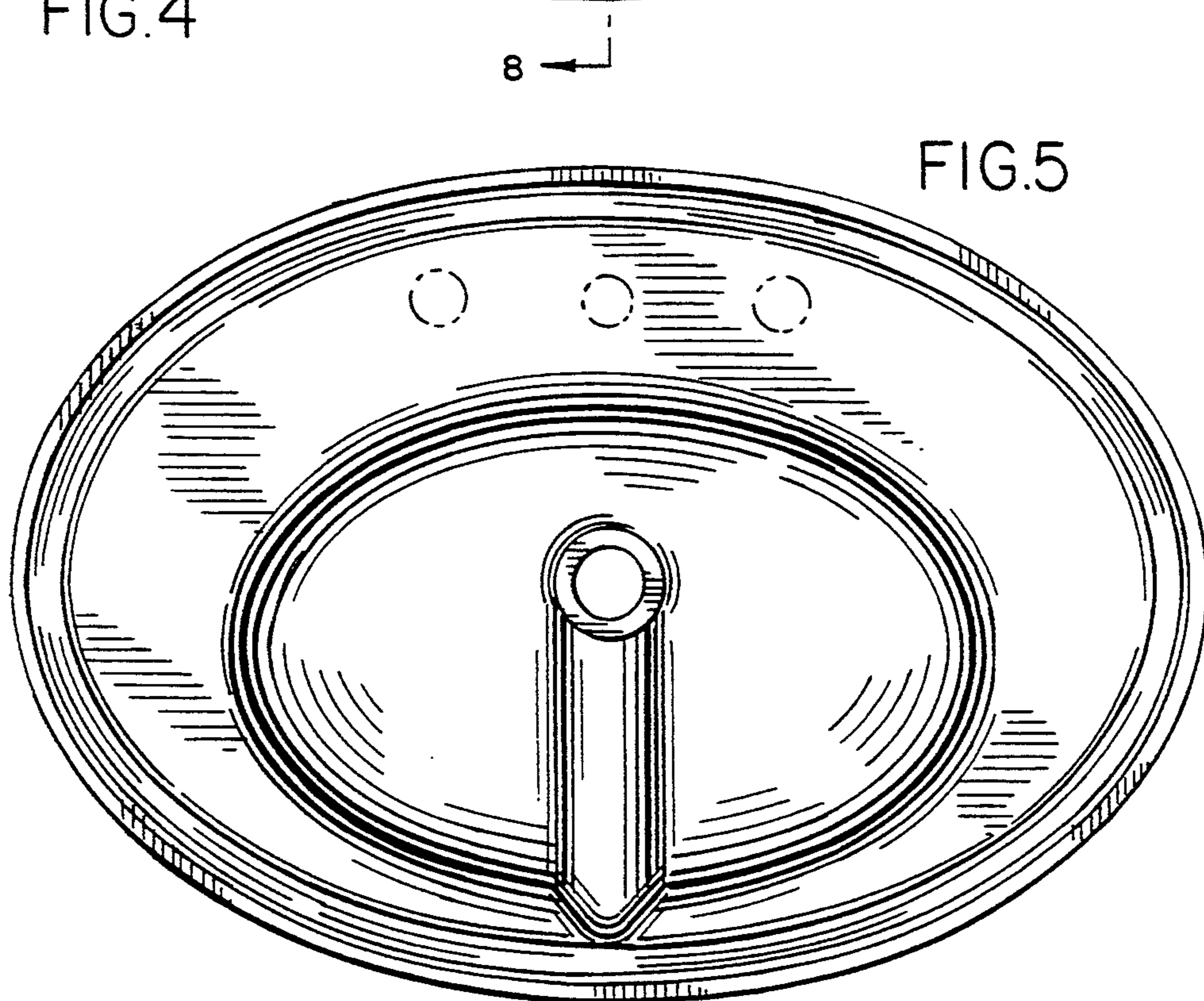


FIG. 5

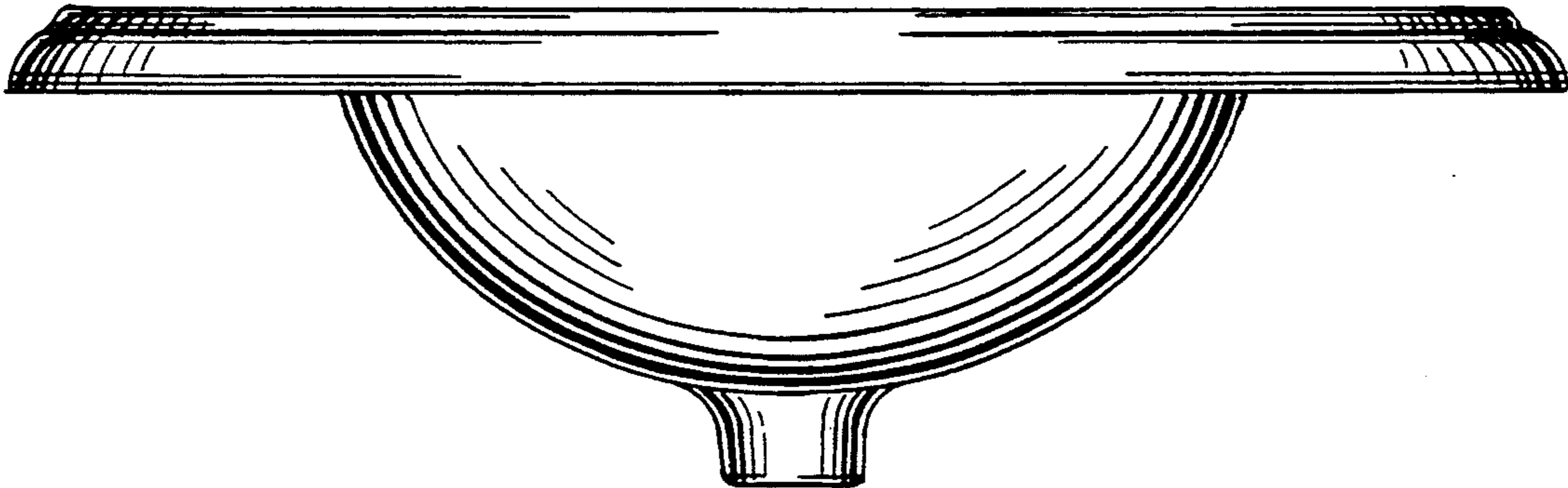


FIG. 6

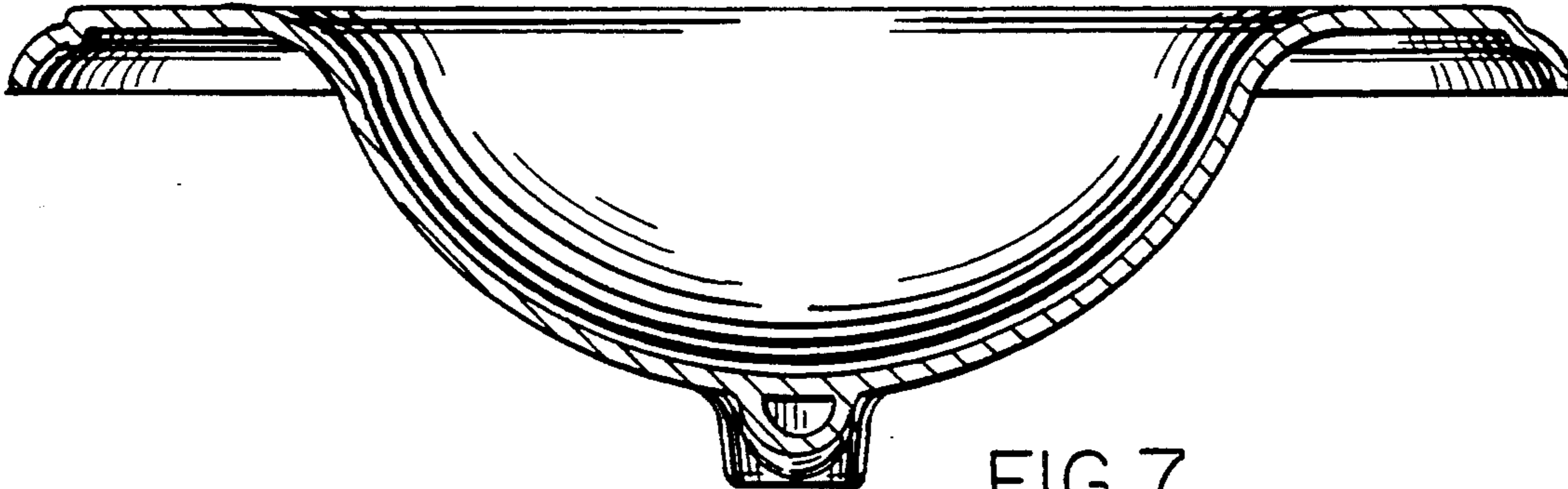


FIG. 7

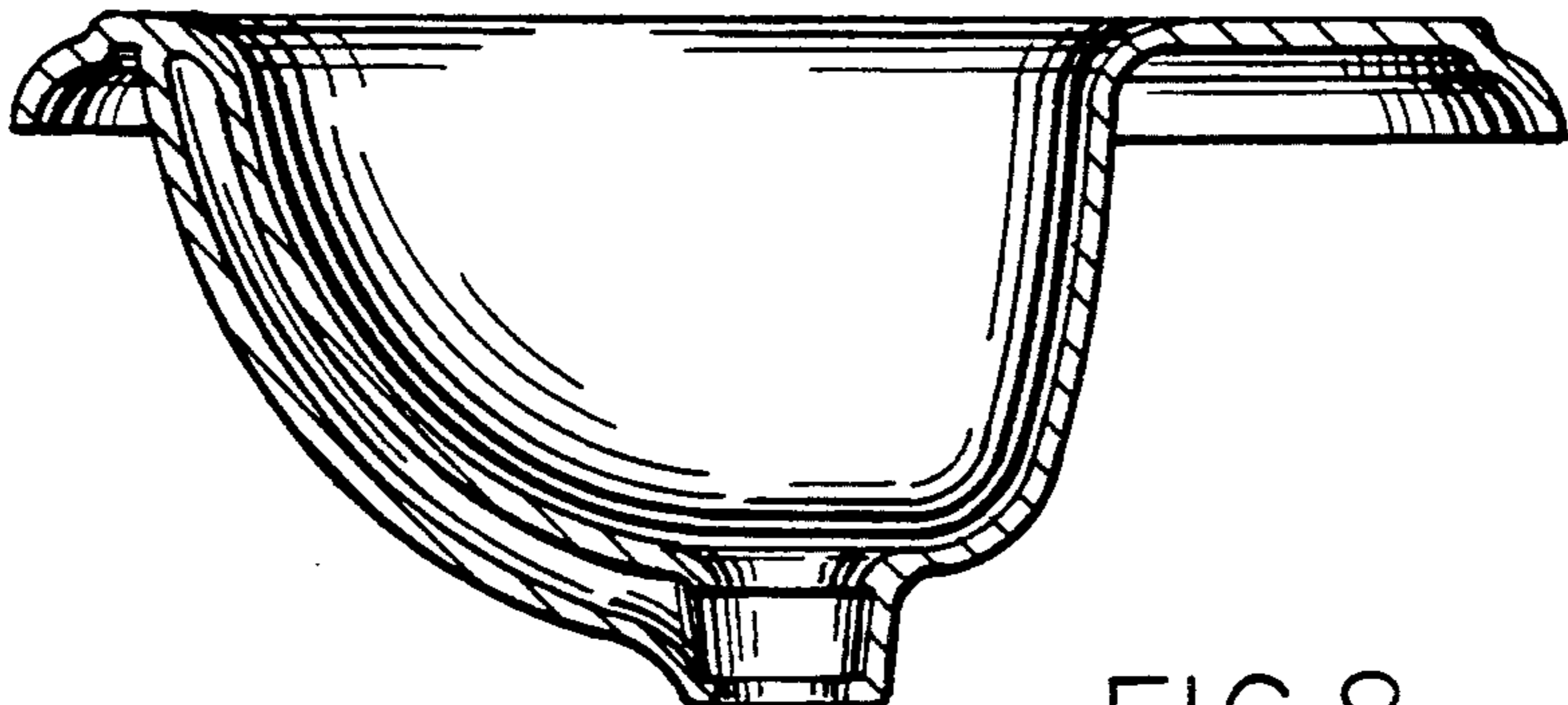


FIG. 8