



US00D356147S

# United States Patent [19]

[11] Patent Number: **Des. 356,147**

Clivio

[45] Date of Patent: **\*\* Mar. 7, 1995**

[54] **HOSE COUPLING WITH WATER REGULATOR**

D. 325,961 5/1992 Hayes ..... D23/262  
2,989,283 6/1961 Klingler ..... 251/243 X

[75] Inventor: **Franco Clivio**, Erlenbach, Switzerland

### OTHER PUBLICATIONS

Gardena Catalog, pp. 16 and 19, 1992.

[73] Assignee: **Gardena Kress + Kastner GmbH**, Germany

*Primary Examiner*—A. Hugo Word  
*Assistant Examiner*—Eric M. Watterson  
*Attorney, Agent, or Firm*—Quarles & Brady

[\*\*] Term: **14 Years**

### [57] CLAIM

[21] Appl. No.: **17,171**

The ornamental design for a hose coupling with water regulator, as shown and described.

[22] Filed: **Jan. 6, 1994**

### [30] Foreign Application Priority Data

### DESCRIPTION

Jul. 6, 1993 [DE] Germany ..... 93 05 346.0

[52] U.S. Cl. .... **D23/262**

[58] Field of Search ..... D23/262-265;  
137/614, 614.05; 251/148, 149.6, 149.9

FIG. 1 is a side perspective view of a hose coupling with water regulator showing my new design;  
FIG. 2 is a side elevation view thereof;  
FIG. 3 is a top plan view thereof;  
FIG. 4 is an opposite side elevation view thereof;  
FIG. 5 is a front elevation view thereof;  
FIG. 6 is a rear elevation view thereof; and,  
FIG. 7 is a bottom plan view thereof.

### [56] References Cited

#### U.S. PATENT DOCUMENTS

D. 183,042 6/1958 Fuglie ..... D23/262 X

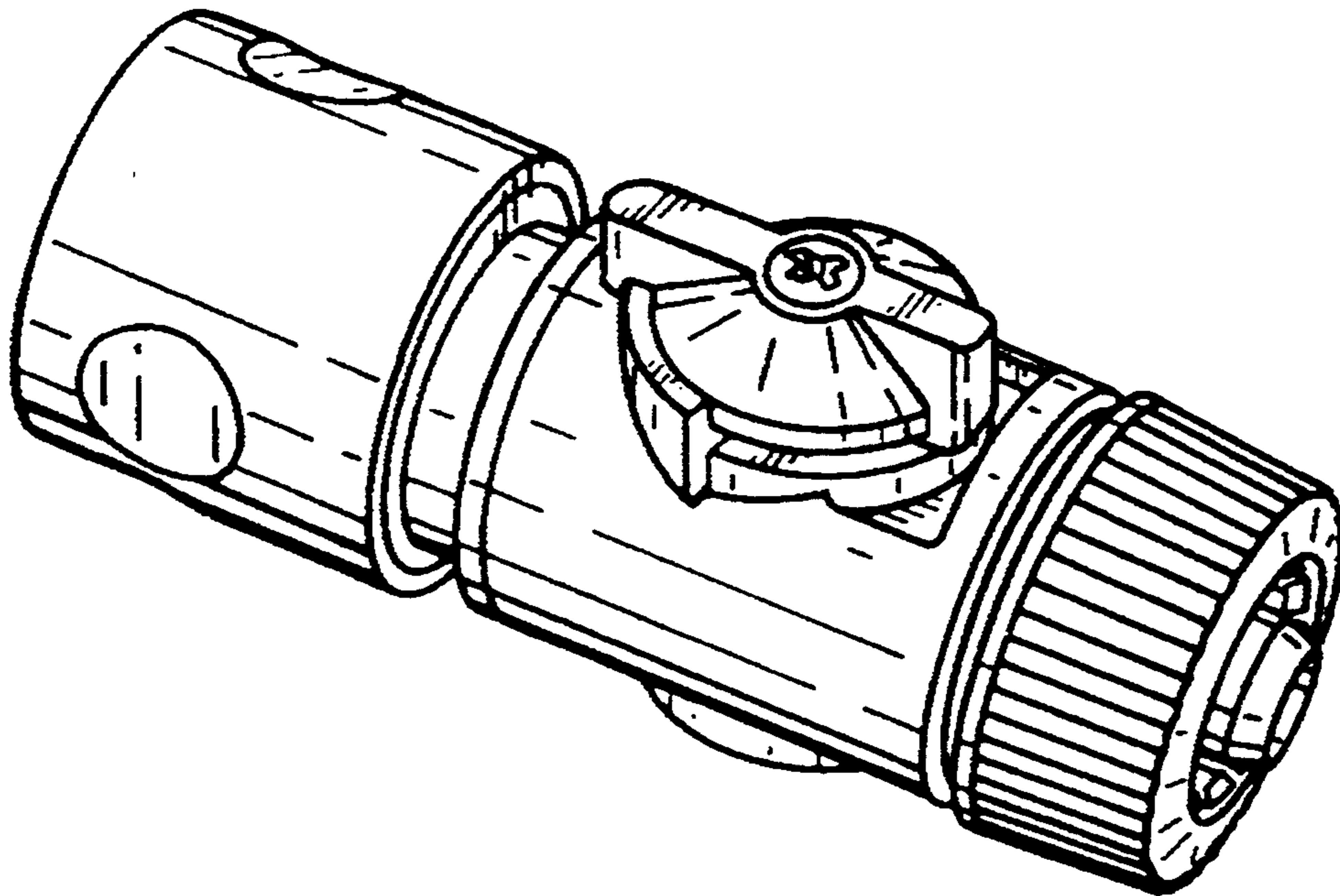


Fig. 1

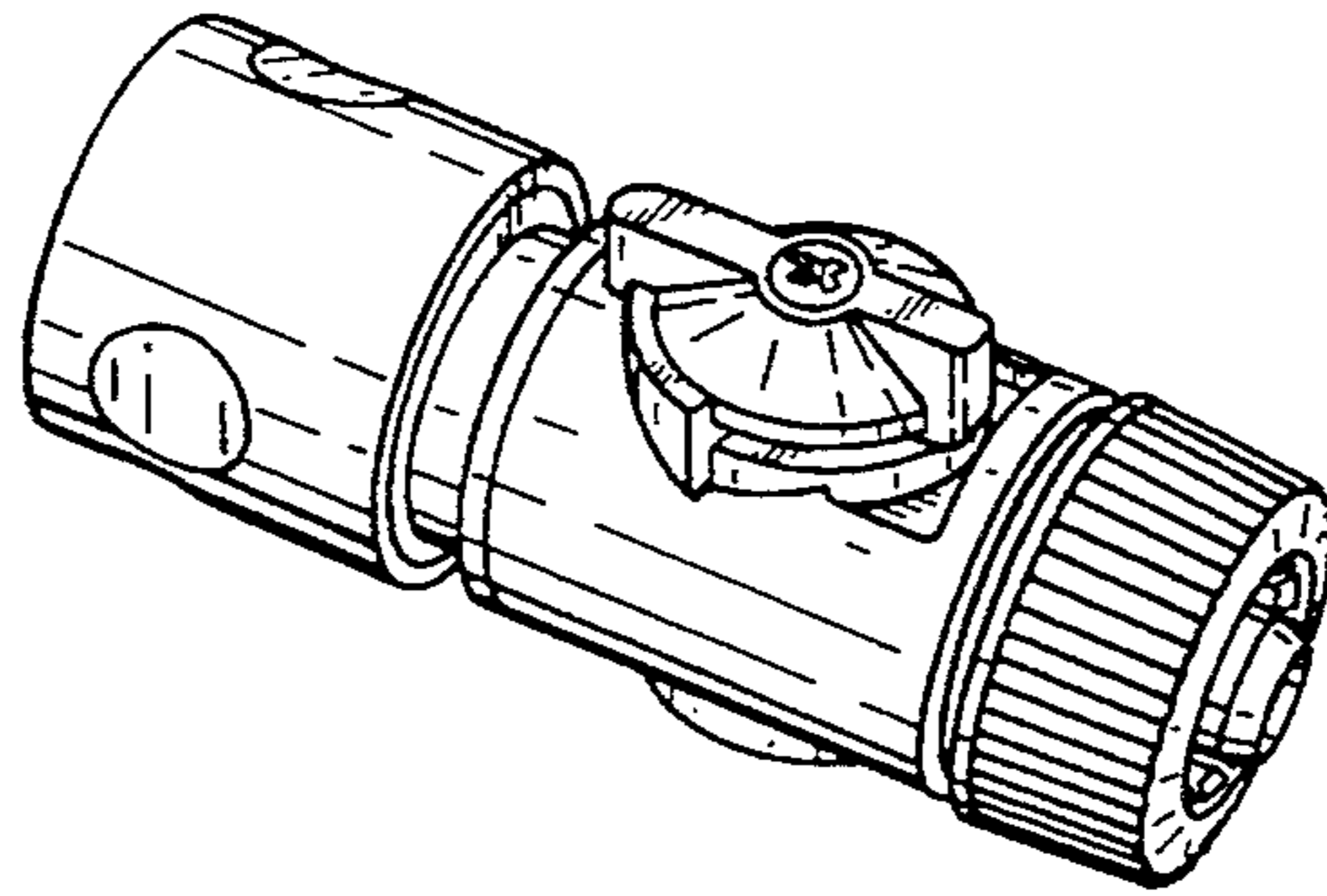


Fig. 2

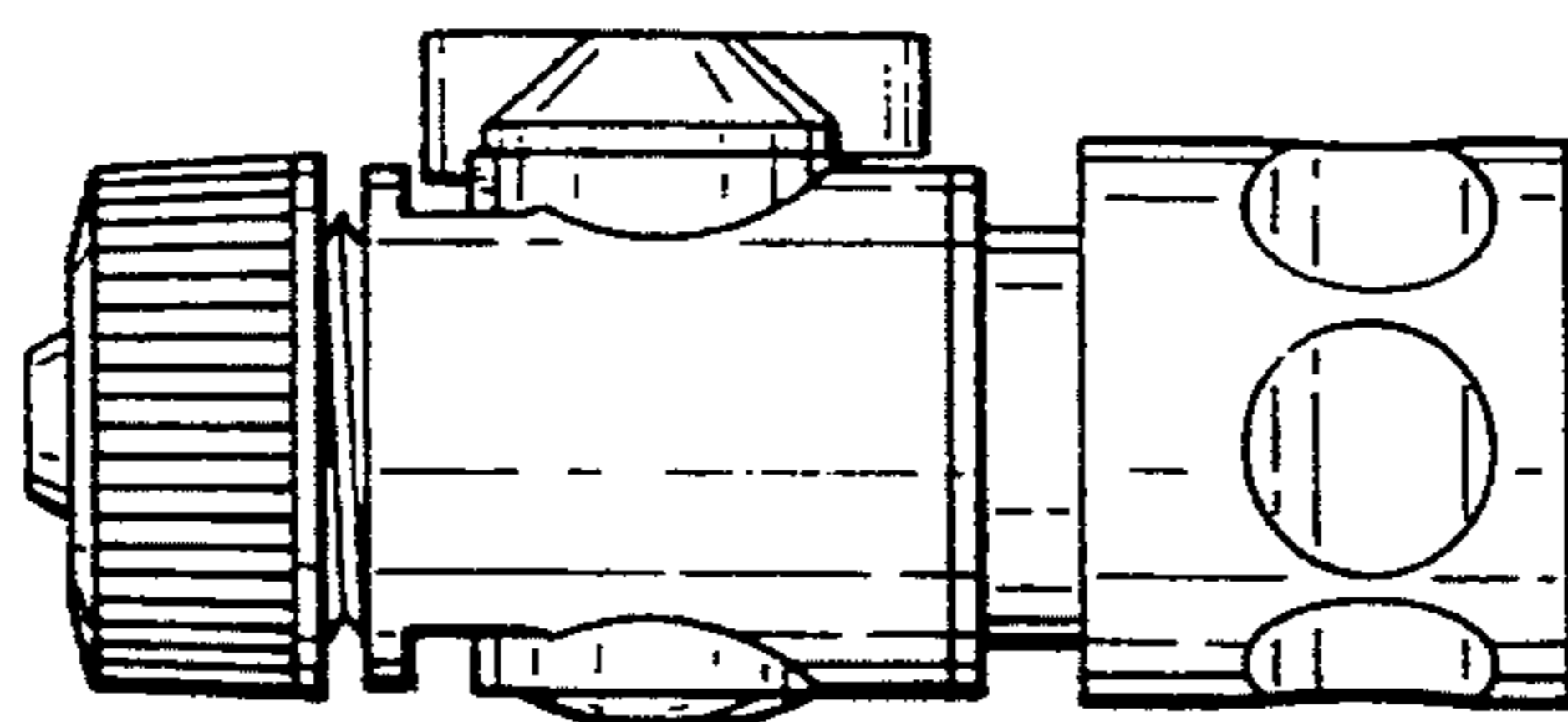


Fig. 3

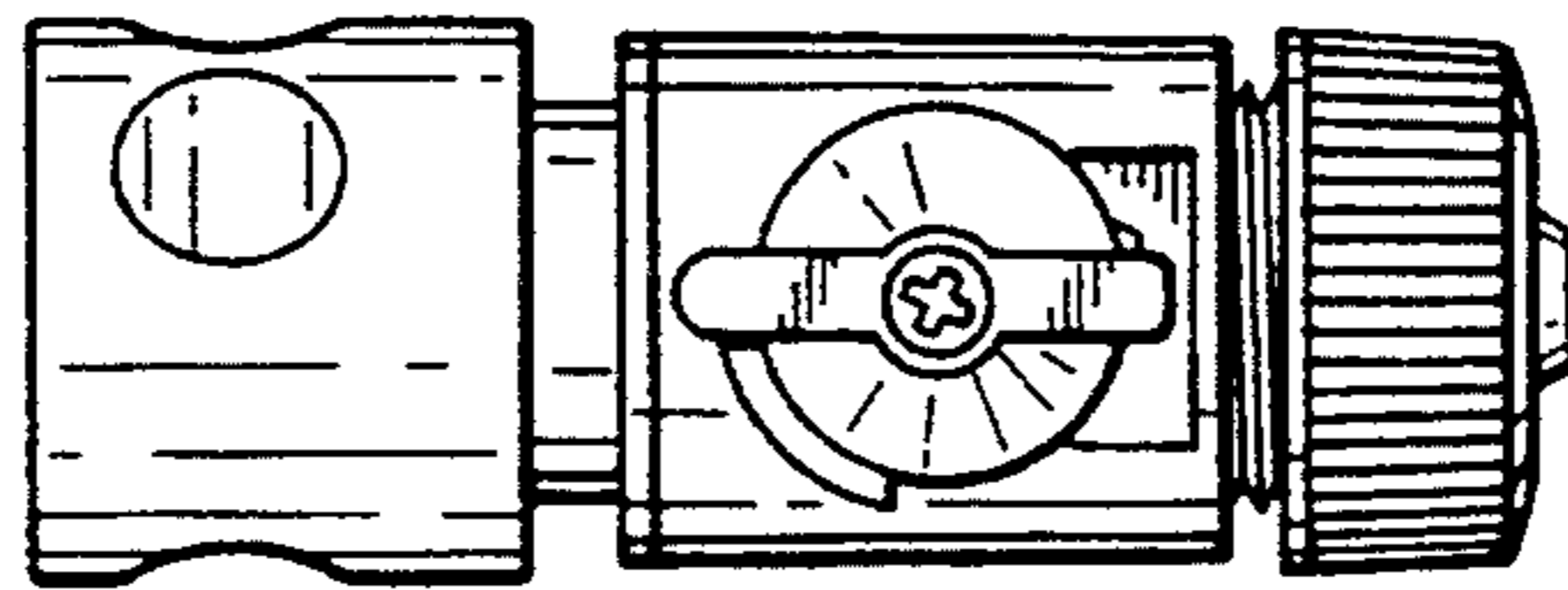


Fig. 5

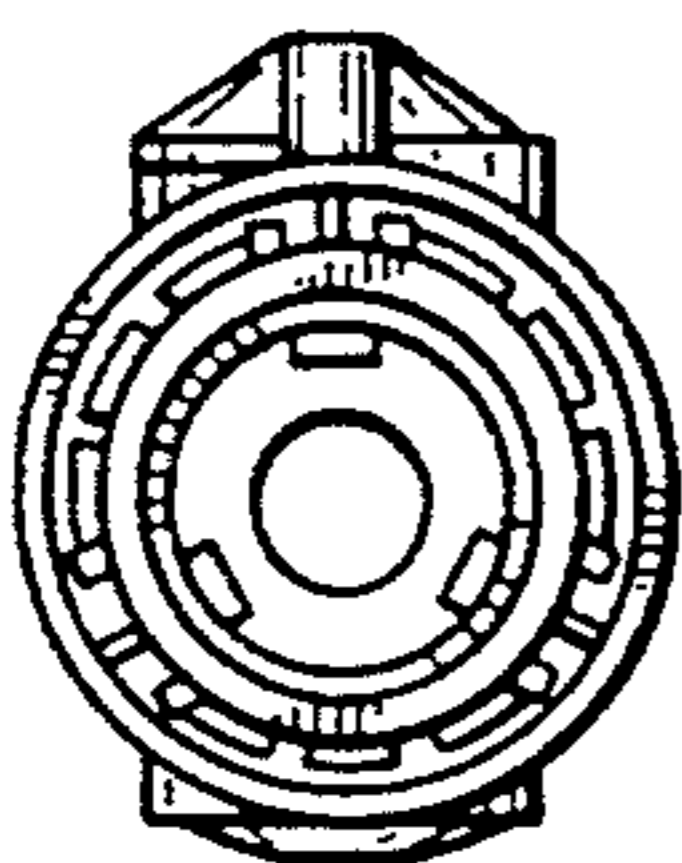


Fig. 4

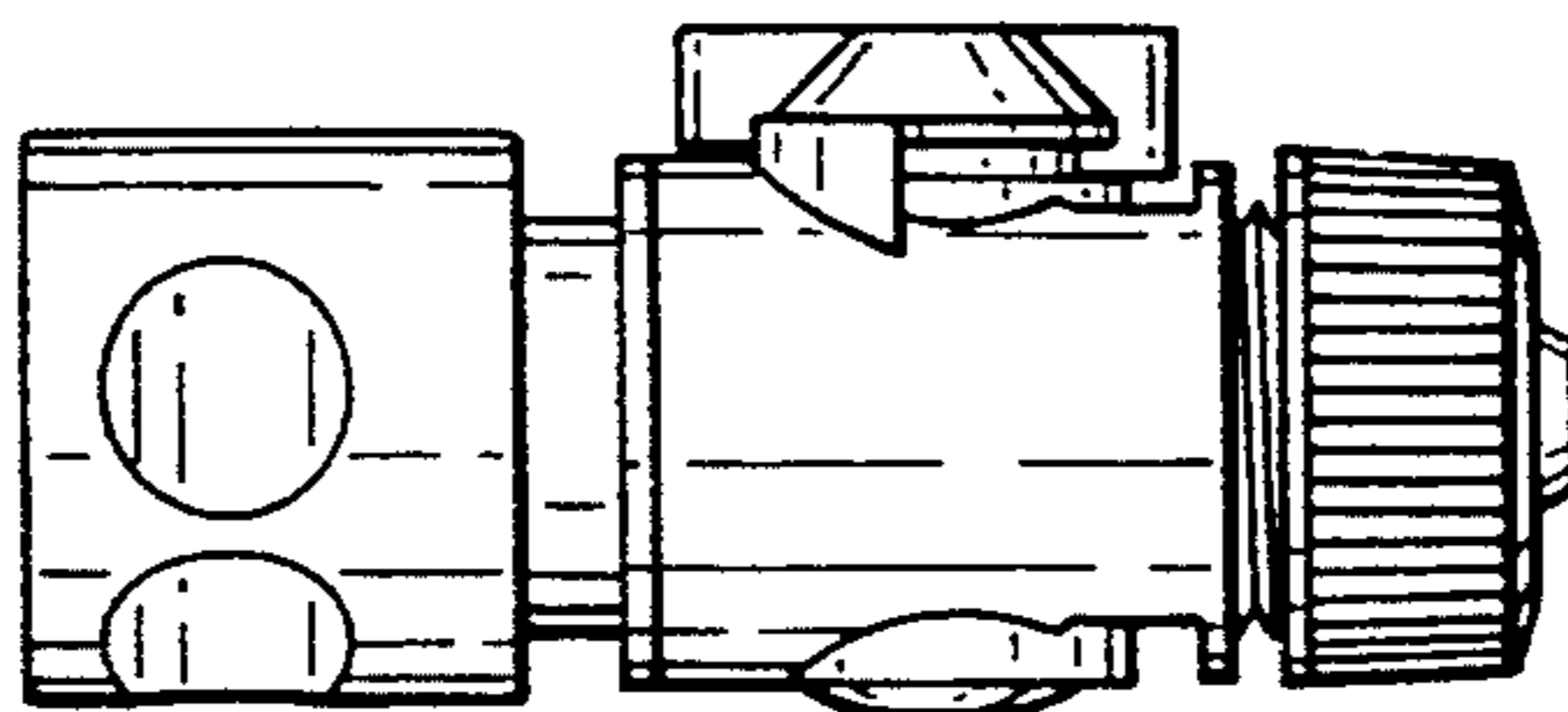


Fig. 6

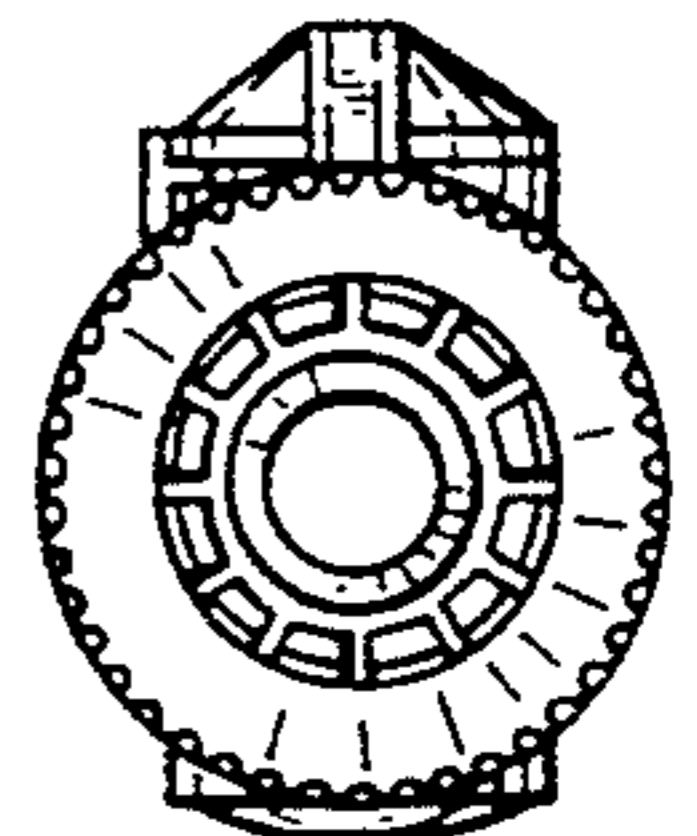


Fig. 7

