



US00D356143S

United States Patent [19]

Mehoudar

[11] Patent Number: **Des. 356,143**

[45] Date of Patent: **** Mar. 7, 1995**

[54] **DOUBLE MULTI-OUTLET DRIP IRRIGATION UNIT**

[75] Inventor: **Raphael Mehoudar, Tel-Aviv, Israel**

[73] Assignee: **Hydroplan Engineering Ltd., Tel-Aviv, Israel**

[*] Notice: The portion of the term of this patent subsequent to Jan. 31, 2009 has been disclaimed.

[**] Term: **14 Years**

[21] Appl. No.: **2,111**

[22] Filed: **Dec. 2, 1992**

[52] U.S. Cl. **D23/213**

[58] Field of Search **D23/213-214, D23/221; 239/200-206, 222.11-222.21, 223, 230-233, 273, 275-276, 288, 288.3, 288.5, 390-392, 443-444, 456, 505, 468, DIG. 1, DIG. 15**

[56] **References Cited**

U.S. PATENT DOCUMENTS

1,970,126	8/1934	Buckner	239/206
2,611,644	9/1952	Burdick	239/204
3,301,489	1/1967	Tropeano	239/201

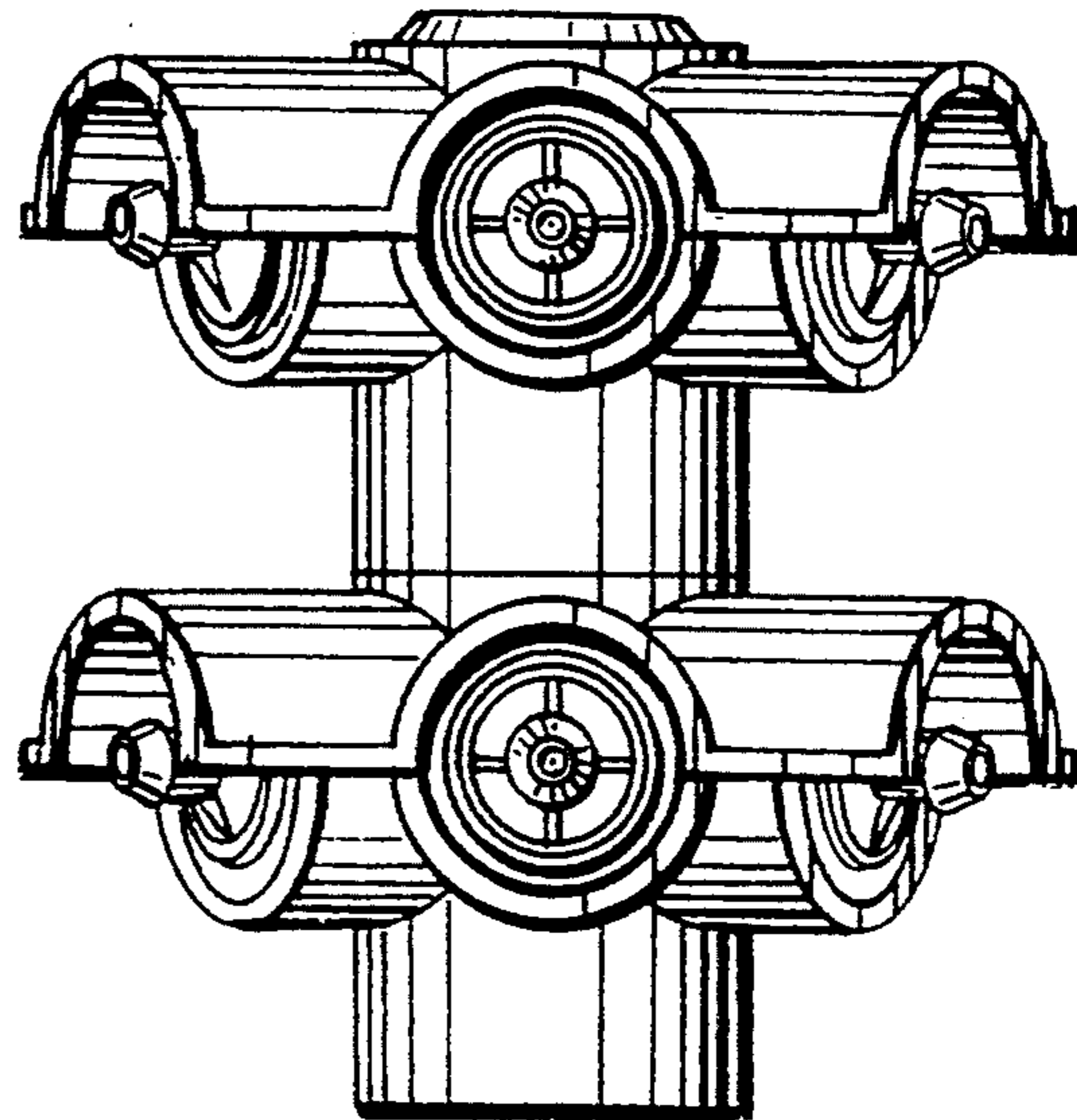
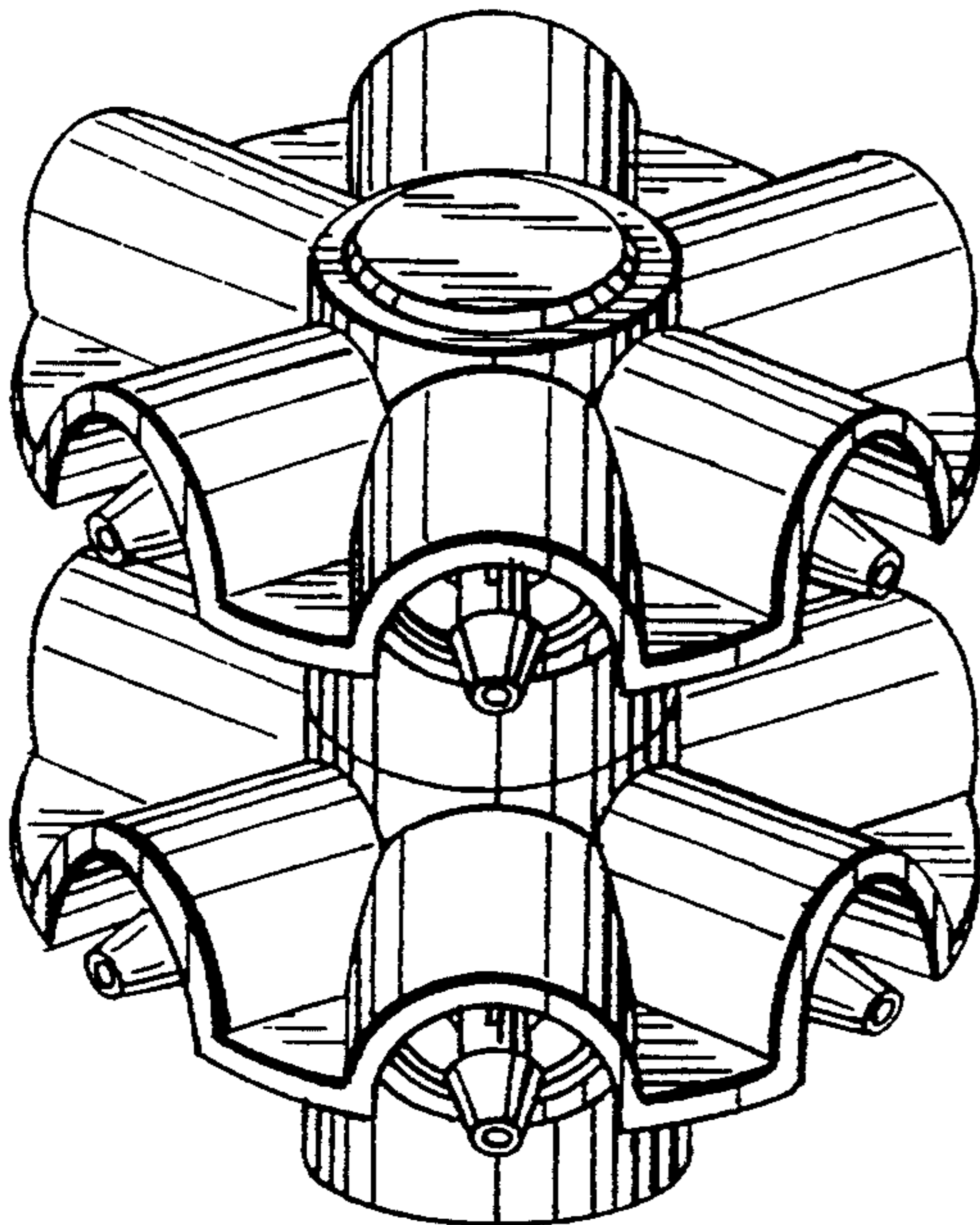
Primary Examiner—Wallace R. Burke
Assistant Examiner—Robin V. Taylor
Attorney, Agent, or Firm—Helfgott & Karas

[57] **CLAIM**

The ornamental design for a double multi-outlet drip irrigation unit, as shown and described.

DESCRIPTION

FIG. 1 is a perspective view of a double multi-outlet drip irrigation unit showing the new design; FIG. 2 is a side elevation view of the unit; FIG. 3 is a top plan view of the unit; and, FIG. 4 is a bottom plan view of the unit.



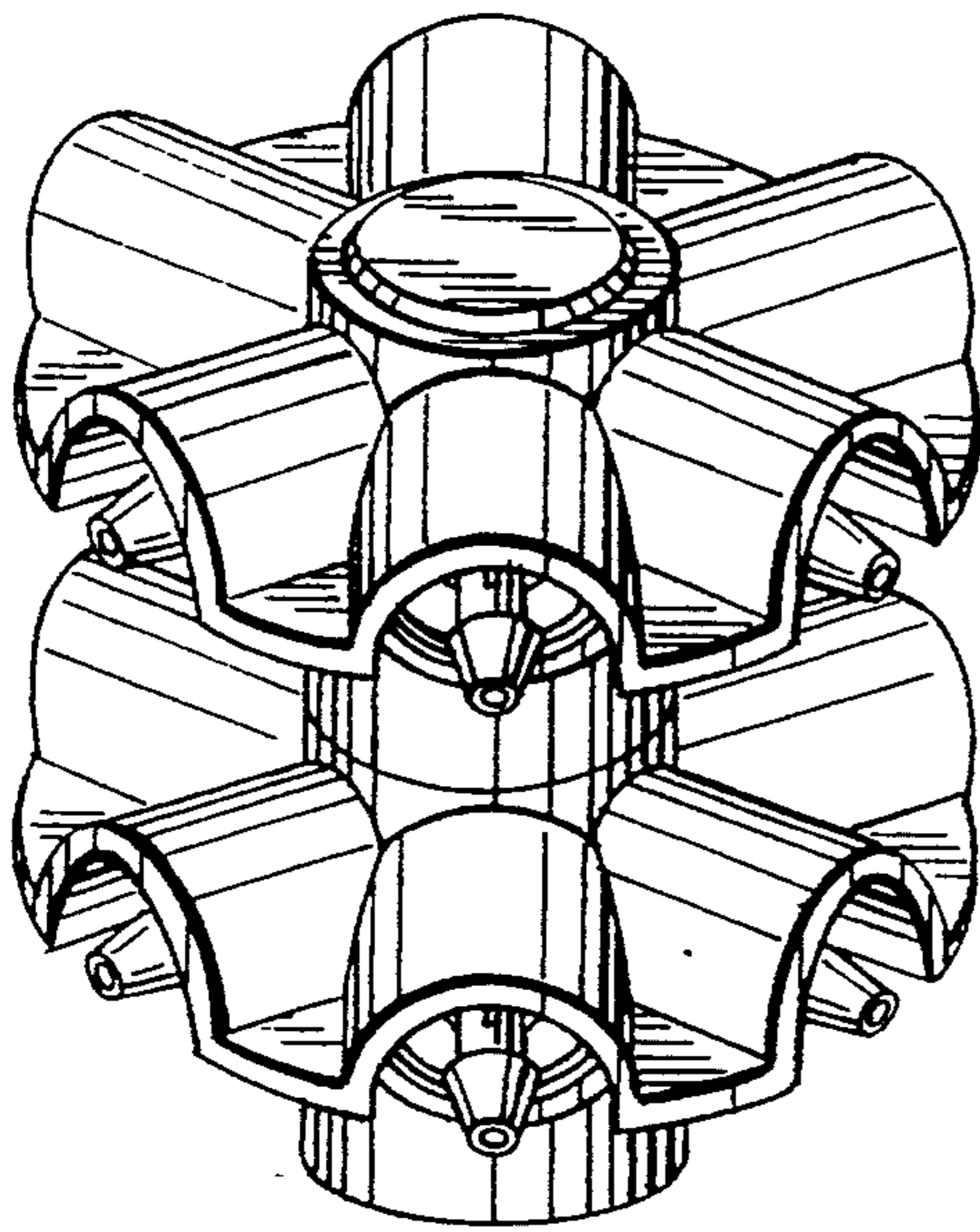


FIG. 1

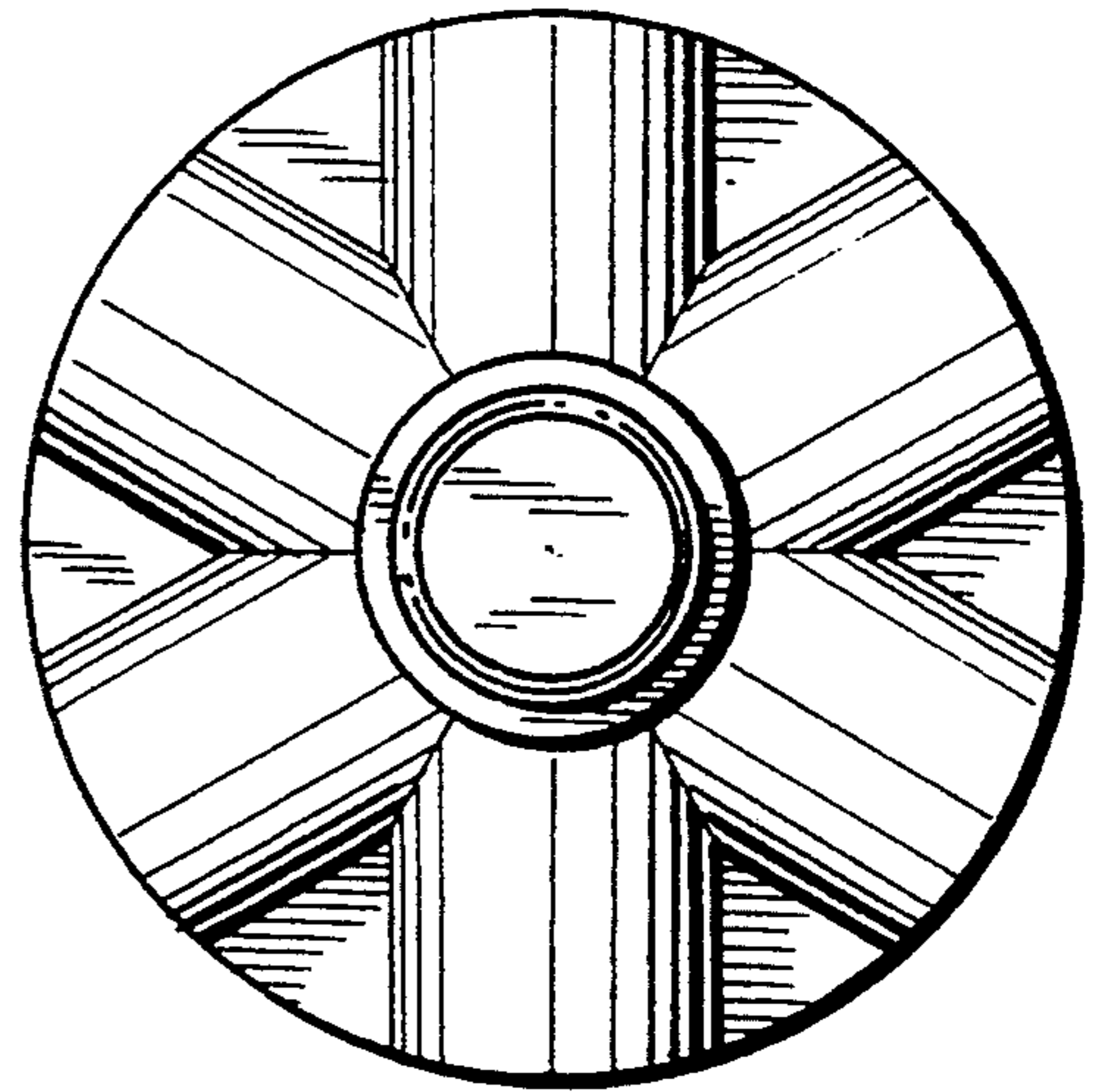


FIG. 3

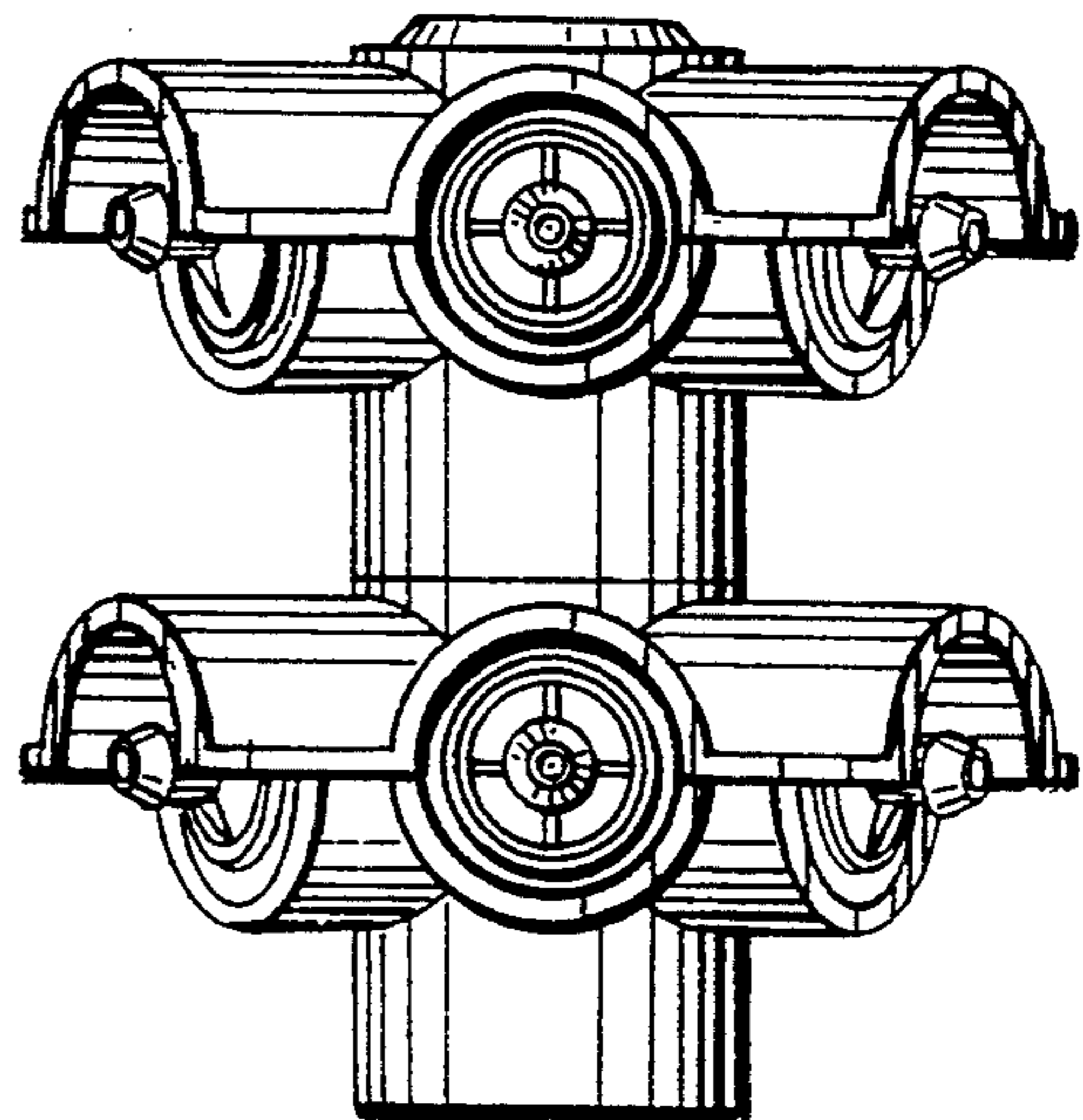


FIG. 2

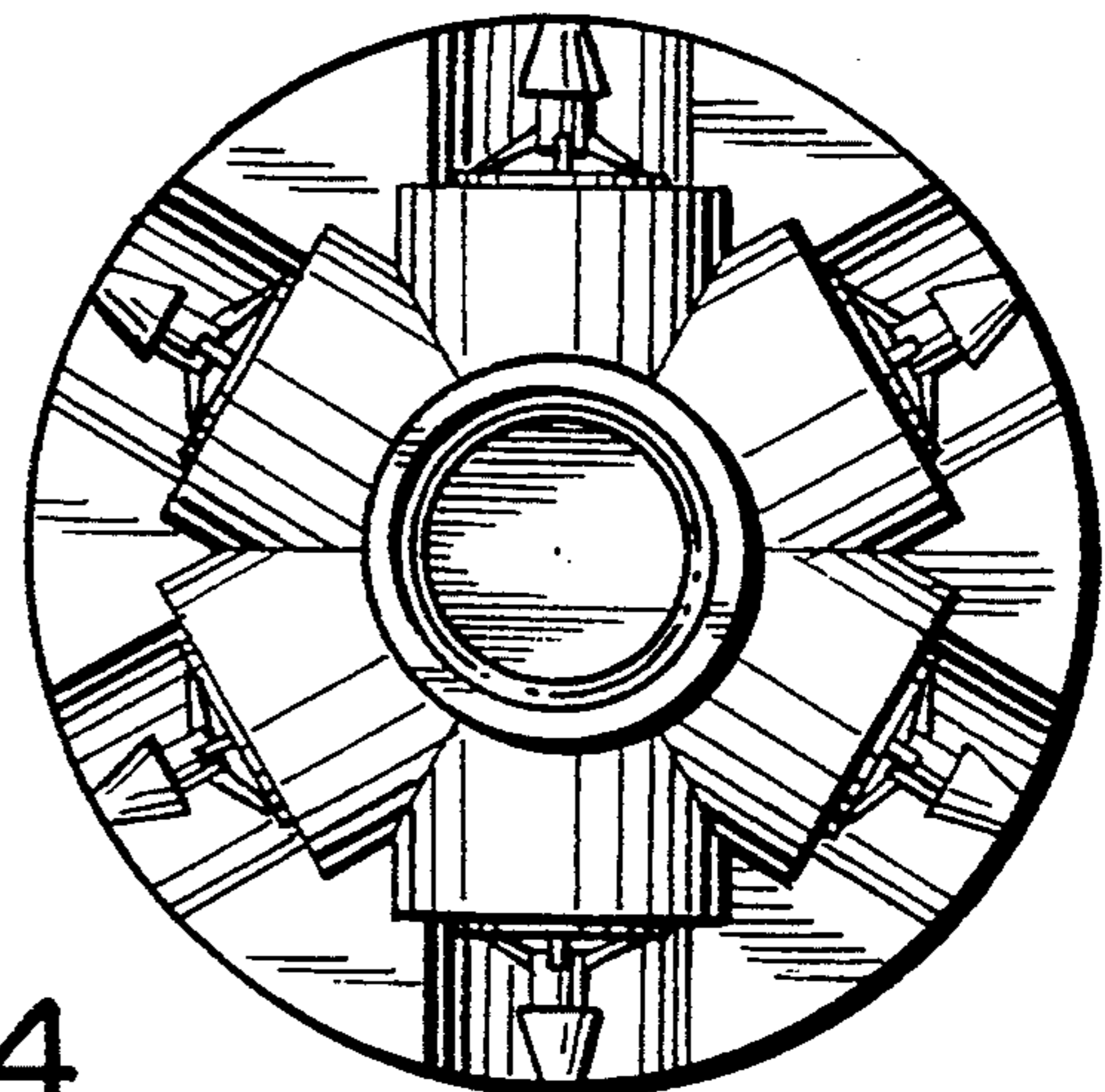


FIG. 4