



US00D356141S

United States Patent [19] Strong

[11] Patent Number: **Des. 356,141**

[45] Date of Patent: **** Mar. 7, 1995**

[54] **FISHING POLE HOLDER**

[76] Inventor: **James L. Strong**, 118 Main St., Truth or Consequence, N. Mex. 87901

[**] Term: **14 Years**

[21] Appl. No.: **4,903**

[22] Filed: **Feb. 16, 1993**

[52] U.S. Cl. **D22/147**

[58] Field of Search **D22/147; 43/21.2, 15, 43/16, 17; 248/511, 514, 530, 533, 538**

[56] **References Cited**

U.S. PATENT DOCUMENTS

1,091,491	3/1914	Ebur	248/533 X
2,661,563	12/1953	Adams, Jr. et al.	43/16
2,776,514	1/1957	Kinder	43/16
2,821,041	1/1958	Hughes	43/16

3,672,085	6/1972	King	43/21.2 X
3,979,852	9/1976	Johnson	43/16
4,031,651	6/1977	Titze	43/21.2 X

Primary Examiner—A. Hugo Word
Assistant Examiner—Doris V. Coles

[57] **CLAIM**

The ornamental design for a fishing pole holder, as shown and described.

DESCRIPTION

FIG. 1 is a front elevational view of the fishing pole holder showing my new design;
FIG. 2 is a rear elevational view thereof;
FIG. 3 is a left side elevational view thereof;
FIG. 4 is a right side elevational view thereof;
FIG. 5 is a top plan view thereof;
FIG. 6 is a bottom plan view thereof; and,
FIG. 7 is a top left perspective view thereof.

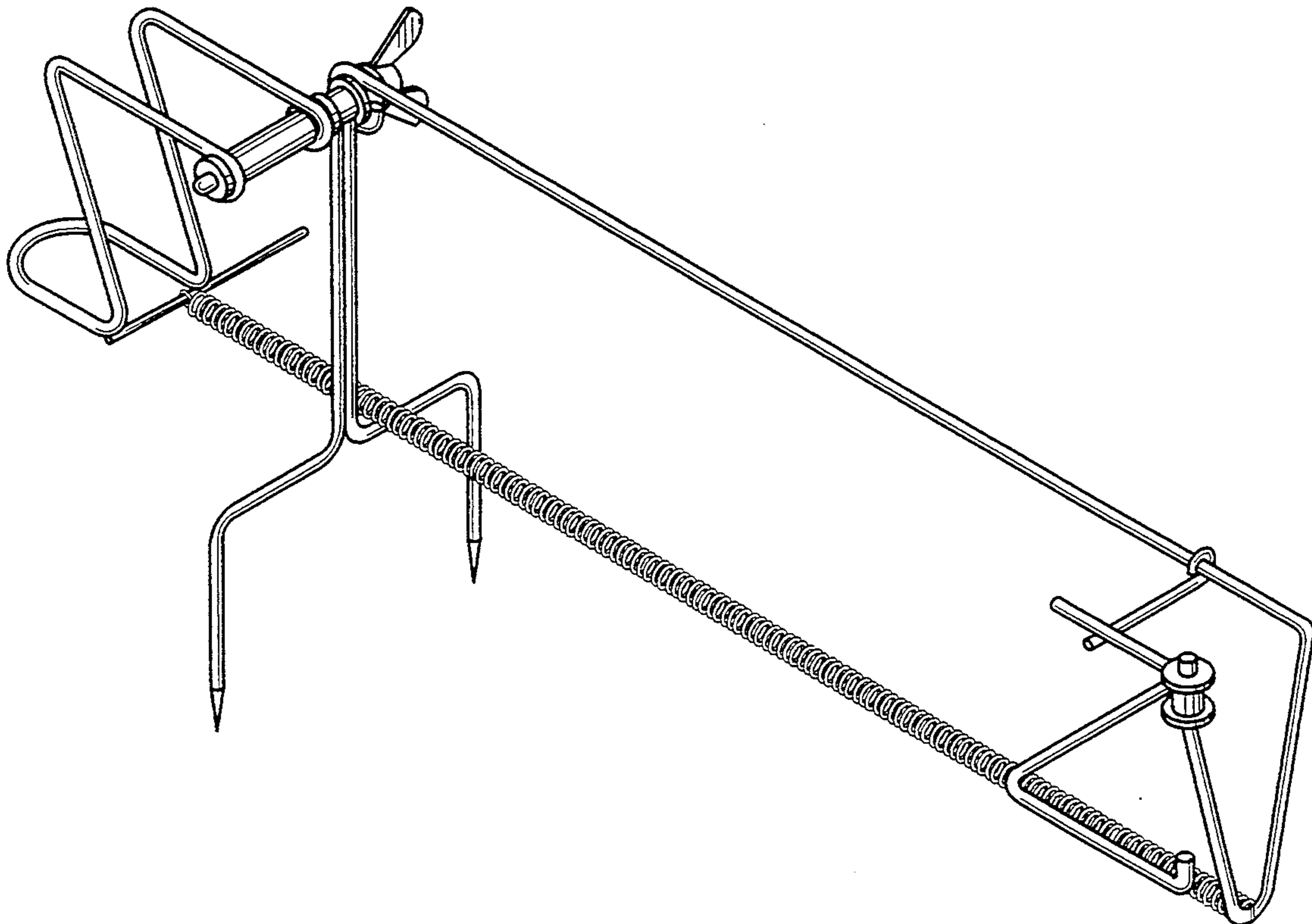


FIG. 1

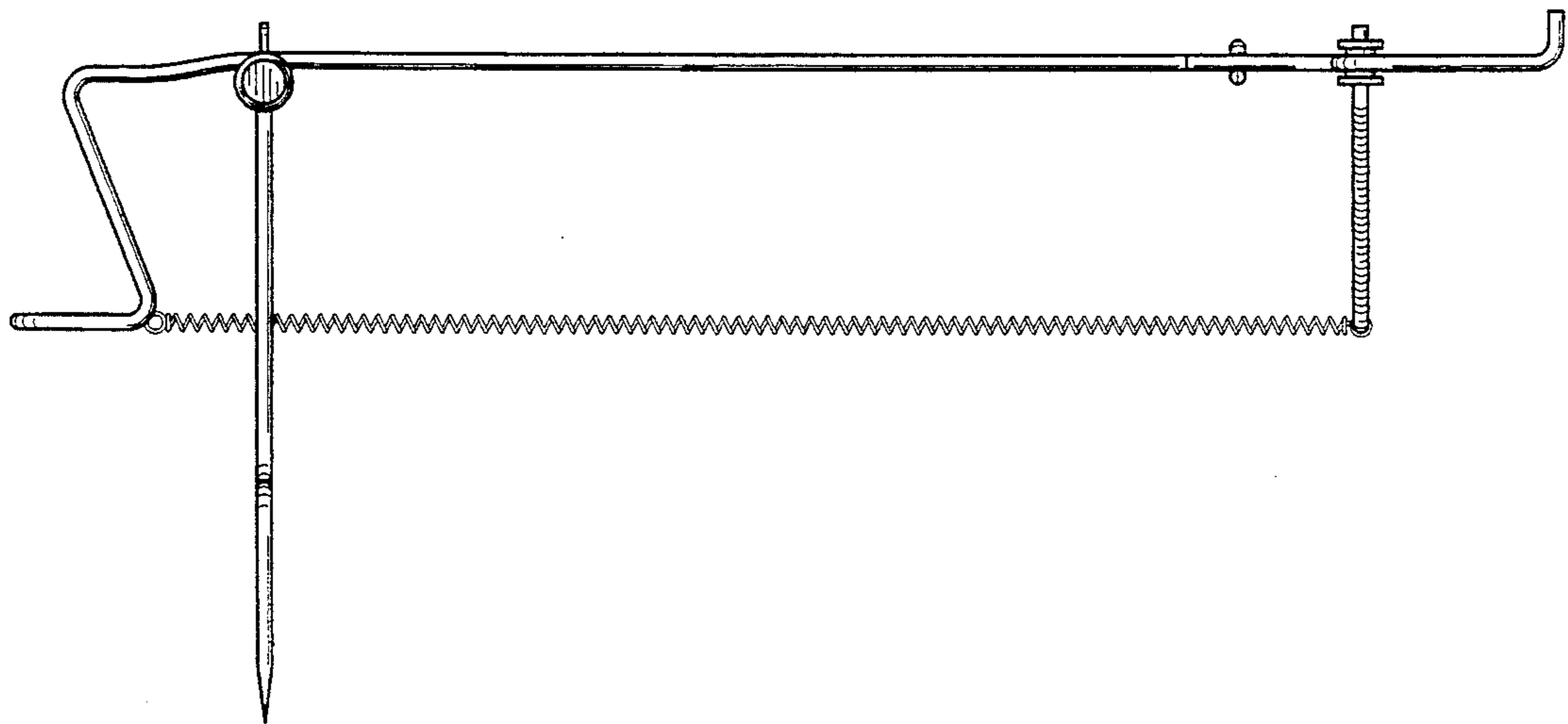


FIG. 2

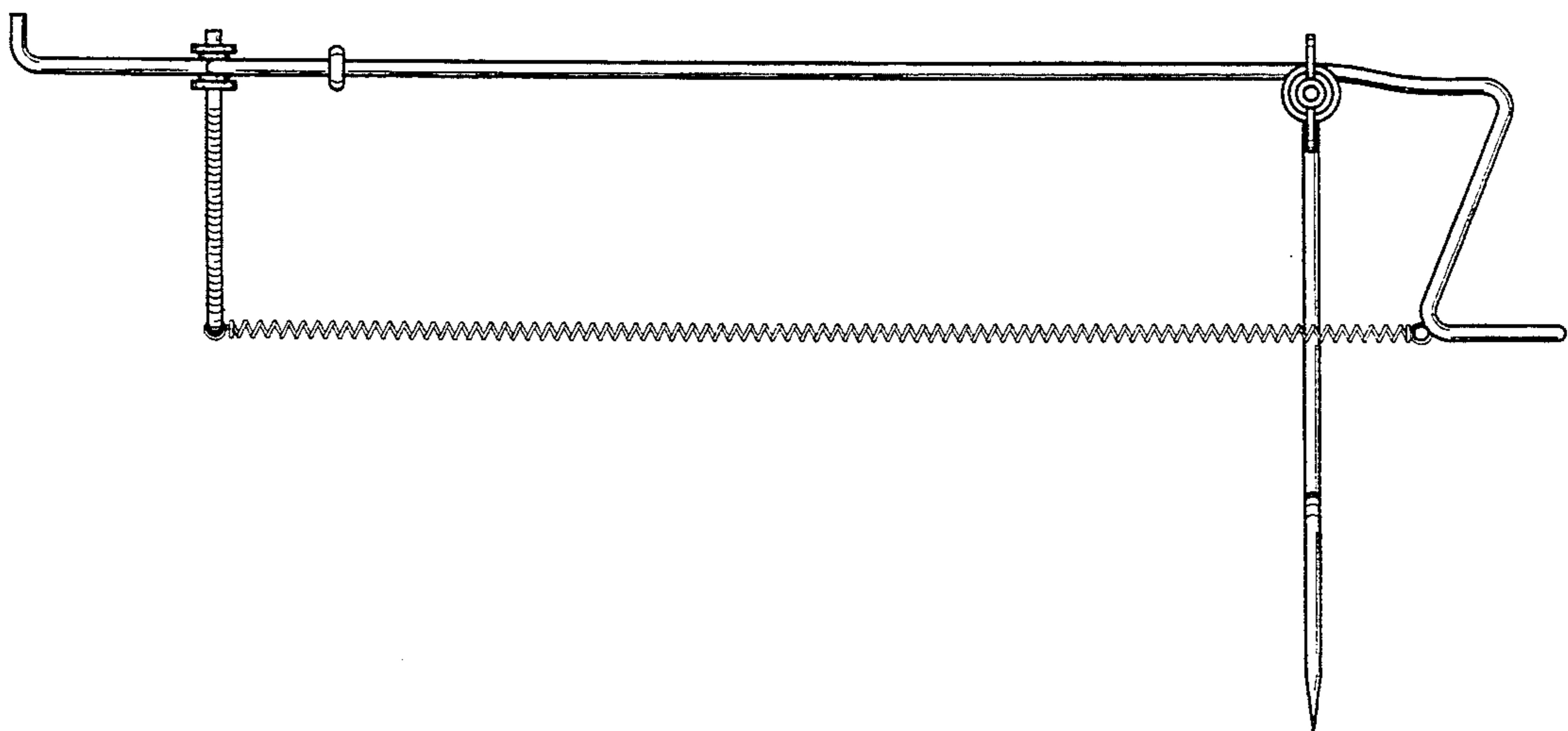


FIG. 3

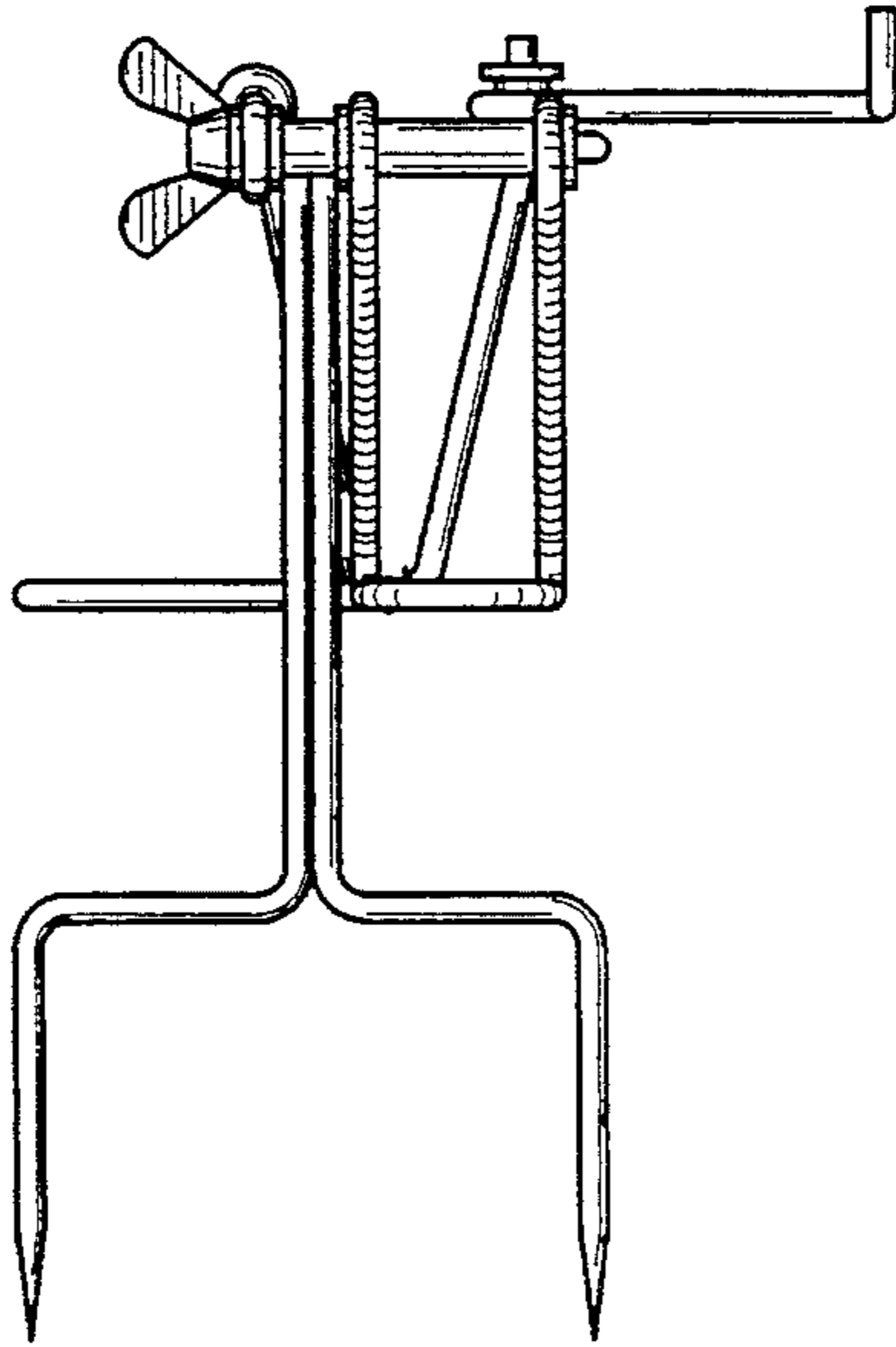


FIG. 4

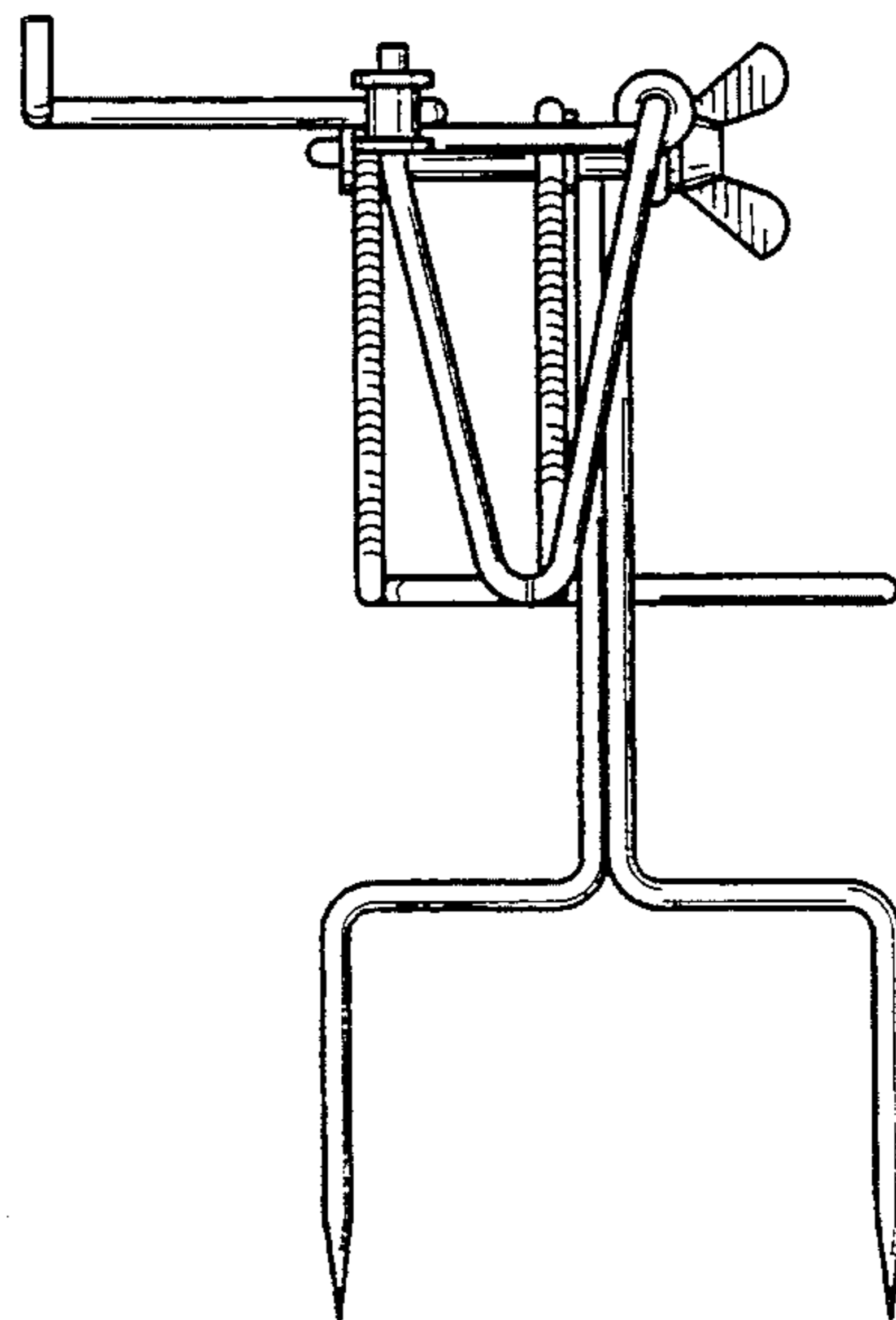


FIG. 5

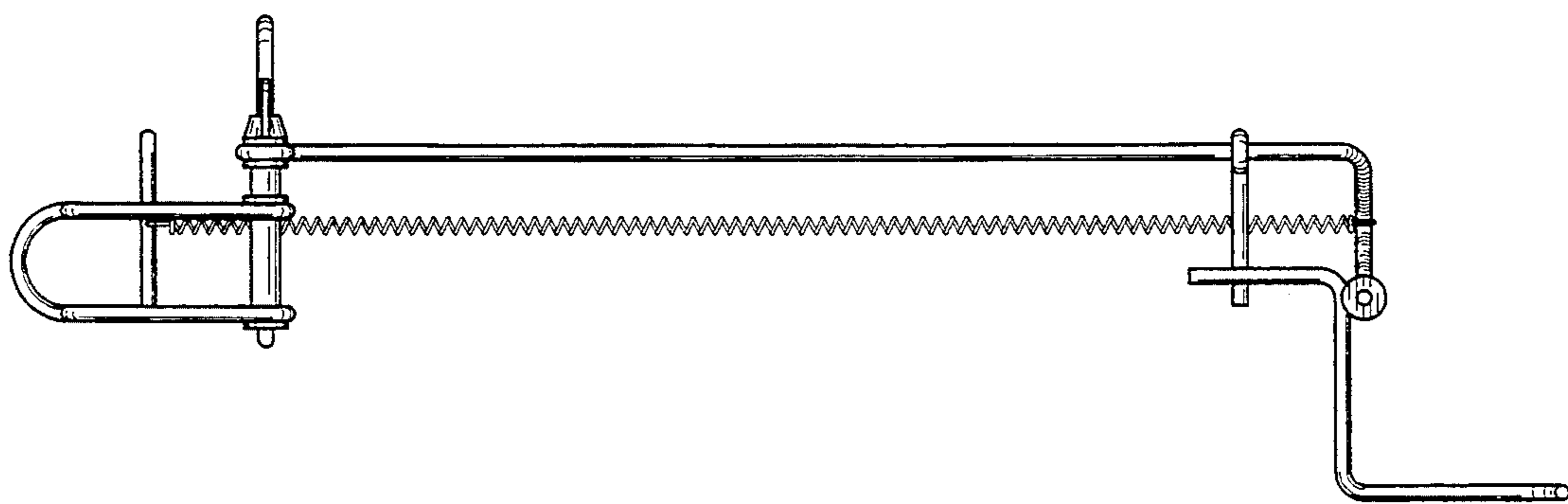


FIG. 6

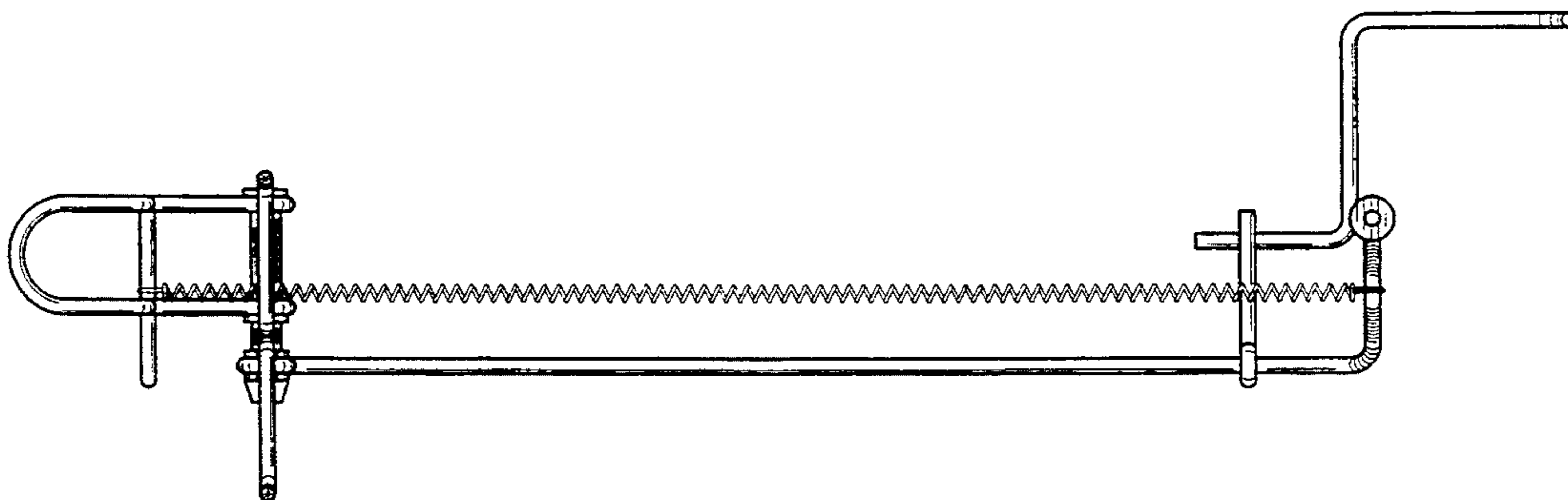


FIG. 7

