



US00D356140S

United States Patent [19]

[11] Patent Number: **Des. 356,140**

Meyer et al.

[45] Date of Patent: **** Mar. 7, 1995**

[54] FISHING POLE HOLDER

[76] Inventors: **Richard Meyer; Helene Meyer**, both of 8841 Piedra Way, Fair Oaks, Calif. 95628

[**] Term: **14 Years**

[21] Appl. No.: **4,397**

[22] Filed: **Feb. 4, 1993**

[52] U.S. Cl. **D22/147**

[58] Field of Search **D22/47, 134; D3/260; 43/21.2; 248/514, 515, 518; D8/52, 51; 81/367, 368**

[56] References Cited

U.S. PATENT DOCUMENTS

565,001	8/1896	Horton .	
1,013,734	1/1912	Boyd .	
2,475,193	7/1949	Miller .	
3,672,245	6/1972	Hoffman	81/367
3,859,874	1/1975	Joecker	81/367
3,897,922	8/1975	Keen	D22/147 X
4,198,775	4/1980	Leisner	43/21.2
4,546,680	10/1985	Peterson	D8/52 X
4,739,575	4/1988	Behrle	43/21.1
4,877,165	10/1989	Behrle	224/42.45 R
5,054,737	10/1991	Delancey	D22/147 X
5,142,809	9/1992	O'Brien et al.	43/21.2

FOREIGN PATENT DOCUMENTS

1287815 2/1987 U.S.S.R. D22/Brien et al.

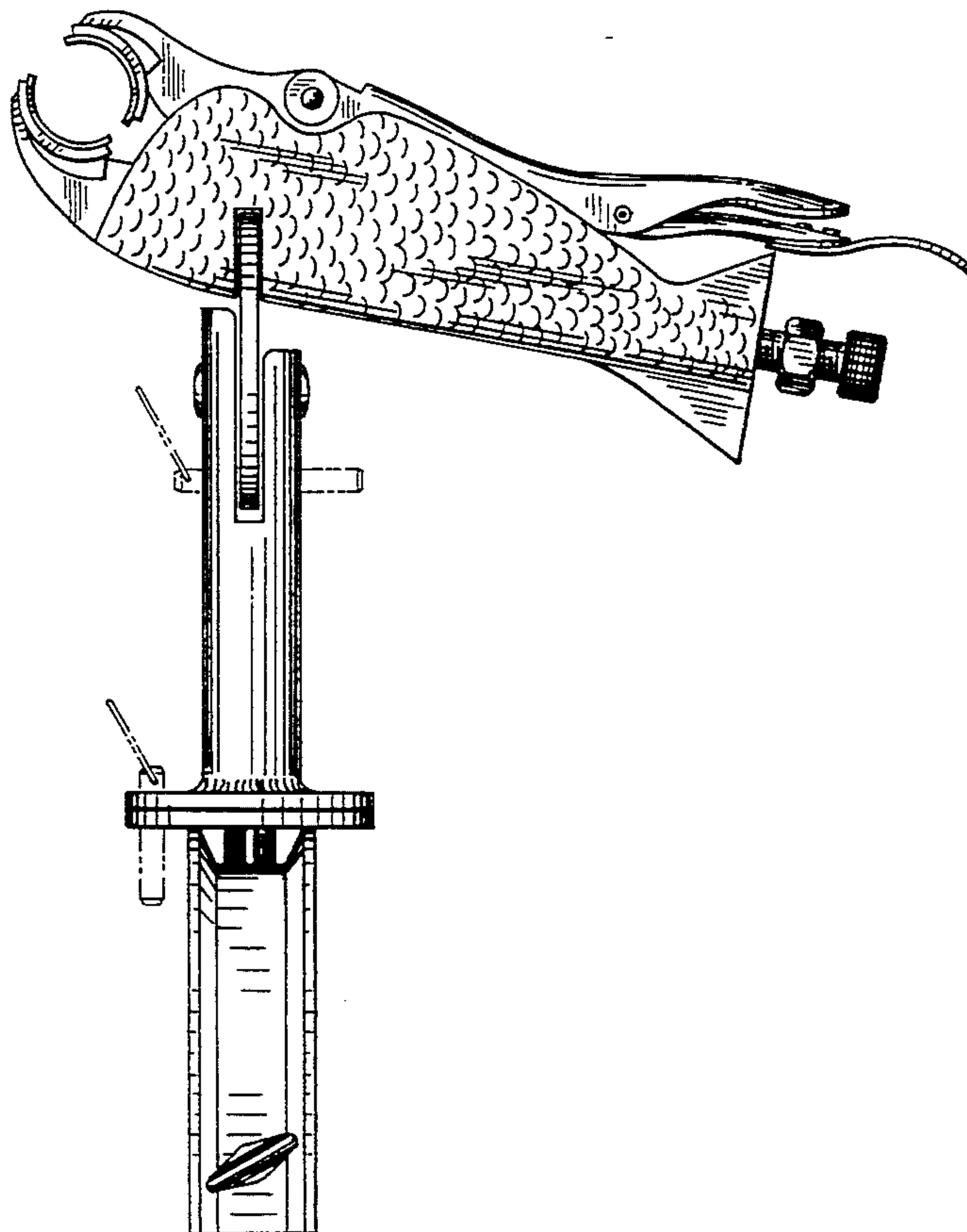
Primary Examiner—A. Hugo Word
Assistant Examiner—Doris V. Coles
Attorney, Agent, or Firm—Bernhard Kreten

[57] CLAIM

The ornamental design for a fishing pole holder, as shown and described.

DESCRIPTION

FIG. 1 is a bottom view of a fishing pole holder showing our new design;
 FIG. 2 is a side view thereof, wherein the fishing pole holder is in a clamped position;
 FIG. 3 is a side view thereof wherein the fishing pole holder is in an unclamped position;
 FIG. 4 is an opposite side view of that which is shown in FIG. 2;
 FIG. 5 is an opposite side view of that which is shown in FIG. 3;
 FIG. 6 is a front view thereof;
 FIG. 7 is a rear view thereof; and,
 FIG. 8 is a top view thereof.
 The broken lines shown in FIGS. 2 through 5 are for illustrative purposes and form no part of the claimed design.



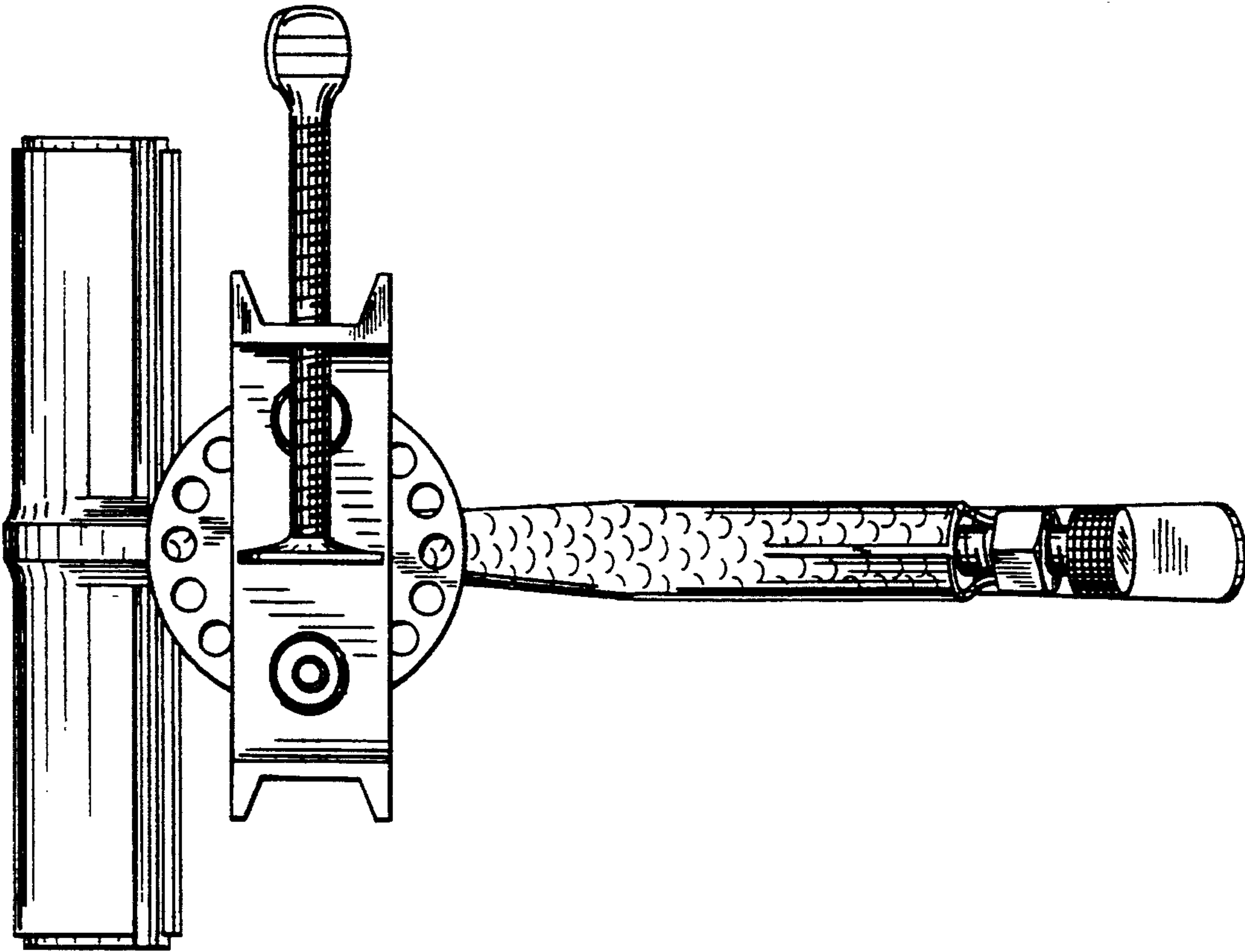


FIG. 1

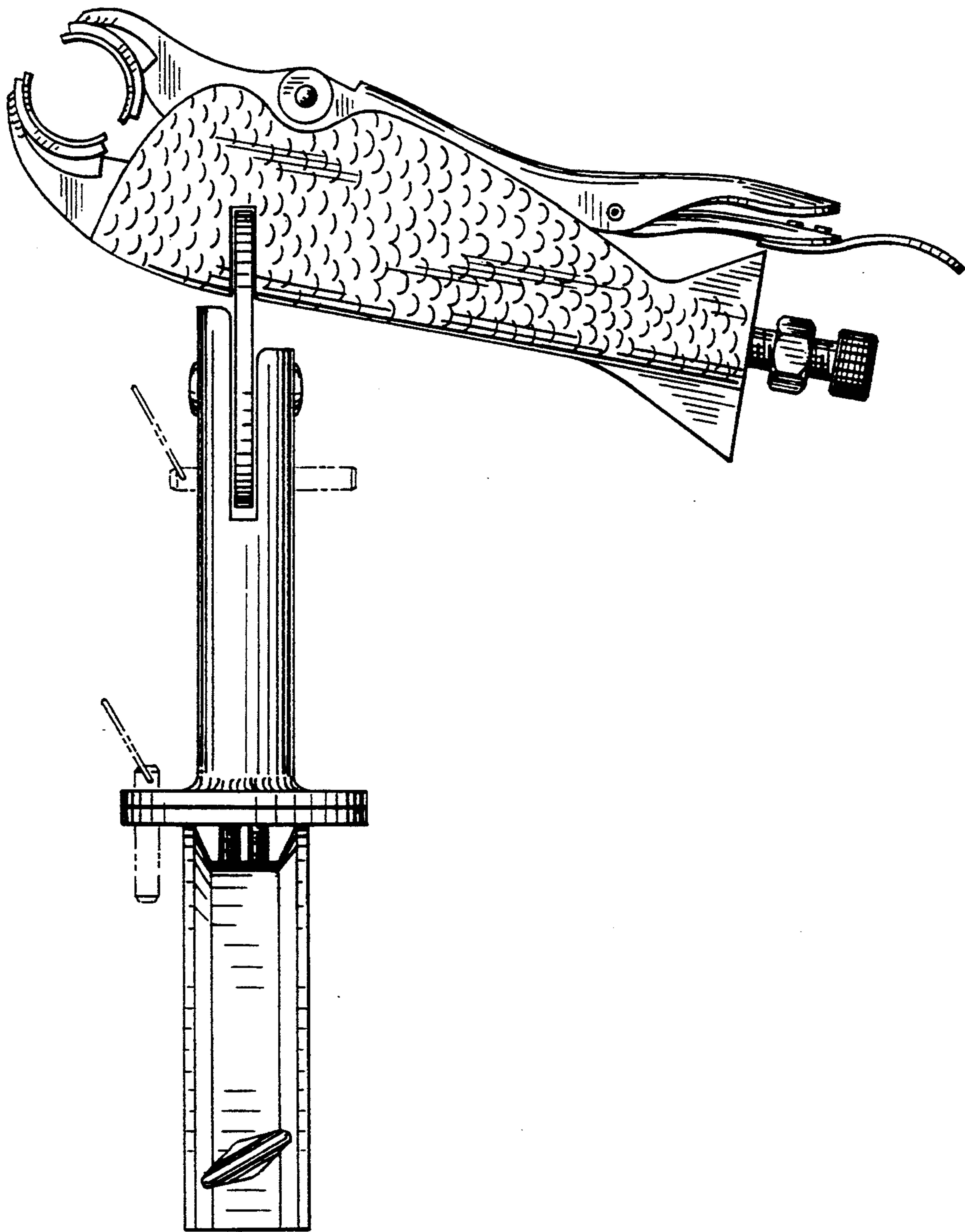


FIG. 2

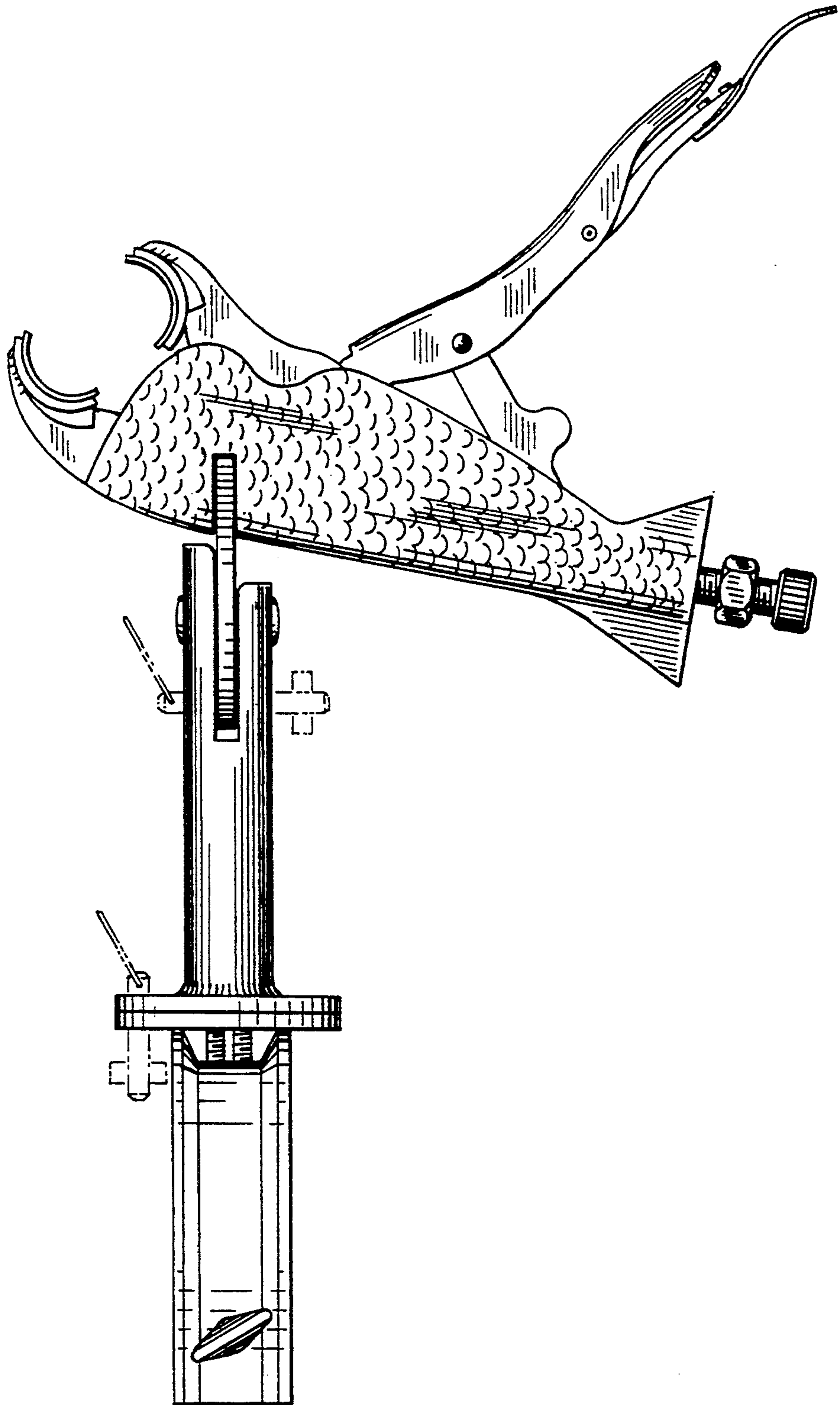


FIG. 3

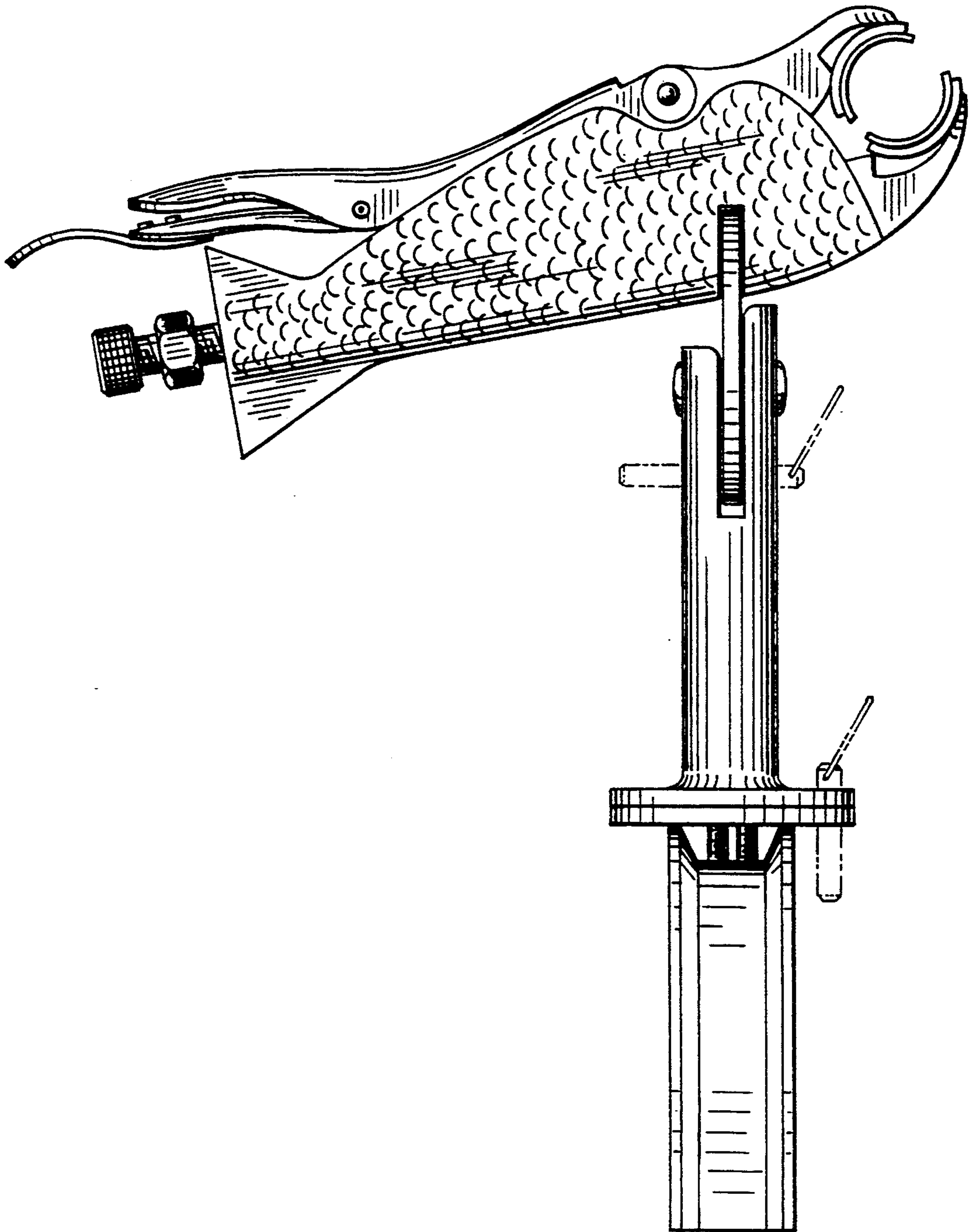


FIG. 4

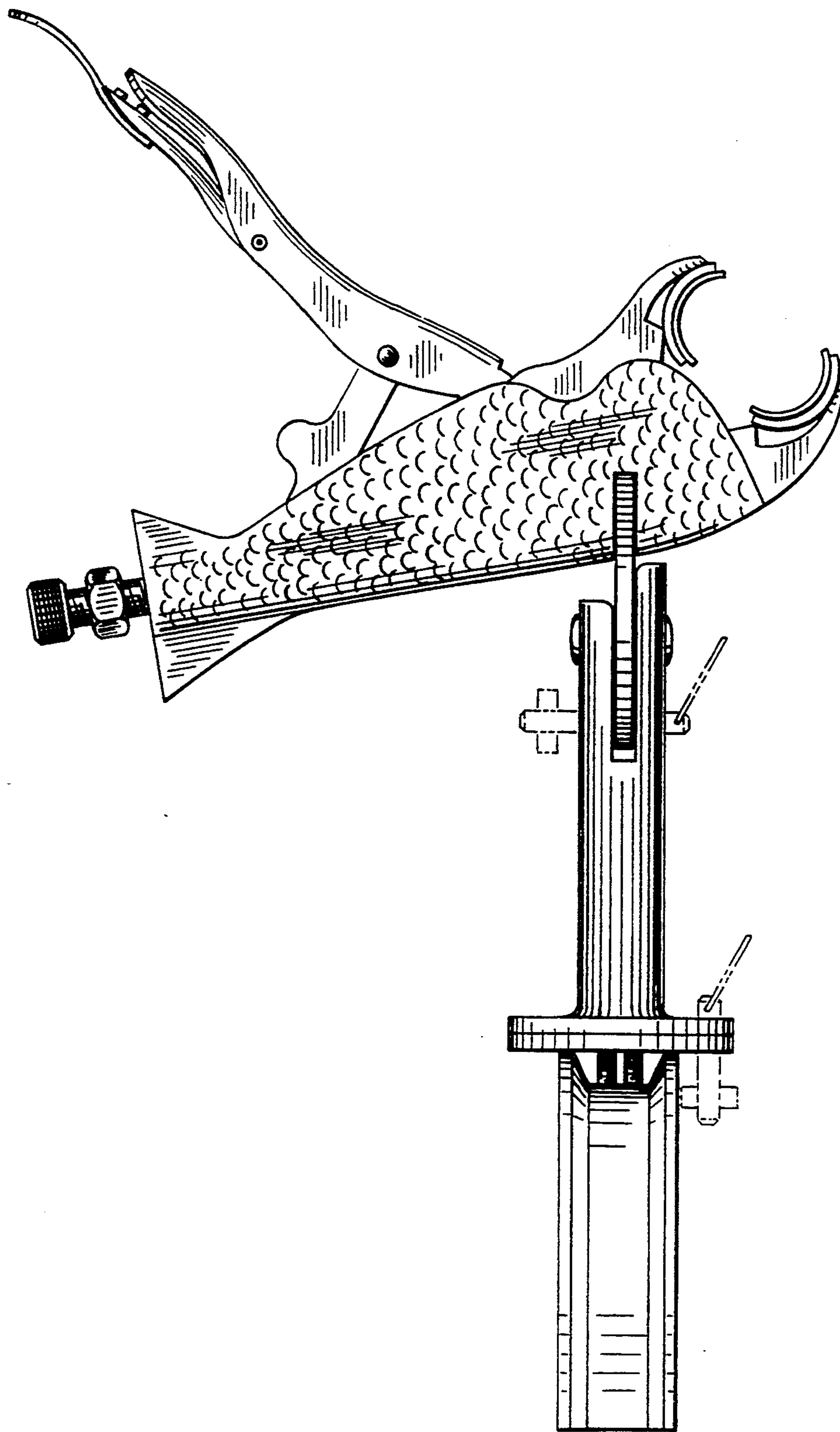


FIG. 5

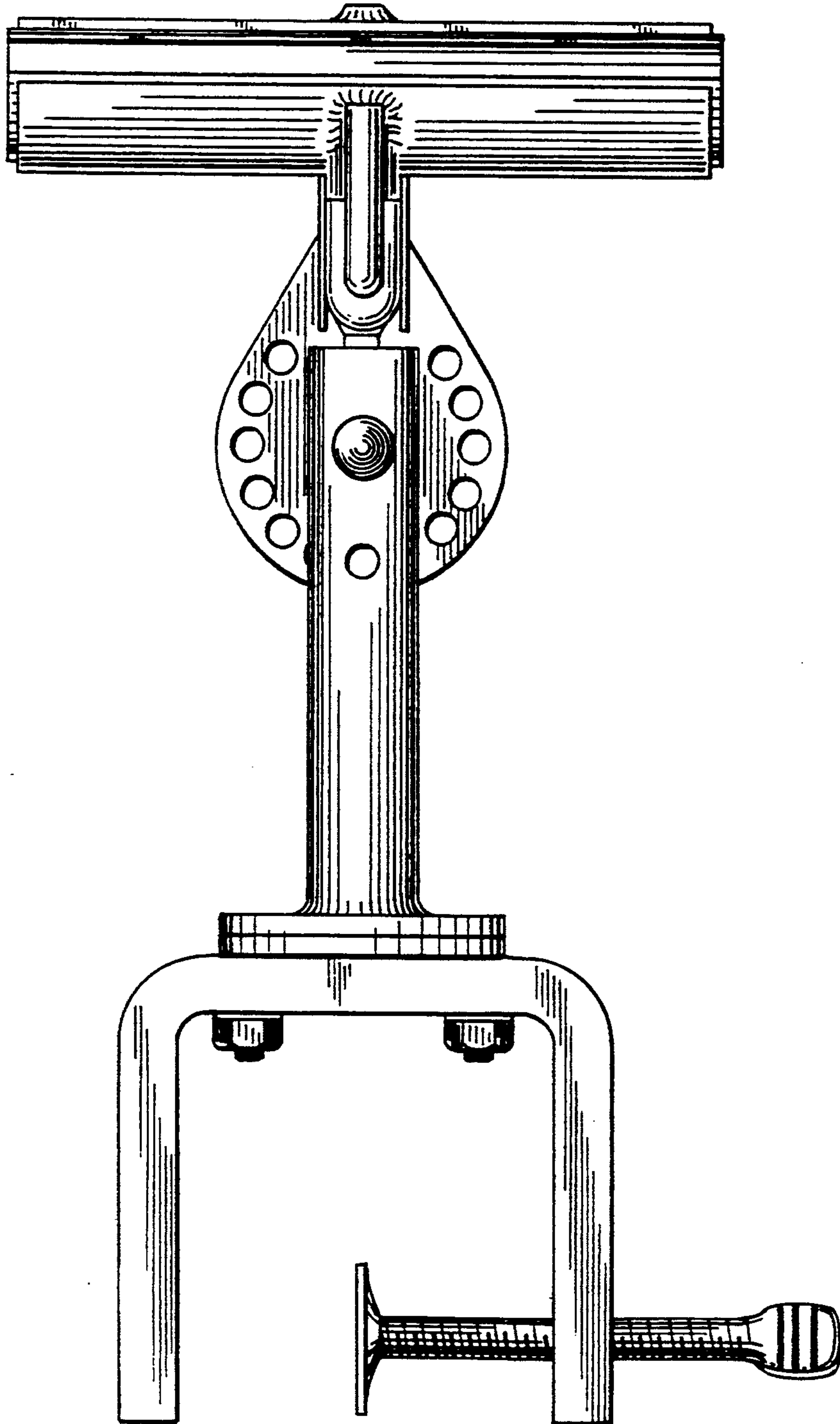


FIG. 6

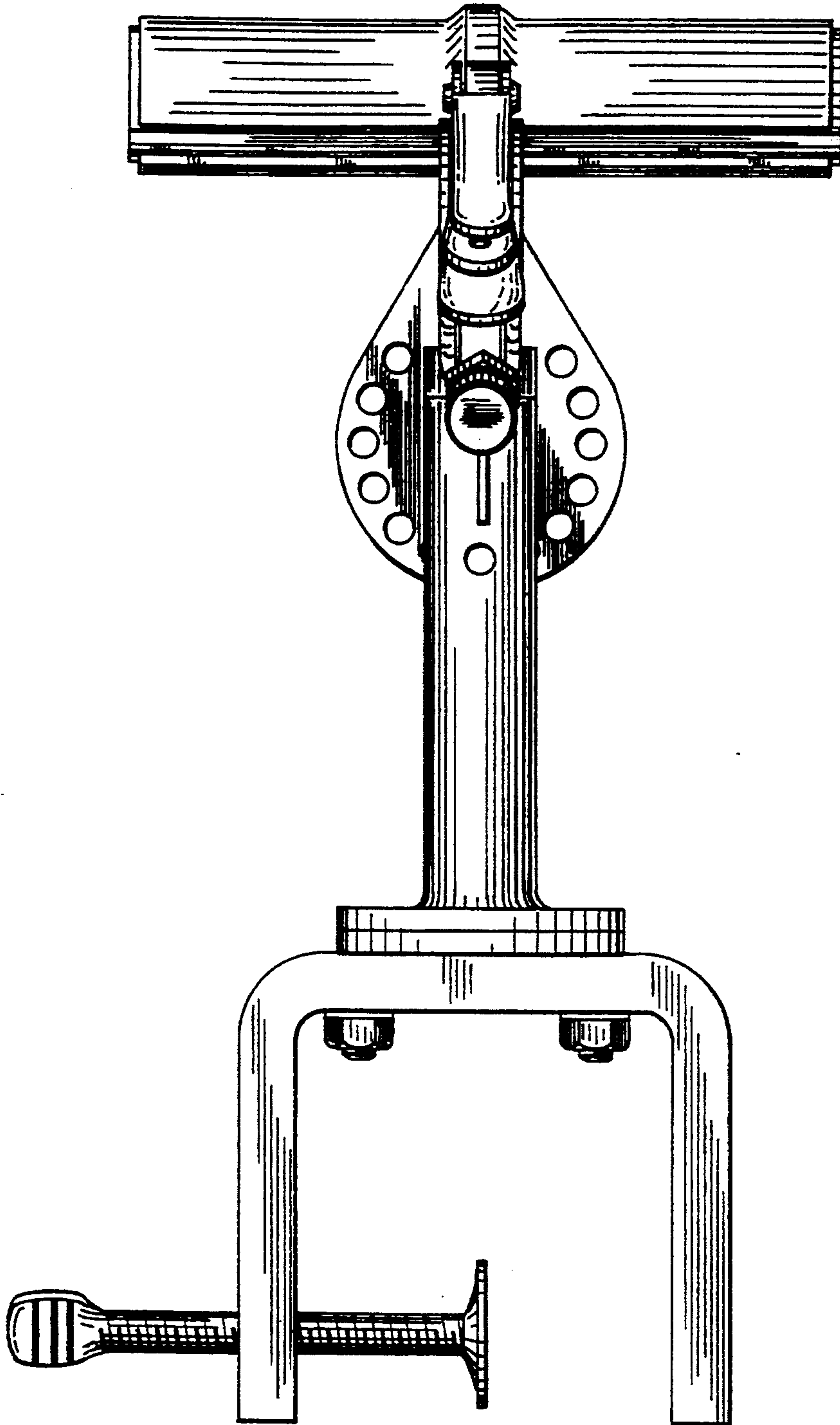


FIG. 7

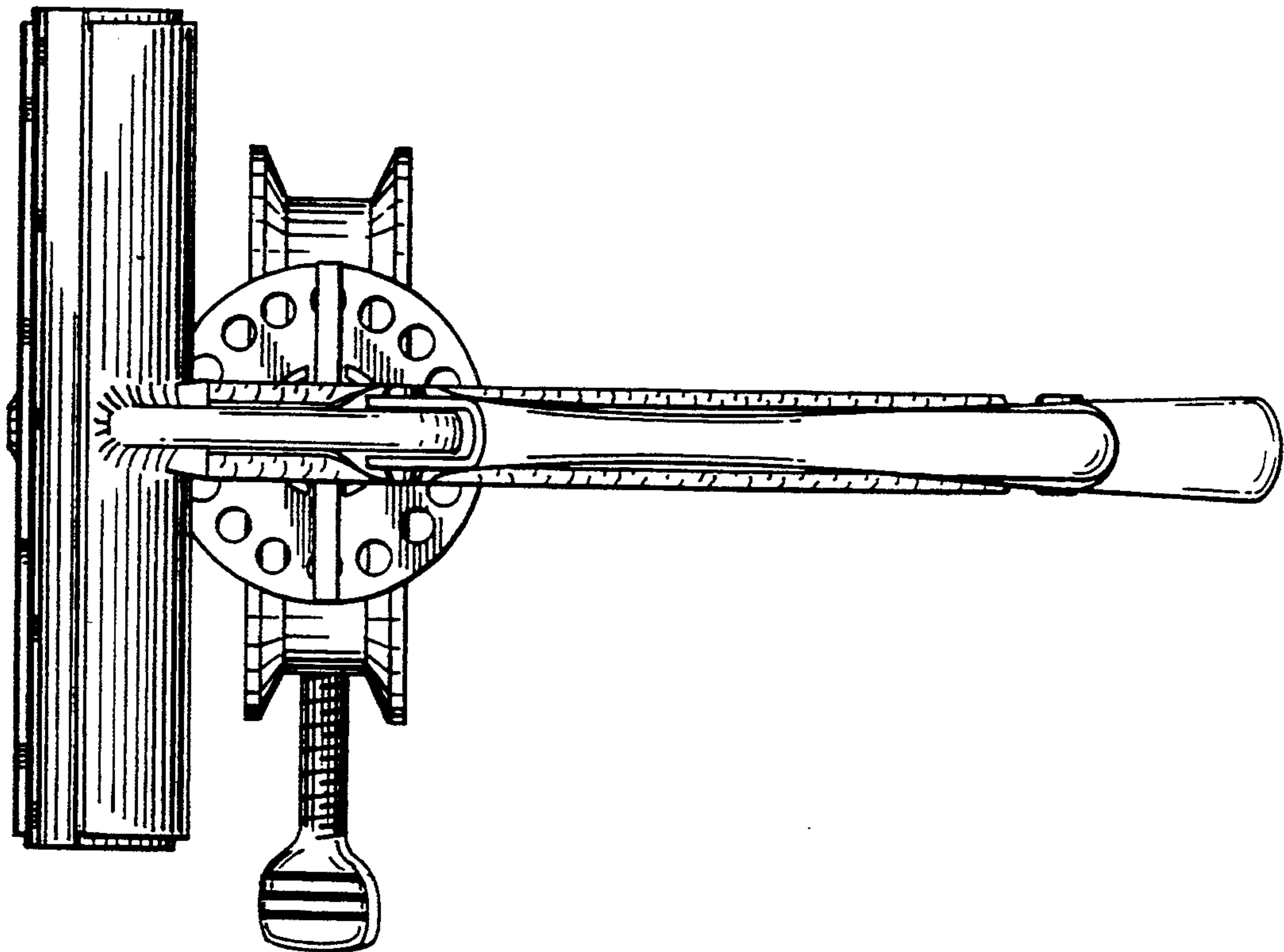


FIG. 8