



US00D356139S

United States Patent [19]

[11] Patent Number: **Des. 356,139**

Onishi

[45] Date of Patent: **** Mar. 7, 1995**

[54] **FISHING REEL**

[56] **References Cited**

[75] Inventor: **Kenji Onishi, Sakai, Japan**

U.S. PATENT DOCUMENTS

[73] Assignee: **Shimano Inc., Osaka, Japan**

- D. 299,511 1/1989 Kameda et al. D22/140
- D. 300,166 3/1989 Myojo D22/140
- D. 315,011 2/1991 Kameda et al. D22/140
- D. 326,306 5/1992 Sakurai D22/140

[**] Term: **14 Years**

Primary Examiner—A. Hugo Word
Assistant Examiner—Doris V. Coles
Attorney, Agent, or Firm—Dickstein, Shapiro & Morin

[21] Appl. No.: **13,168**

[57] CLAIM

[22] Filed: **Sep. 20, 1993**

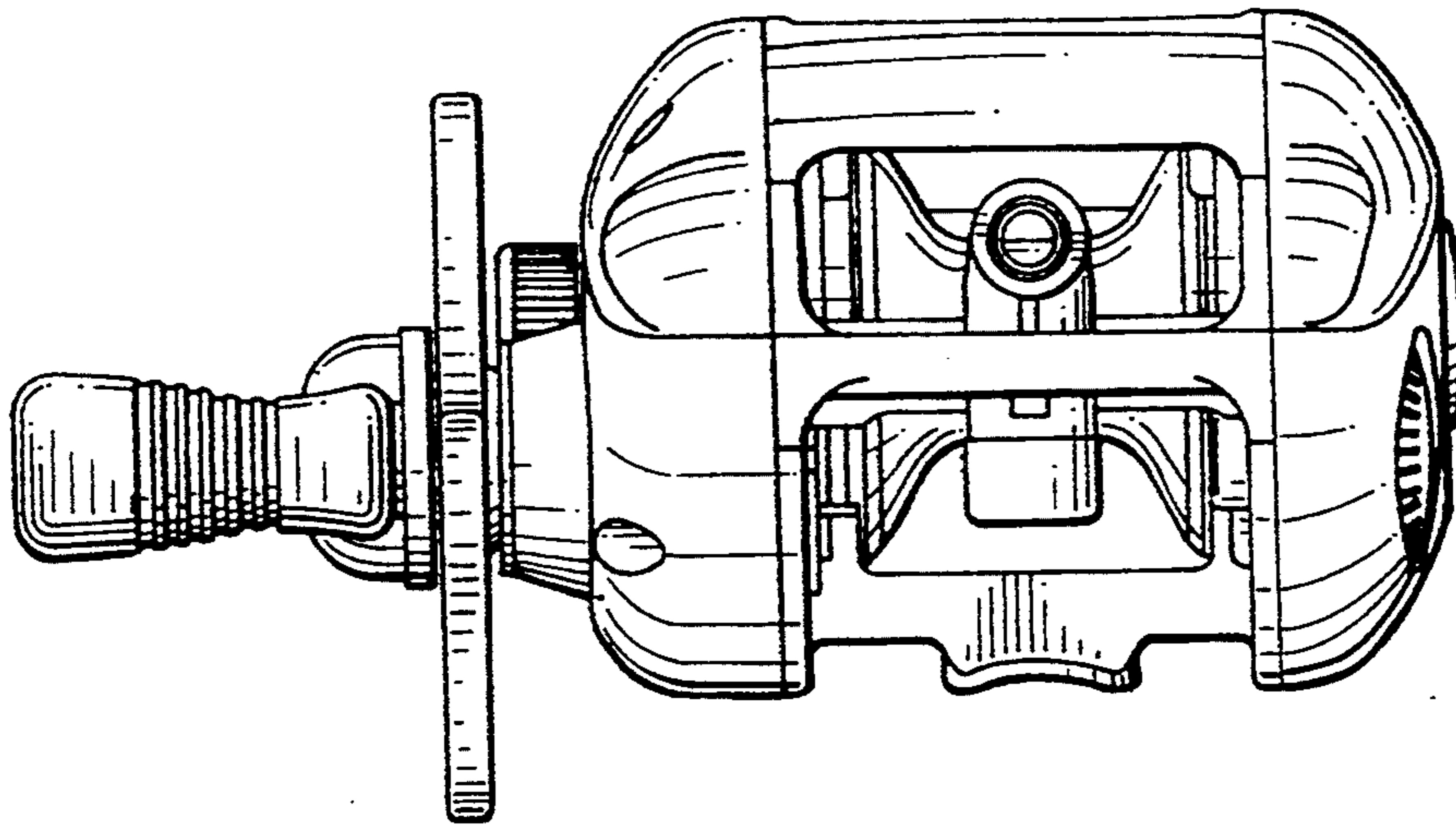
The ornamental design of a fishing reel, as shown and described.

[30] Foreign Application Priority Data

DESCRIPTION

- Mar. 29, 1993 [JP] Japan 5-08984
- [52] U.S. Cl. **D22/140**
- [58] Field of Search D22/140, 141;
242/234-238, 257-262, 279, 311, 312

FIG. 1 is a front view of our fishing reel;
FIG. 2 is a rear view thereof;
FIG. 3 is a left side view thereof;
FIG. 4 is a right side view thereof;
FIG. 5 is a plan view thereof; and,
FIG. 6 is a bottom view thereof.



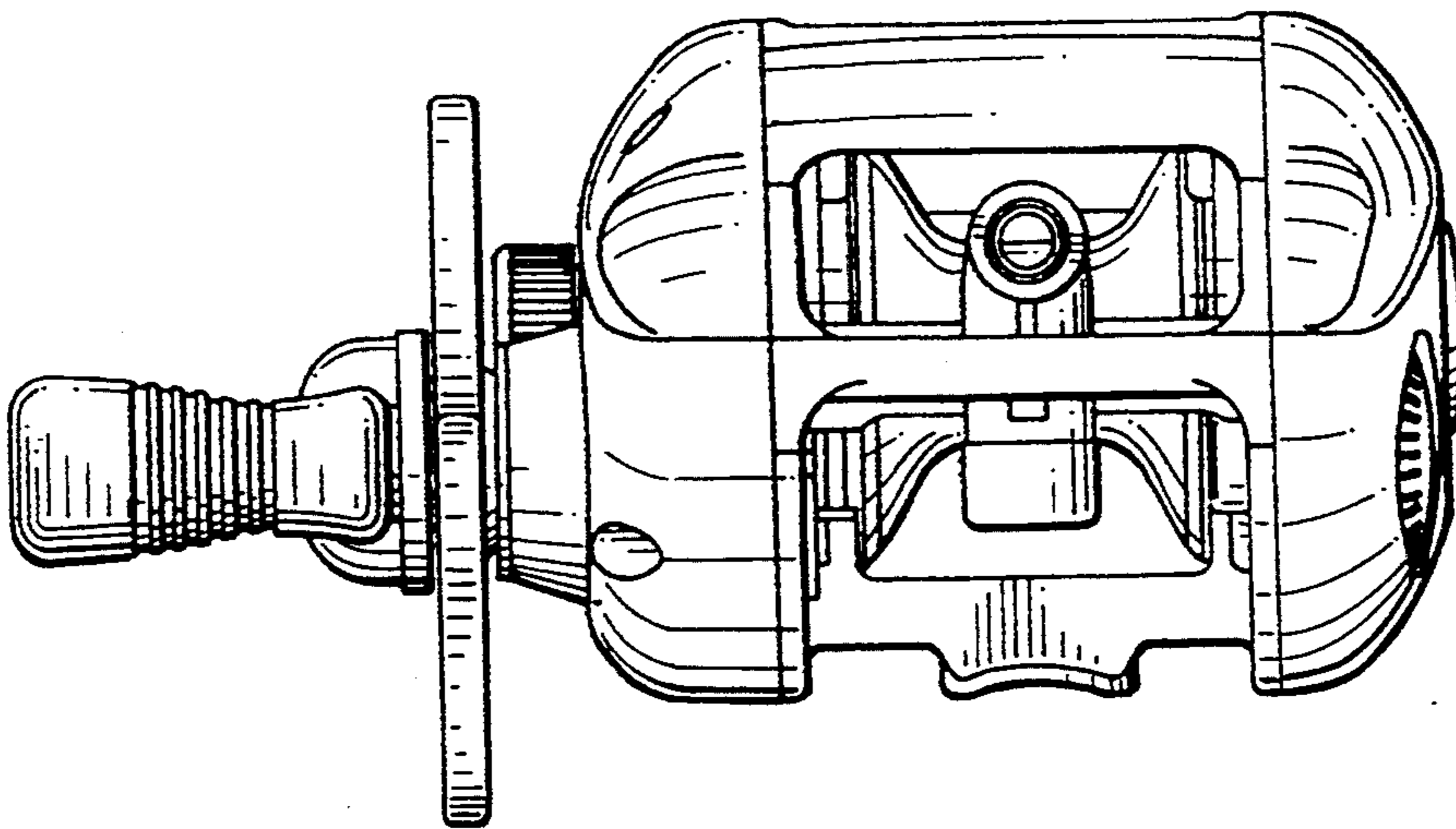


FIG. 1

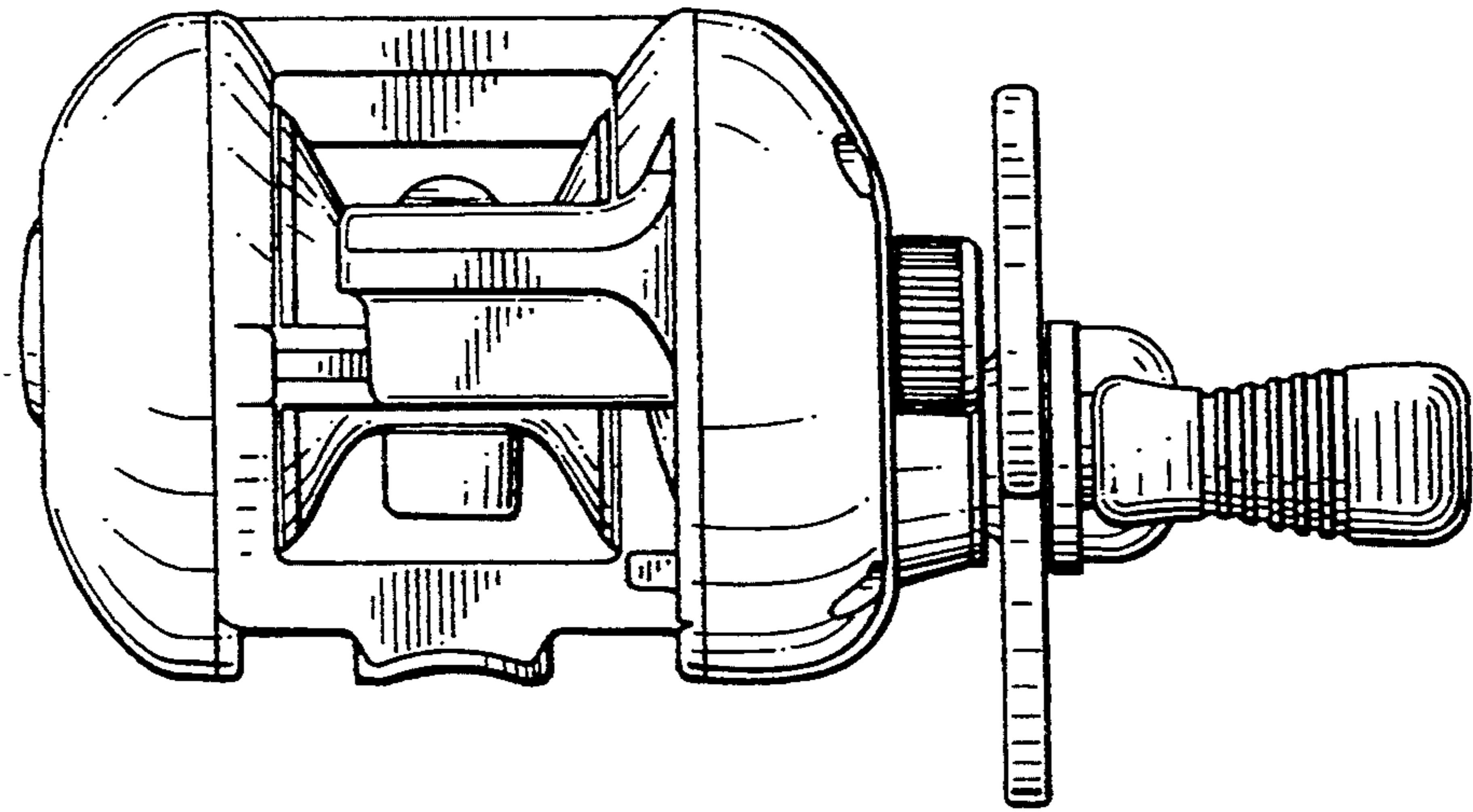


FIG. 2

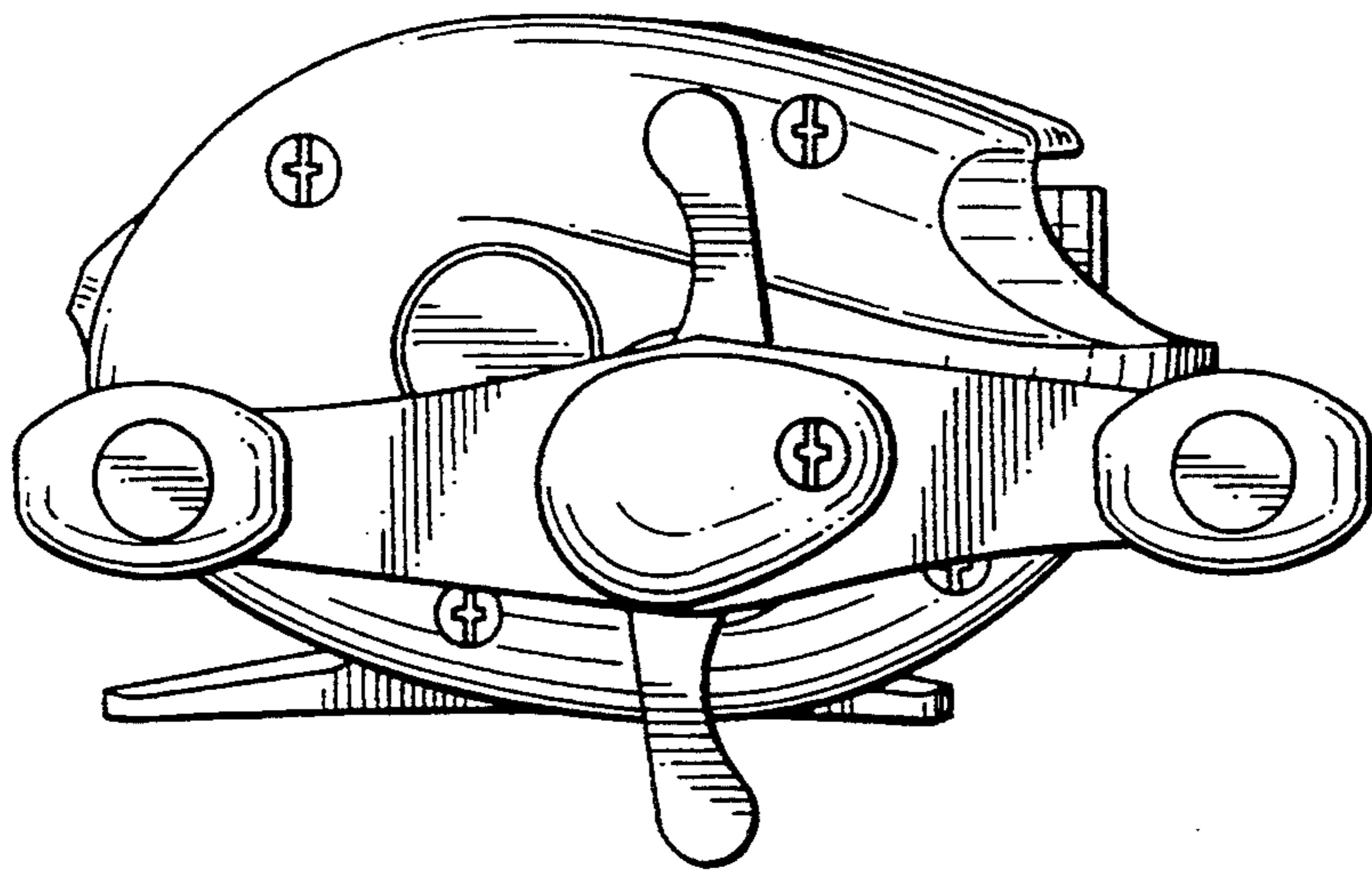


FIG. 3

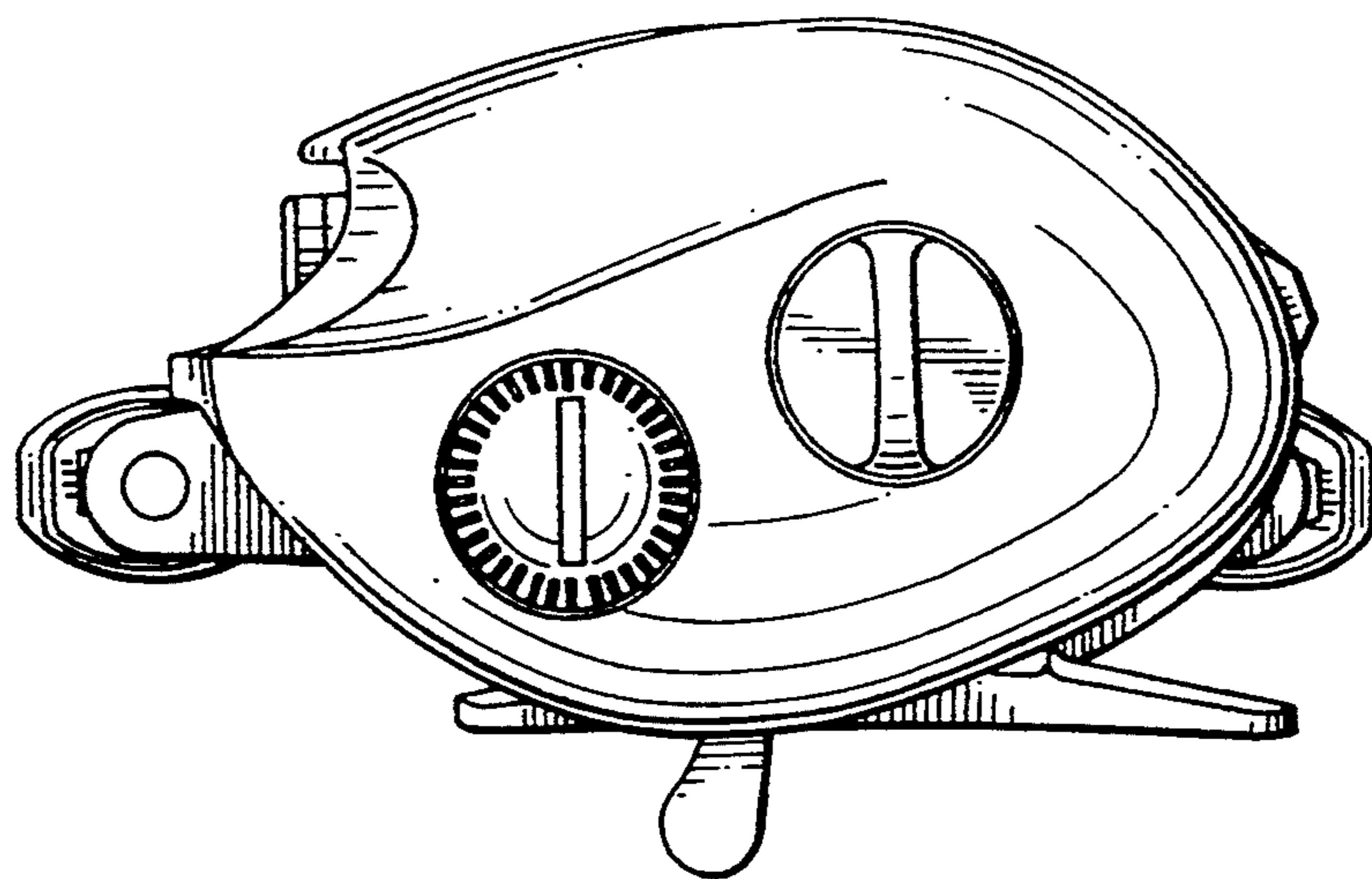


FIG. 4

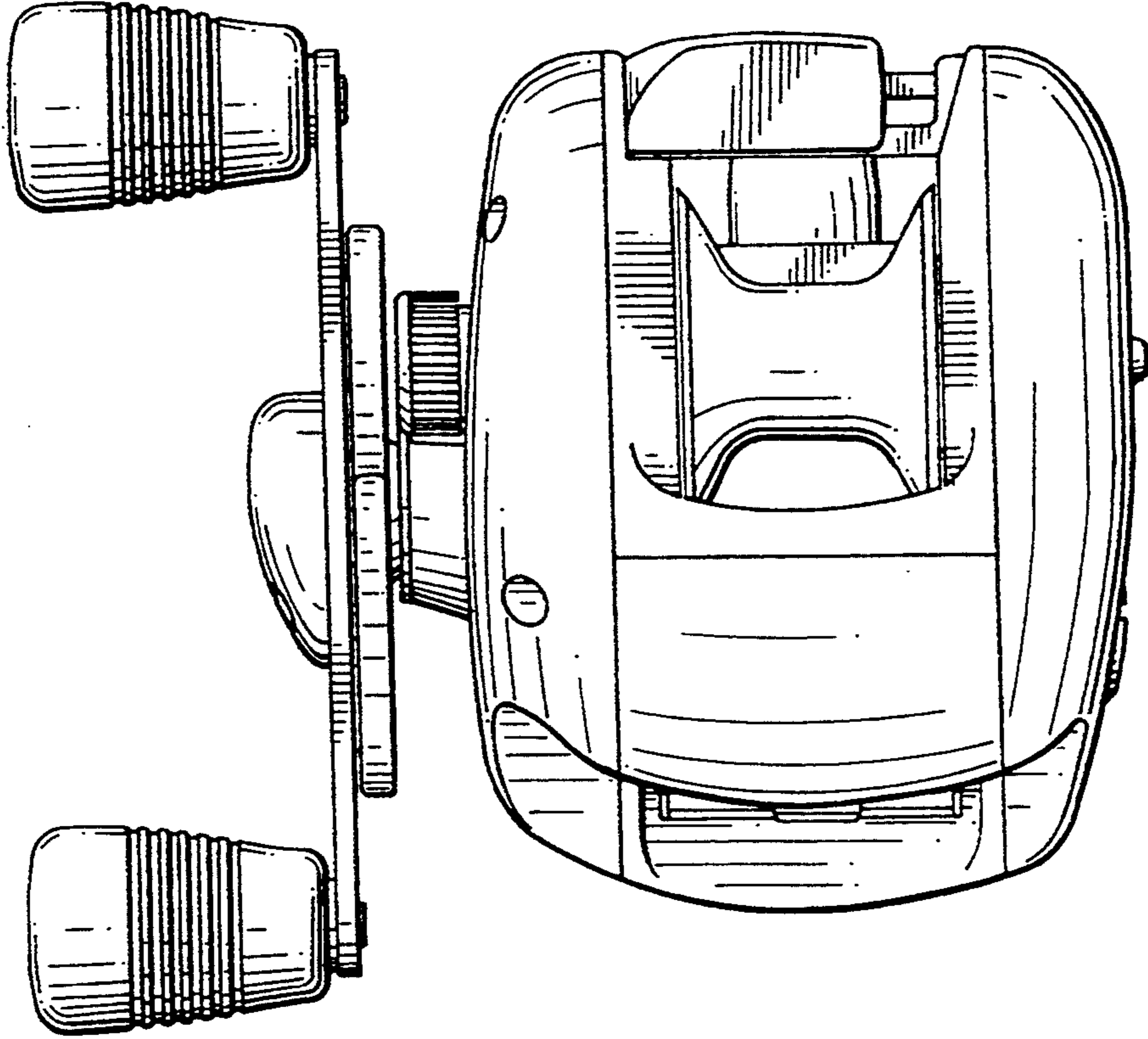


FIG. 5

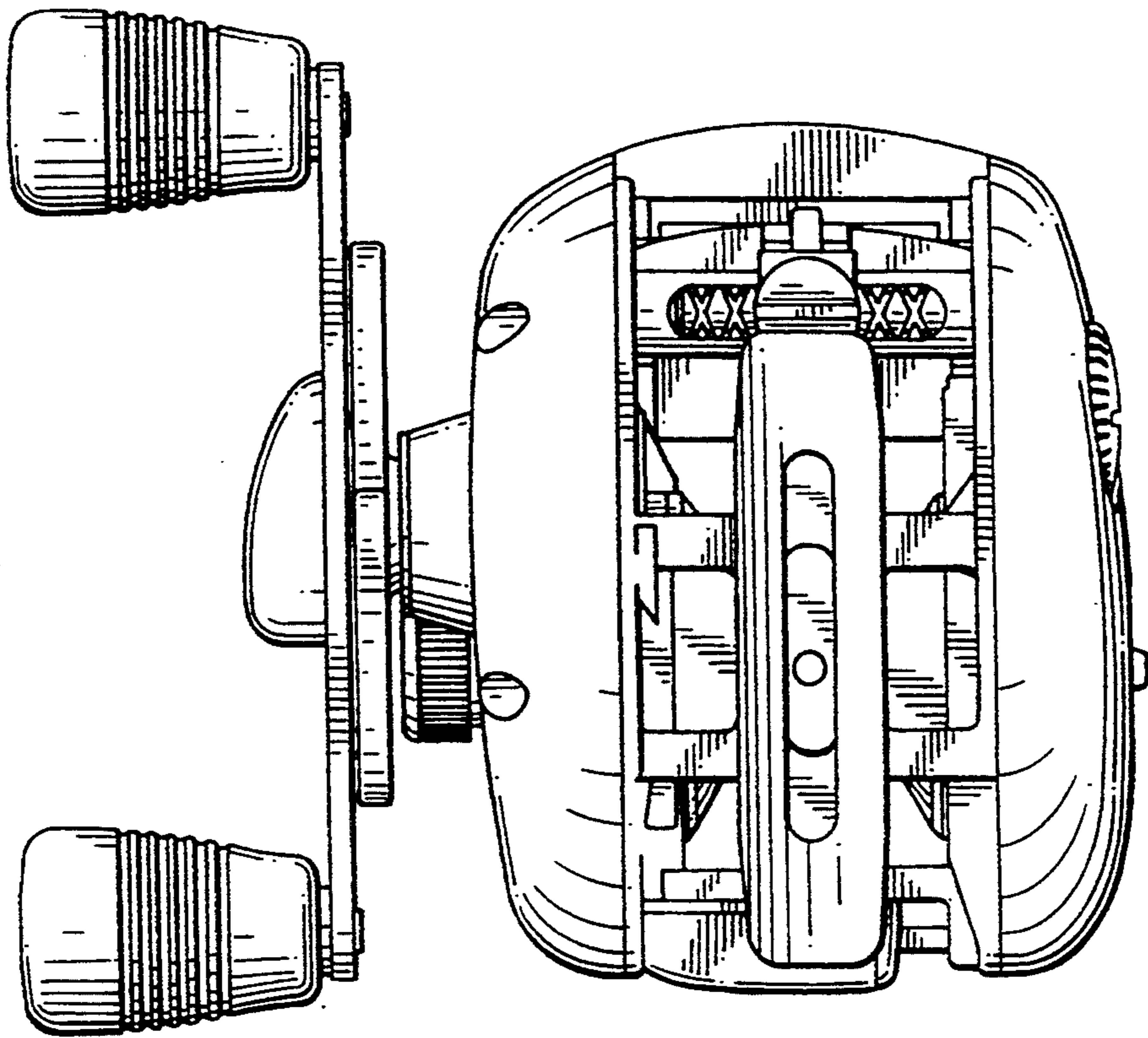


FIG. 6