



US00D356138S

United States Patent [19]
Onishi

[11] **Patent Number: Des. 356,138**

[45] **Date of Patent: ** Mar. 7, 1995**

[54] **FISHING REEL**

[75] **Inventor: Kenji Onishi, Sakai, Japan**

[73] **Assignee: Shimano Inc., Osaka, Japan**

[**] **Term: 14 Years**

[21] **Appl. No.: 13,157**

[22] **Filed: Sep. 20, 1993**

[30] **Foreign Application Priority Data**

Mar. 29, 1993 [JP] Japan 5-08983

[52] **U.S. Cl. D22/140**

[58] **Field of Search D22/140, 141; 242/311, 242/312, 257-262, 234-238, 279**

[56] **References Cited**

U.S. PATENT DOCUMENTS

D. 261,297	10/1981	Sakamoto et al.	D22/140
D. 299,848	2/1989	Hiraishi et al.	D22/140
D. 346,006	4/1994	Sakurai et al.	D22/140
4,821,978	4/1989	Kaneko	242/312 X

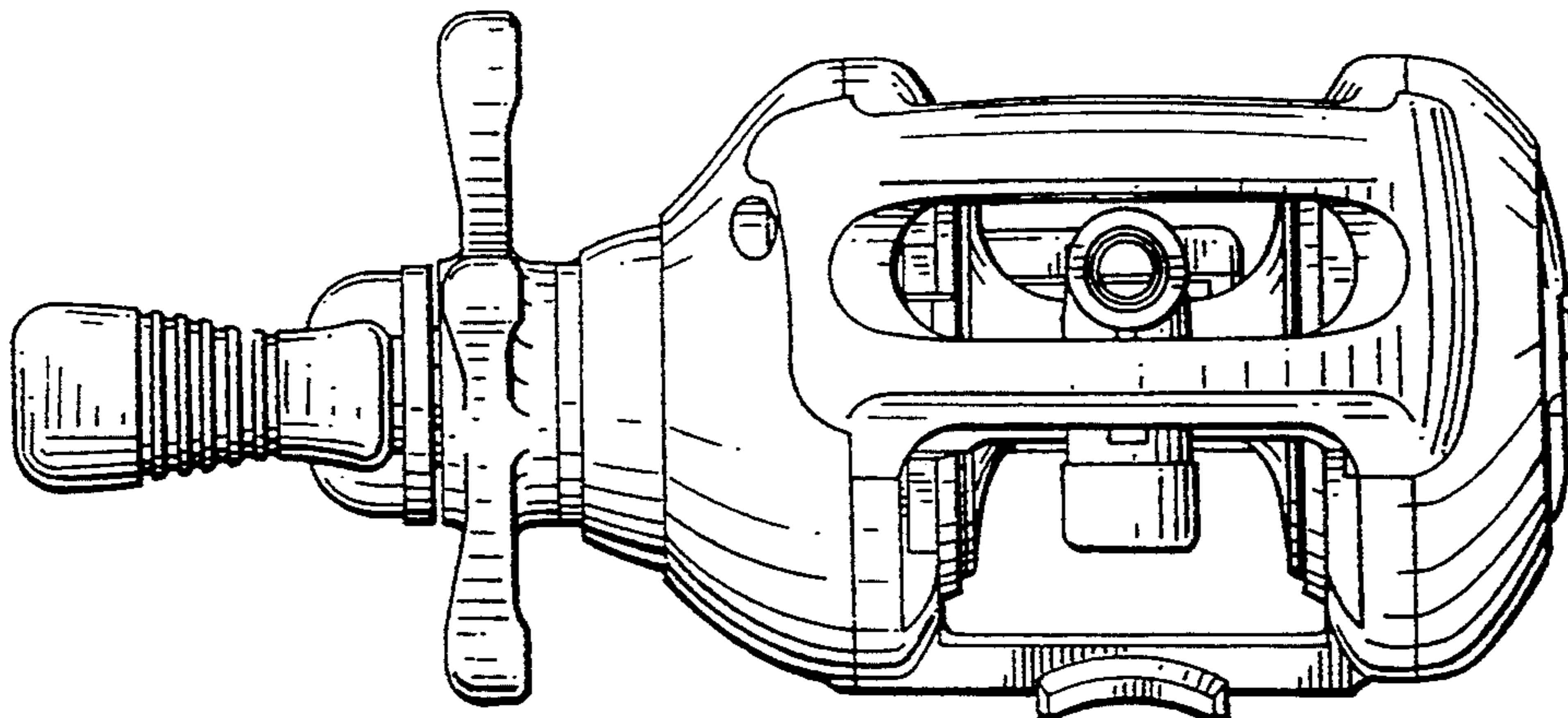
Primary Examiner—A. Hugo Word
Assistant Examiner—Doris V. Coles
Attorney, Agent, or Firm—Shapiro & Morin Dickstein

[57] **CLAIM**

The ornamental design of a fishing reel, as shown and described.

DESCRIPTION

FIG. 1 is a front view of our fishing reel;
FIG. 2 is a rear view thereof;
FIG. 3 is a left side view thereof;
FIG. 4 is a right side view thereof;
FIG. 5 is a plan view thereof; and,
FIG. 6 is a bottom view thereof.



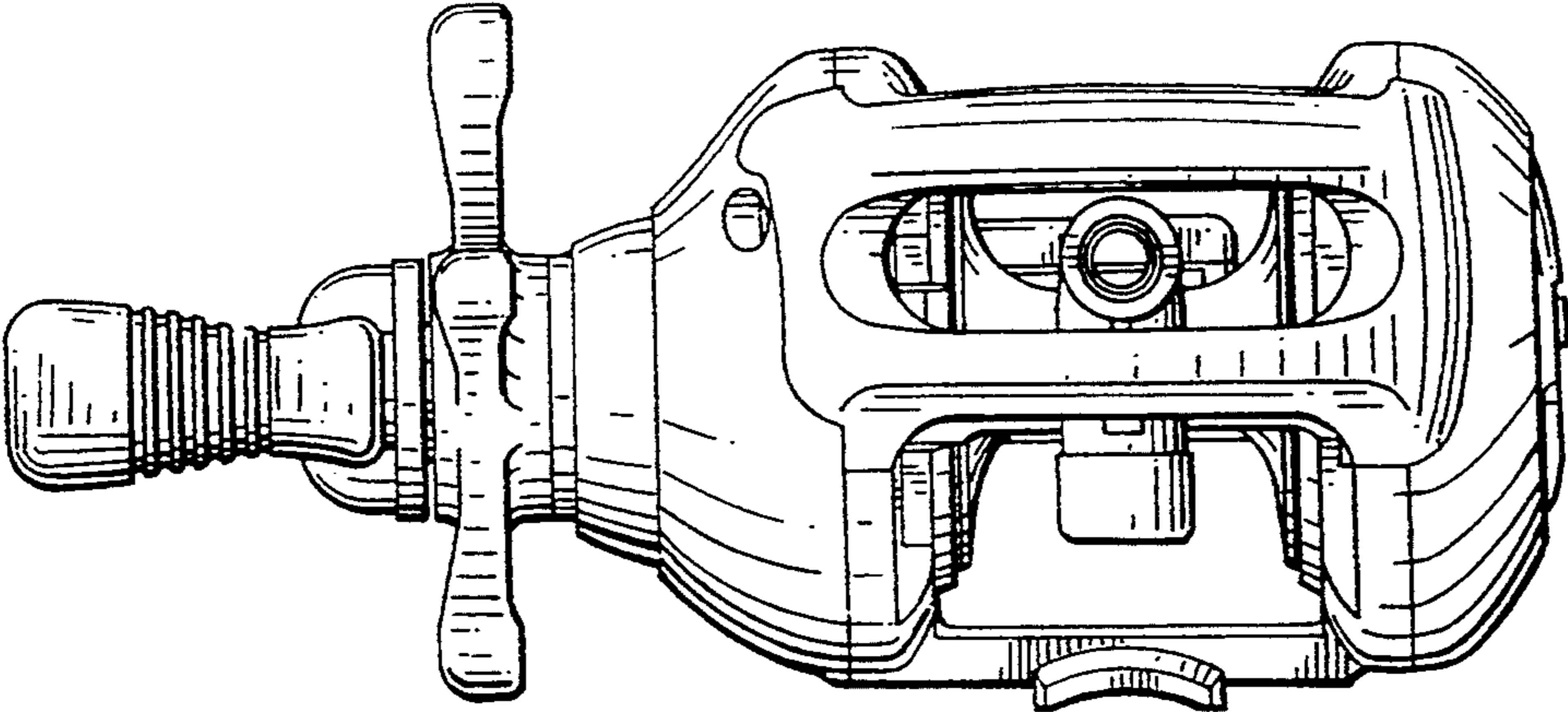


FIG. 1

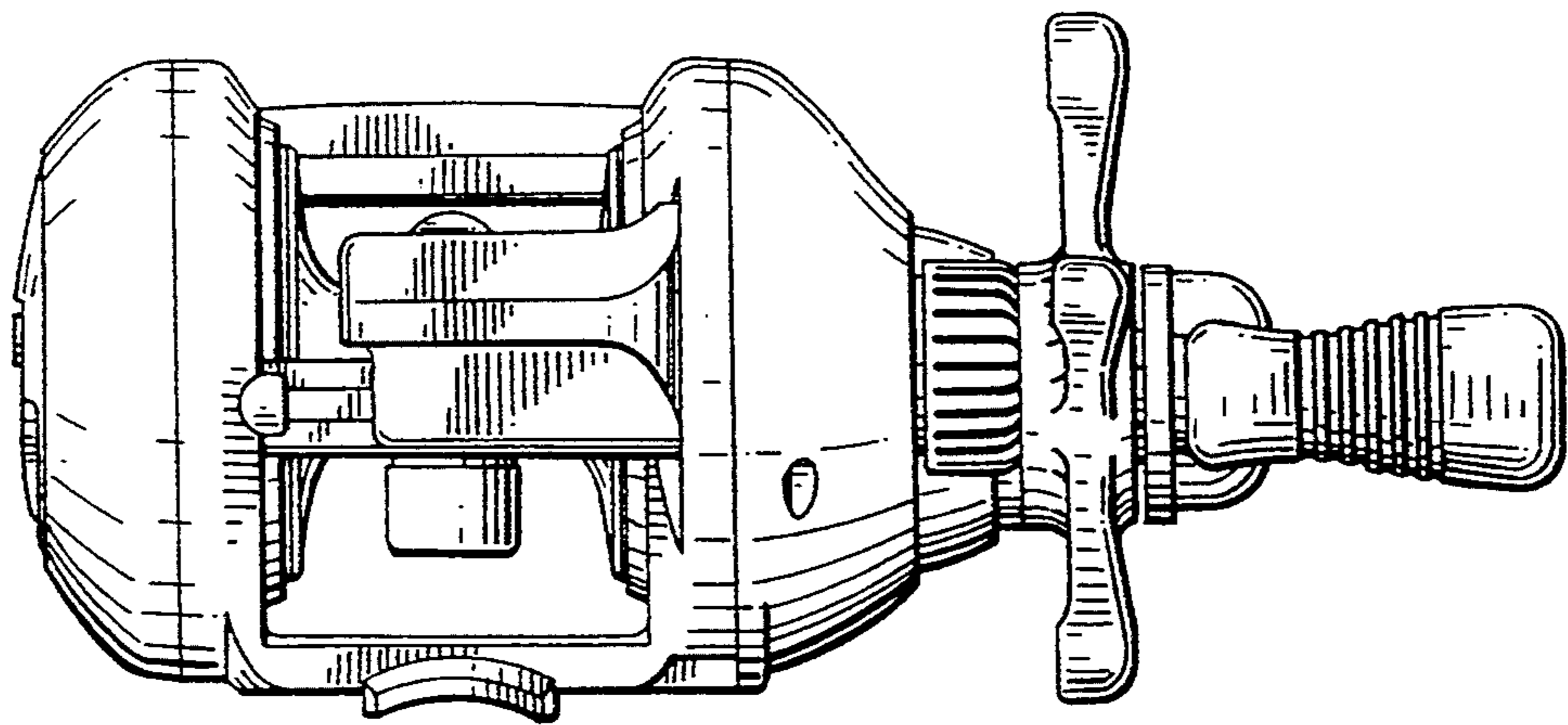


FIG. 2

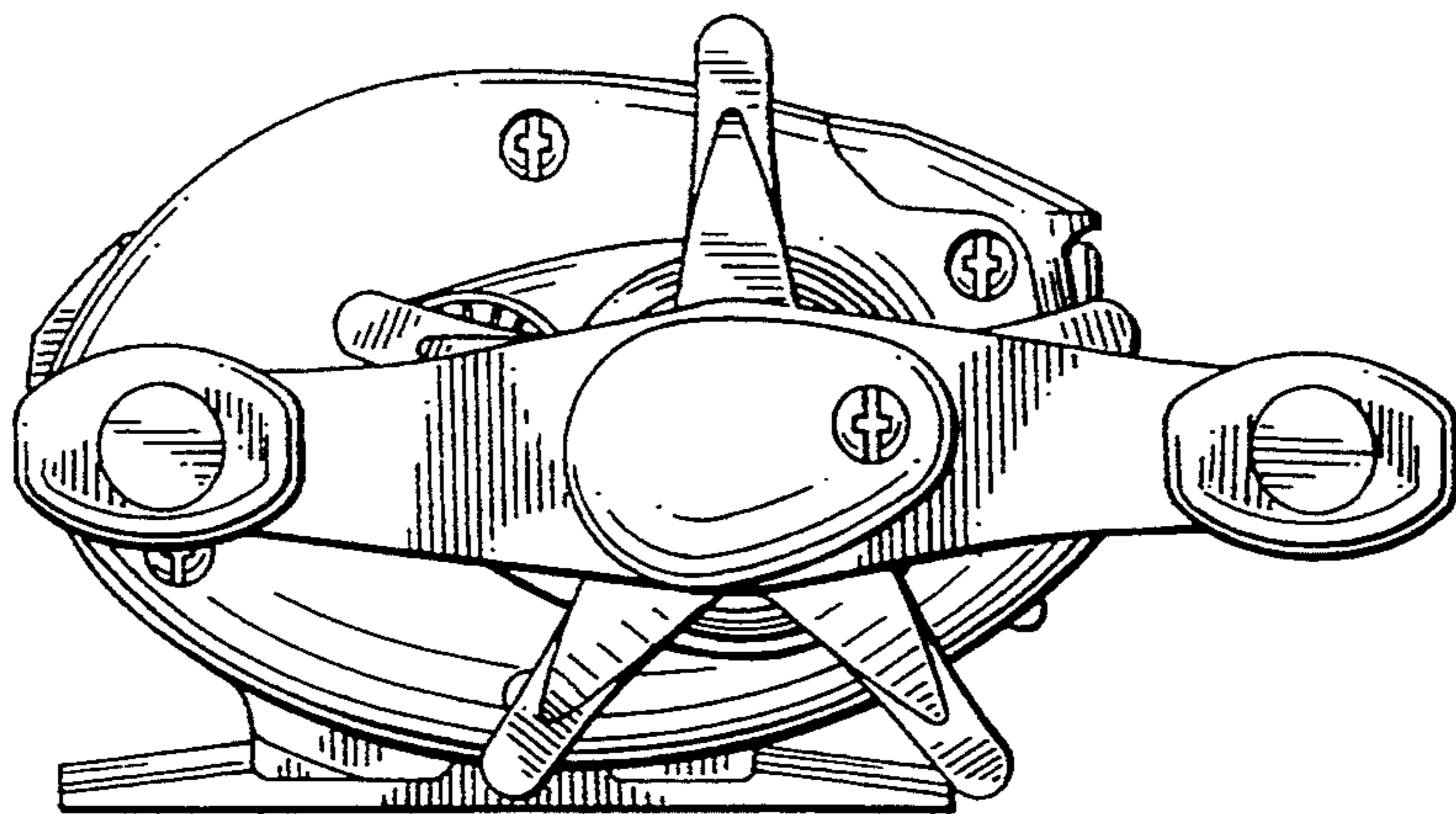


FIG. 3

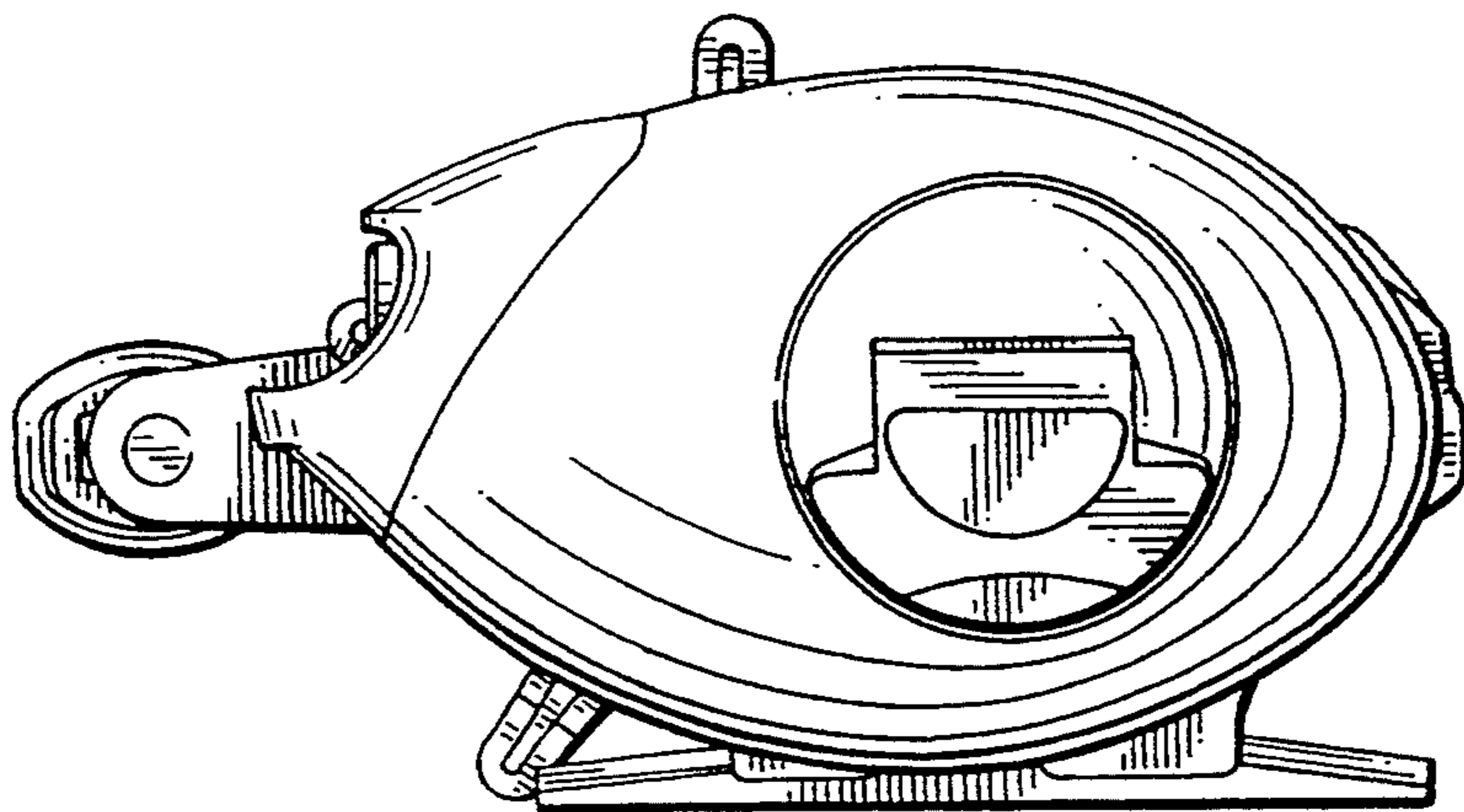


FIG. 4

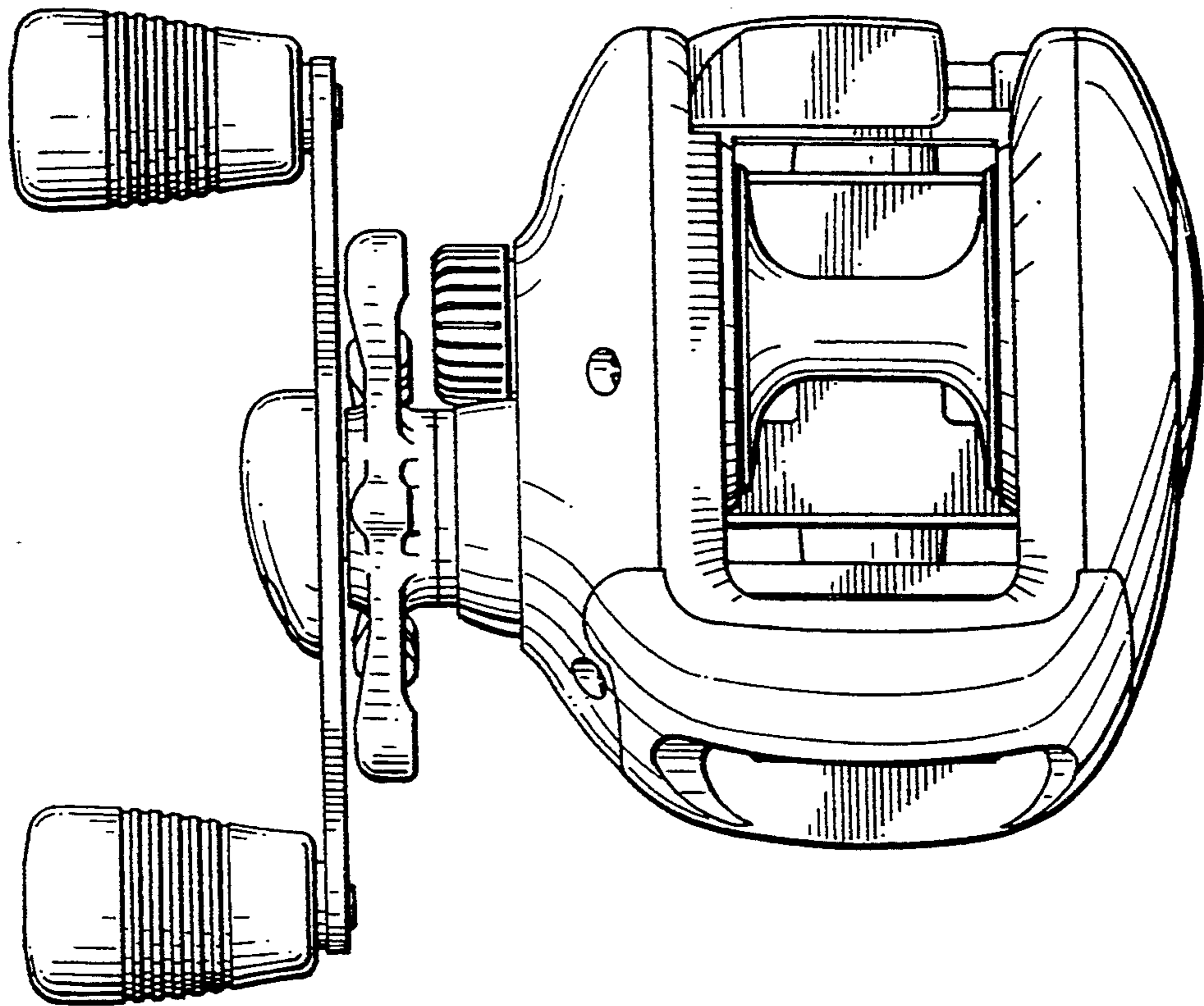


FIG. 5

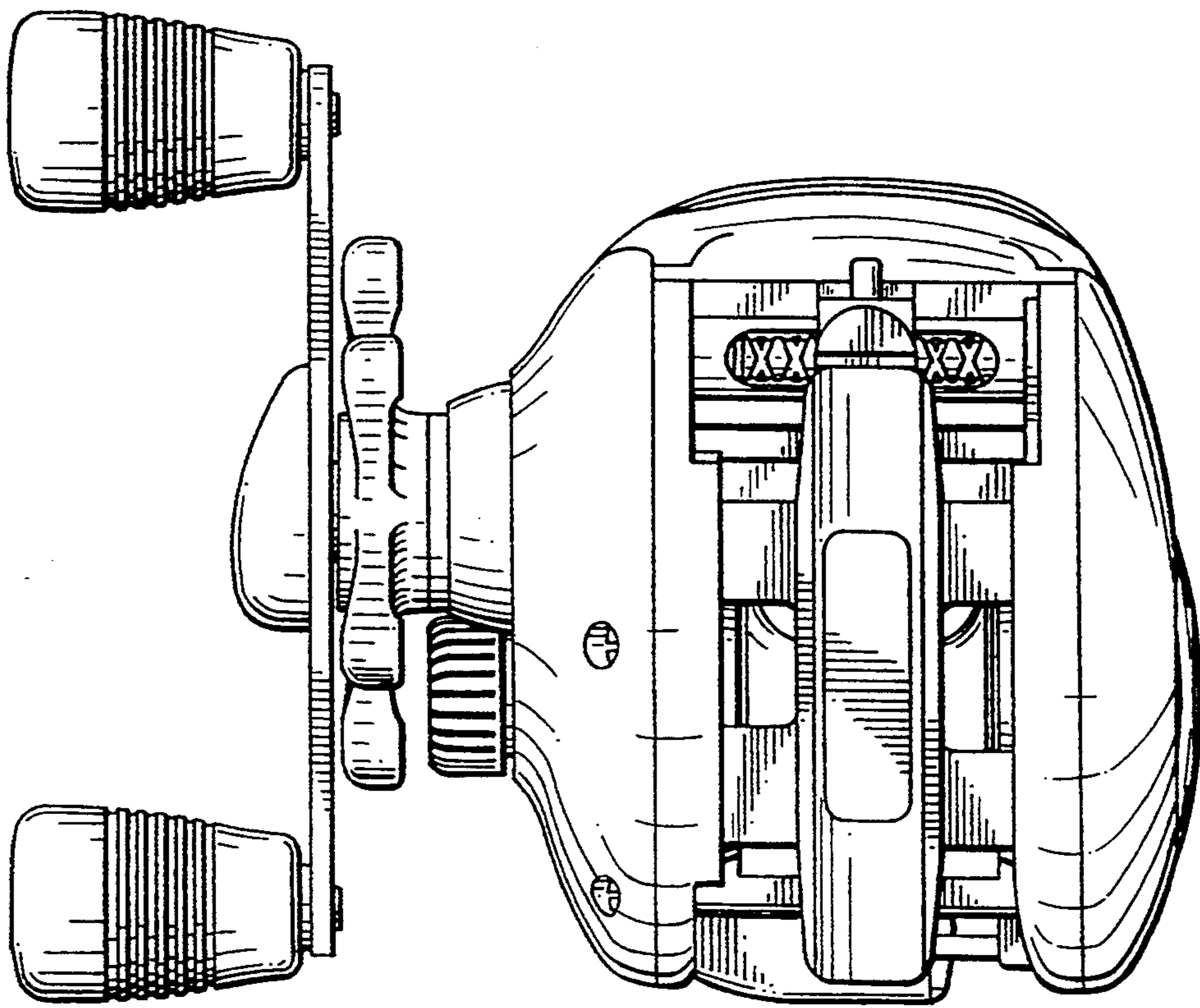


FIG. 6