



US00D356136S

United States Patent [19]

Davis, Jr.

[11] Patent Number: **Des. 356,136**

[45] Date of Patent: **** Mar. 7, 1995**

[54] **AQUATIC WHEELCHAIR**

[76] Inventor: **Frederick B. Davis, Jr.**, 2305 Batten Rd., Brooksville, Fla. 34601

[**] Term: **14 Years**

[21] Appl. No.: **5,465**

[22] Filed: **Feb. 23, 1993**

[52] U.S. Cl. **D21/236; D12/131**

[58] Field of Search **D21/236, 237; D12/128, D12/131; 114/61, 270**

4,700,648 10/1987 Trefethern et al. 114/61
4,768,454 9/1988 Selken 114/61

FOREIGN PATENT DOCUMENTS

743630 1/1933 France .

Primary Examiner—Kay H. Chin
Attorney, Agent, or Firm—Brady, O'Boyle & Gates

[57] **CLAIM**

The ornamental design for an aquatic wheelchair, as shown and described.

DESCRIPTION

FIG. 1 is a top plan view of an aquatic wheelchair, showing my new design;

FIG. 2 is a bottom plan view thereof;

FIG. 3 is a side elevational view thereof, the opposite side being a mirror image thereof;

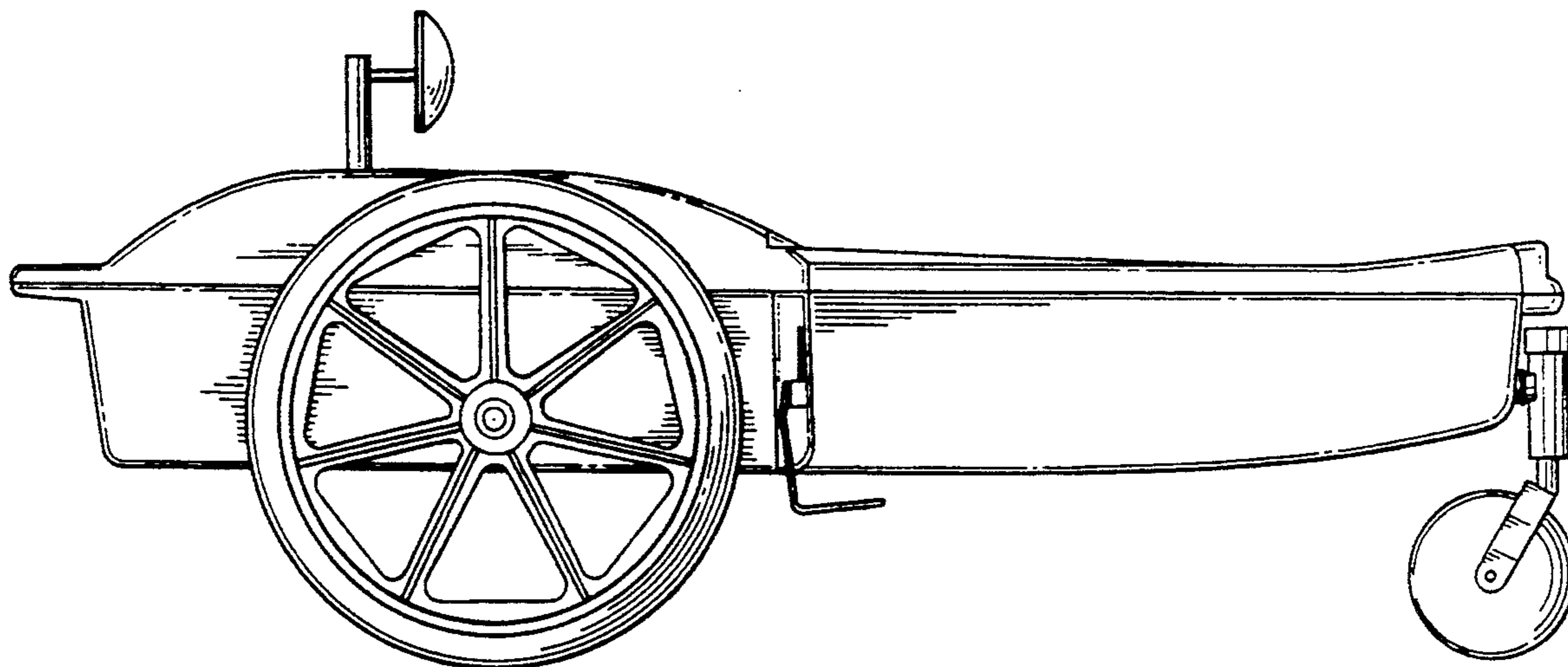
FIG. 4 is a front elevational view thereof; and,

FIG. 5 is a rear elevational view thereof.

[56] **References Cited**

U.S. PATENT DOCUMENTS

2,960,056	11/1960	Puccinelli	114/270
2,998,798	9/1961	Love	115/23
3,102,280	9/1963	Williams	9/348
4,311,108	1/1982	Horton	114/61
4,500,297	2/1985	Boulva	440/27



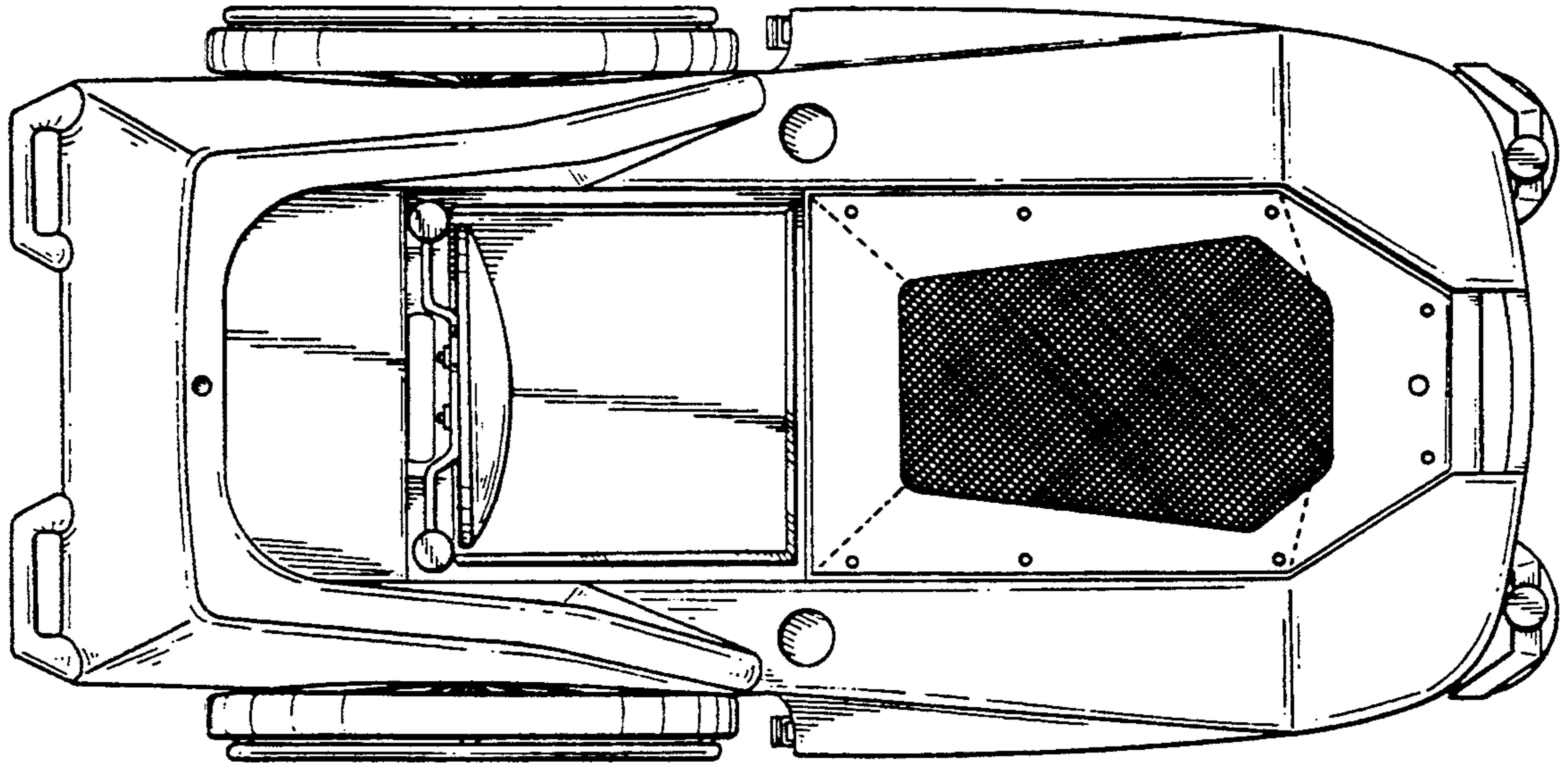


FIG. 1

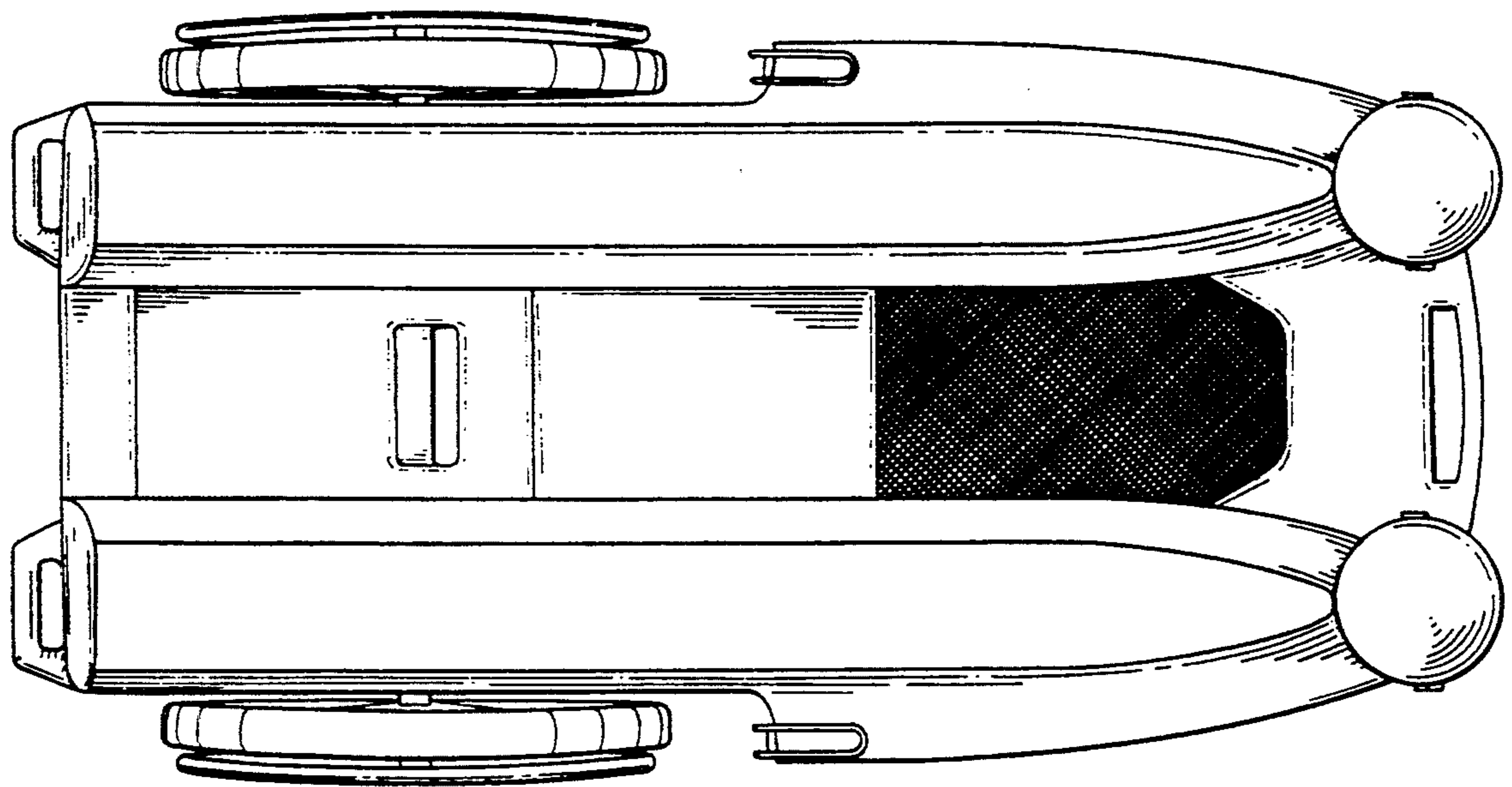


FIG. 2

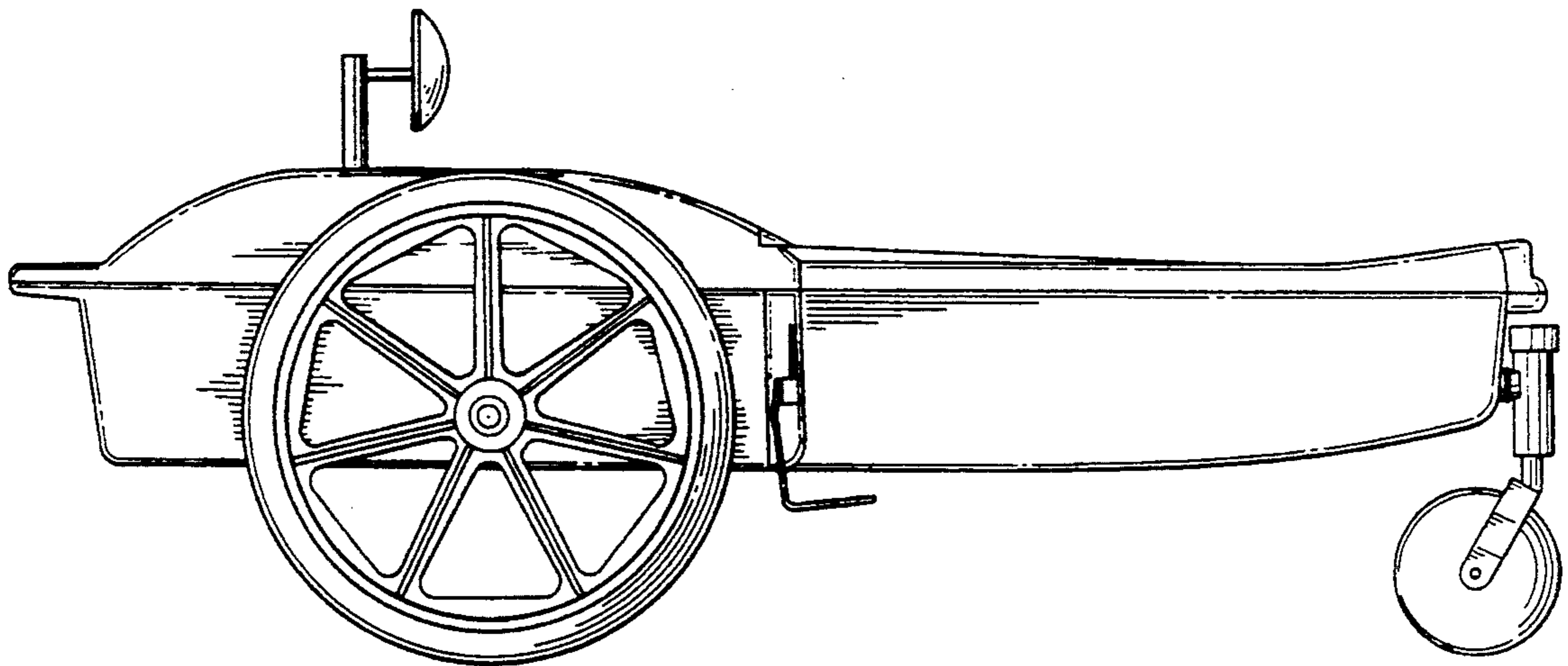


FIG. 3

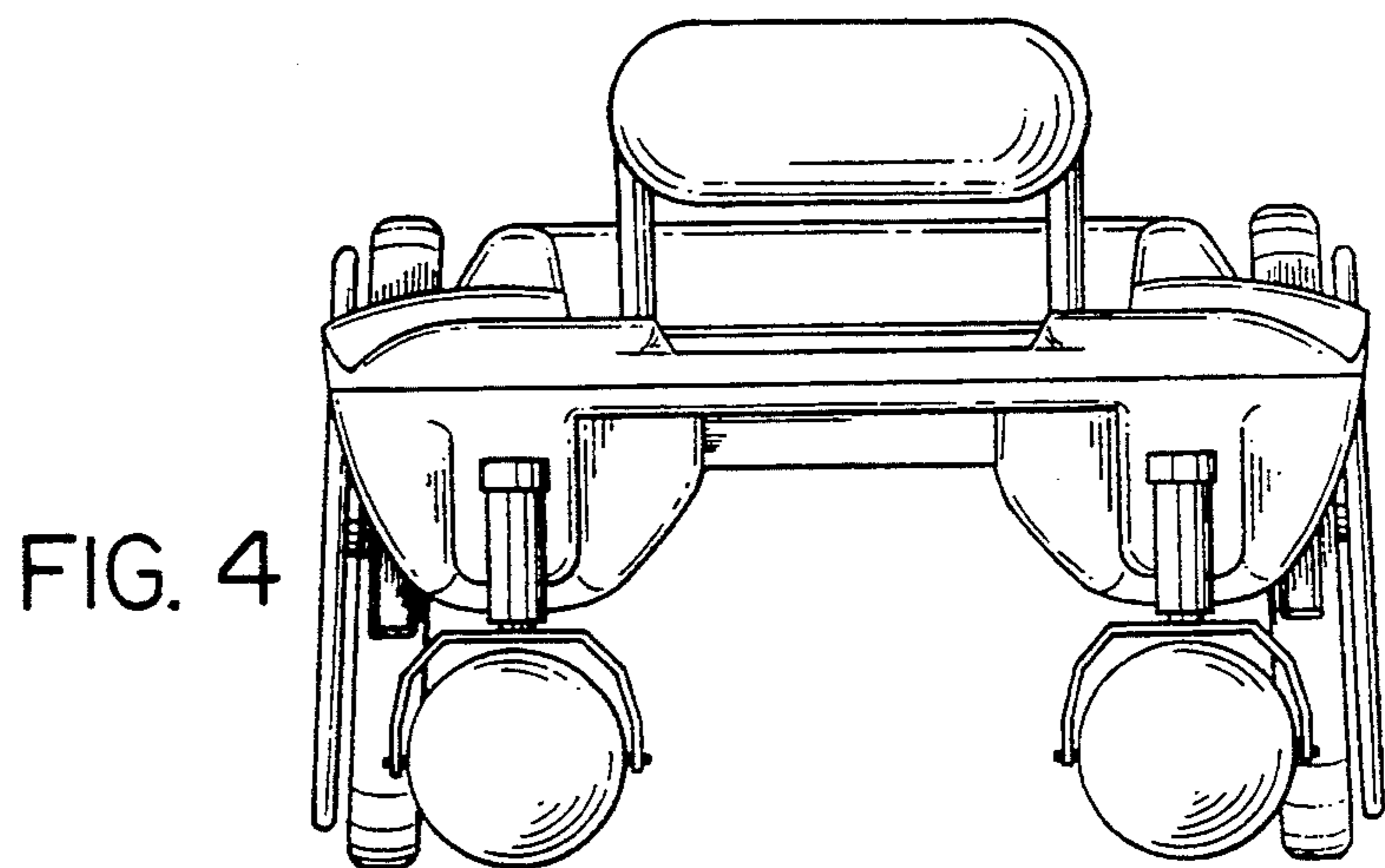


FIG. 4

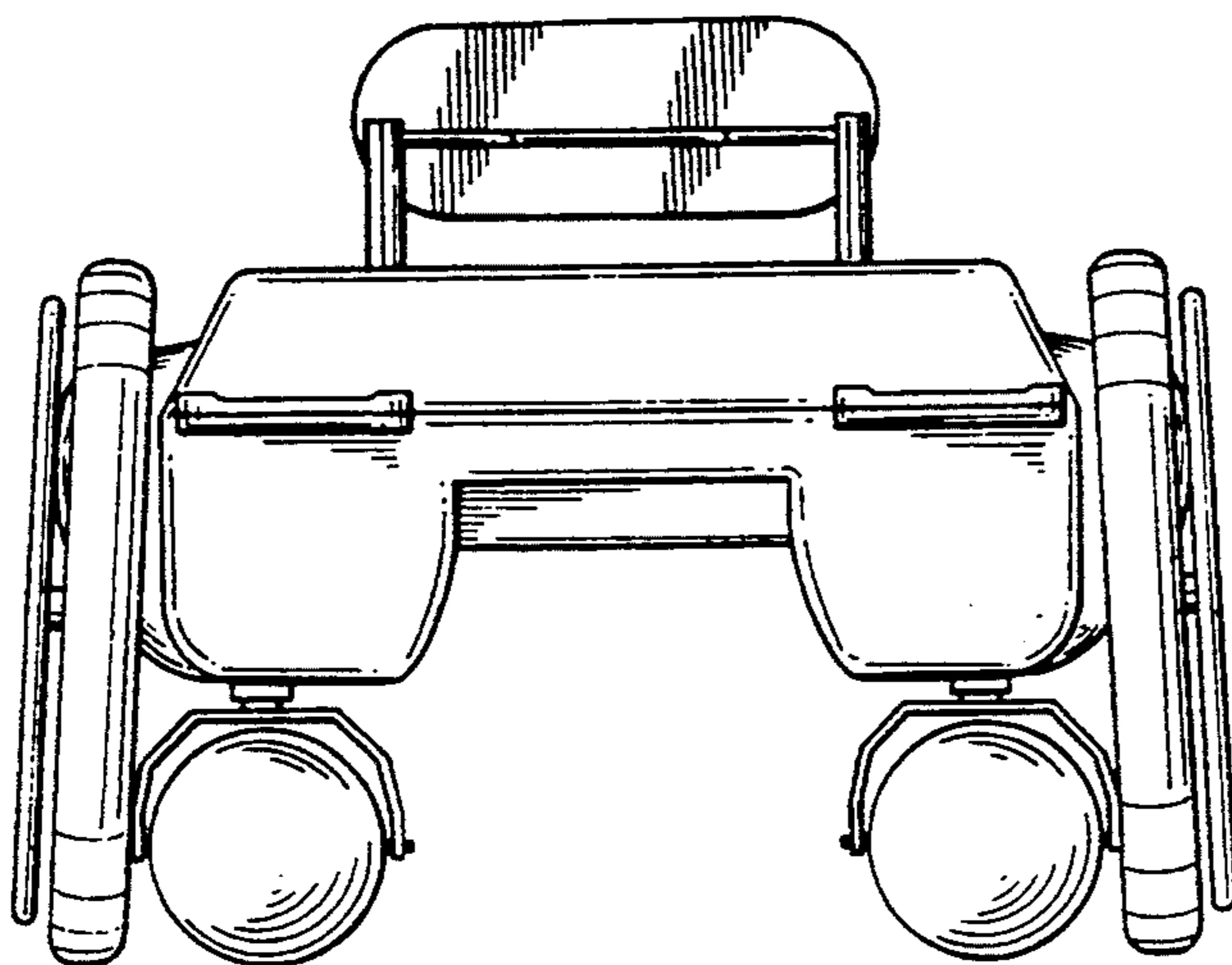


FIG. 5