



US00D356135S

United States Patent [19]

[11] Patent Number: **Des. 356,135**

Slusher

[45] Date of Patent: **** Mar. 7, 1995**

[54] **GOLF SWING TRAINING AID**

[76] Inventor: **John Slusher**, 52 Flores Del Norte,
Fort Pierce, Fla. 34951

[**] Term: **14 Years**

[21] Appl. No.: **17,800**

[22] Filed: **Jan. 24, 1994**

[52] U.S. Cl. **D21/234**

[58] Field of Search **D21/234; 273/80 C, 81 D,**
273/81 R, 81.3, 163 A, 164.1, 186.1, 186.2, 191
R, 194 R, 194 B, 193 A

4,819,944 4/1989 Doane 273/193 A
 4,880,240 11/1989 Lewis .
 5,037,103 8/1991 Williams et al. .
 5,121,925 6/1992 Blundo 273/193 A
 5,209,475 5/1993 Loman 273/81 D X

Primary Examiner—Melvin B. Feifer
Assistant Examiner—Cheri Cohen

[57] CLAIM

The ornamental design for the golf swing training aid,
as shown and described.

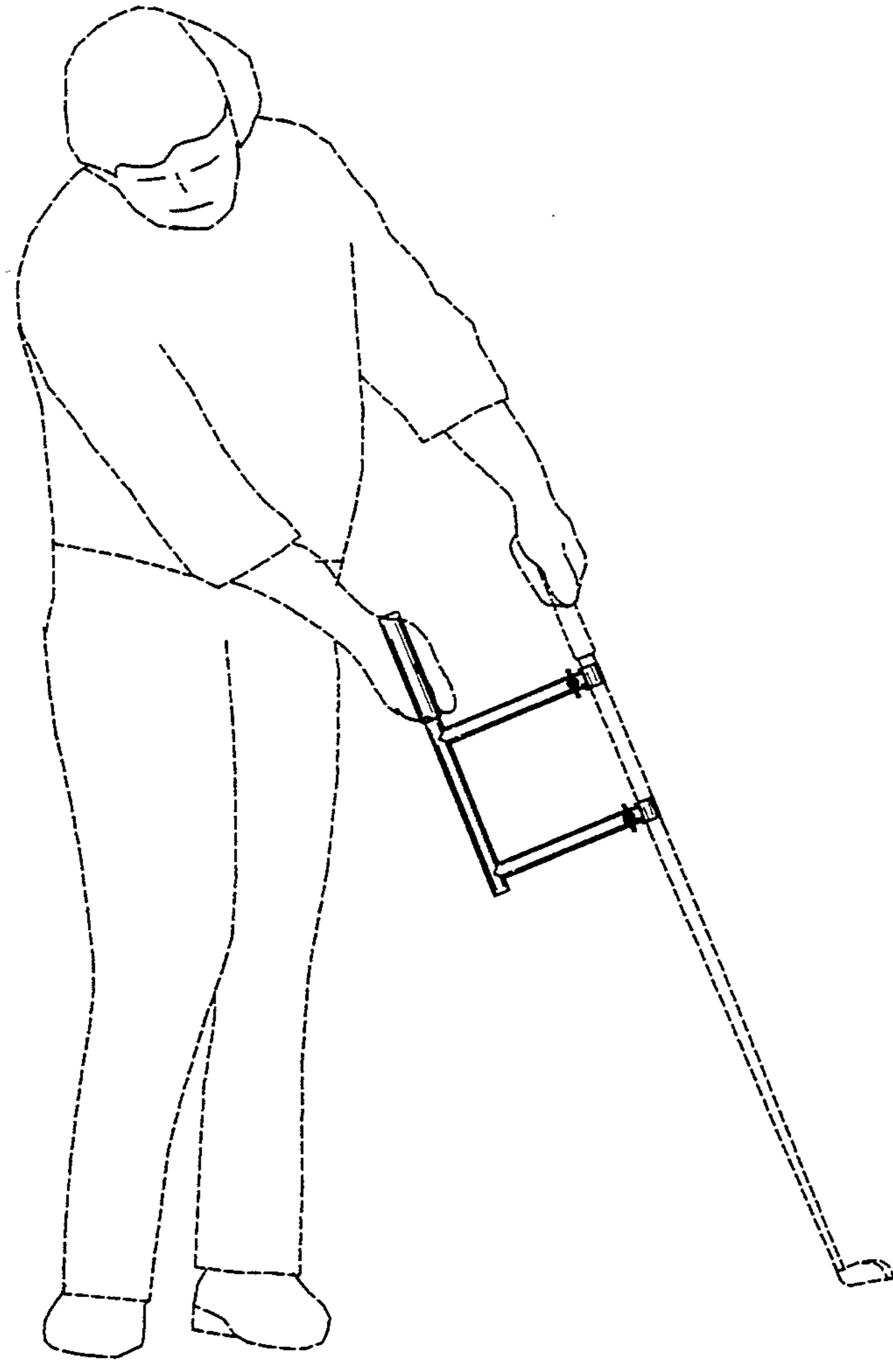
DESCRIPTION

FIG. 1 is a front elevational view of the golf swing training aid showing my new design;
 FIG. 2 is a rear elevational view thereof;
 FIG. 3 is a left side elevational view thereof;
 FIG. 4 is a right side elevational view thereof;
 FIG. 5 is a top plan view thereof;
 FIG. 6 is a bottom plan view thereof; and,
 FIG. 7 is a perspective view showing a use thereof, the broken line showing of the person and golf club are for illustrative purposes only and form no part of the claimed design.

[56] **References Cited**

U.S. PATENT DOCUMENTS

2,218,943 10/1940 Whitney 273/186.2
 2,723,125 11/1955 Comee 273/186.1
 2,938,728 5/1960 Green 273/81 D
 3,448,981 6/1969 Anweiler .
 3,529,826 9/1970 Hulyk .
 4,145,054 3/1979 Stewart 273/194 R X
 4,170,356 10/1979 Banks 273/186.2
 4,215,860 8/1980 Nakamatsu .
 4,754,978 7/1988 Dworacek 273/194 R X



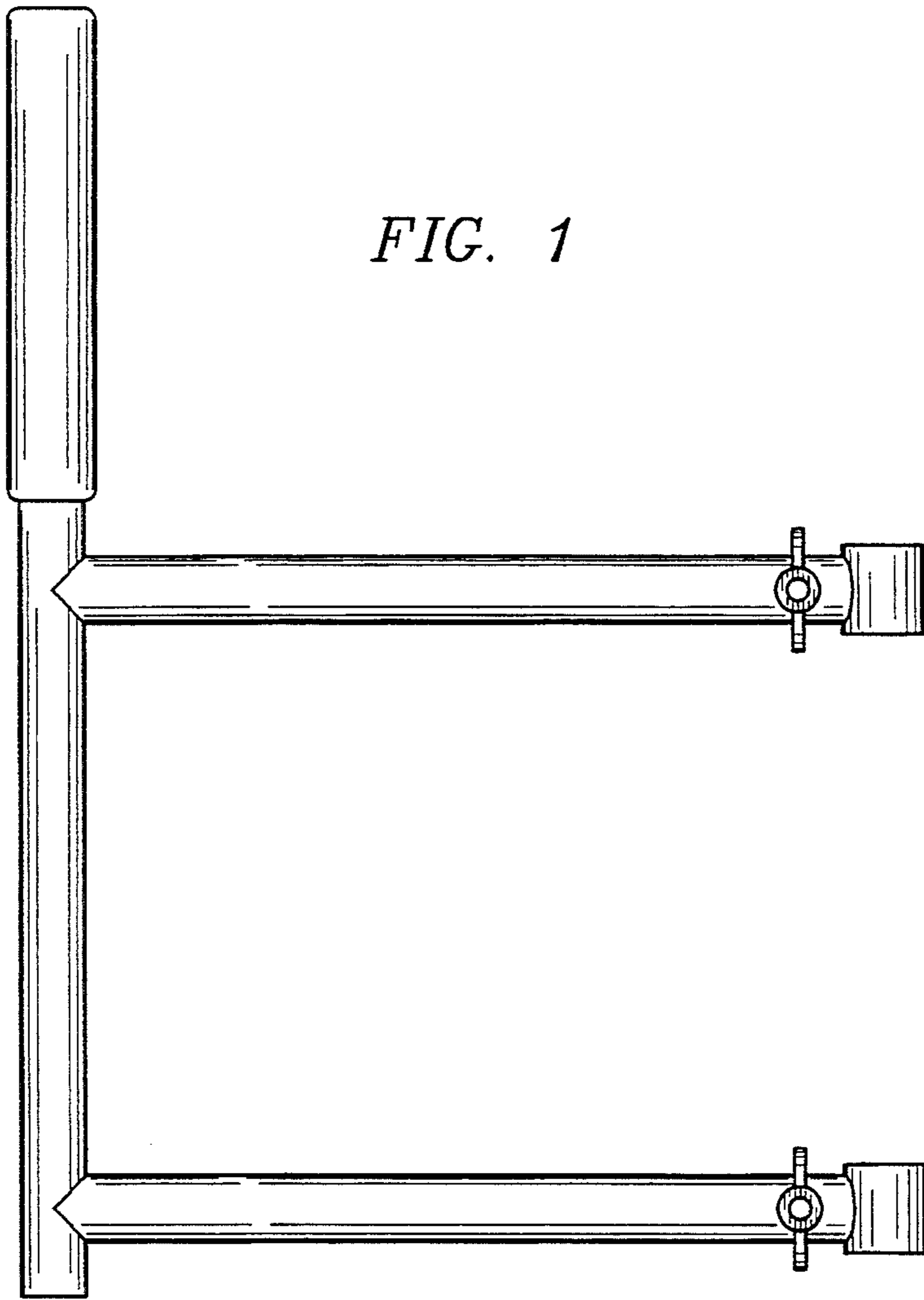


FIG. 1

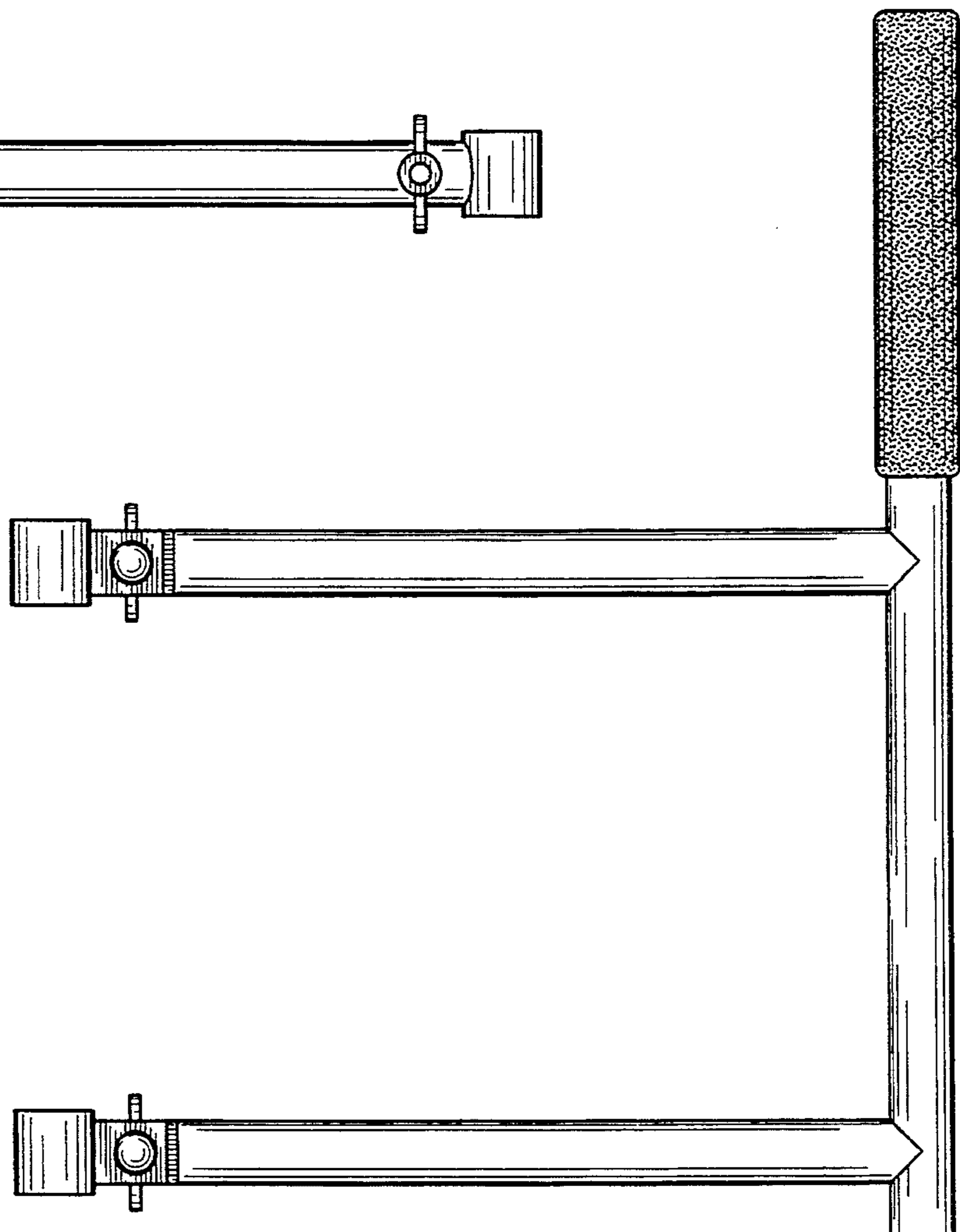


FIG. 2

FIG. 3

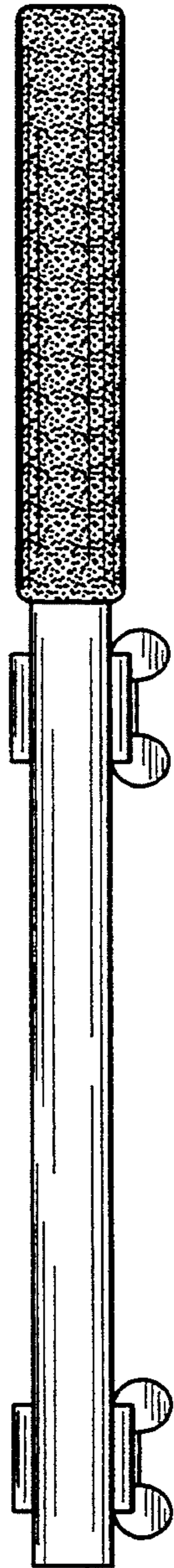


FIG. 4



FIG. 5

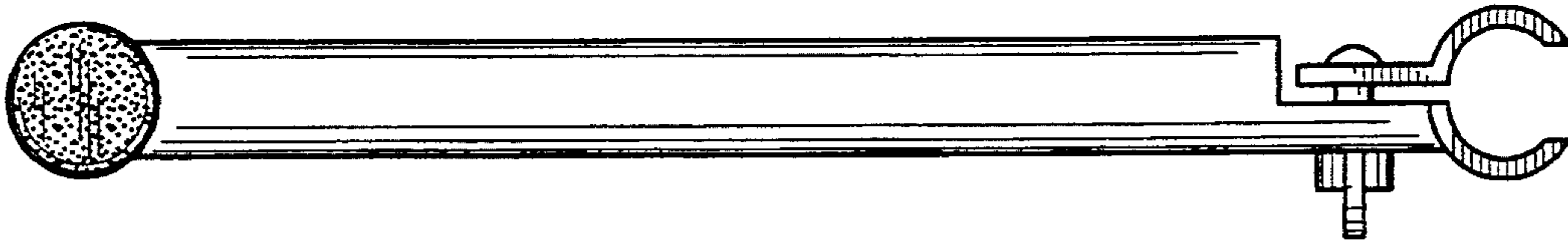


FIG. 6

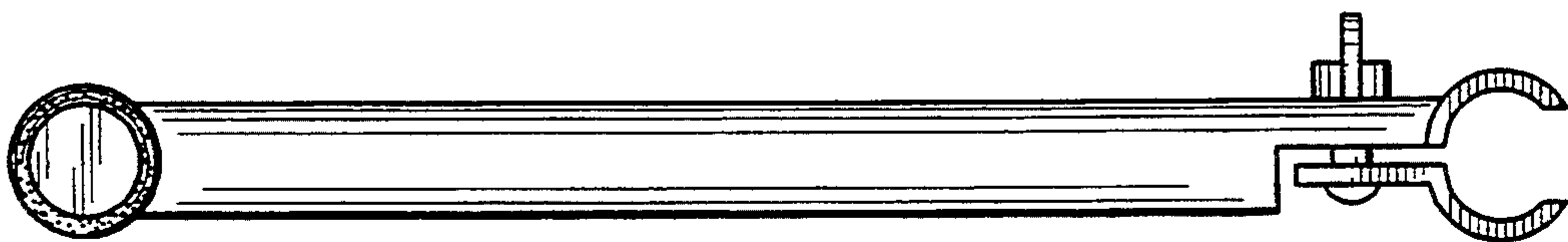


FIG. 7

