



US00D356132S

United States Patent [19]

[11] Patent Number: Des. 356,132

Ackerman

[45] Date of Patent: ** Mar. 7, 1995

[54] GOLF CLUB HEAD

[76] Inventor: William R. Ackerman, 3211
Martindale Rd. NE., Canton, Ohio
44714

[**] Term: 14 Years

[21] Appl. No.: 7,902

[22] Filed: May 4, 1993

[52] U.S. Cl. D21/219

[58] Field of Search D21/214-220;
273/164.1, 167-175

[56] **References Cited**

U.S. PATENT DOCUMENTS

D. 315,005 2/1991 Solheim D21/219

OTHER PUBLICATIONS

Golf Magazine, May, 1987, p. 33, lower left, putter.
Ping by Karsten Mfg. Co., brochure, 1971, p. 2, middle
left, Karsten-2 putter.

Catalog; Lynx Golf, Inc.; pp. 4, 5, 8, 9, 11, 13-15 and
cover; 1991.

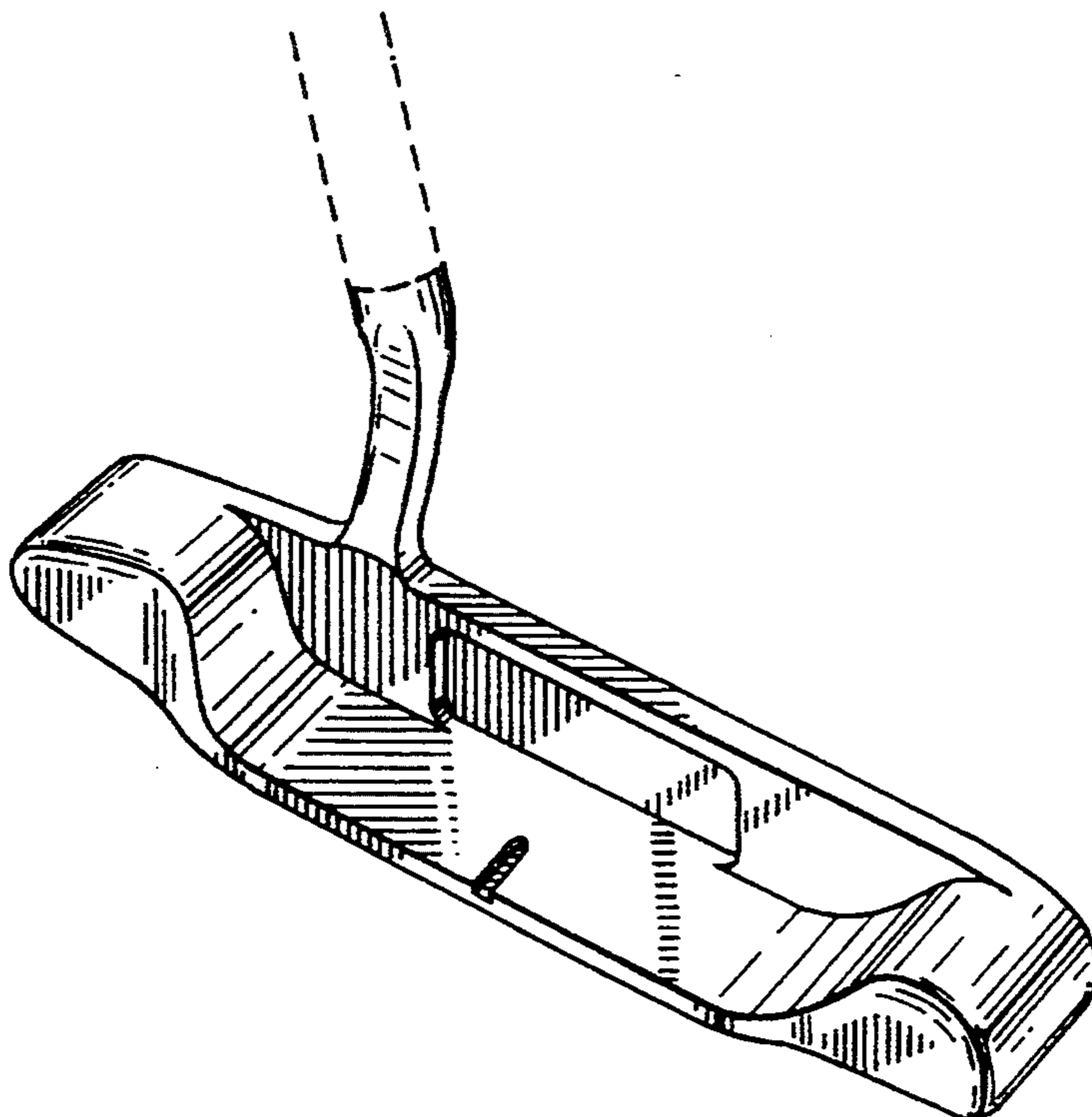
Primary Examiner—Melvin B. Feifer
Attorney, Agent, or Firm—Renner, Kenner, Grieve,
Bobak, Taylor & Weber

[57] **CLAIM**

The ornamental design for golf club head, as shown and
described.

DESCRIPTION

FIG. 1 is a perspective view of a golf club head em-
bodying the ornamental concepts of my new design,
and showing a section of a golf club shaft in phantom
lines for environmental purposes;
FIG. 2 is a side elevational view thereof;
FIG. 3 is a top plan view thereof;
FIG. 4 is a front elevational view thereof;
FIG. 5 is a side elevational view thereof showing the
side opposite of that shown in FIG. 2;
FIG. 6 is a rear elevational view thereof; and,
FIG. 7 is a bottom plan view thereof.



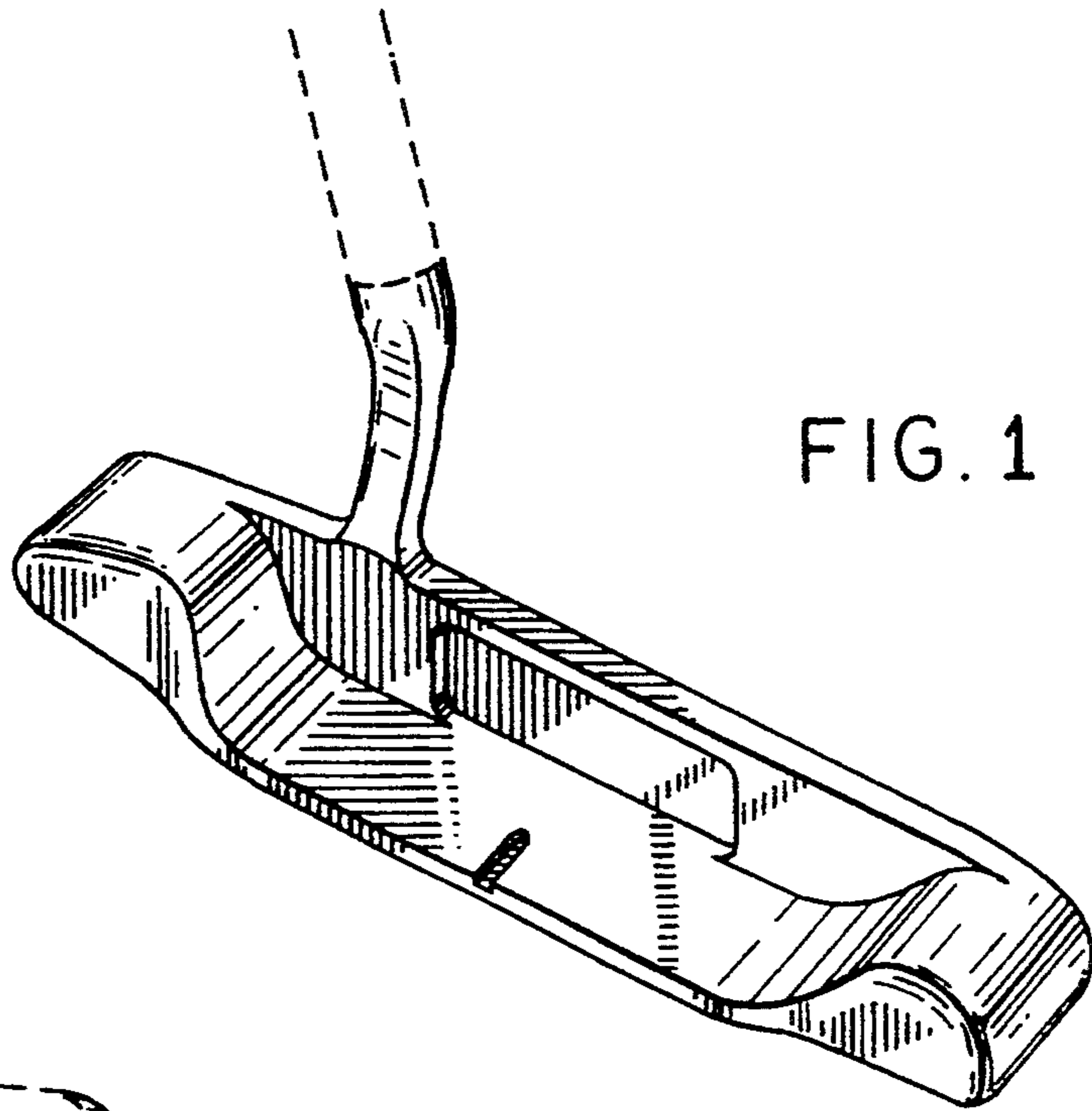


FIG. 1

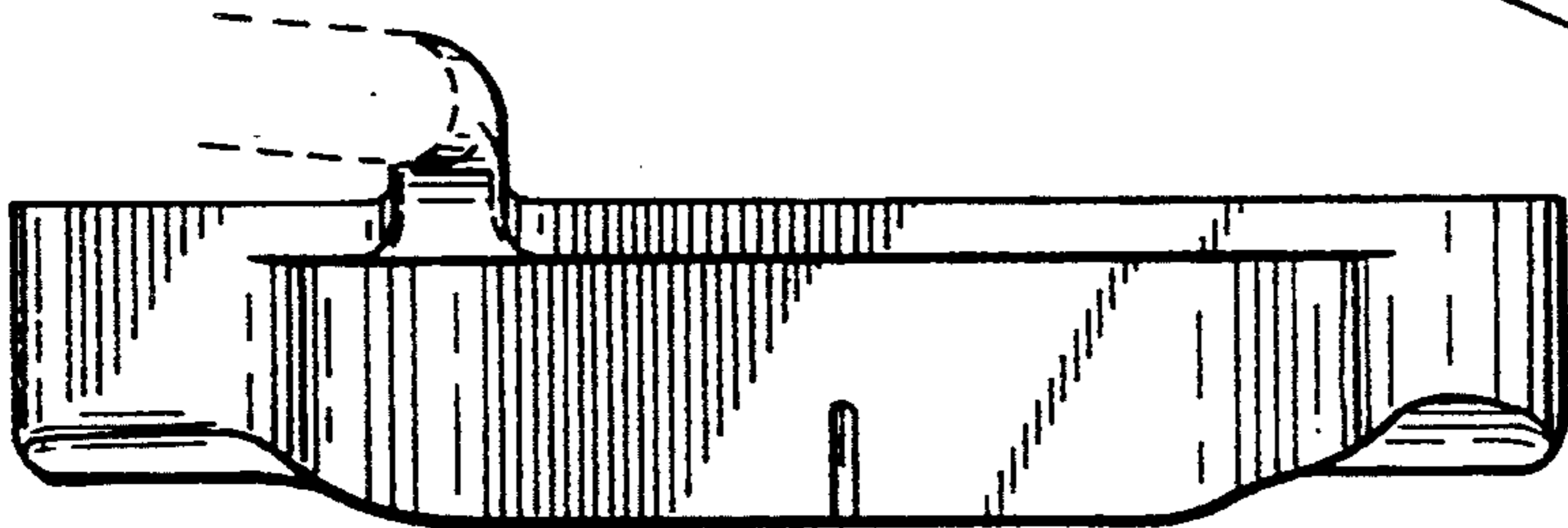


FIG. 3

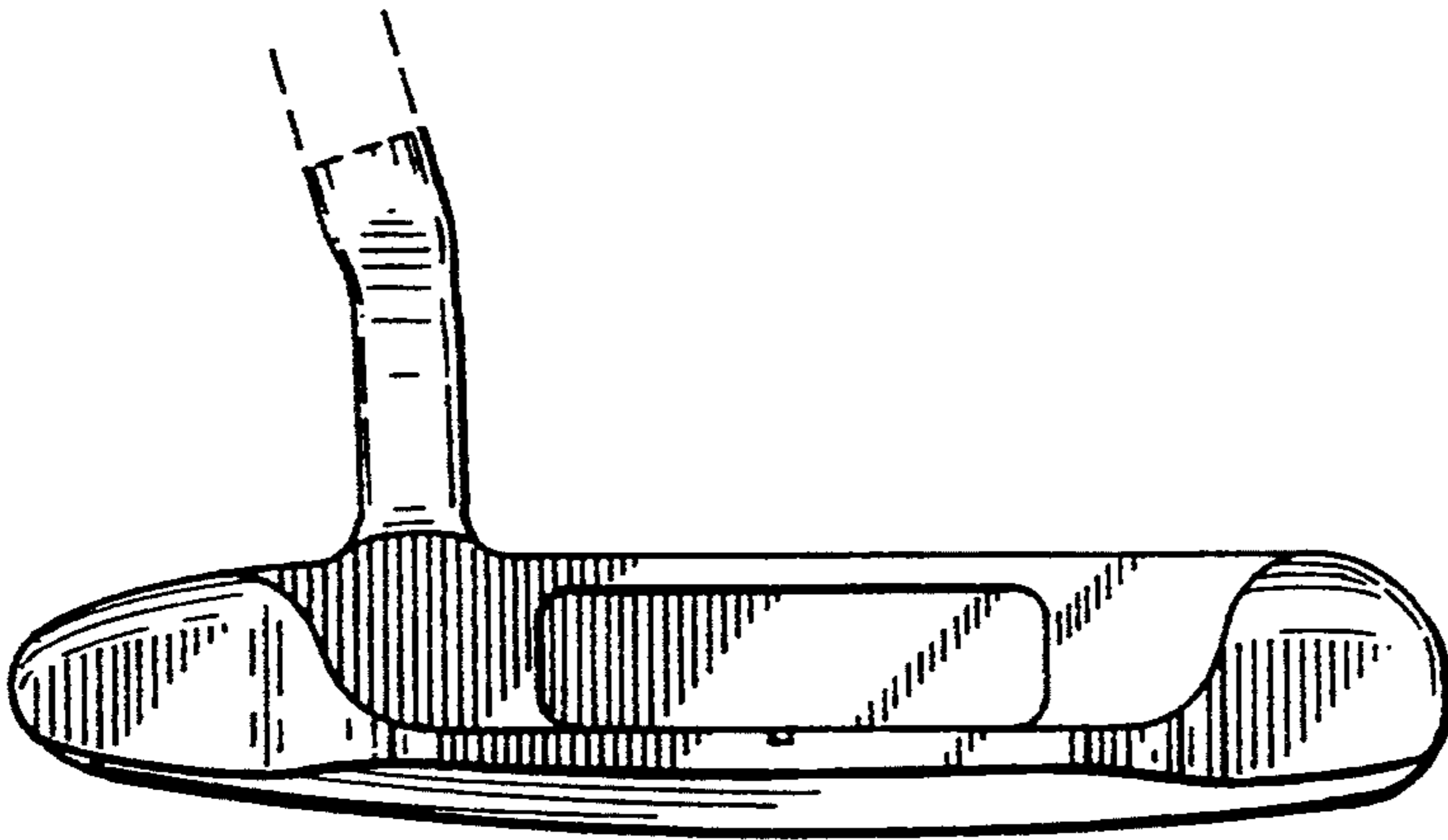


FIG. 2

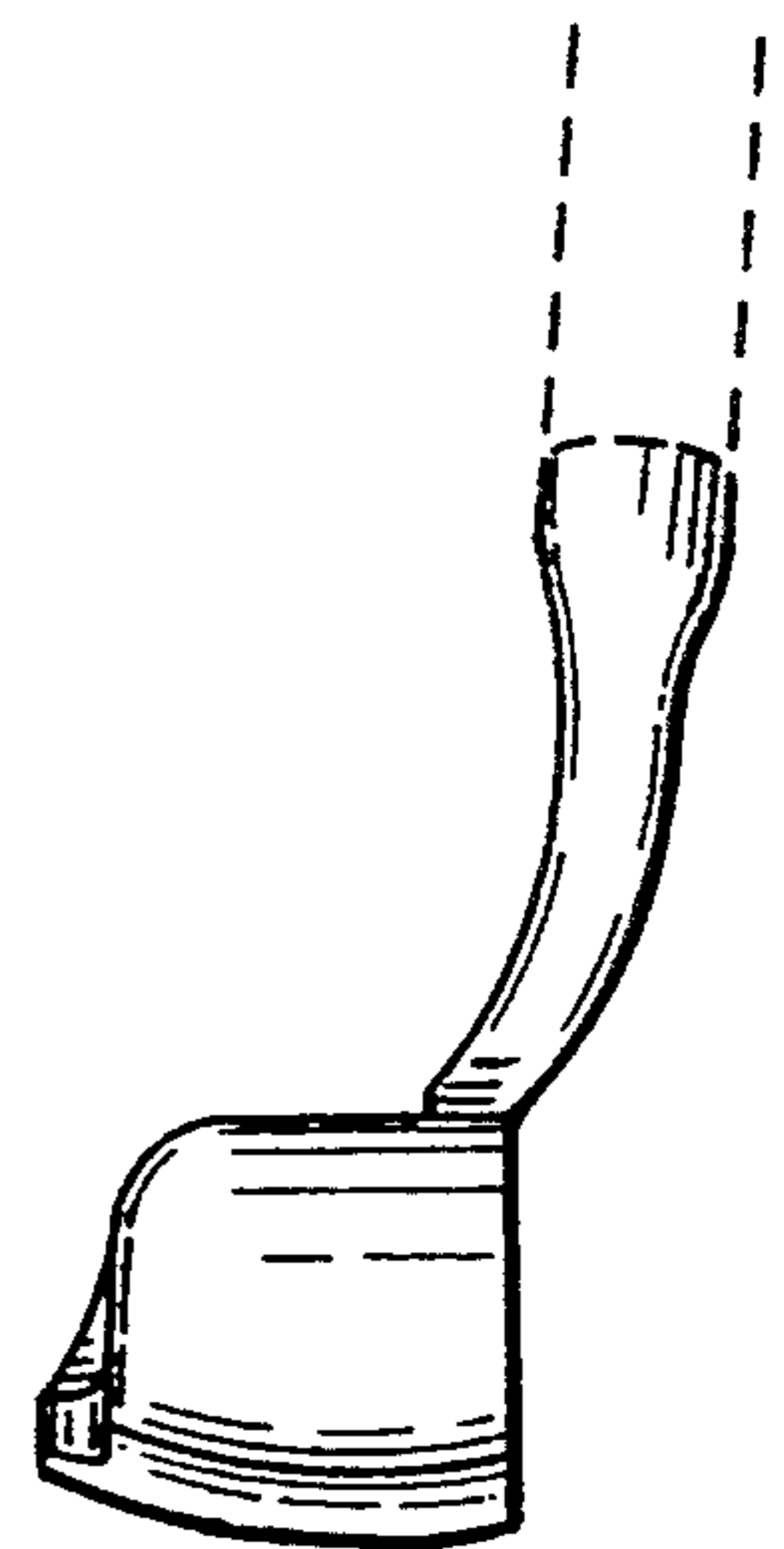


FIG. 4

