



US00D356112S

# United States Patent [19]

[11] Patent Number: **Des. 356,112**

Constantine

[45] Date of Patent: **\*\* Mar. 7, 1995**

[54] **RING BINDER**

5,104,250 4/1992 Pacione ..... 402/75  
5,160,209 11/1992 Schuessler ..... 402/75

[76] Inventor: **Arthur T. Constantine**, 63 Wesskum Wood Rd., Riverside, Conn. 06878

*Primary Examiner*—James M. Gandy  
*Assistant Examiner*—Pamela Burgess  
*Attorney, Agent, or Firm*—Lackenbach Siegel Marzullo Aronson & Greenspan

[\*\*] Term: **14 Years**

[21] Appl. No.: **4,421**

[57] **CLAIM**

[22] Filed: **Feb. 4, 1993**

The ornamental design for a ring binder, as shown and described.

[52] U.S. Cl. .... **D19/32**

[58] Field of Search ..... D19/26, 27, 32; D20/44; 402/75, 76, 56; 281/33, 31, 29

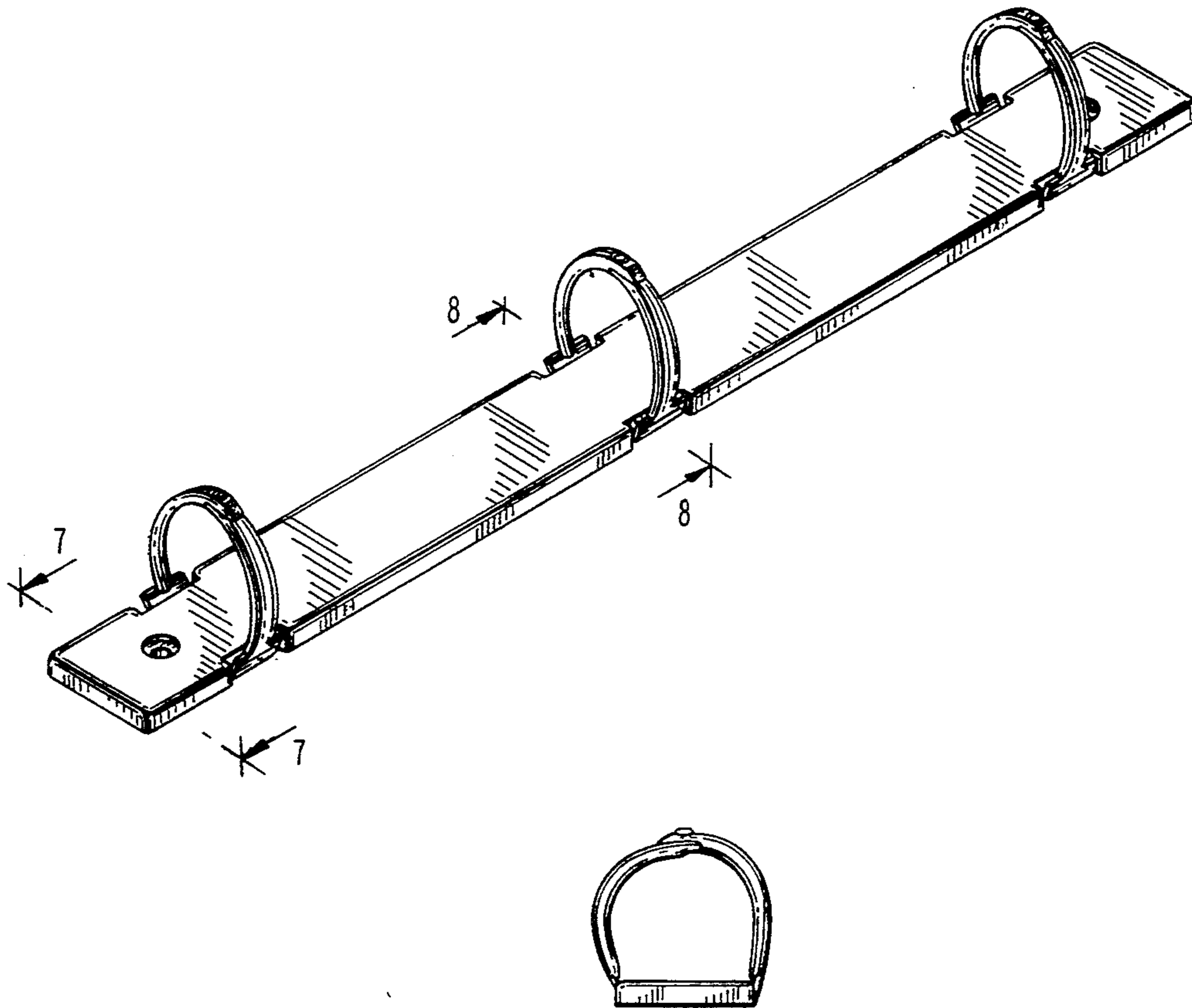
**DESCRIPTION**

[56] **References Cited**

**U.S. PATENT DOCUMENTS**

557,754	4/1896	Baldwin et al. .	
1,895,629	1/1933	Kellog et al. ....	402/75
1,895,972	1/1933	Childs .....	402/75
1,998,977	4/1935	Bidwell .	
2,078,988	5/1937	Amato .....	402/75
2,251,343	8/1941	Spinner .	
2,273,746	2/1942	White .	
2,363,848	11/1944	Emmer .	
2,512,415	6/1950	Buenger et al. ....	402/75
2,715,906	8/1955	Lucchesi .	
2,888,934	6/1959	Segal .....	402/75
3,315,682	4/1967	Bachman .	
3,827,111	8/1974	O'Connell .	
4,582,442	4/1986	Rager .....	402/75
4,629,349	12/1986	Pitts .....	281/314
4,693,624	9/1987	Moosmuller .	
4,792,253	12/1988	Jacobson .	

FIG. 1 is a top perspective view of a ring binder showing my new design;  
 FIG. 2 is a top plan view thereof;  
 FIG. 3 is a front elevational view thereof;  
 FIG. 4 is an end elevational view thereof the undisclosed end being a mirror image;  
 FIG. 5 is a rear elevational view thereof;  
 FIG. 6 is a bottom plan view thereof;  
 FIG. 7 is a cross-sectional view taken along line 7—7 of FIG. 1;  
 FIG. 8 is a cross-sectional view taken along line 8—8 of FIG. 1;  
 FIG. 9 is a top perspective view of a second embodiment of initial FIG. 1, it being understood that the only difference resides in the specific shape of the ring element; and,  
 FIG. 10 is an end elevational view thereof the undisclosed end being a mirror image.



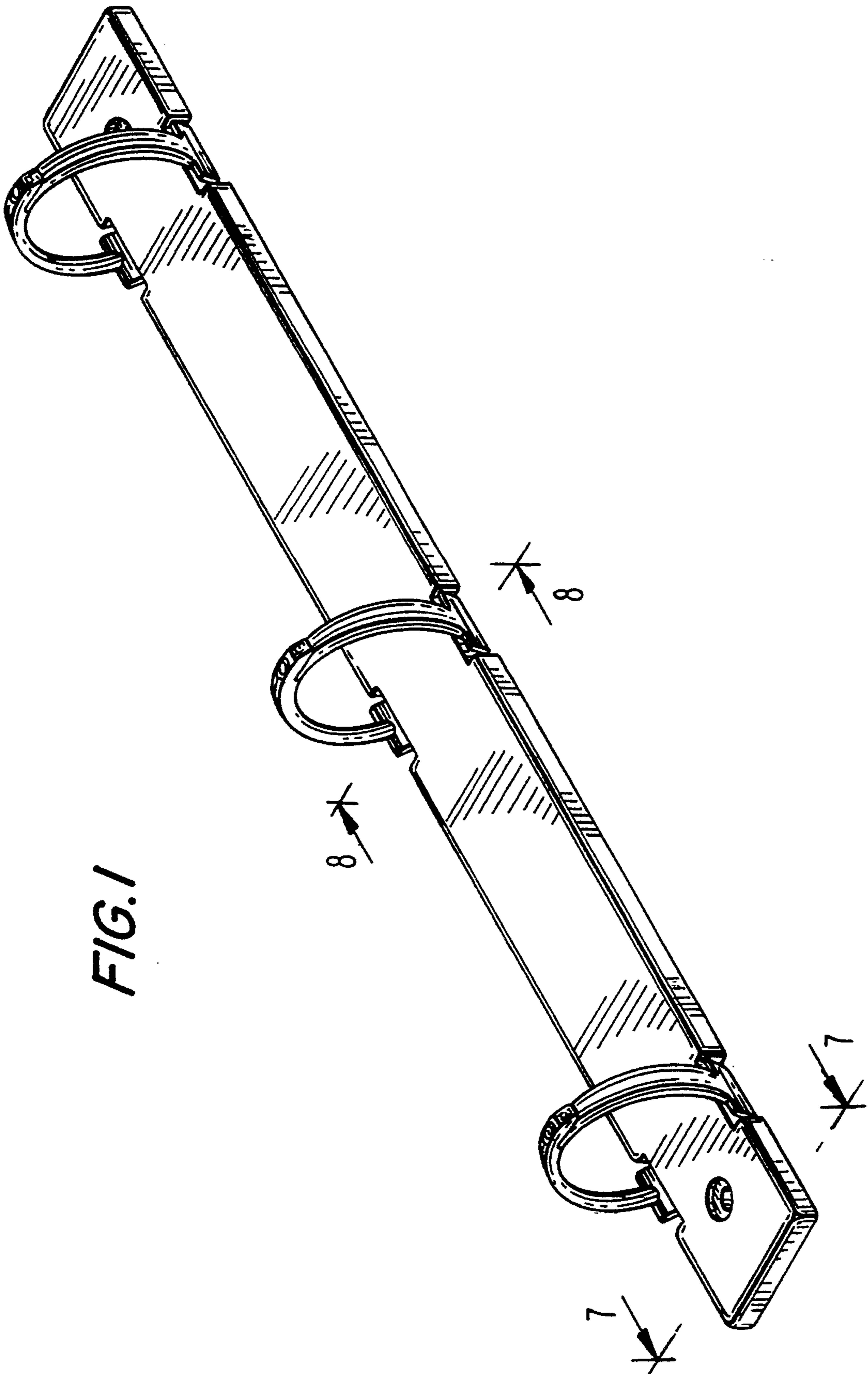


FIG. 1

FIG. 2

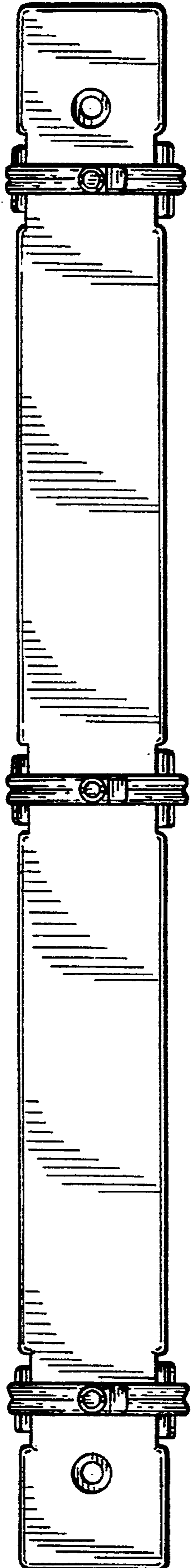
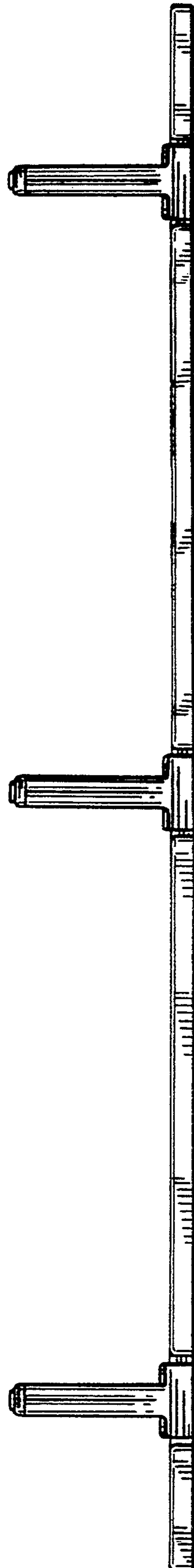


FIG. 3



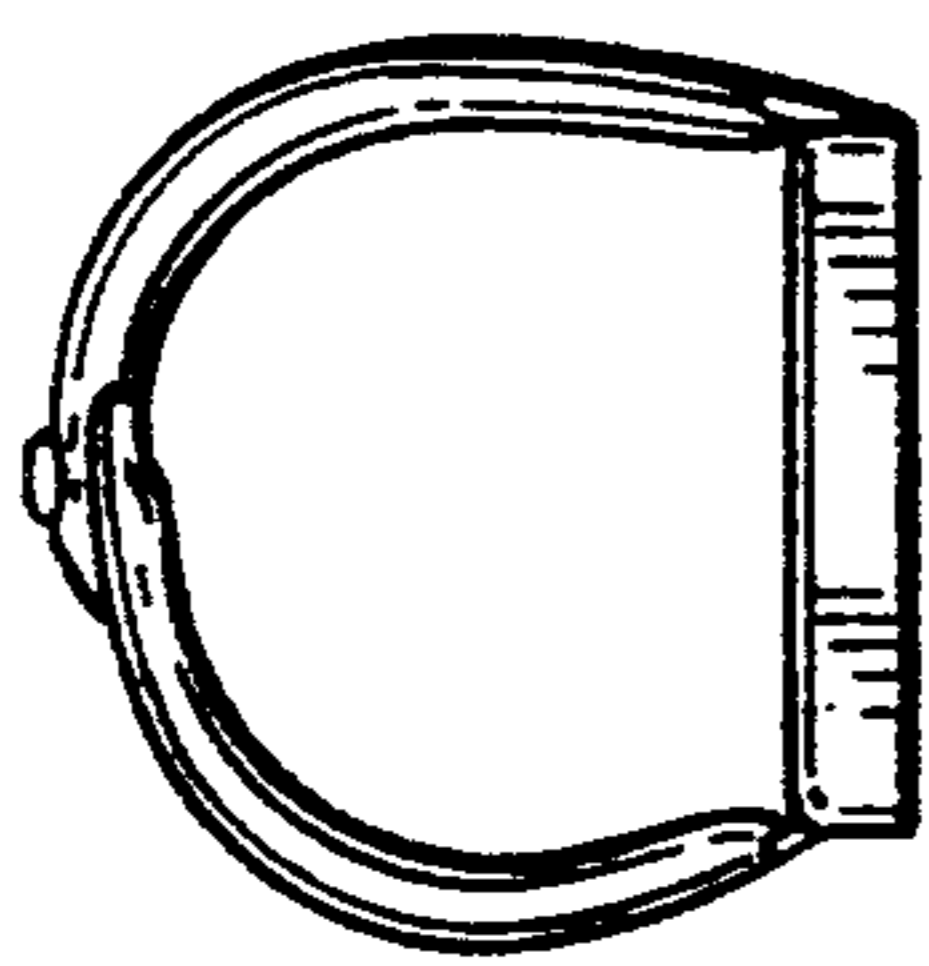


FIG. 4

FIG. 8

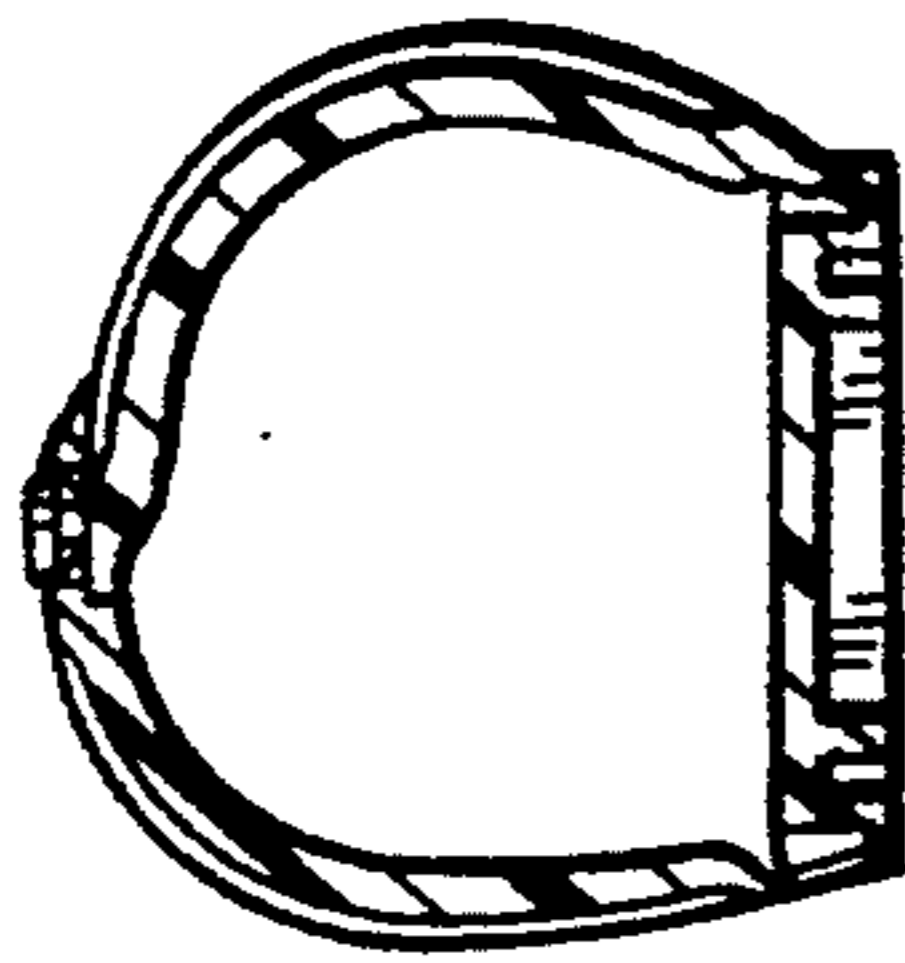


FIG. 10

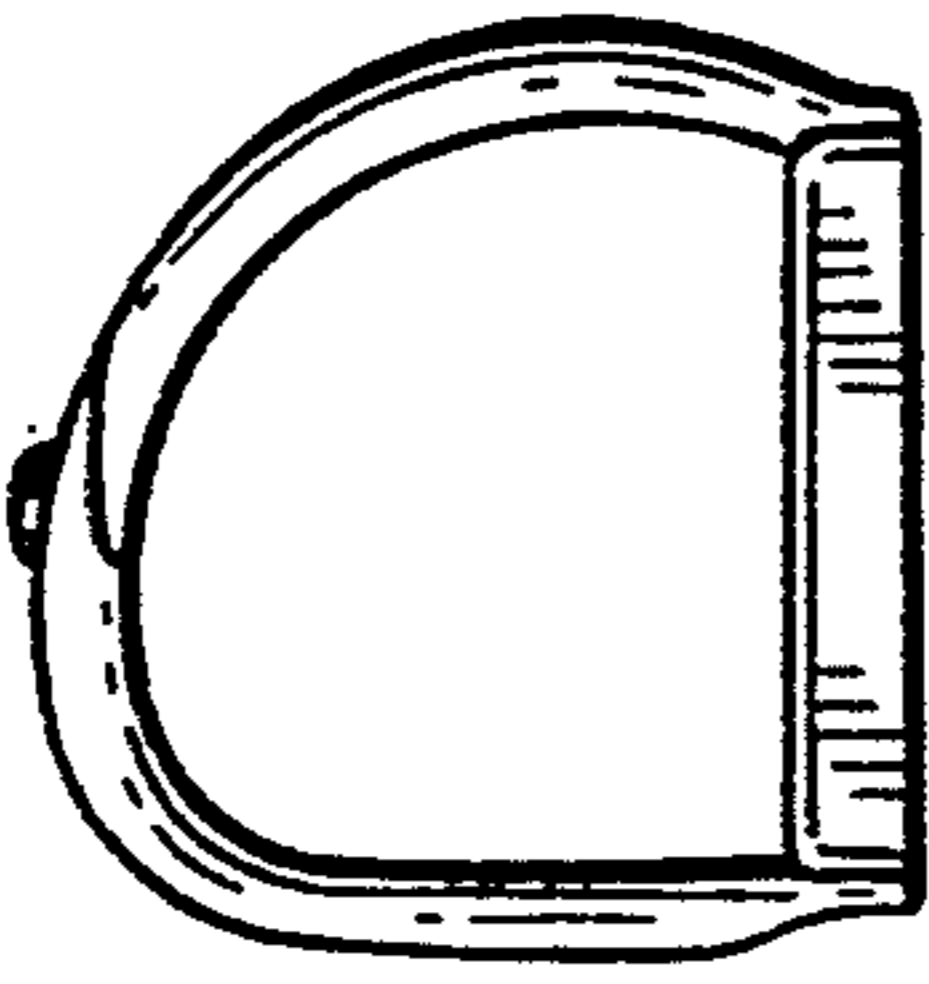


FIG. 7

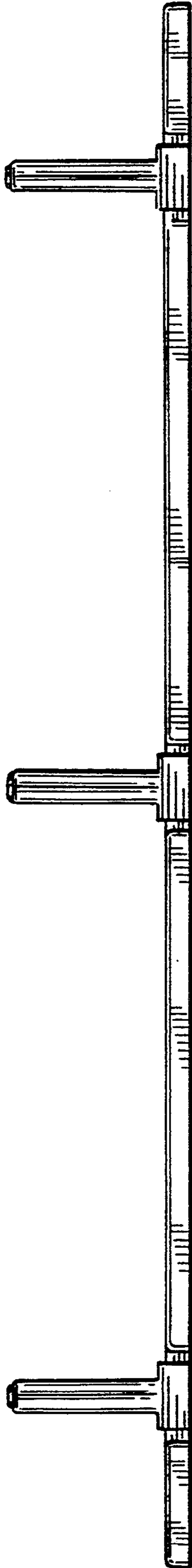


FIG. 5

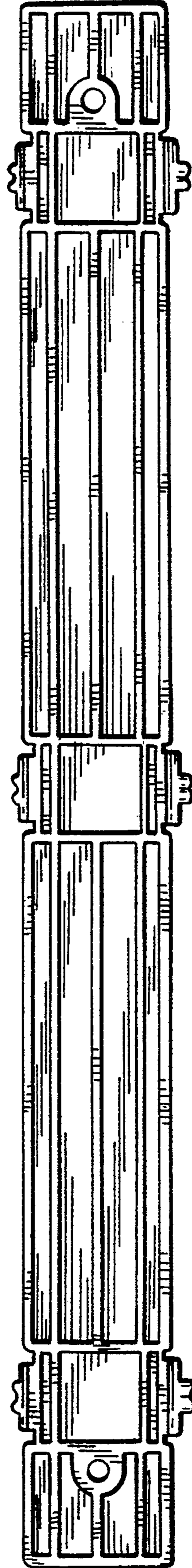


FIG. 6

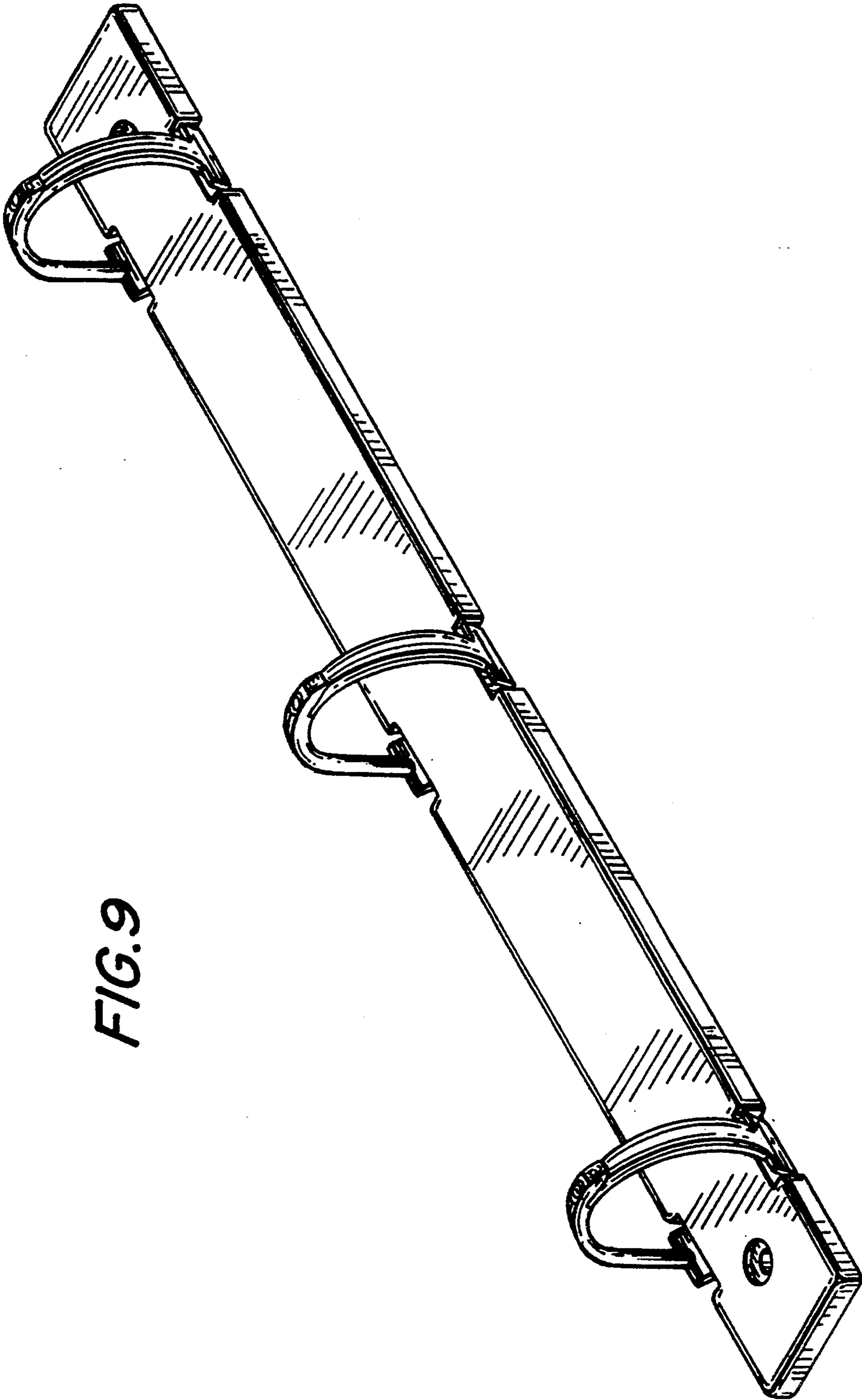


FIG. 9