



US00D356108S

United States Patent [19]
Kondoh

[11] **Patent Number: Des. 356,108**

[45] **Date of Patent: ** Mar. 7, 1995**

[54] **TONER REPLENISHER**

[75] **Inventor: Shiroh Kondoh, Atsugi, Japan**

[73] **Assignee: Ricoh Company, Ltd., Tokyo, Japan**

[**] **Term: 14 Years**

[21] **Appl. No.: 876,221**

[22] **Filed: Apr. 30, 1992**

[30] **Foreign Application Priority Data**

Oct. 31, 1991 [JP] Japan 3-32997

[52] **U.S. Cl. D18/43**

[58] **Field of Search D18/43; D19/66, 70,
D19/71; 118/657; 141/1; 206/216, 446, 461,
527; 222/166, 240, 325, 541, DIG. 1; 355/260,
298**

[56] **References Cited**

U.S. PATENT DOCUMENTS

D. 314,212 1/1991 Komada et al. D18/43 X

D. 319,842 9/1991 Tanda D18/43
4,986,450 1/1991 Yasuda et al. 222/DIG. 1 X
5,204,720 4/1993 Ishida et al. 355/298 X

Primary Examiner—Alan P. Douglas
Assistant Examiner—Robert M. Spear
Attorney, Agent, or Firm—Oblon, Spivak, McClelland,
Maier, & Neustadt

[57] **CLAIM**

The ornamental design for toner replenisher, as shown and described.

DESCRIPTION

FIG. 1 is a front and top-left perspective view of a toner replenisher showing my new design;
FIG. 2 is a front elevational view thereof;
FIG. 3 is a rear elevational view thereof;
FIG. 4 is a top plan view thereof;
FIG. 5 is a bottom plan view thereof;
FIG. 6 is a left side elevational view thereof; and,
FIG. 7 is a right side elevational view thereof.

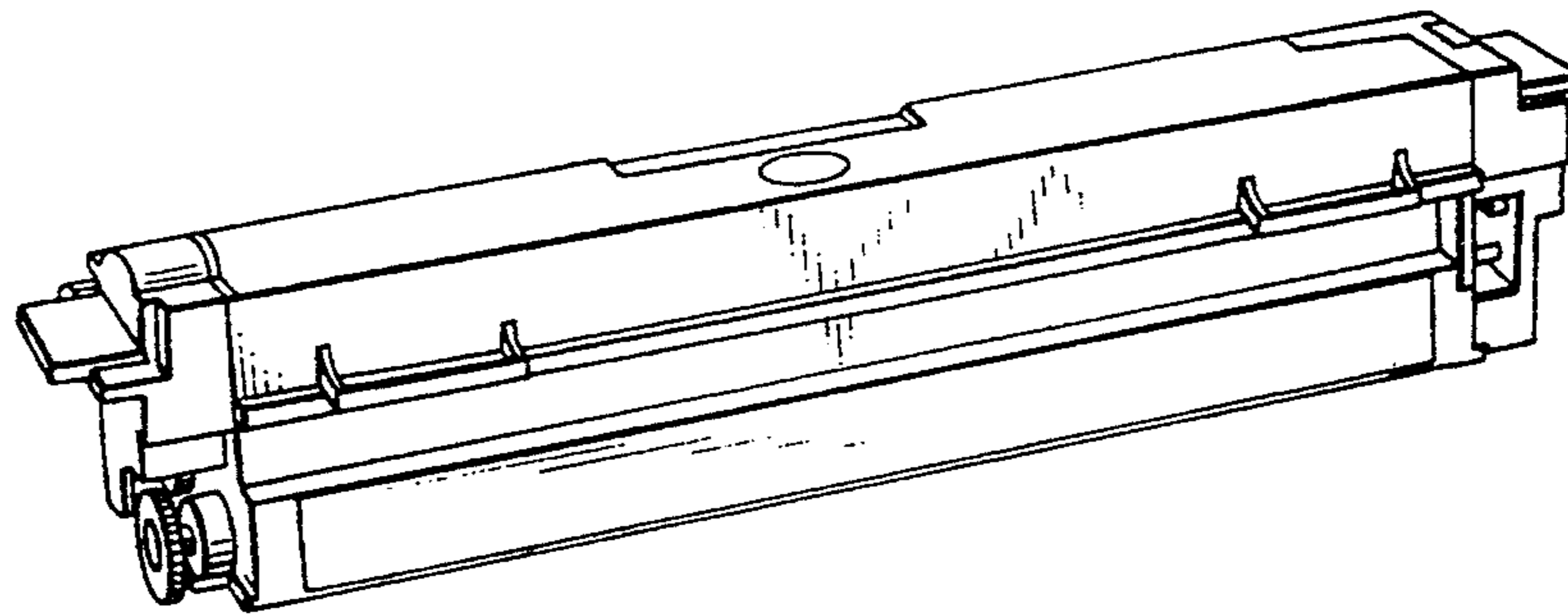


FIG. 1

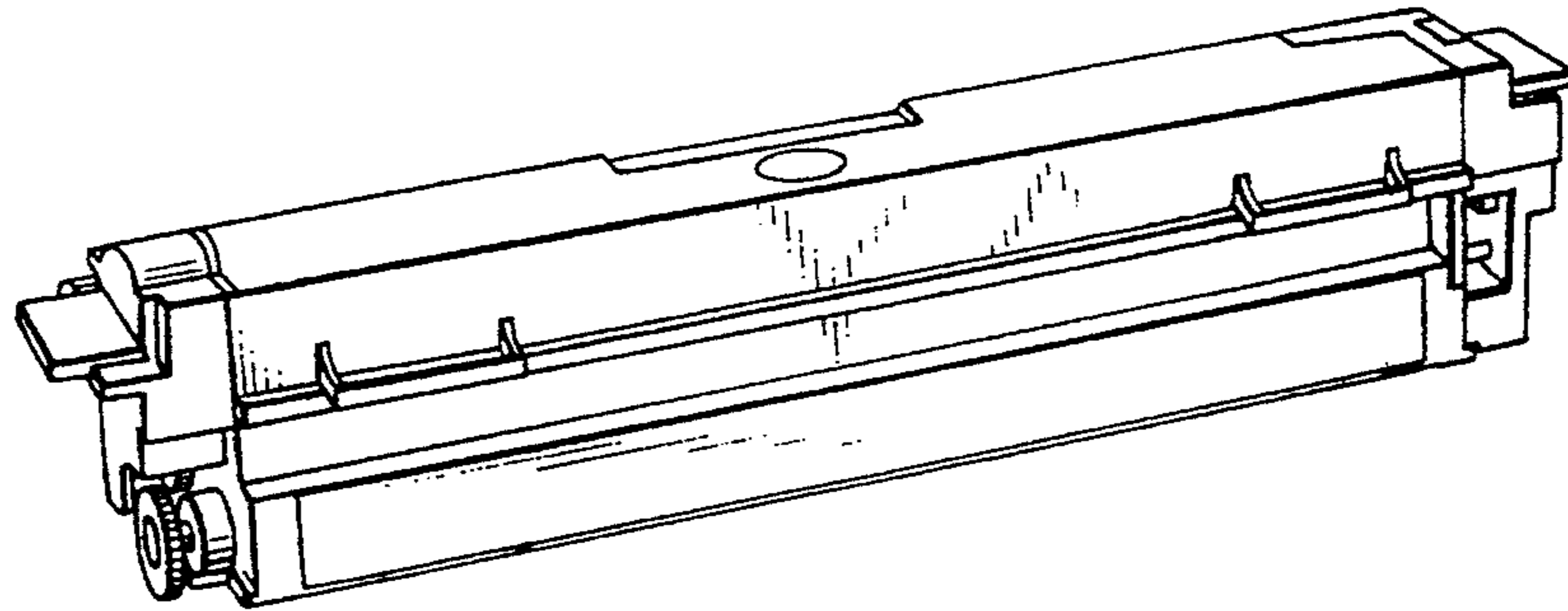


FIG. 2

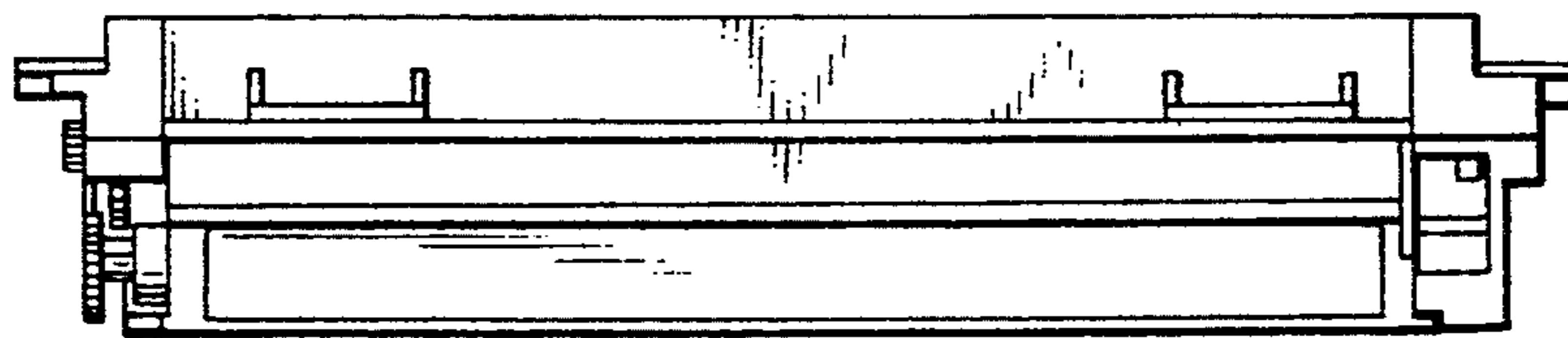


FIG. 3

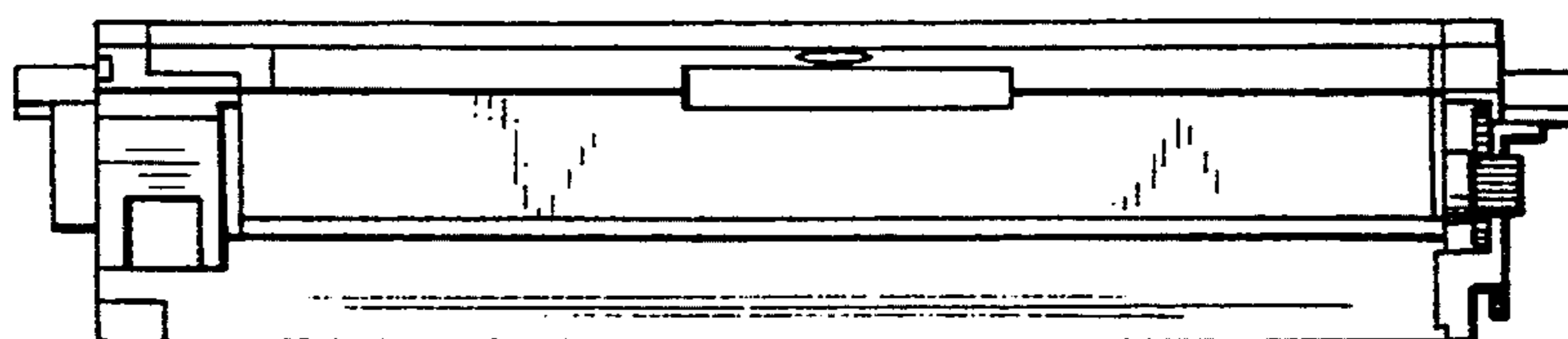


FIG. 4

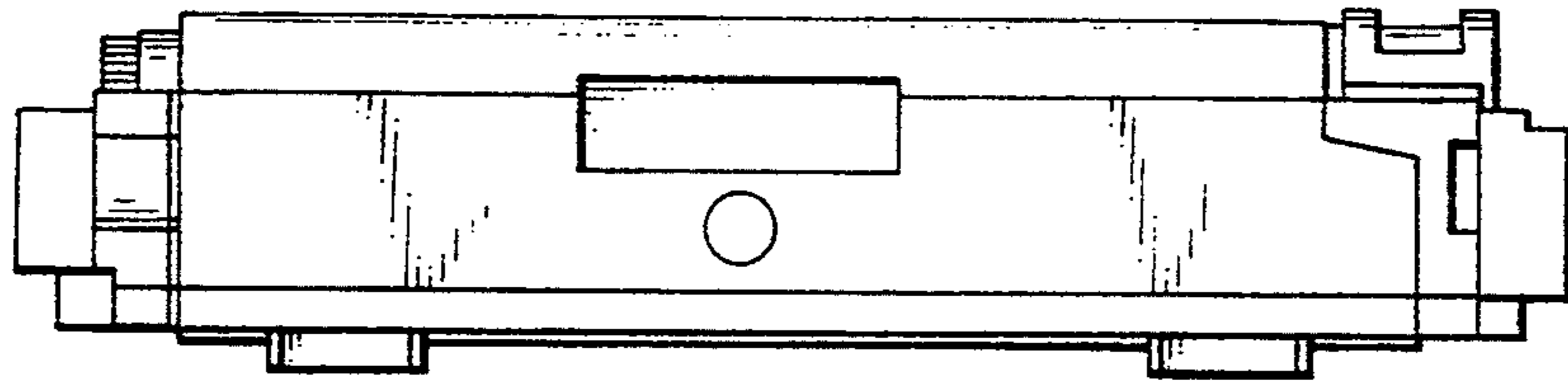


FIG. 5

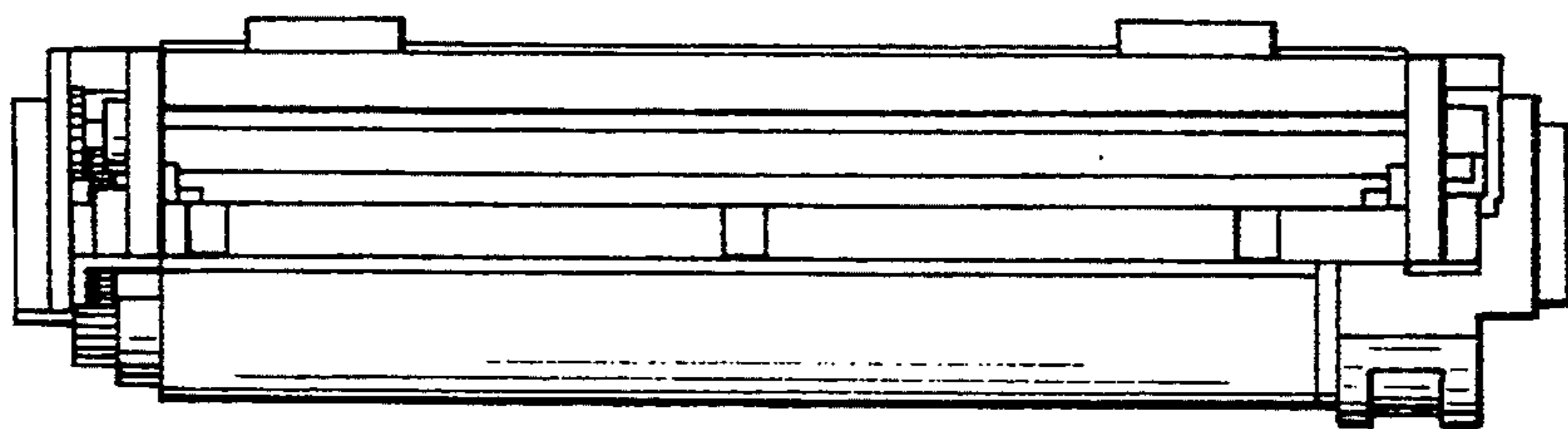


FIG. 6

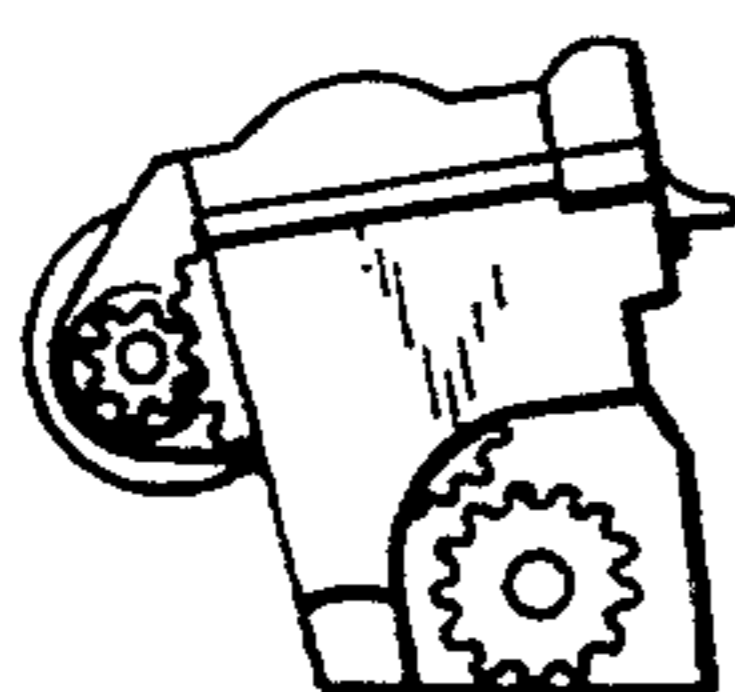
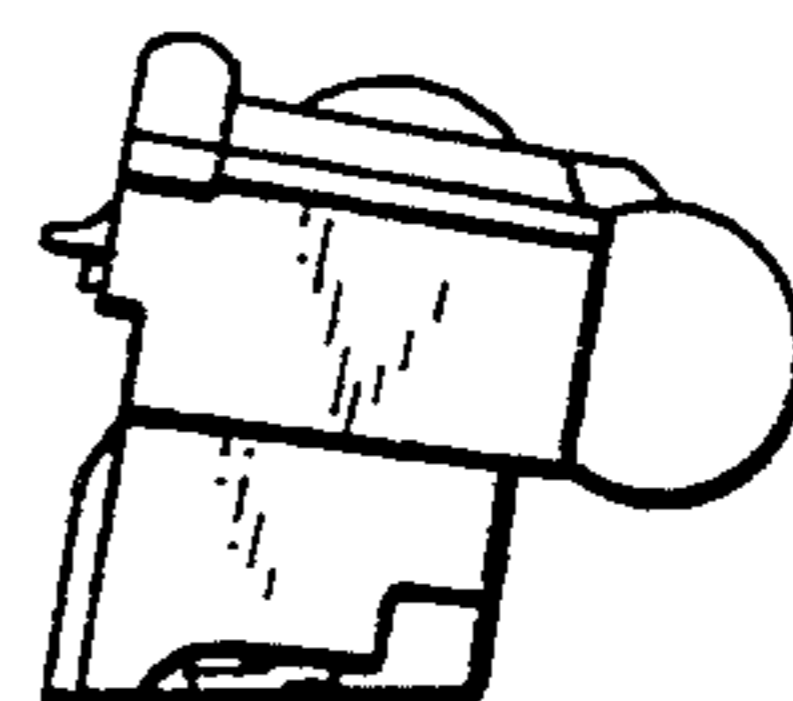


FIG. 7



UNITED STATES PATENT AND TRADEMARK OFFICE
CERTIFICATE OF CORRECTION

PATENT NO. : DES 356,108
DATED : March 7, 1995
INVENTOR(S) : Shiroh KONDOH

It is certified that error appears in the above-identified patent and that said Letters Patent is hereby corrected as shown below:

On the title page, Item [73], the Assignee should read:

--Ricoh Company, Ltd., Tokyo, Japan--

Signed and Sealed this
Thirteenth Day of June, 1995

Attest:



BRUCE LEHMAN

Attesting Officer

Commissioner of Patents and Trademarks