



US00D356107S

United States Patent [19]

[11] Patent Number: **Des. 356,107**

Watanabe et al.

[45] Date of Patent: **** Mar. 7, 1995**

[54] **DEVELOPING CARTRIDGE FOR COPIER**

[75] Inventors: **Mamoru Watanabe; Hideyuki Nanba; Masato Kawashima**, all of Kawasaki; **Michihiro Fujii, Kato**, all of Japan

[73] Assignee: **Fujitsu Limited**, Kanagawa, Japan

[**] Term: **14 Years**

[21] Appl. No.: **1,516**

[22] Filed: **Nov. 16, 1992**

[30] **Foreign Application Priority Data**

May 15, 1992 [JP] Japan 4-14076

[52] U.S. Cl. **D18/43; D18/40**

[58] Field of Search **D18/36, 40, 43, 22; 118/653, 657; 141/1; 222/DIG. 1, 166, 240, 325, 541; 355/200, 245, 260**

[56] **References Cited**

U.S. PATENT DOCUMENTS

D. 287,023 12/1986 Masaki D18/40

D. 307,700 5/1990 Sakakura et al. D18/40
4,583,832 4/1986 Kasamura et al. 355/260
4,695,153 9/1987 Matsushita 118/653 X
4,849,791 7/1989 Hagihara et al. 355/260 X
4,977,428 12/1990 Sakakura et al. 118/653 X

Primary Examiner—Nelson C. Holtje
Assistant Examiner—Caron D. Veynar
Attorney, Agent, or Firm—Staas & Halsey

[57] **CLAIM**

The ornamental design for a developing cartridge for copier, as shown.

DESCRIPTION

FIG. 1 is a front elevational view of our developing cartridge for copier design;
FIG. 2 is a rear elevational view thereof;
FIG. 3 is a left side elevational view thereof;
FIG. 4 is a right side elevational view thereof;
FIG. 5 is a top plan view thereof;
FIG. 6 is a bottom plan view thereof; and,
FIG. 7 is a perspective view thereof.

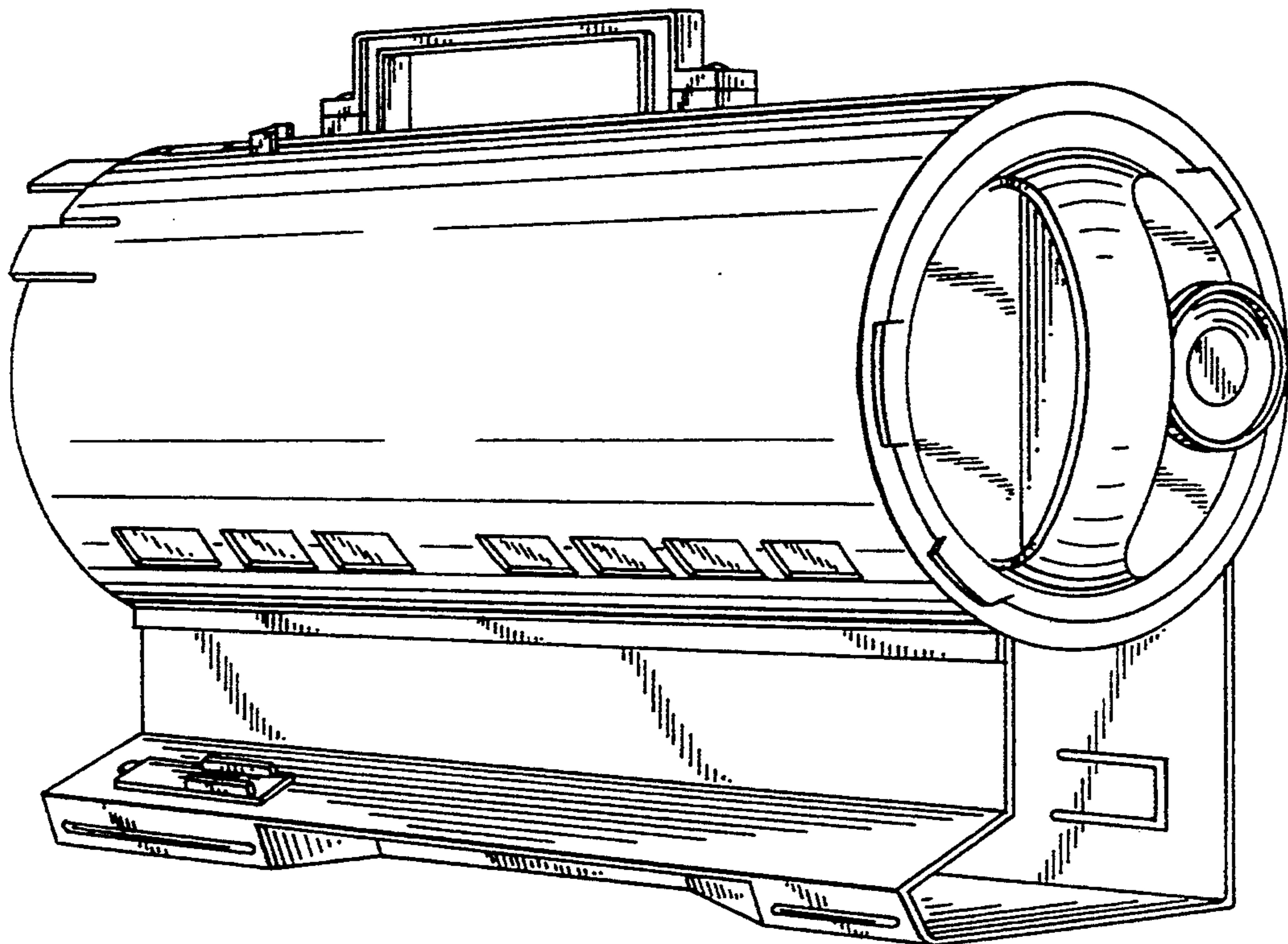


FIG. 1

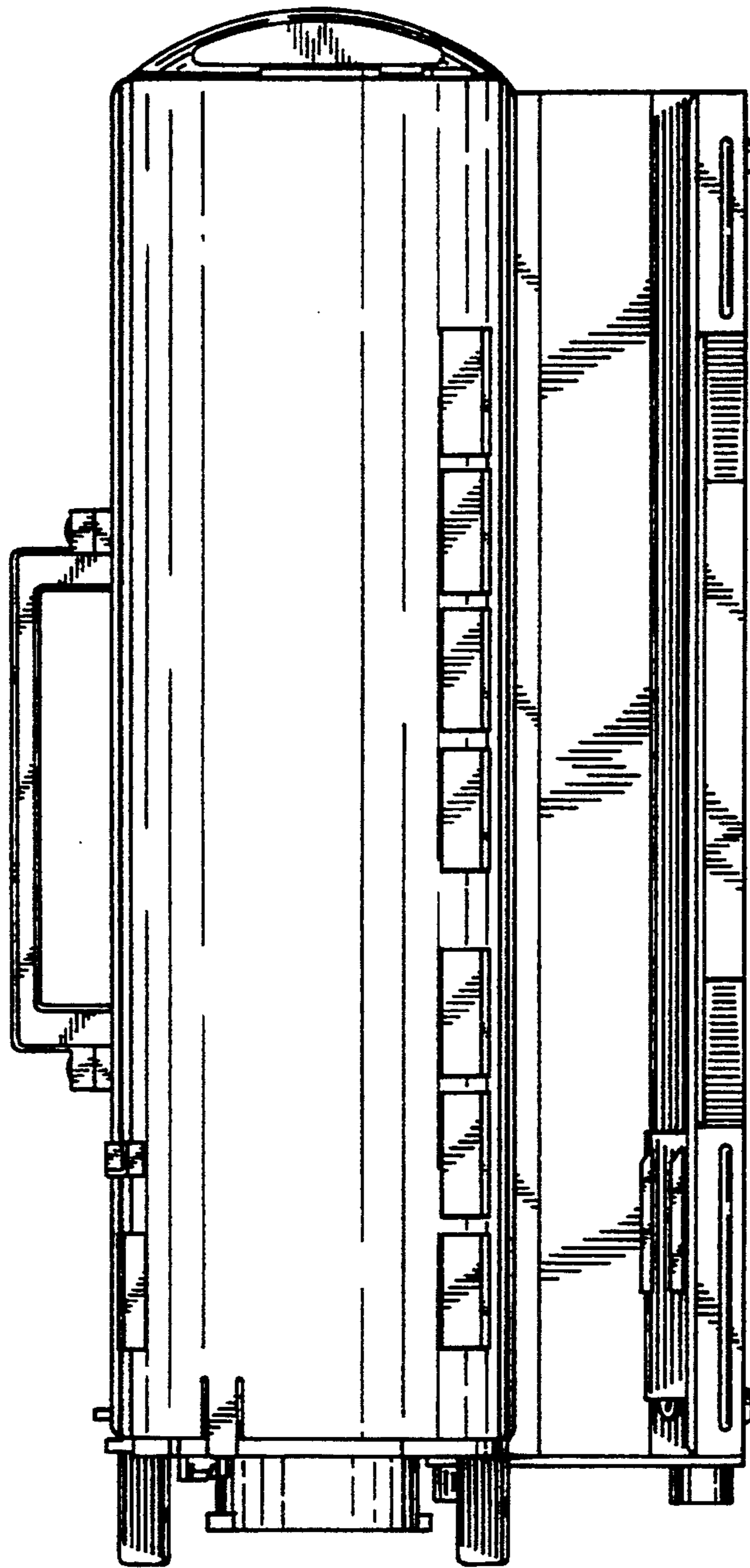


FIG. 2

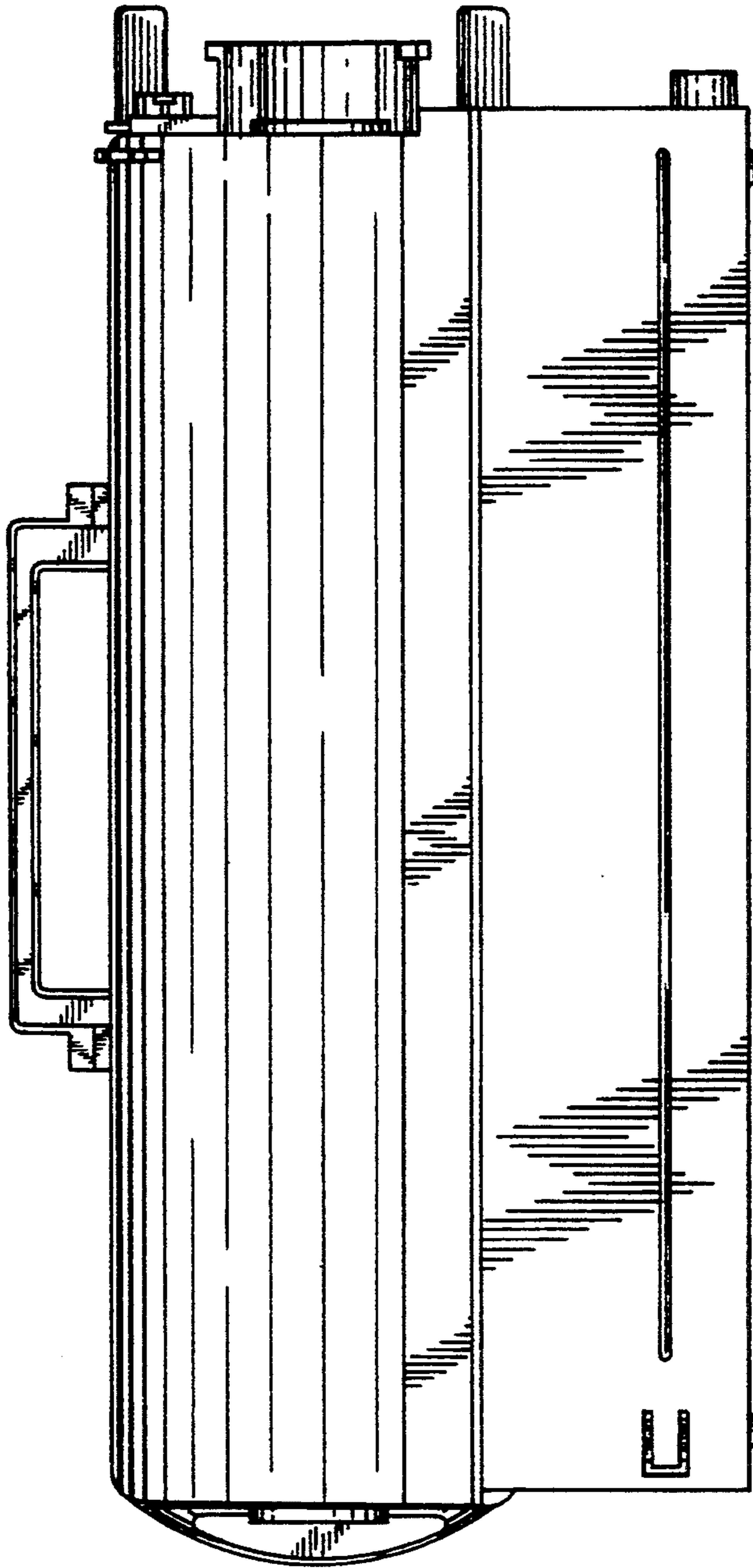


FIG. 4

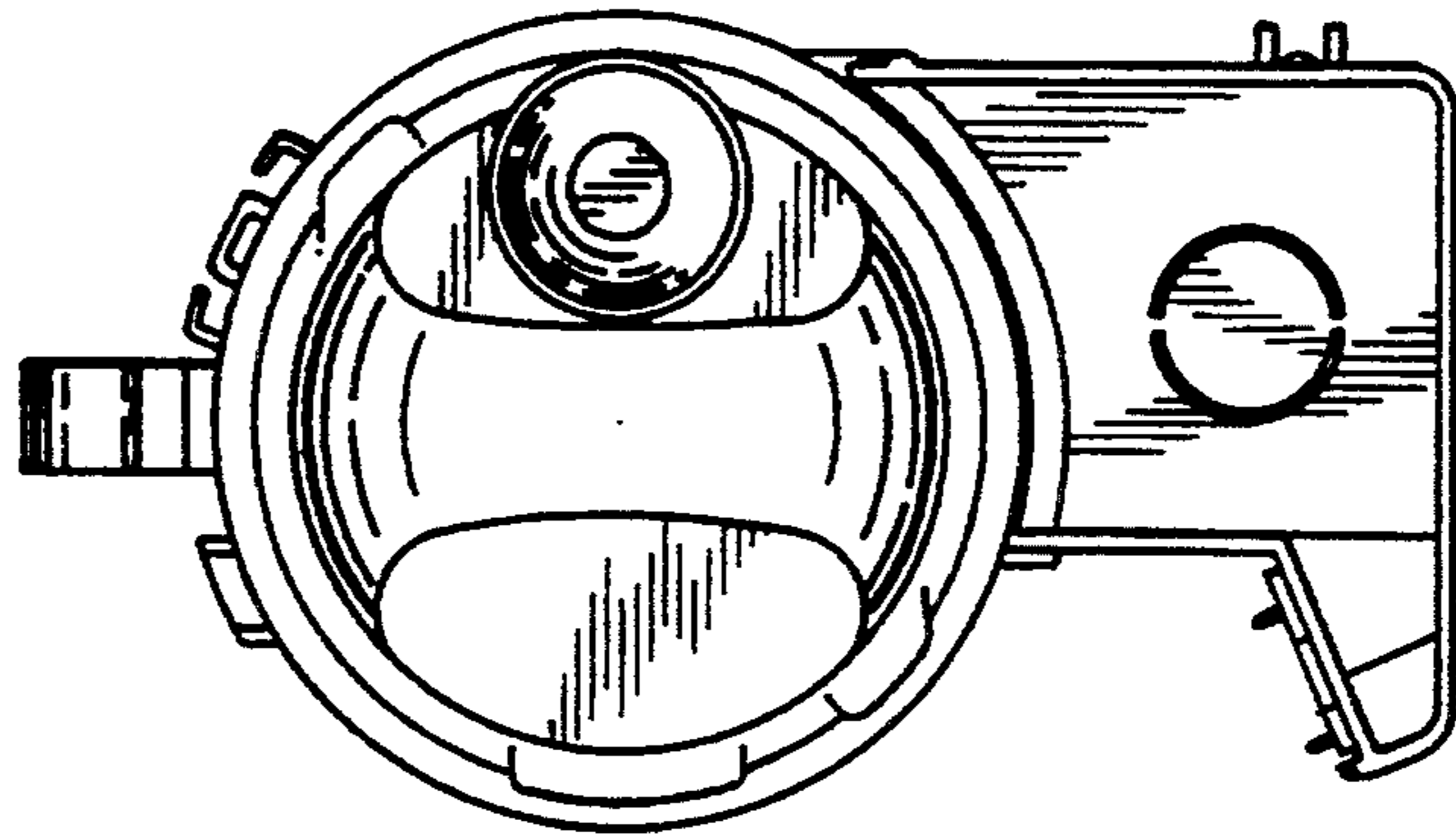


FIG. 3

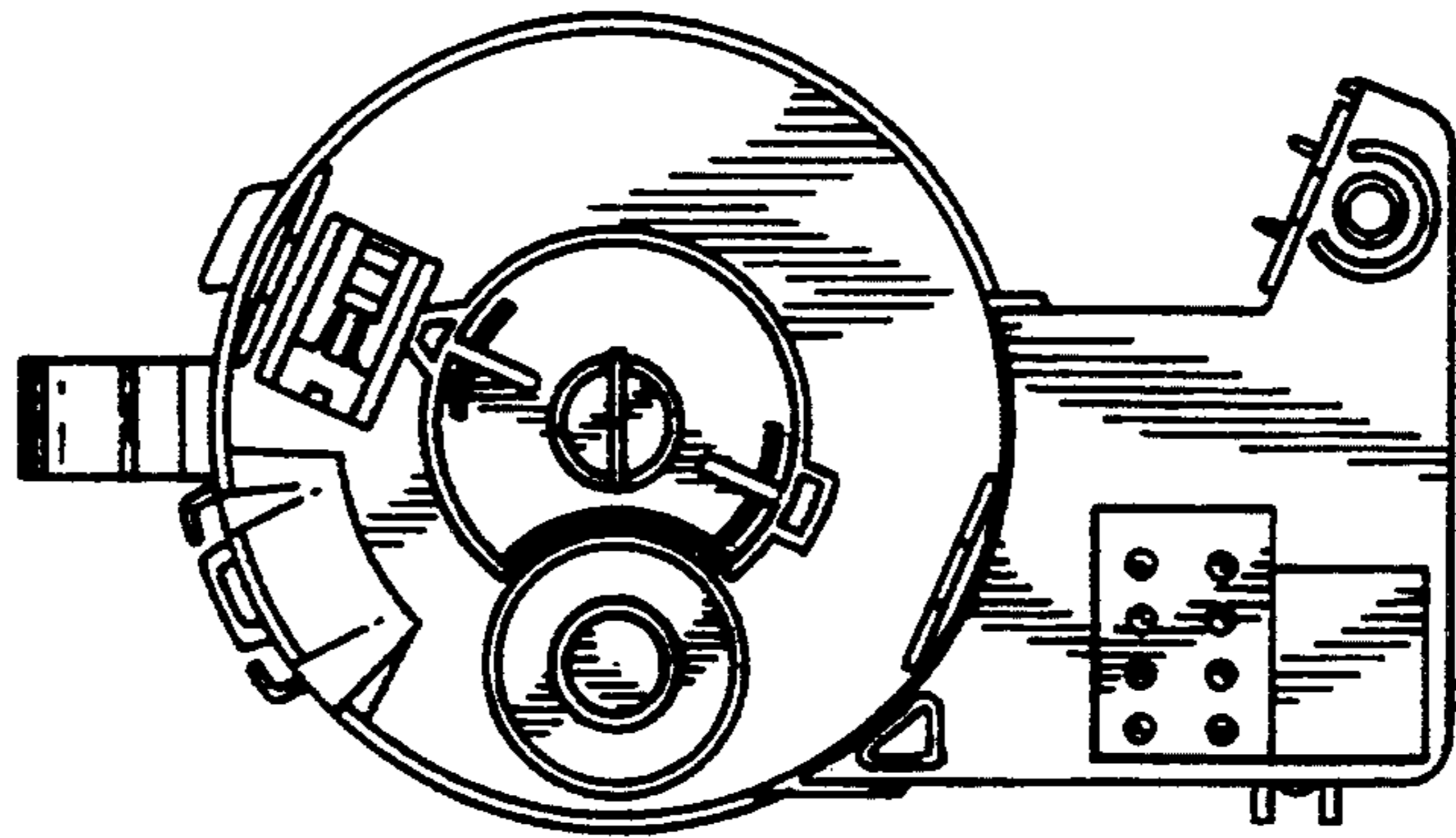


FIG. 5

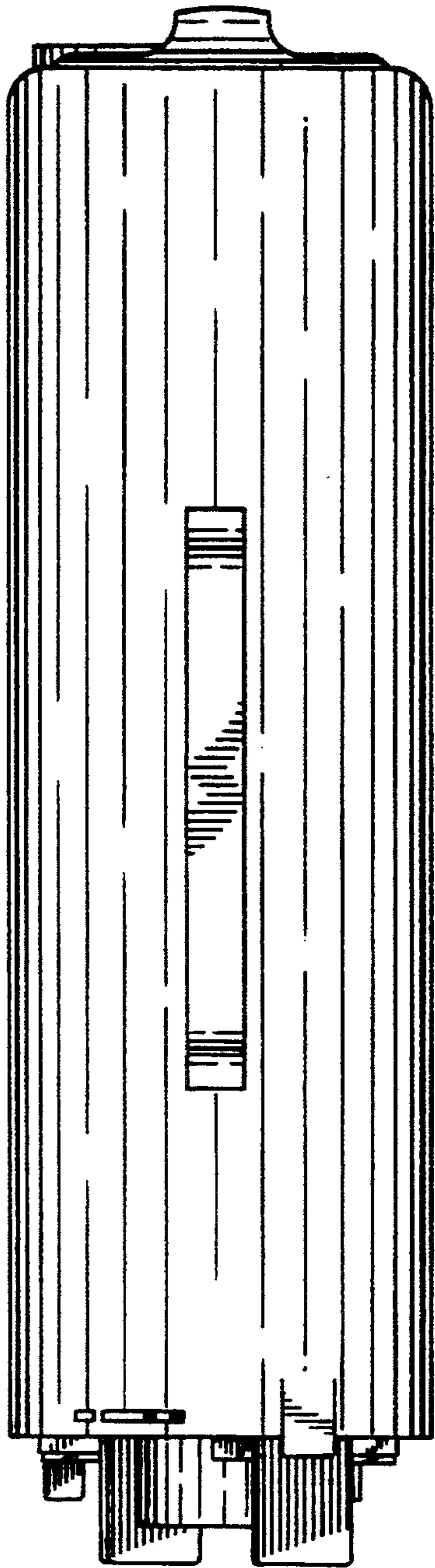


FIG. 6

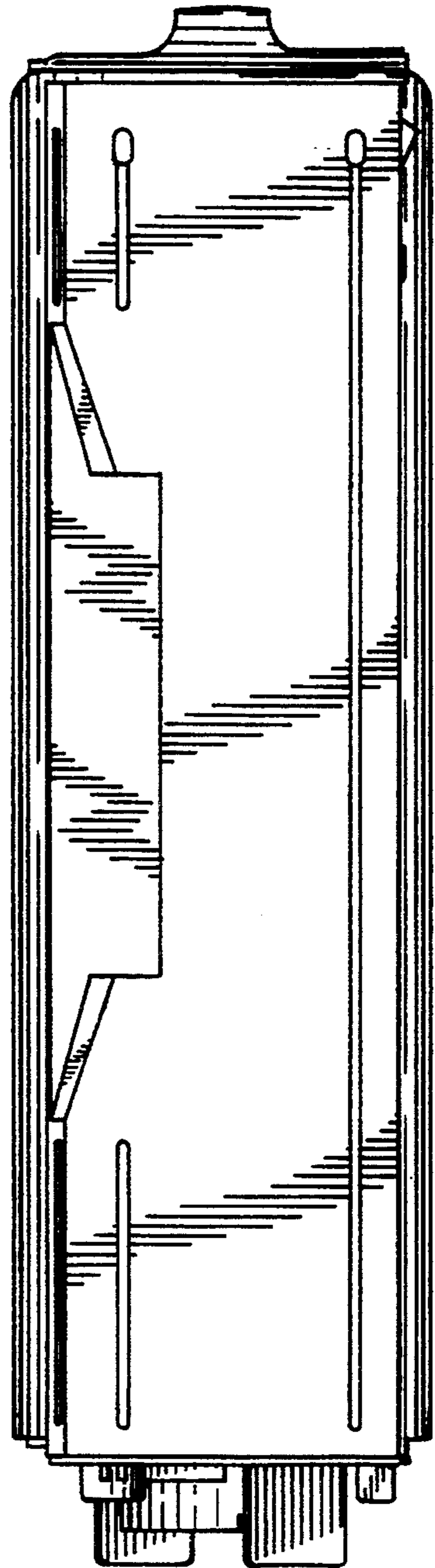


FIG. 7

