



US00D356103S

United States Patent [19]

[11] Patent Number: **Des. 356,103**

Saeki et al.

[45] Date of Patent: **** Mar. 7, 1995**

[54] VIDEO PROJECTOR

[75] Inventors: **Taisuke Saeki; Harumi Sakamoto; Isao Yoshinaka**, all of Tochigi, Japan

[73] Assignee: **Sharp Kabushiki Kaisha**, Osaka, Japan

[**] Term: **14 Years**

[21] Appl. No.: **2,791**

[22] Filed: **Dec. 18, 1992**

[30] Foreign Application Priority Data

Jun. 25, 1992 [JP] Japan 4-19056
 [52] U.S. Cl. **D16/221**
 [58] Field of Search D16/202-205,
 D16/200, 213, 221, 225, 230; 348/373-376;
 353/115, 119, 122

[56] References Cited

U.S. PATENT DOCUMENTS

D. 256,248	8/1980	Alt	D16/233
D. 331,768	12/1992	Saeki et al.	D16/225
D. 339,817	9/1993	Fukuda et al.	D16/230
D. 343,849	2/1994	Miyahara	D16/225
3,170,370	2/1965	Mulch	353/115

Primary Examiner—Bernard Ansher
Assistant Examiner—Adir Aronovich
Attorney, Agent, or Firm—Nixon & Vanderhye

[57] CLAIM

The ornamental design for a video projector, as shown and described.

DESCRIPTION

FIG. 1 is a top, front and right side perspective view of a video projector according to our design;
 FIG. 2 is a top plan view thereof;
 FIG. 3 is a front elevational view thereof;
 FIG. 4 is a right side elevational view thereof;
 FIG. 5 is a rear elevational view thereof;
 FIG. 6 is a left side elevational view thereof; and,
 FIG. 7 is a bottom plan view thereof.

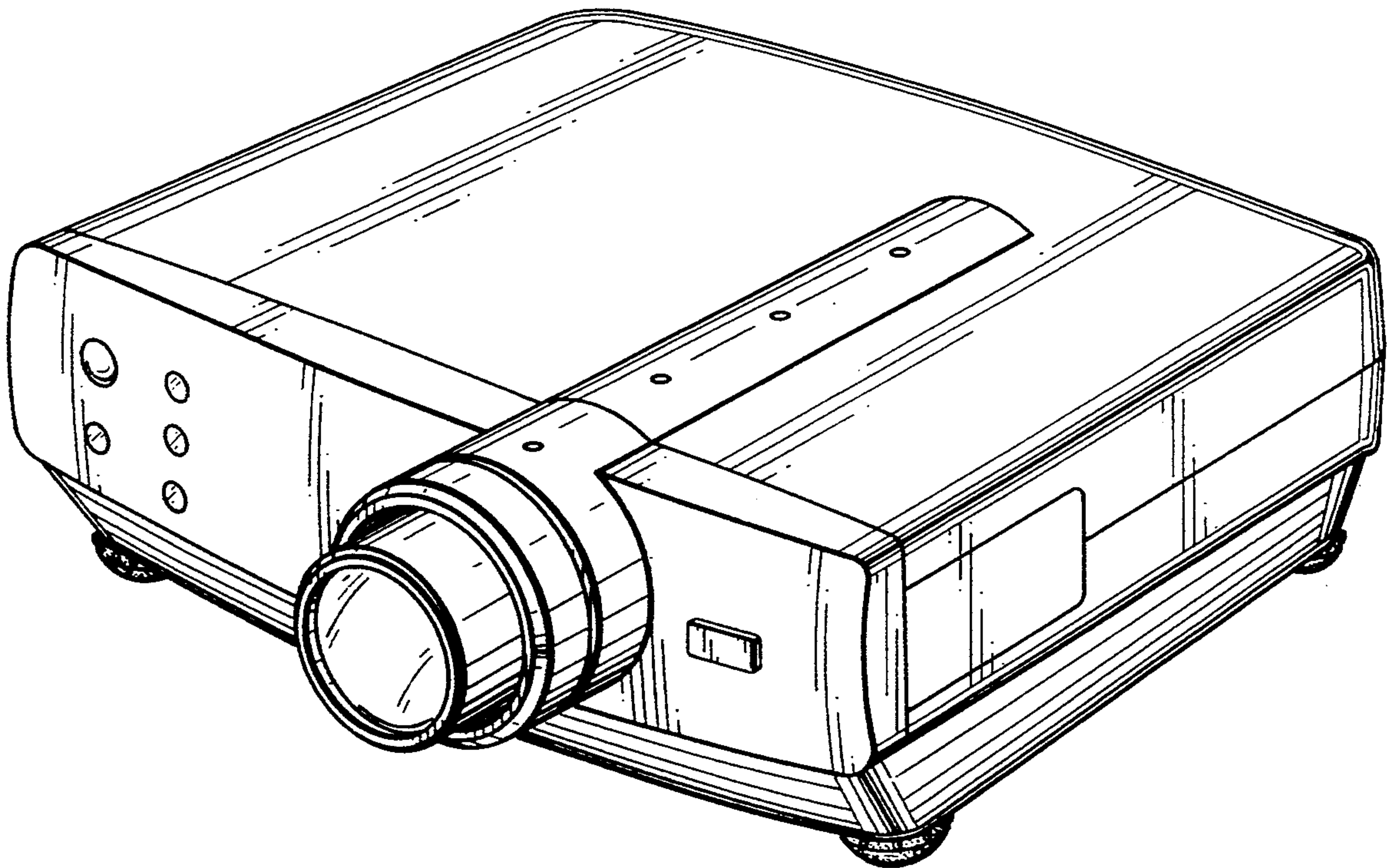


FIG. 1

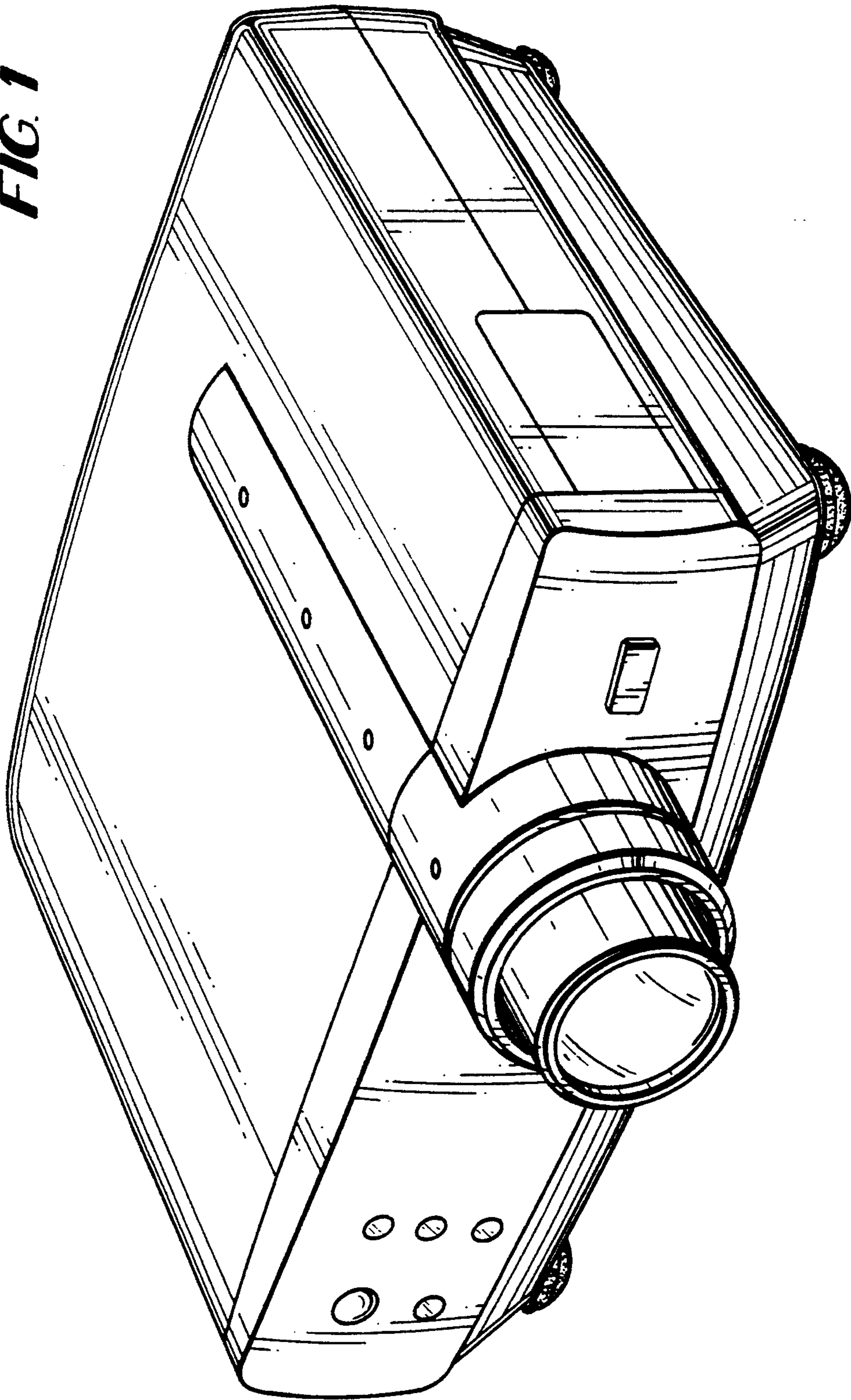


FIG. 2

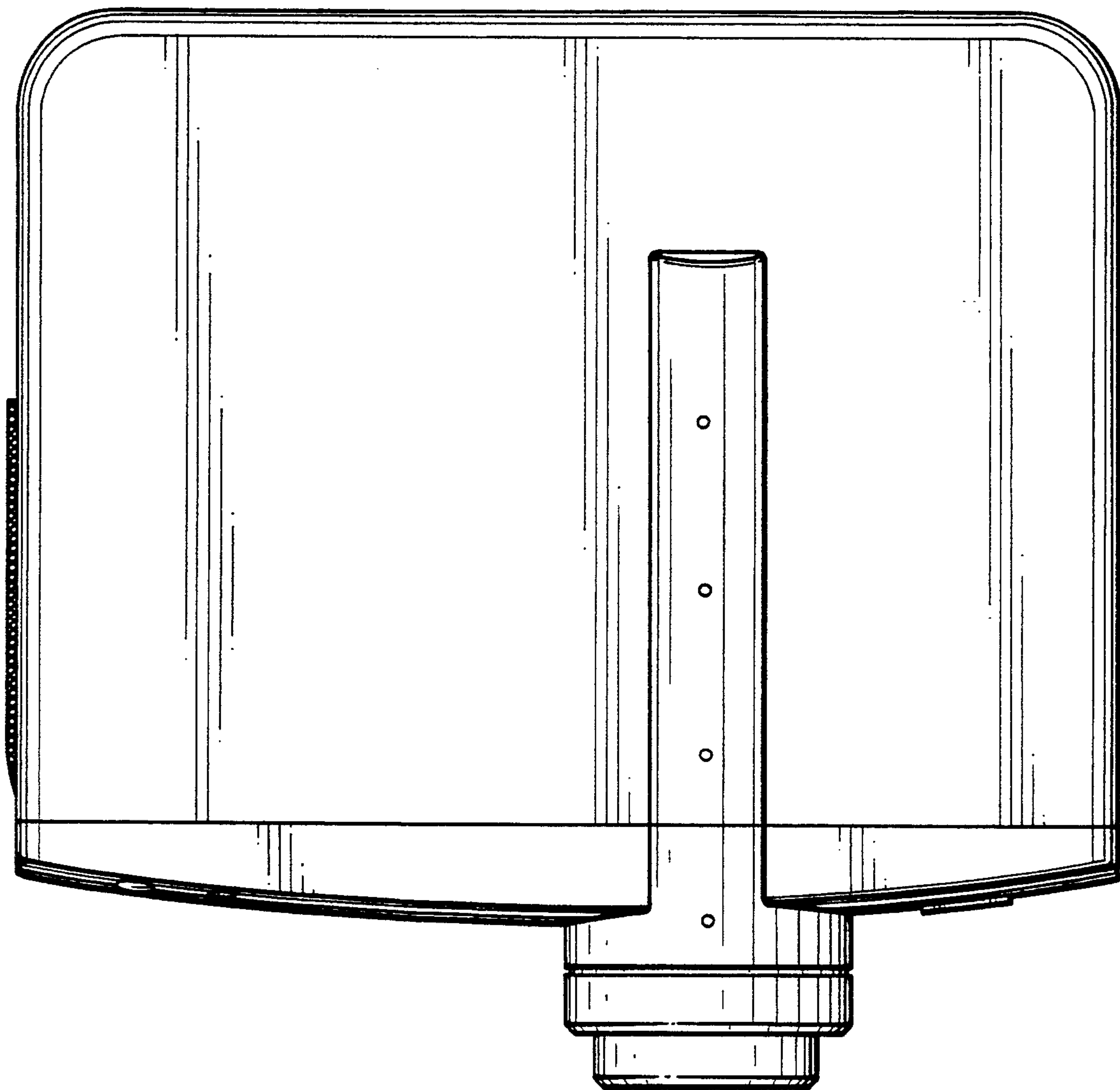


FIG. 3

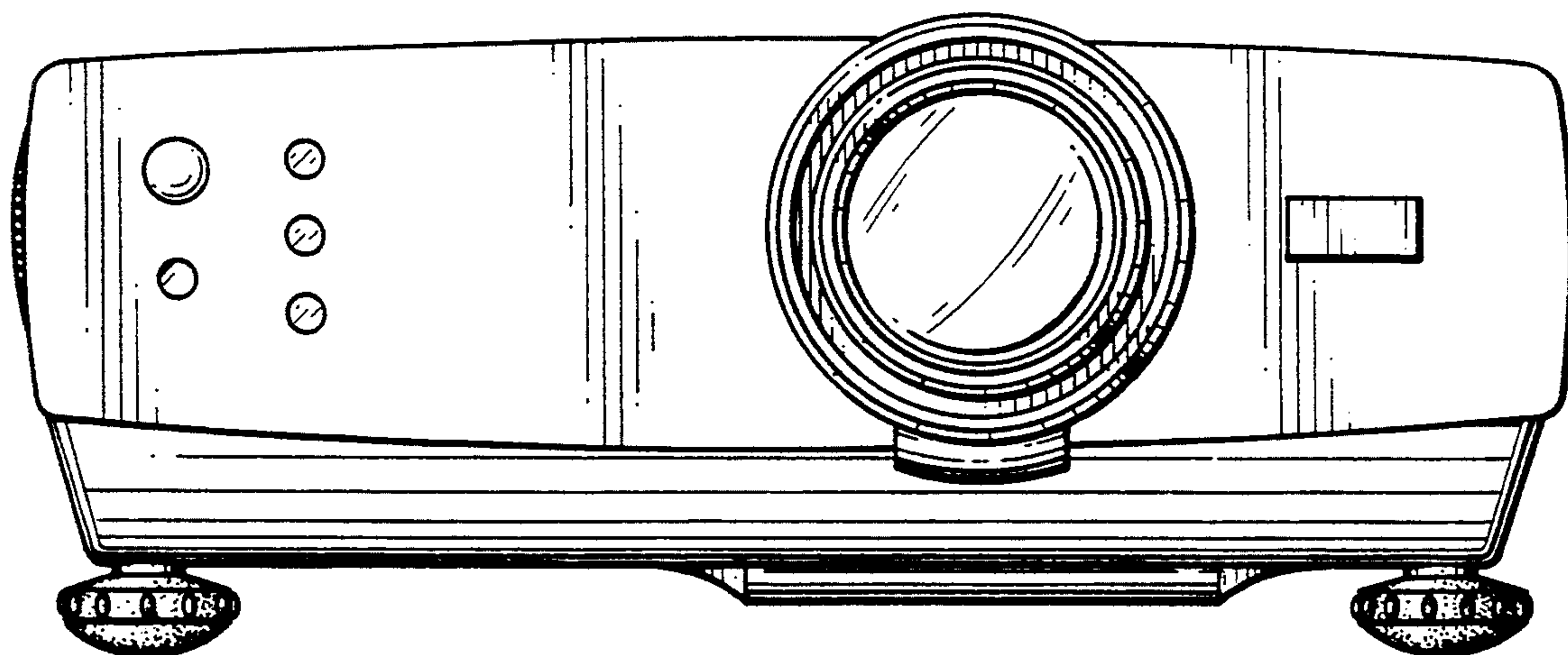


FIG. 4

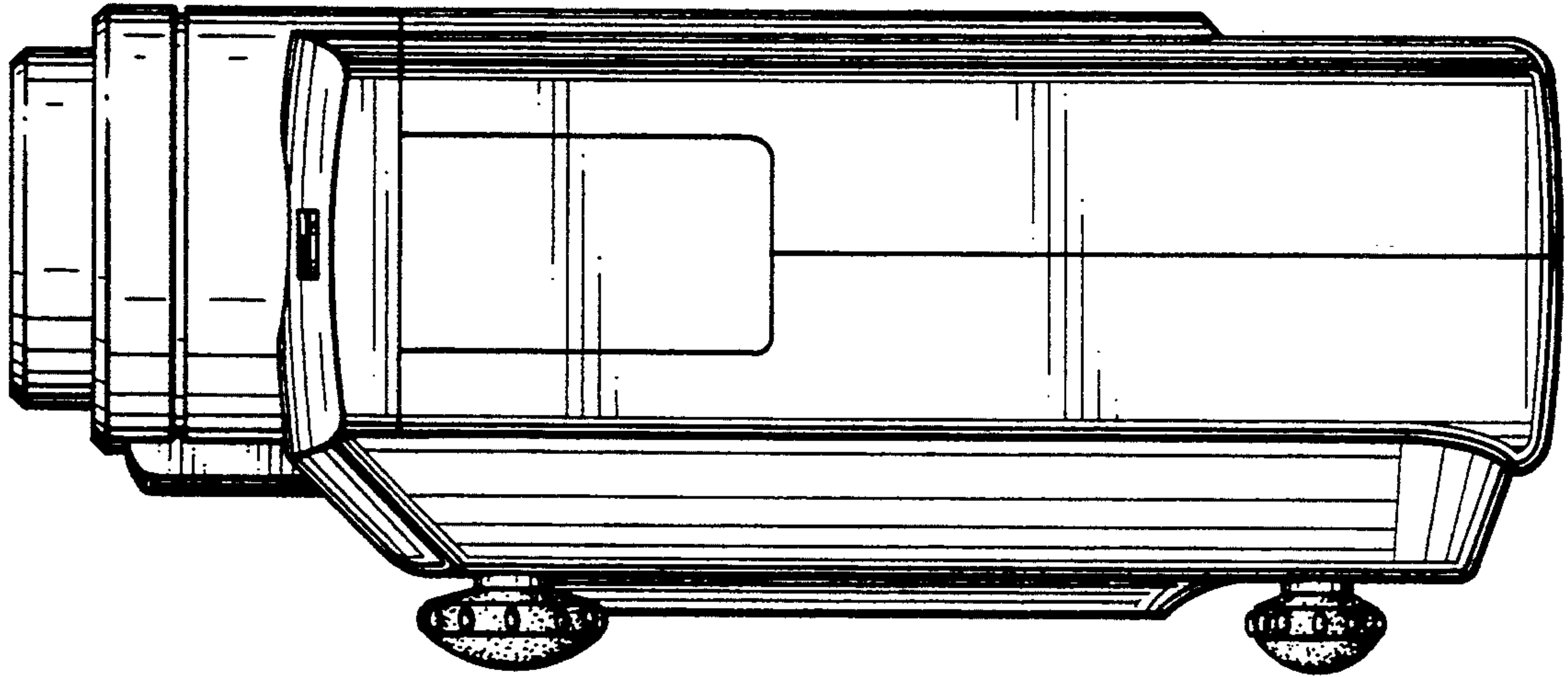


FIG. 5

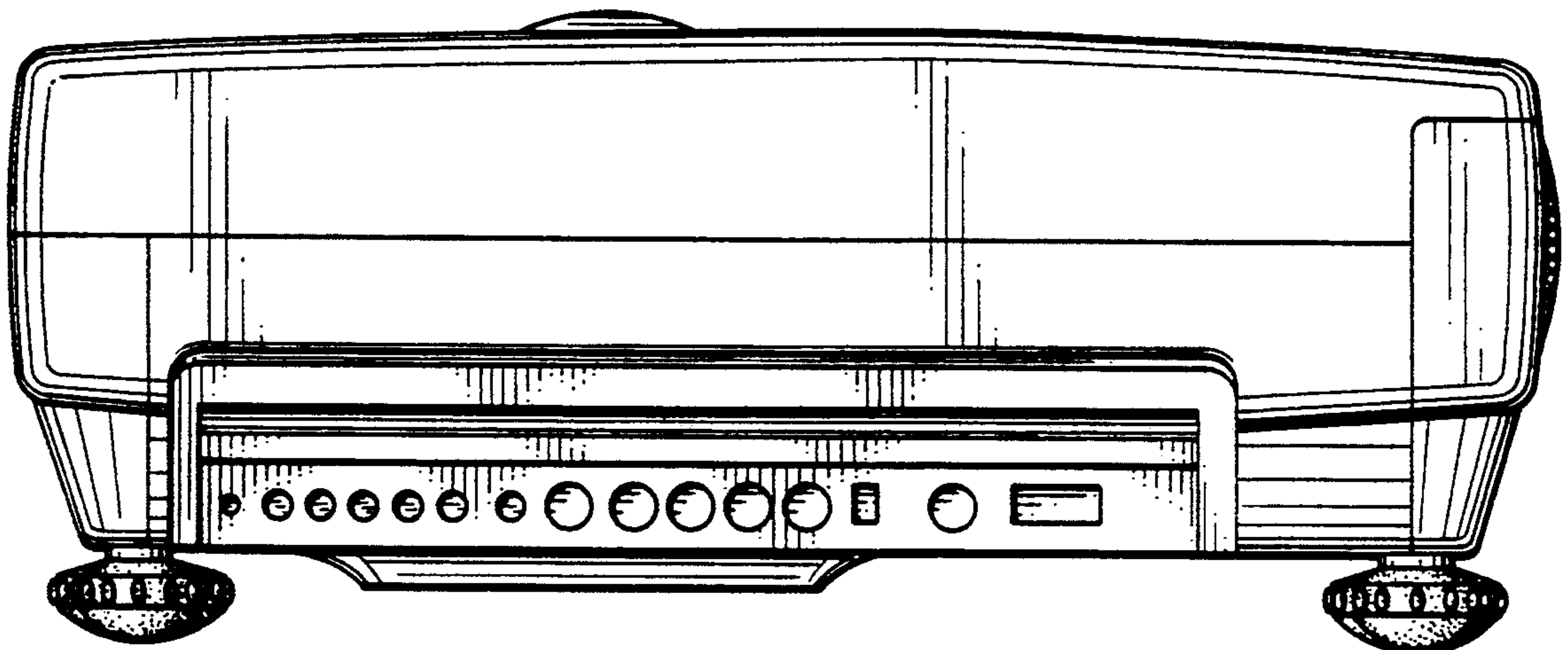


FIG. 6

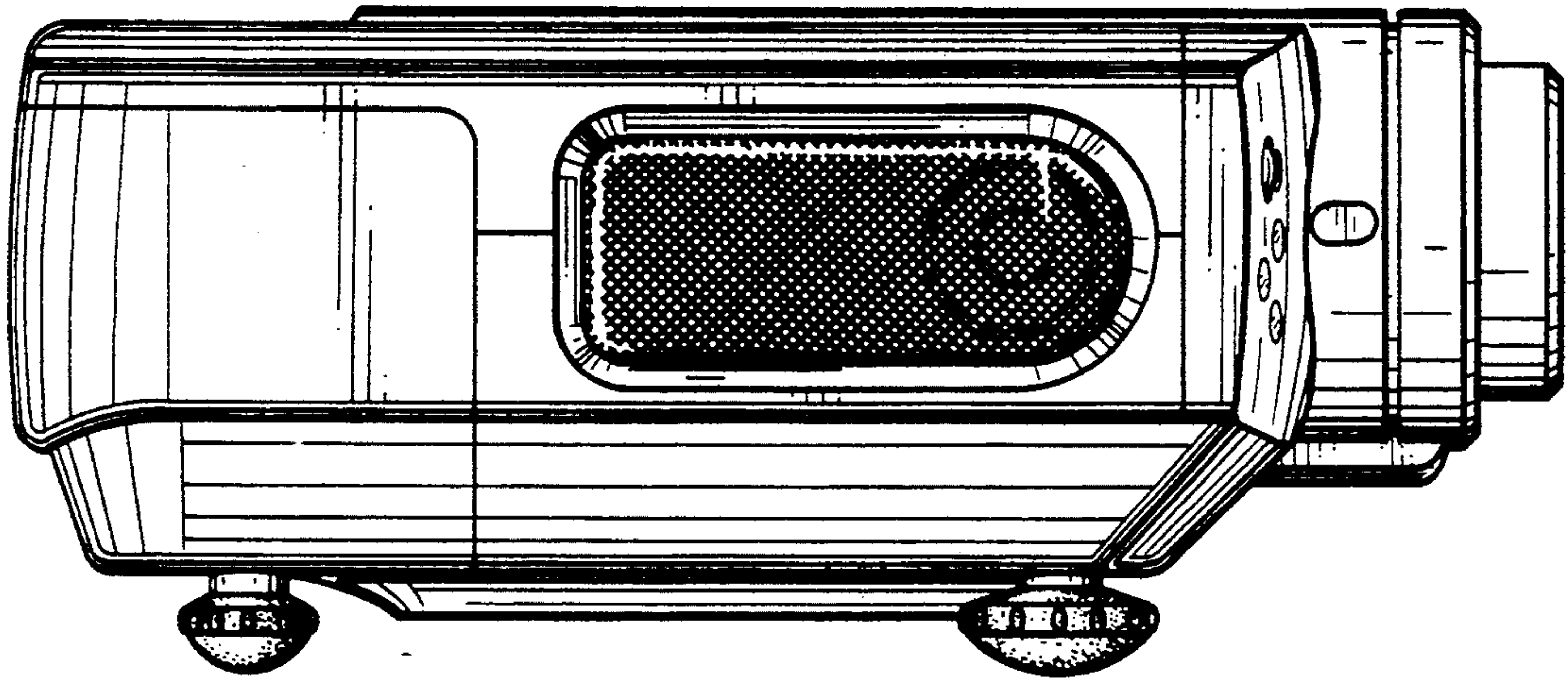


FIG. 7

