



US00D356101S

United States Patent [19]

[11] Patent Number: **Des. 356,101**

Arai

[45] Date of Patent: **** Mar. 7, 1995**

[54] **SINGLE USE CAMERA**

[75] Inventor: **Takuya Arai, Tokyo, Japan**

[73] Assignee: **Fuji Photo Film Co., Ltd., Kanagawa, Japan**

[**] Term: **14 Years**

[21] Appl. No.: **21,031**

[22] Filed: **Mar. 16, 1994**

Related U.S. Application Data

[63] Continuation of Ser. No. 1,453, Nov. 13, 1992, abandoned.

Foreign Application Priority Data

May 14, 1992 [JP] Japan 4-14034

[52] U.S. Cl. **D16/208; D16/209**

[58] Field of Search **D9/307, 414, 418, 432; D16/200, 205, 208, 209, 212, 217, 218; 354/64, 65, 75, 126, 149.11, 202, 288**

References Cited

U.S. PATENT DOCUMENTS

- D. 311,335 10/1990 Arai D9/432
- D. 313,183 12/1990 Arai D9/432
- D. 313,937 1/1991 Arai D9/432
- D. 313,938 1/1991 Arai D9/432
- D. 315,916 4/1991 Leonard et al. D16/218
- D. 320,937 10/1991 Arai D9/432
- D. 321,705 11/1991 Ohmura et al. D16/208
- D. 323,843 2/1992 Arai D16/208
- D. 325,741 4/1992 Arai D16/208
- D. 325,922 5/1992 Arai D16/208
- D. 326,814 6/1992 Arai D9/415
- D. 328,842 2/1992 Arai D16/208
- D. 328,911 8/1992 Arai et al. D16/208
- D. 328,912 8/1992 Arai et al. D16/208
- D. 330,563 10/1992 Kohno et al. D16/208
- D. 330,564 10/1992 Kohno et al. D16/208
- D. 331,109 12/1992 Kohno et al. D16/208

- D. 335,297 5/1993 Kawagoe D16/208
- D. 344,532 2/1994 Takiguchi et al. D16/208
- D. 345,569 3/1994 Yasunaga et al. D16/208
- D. 345,570 3/1994 Yasunaga et al. D16/208
- D. 345,750 4/1994 Arai D16/208
- 5,003,330 3/1991 Kotani et al. 354/149.11
- 5,047,792 9/1991 Asano et al. 354/149.11

FOREIGN PATENT DOCUMENTS

- 62-41507 4/1989 Japan .
- 62-41506 5/1989 Japan .
- 62-41508 5/1989 Japan .
- 62-41509 5/1989 Japan .
- 63-954 8/1991 Japan .
- 63-7916 8/1991 Japan .
- 1-11317 8/1991 Japan .
- 63-34471 8/1991 Japan .

OTHER PUBLICATIONS

- Popular Photography, Dec. 1988, p. 134, (Fuji's 35mm Disposable Camera).
- Popular Photography, Dec. 1988, p. 134, (Fuji's 35mm Disposable Camera).

Primary Examiner—Melvin B. Feifer
Assistant Examiner—Adir Aronovich
Attorney, Agent, or Firm—Young & Thompson

[57] CLAIM

The ornamental design for a single use camera, as shown.

DESCRIPTION

FIG. 1 is a top, front and side perspective view of a single use camera showing my new design;
 FIG. 2 is a front elevational view thereof;
 FIG. 3 is a rear elevational view thereof;
 FIG. 4 is a top plan view thereof;
 FIG. 5 is a bottom plan view thereof;
 FIG. 6 is an end elevational view thereof from the left of FIG. 2; and,
 FIG. 7 is an end elevational view thereof from the right of FIG. 2.

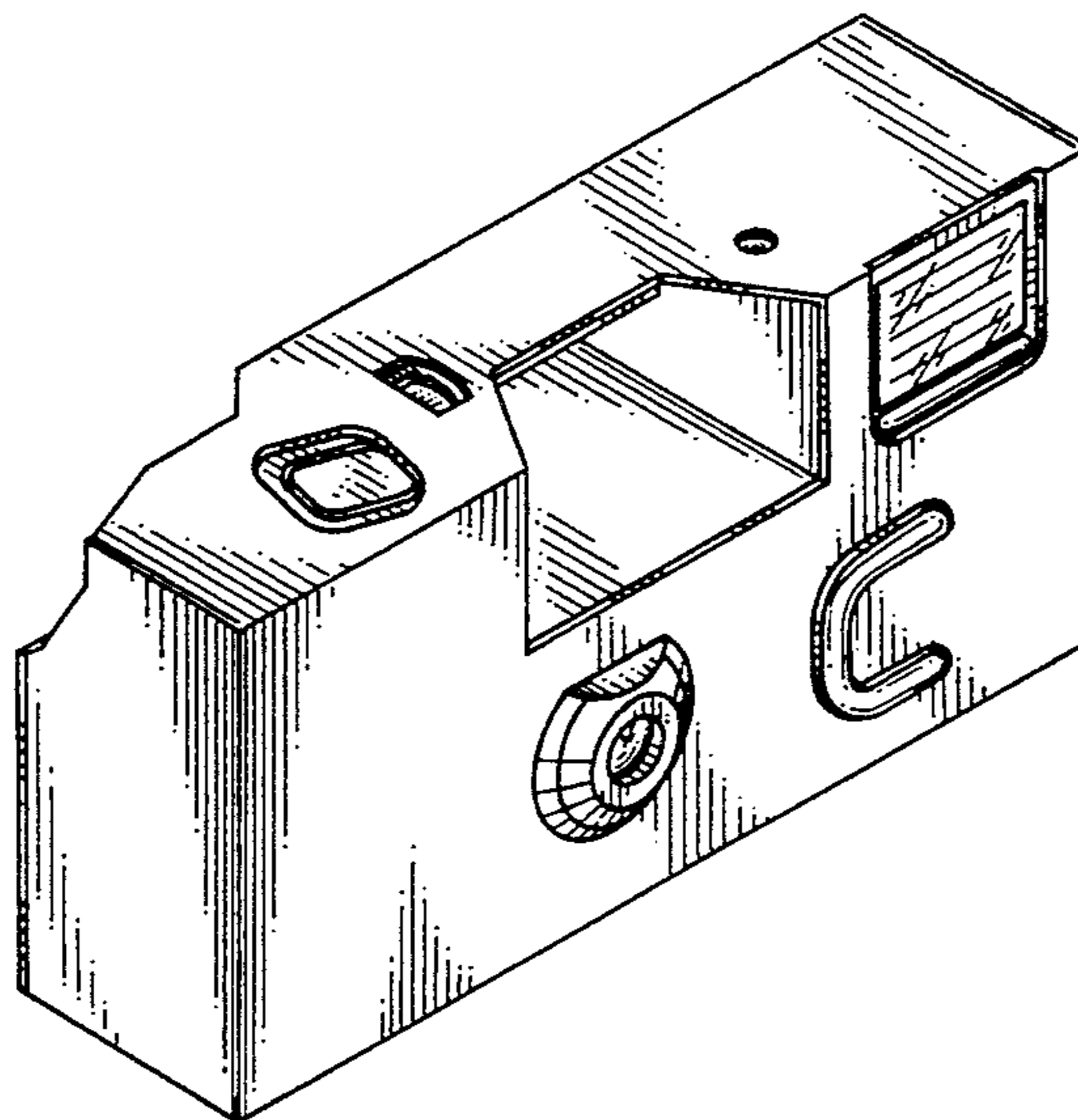


FIG. 1

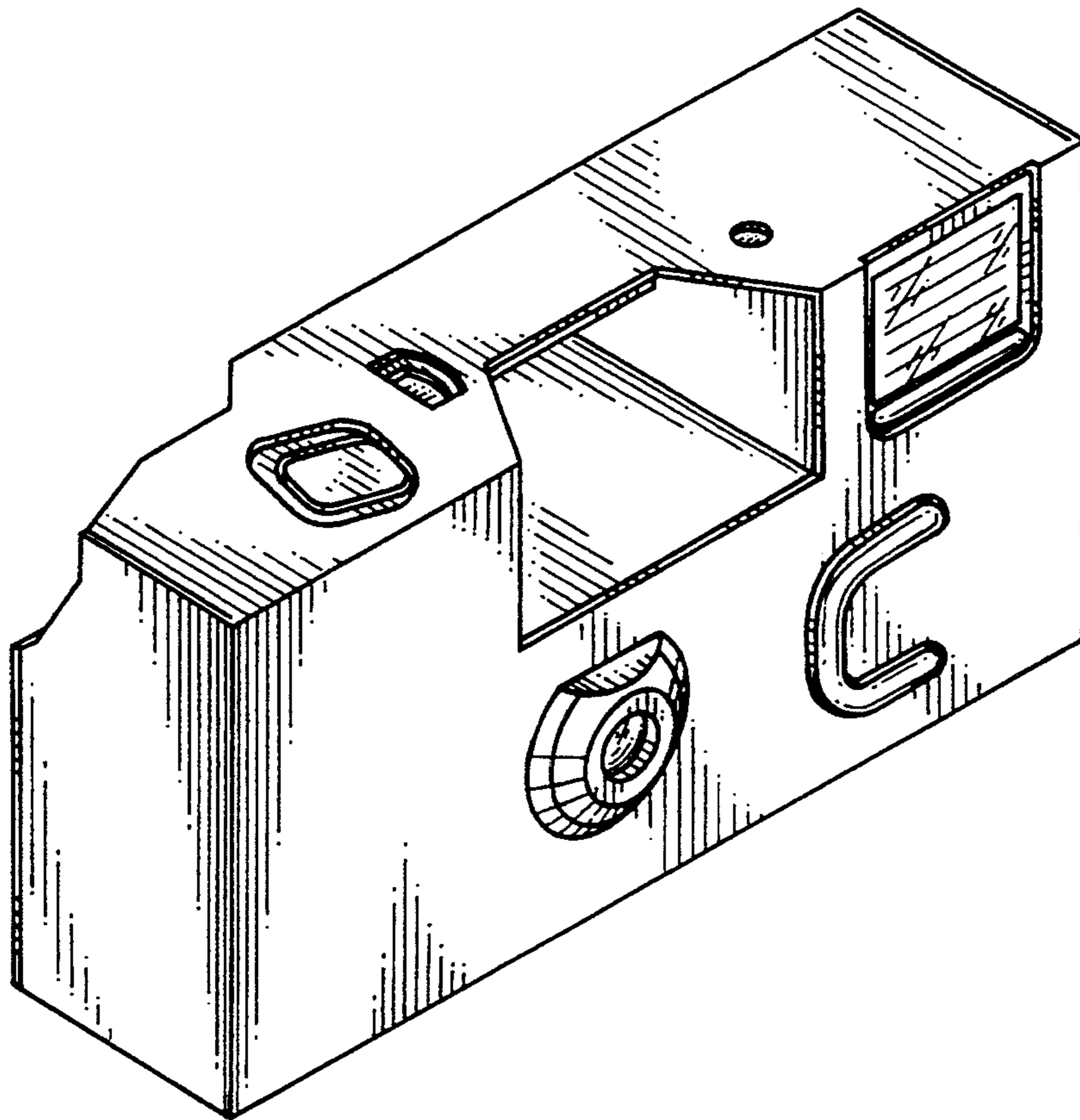


FIG. 2

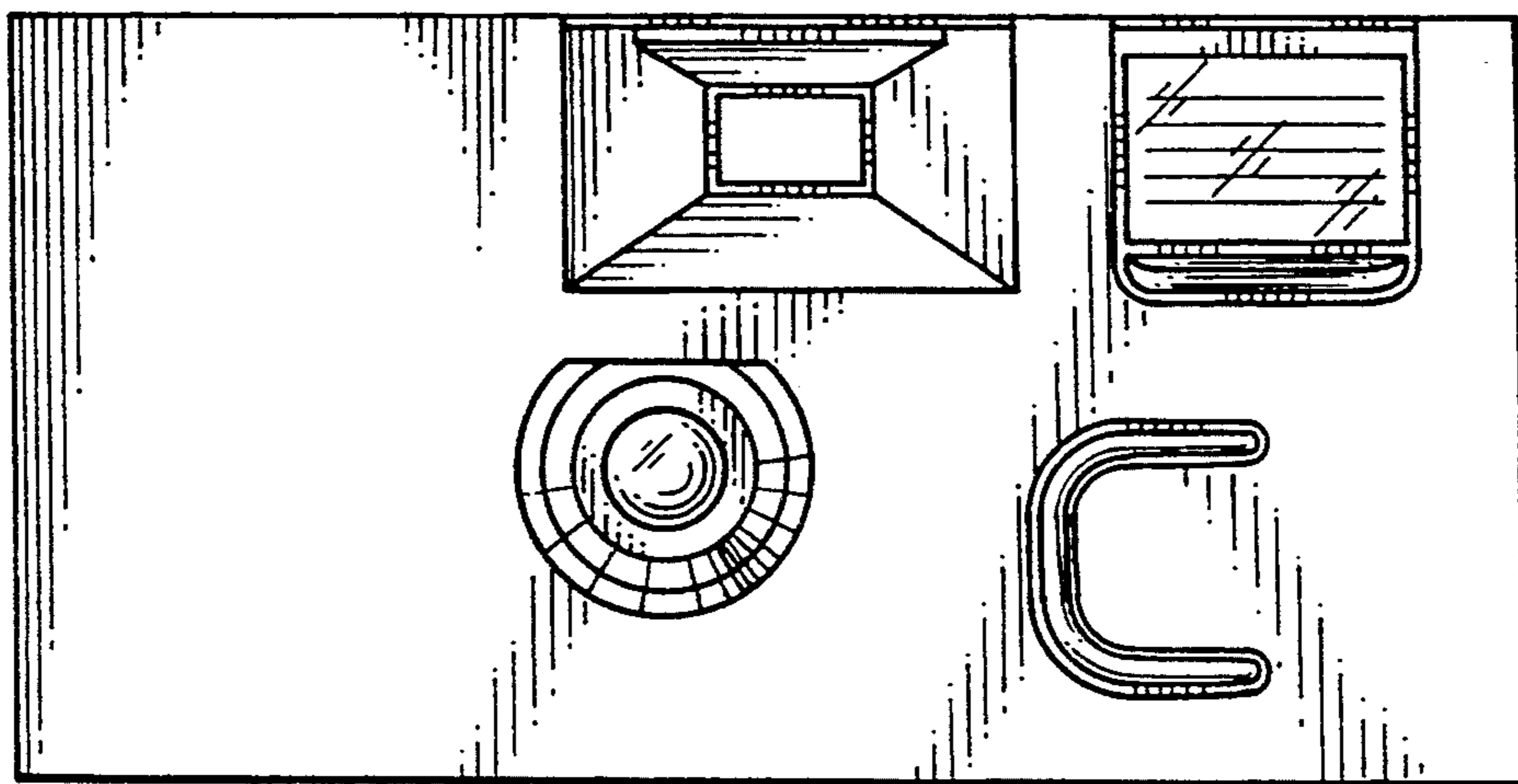


FIG. 3

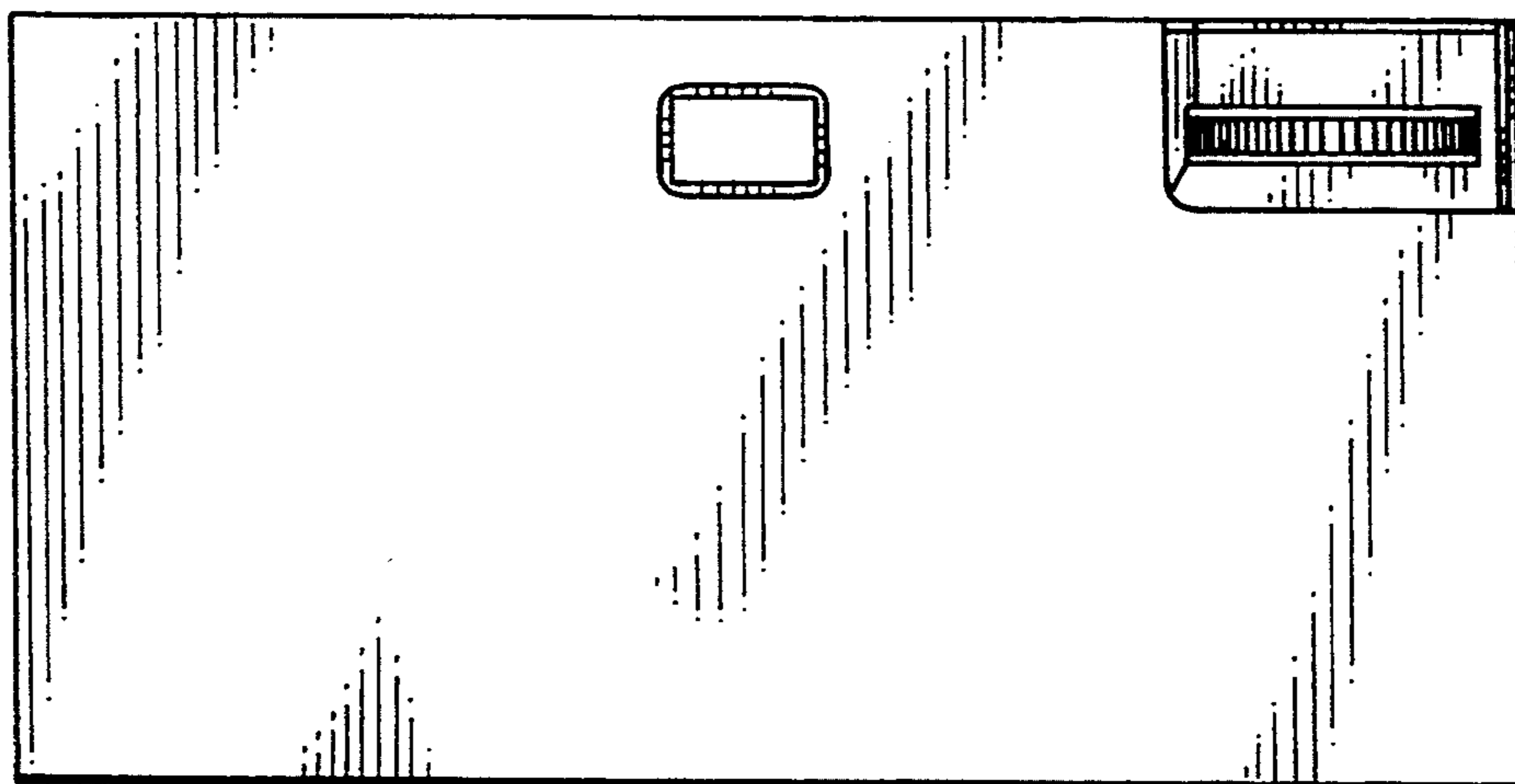


FIG. 4

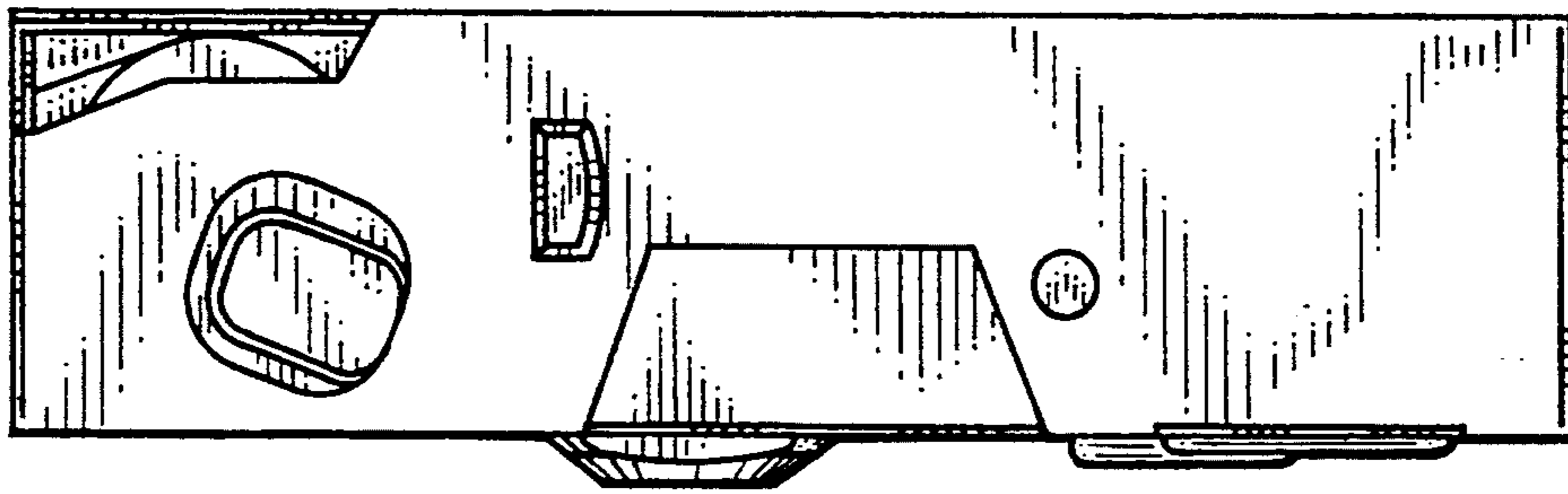


FIG. 5

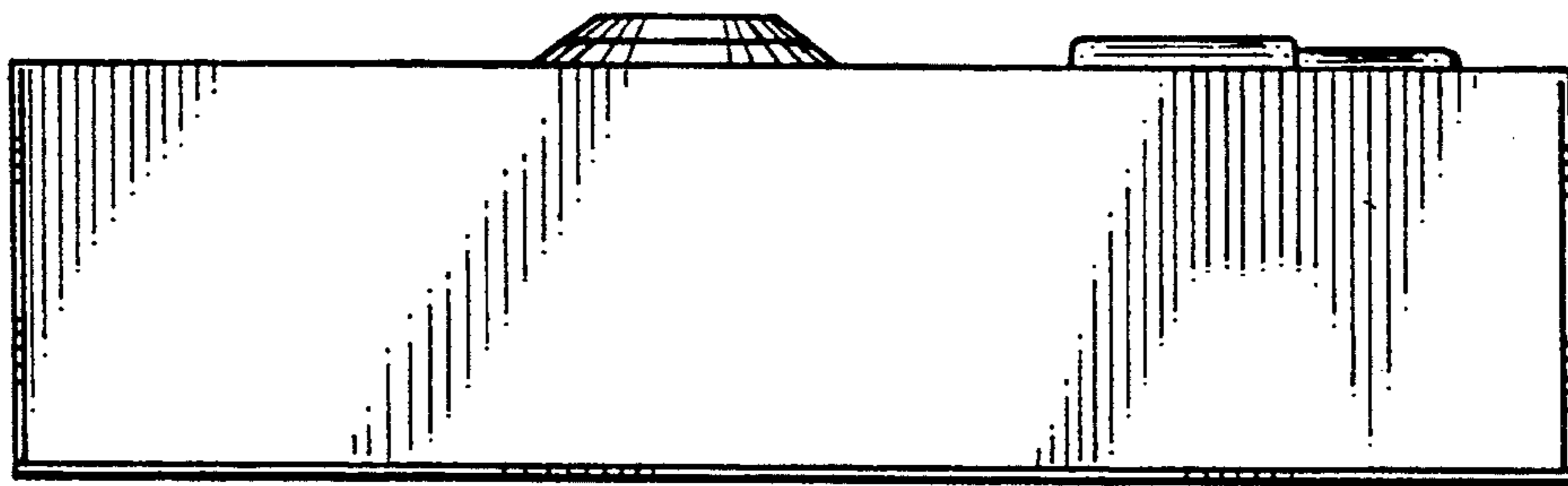


FIG. 6

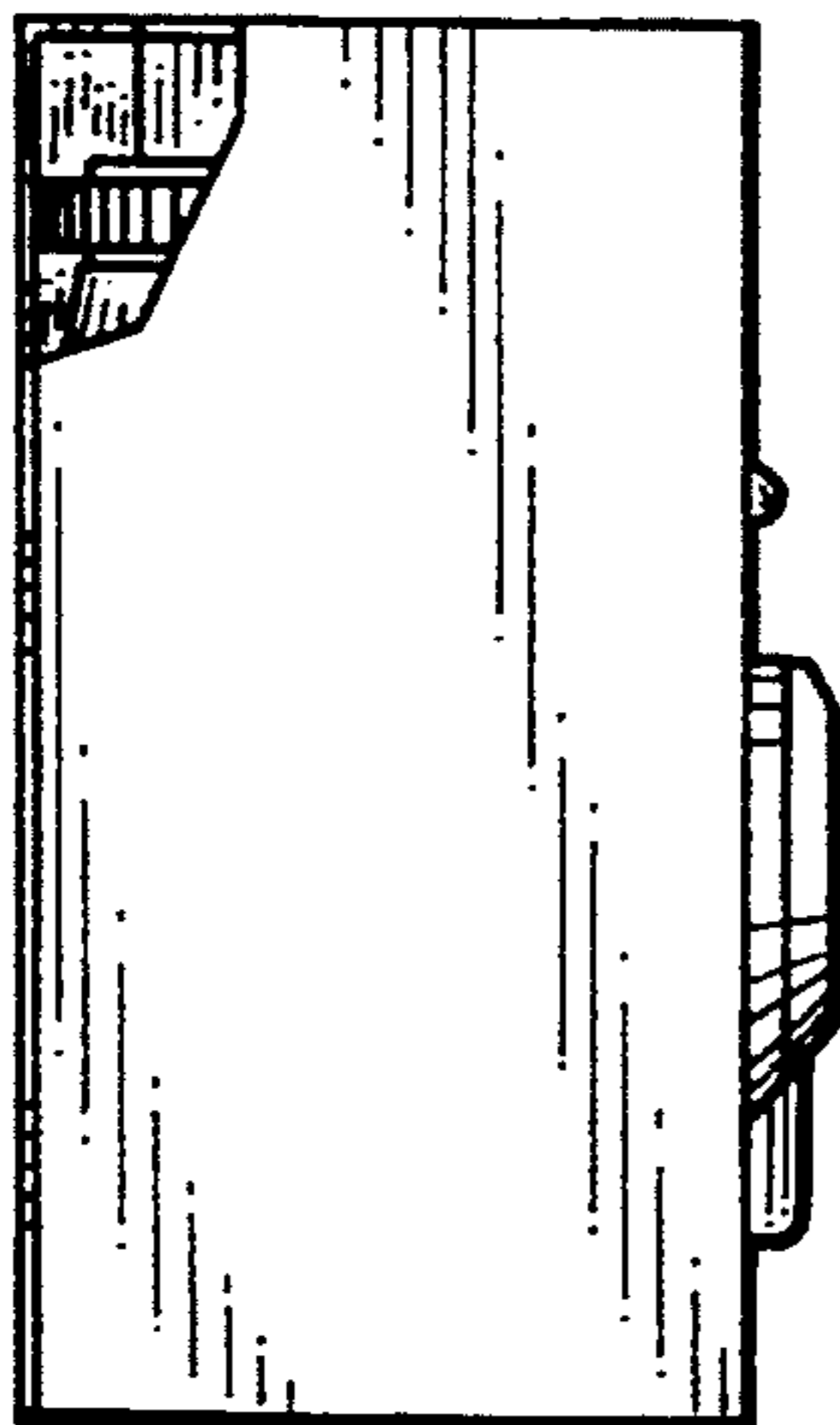


FIG. 7

