



US00D356097S

# United States Patent [19]

[11] Patent Number: **Des. 356,097**

Sakata et al.

[45] Date of Patent: **\*\* Mar. 7, 1995**

[54] **COMBINED MONITOR, VIDEO TAPE RECORDER AND CAMERA**

### OTHER PUBLICATIONS

Video Review Aug. 1989 p. 28 (JVS's Camera with LCD Screen).

[75] Inventors: **Fumitoshi Sakata**, Mahwah, N.J.; **Tetsuya Tsujimura**, Tochigi, Japan; **Katsuhiko Iida**, Osaka, Japan; **Toru Ootani**, Ibaragi, Japan

*Primary Examiner*—Bernard Ansher  
*Assistant Examiner*—Adir Aronovich  
*Attorney, Agent, or Firm*—Nixon & Vanderhye

[73] Assignee: **Sharp Kabushiki Kaisha**, Osaka, Japan

### [57] CLAIM

The ornamental design for a combined monitor, video tape recorder and camera, as shown and described.

[\*\*] Term: **14 Years**

### DESCRIPTION

[21] Appl. No.: **6,124**

FIG. 1 is a top, front and left side perspective view of a combined monitor, video tape recorder and camera showing our new design;

[22] Filed: **Mar. 19, 1993**

FIG. 2 is a top, rear and left side perspective view thereof;

[52] U.S. Cl. .... **D16/202**

FIG. 3 is a top plan view thereof;

[58] Field of Search ..... **D16/200-205, D16/208; D14/113; 348/373-376; 358/906, 909; 354/75, 76**

FIG. 4 is a front elevational view thereof;

FIG. 5 is a right side elevational view thereof;

FIG. 6 is a left side elevational view thereof;

FIG. 7 is a rear elevational view thereof;

FIG. 8 is a bottom plan view thereof;

FIG. 9 is a top, front and left side perspective view thereof with the monitor, video tape recorder and camera rotatable 180° relative to the camera;

### [56] References Cited

#### U.S. PATENT DOCUMENTS

- D. 328,292 7/1992 Akita et al. .... D14/113
- D. 330,383 10/1992 Uchikawa et al. .... D16/202
- 4,303,322 12/1981 Someya ..... 348/375
- 4,873,576 10/1989 Hattori et al. .... 348/373

FIG. 10 is a top plan view of the combined monitor, video tape recorder and camera illustrated in FIG. 9;

FIG. 11 is a front elevational view thereof;

FIG. 12 is a right side elevational view thereof;

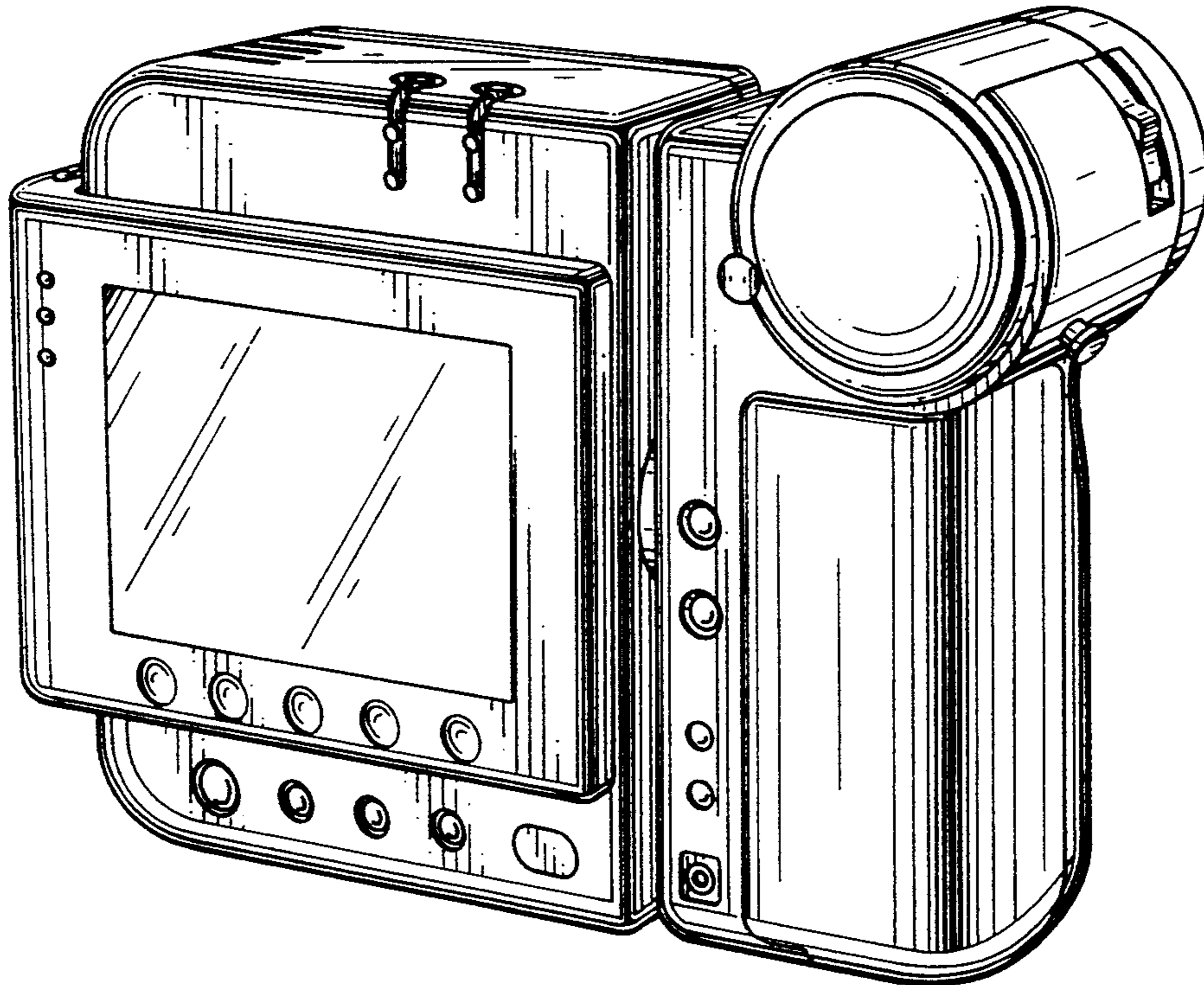
FIG. 13 is a left side elevational view thereof;

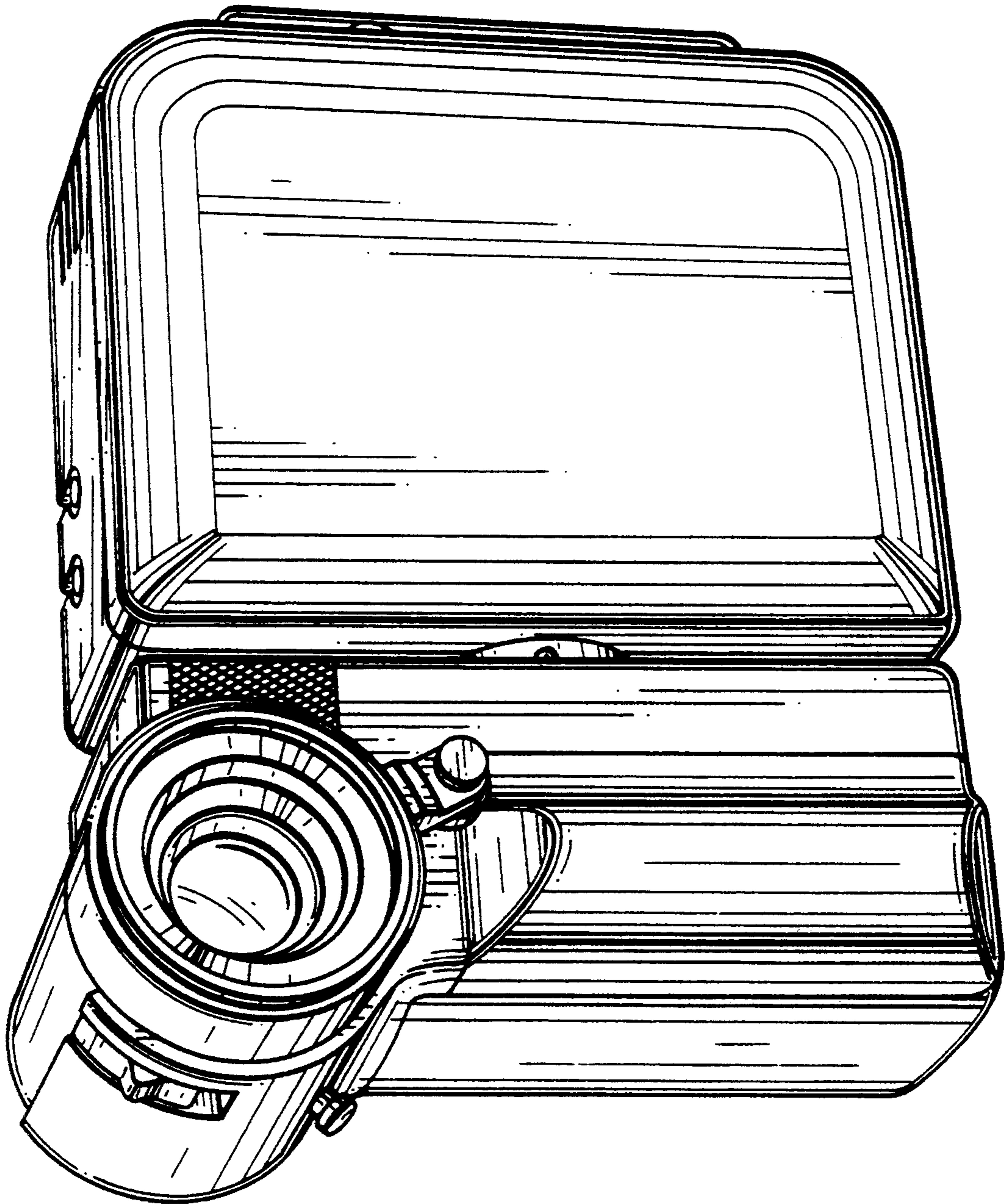
FIG. 14 is a rear elevational view thereof; and,

FIG. 15 is a bottom plan view thereof.

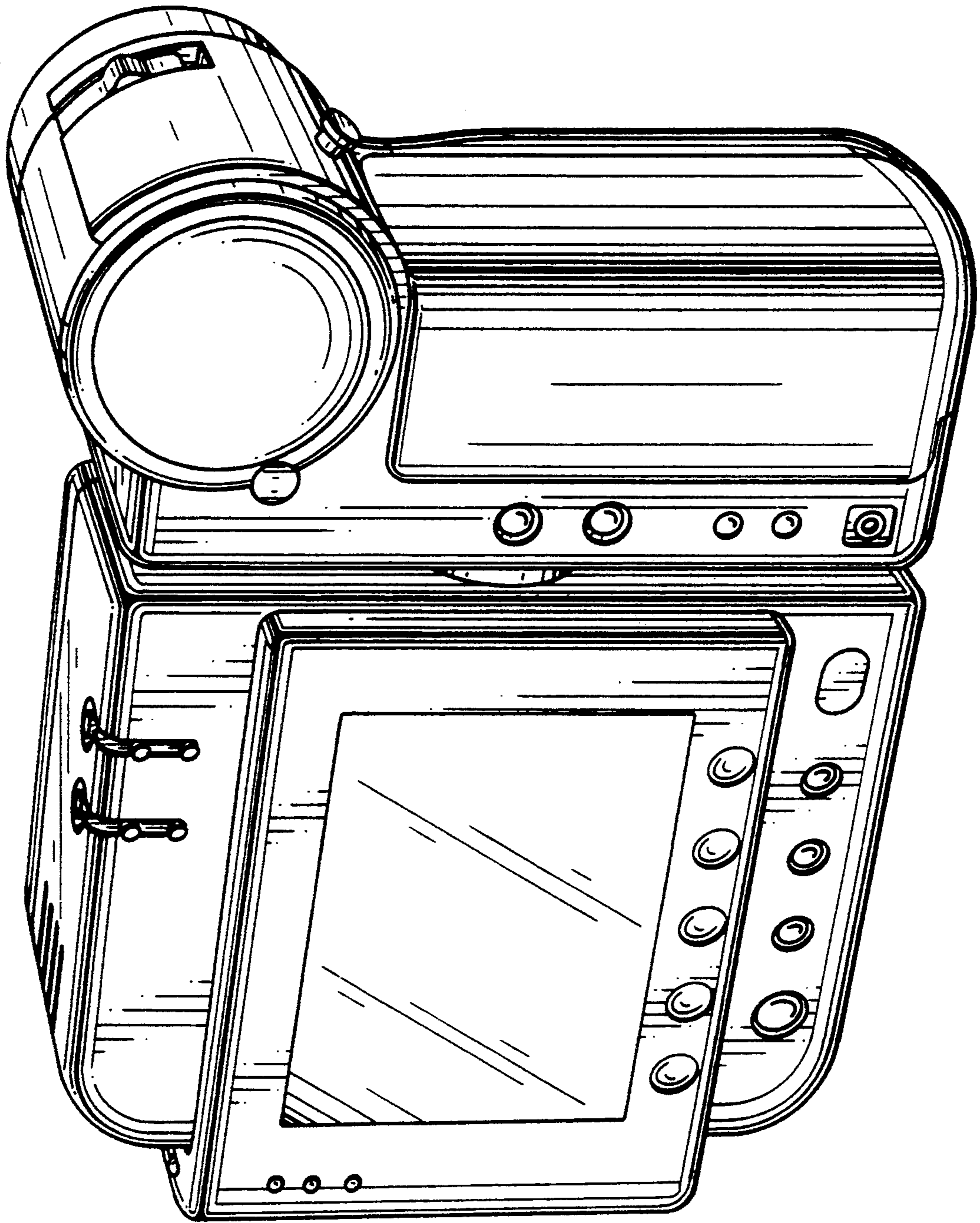
#### FOREIGN PATENT DOCUMENTS

- 57-127978 8/1982 Japan ..... 358/906



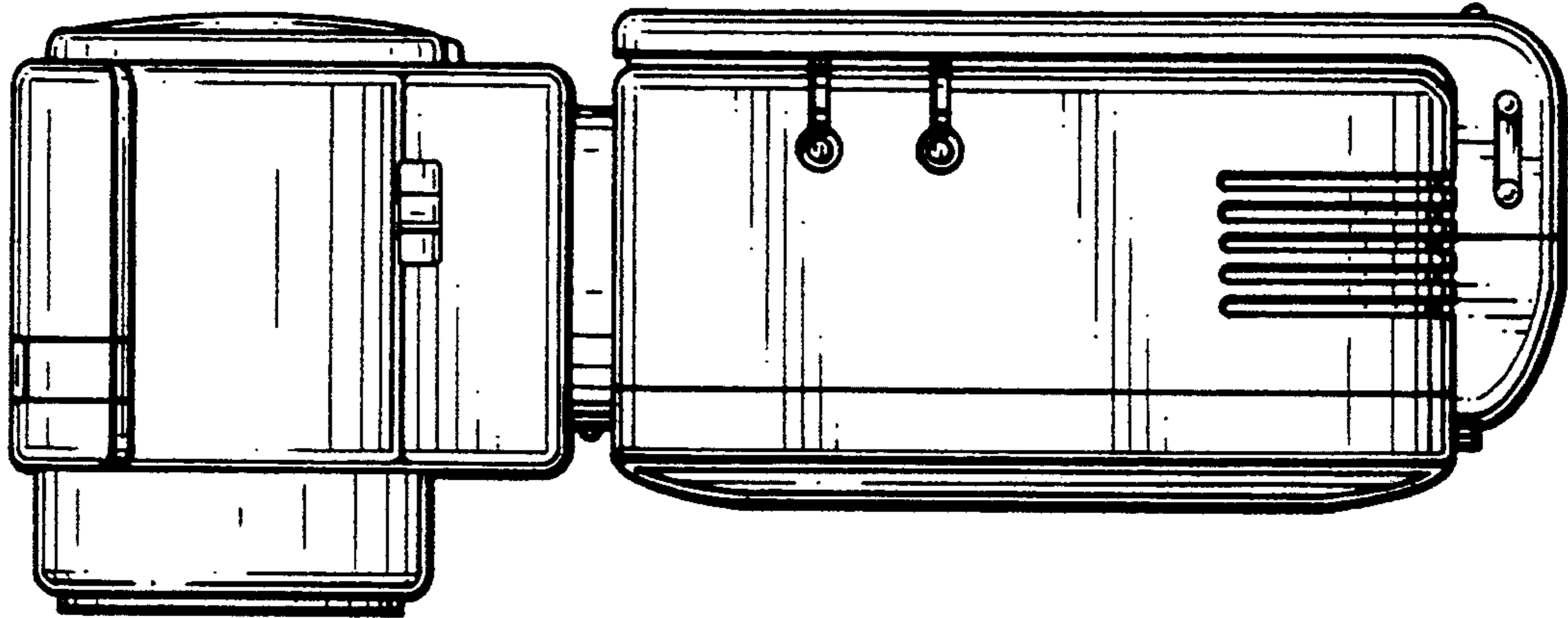


**FIG. 1**

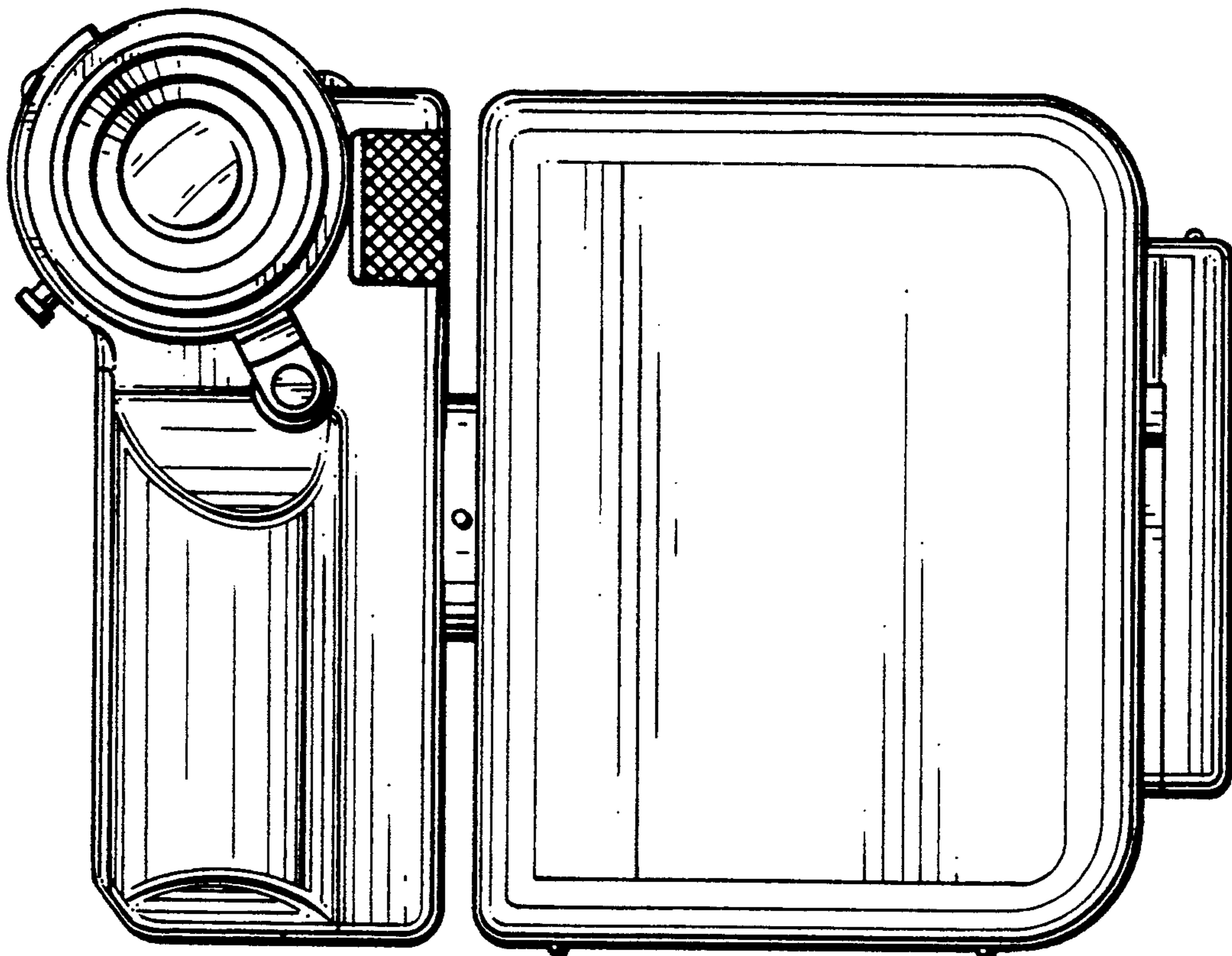


**FIG. 2**

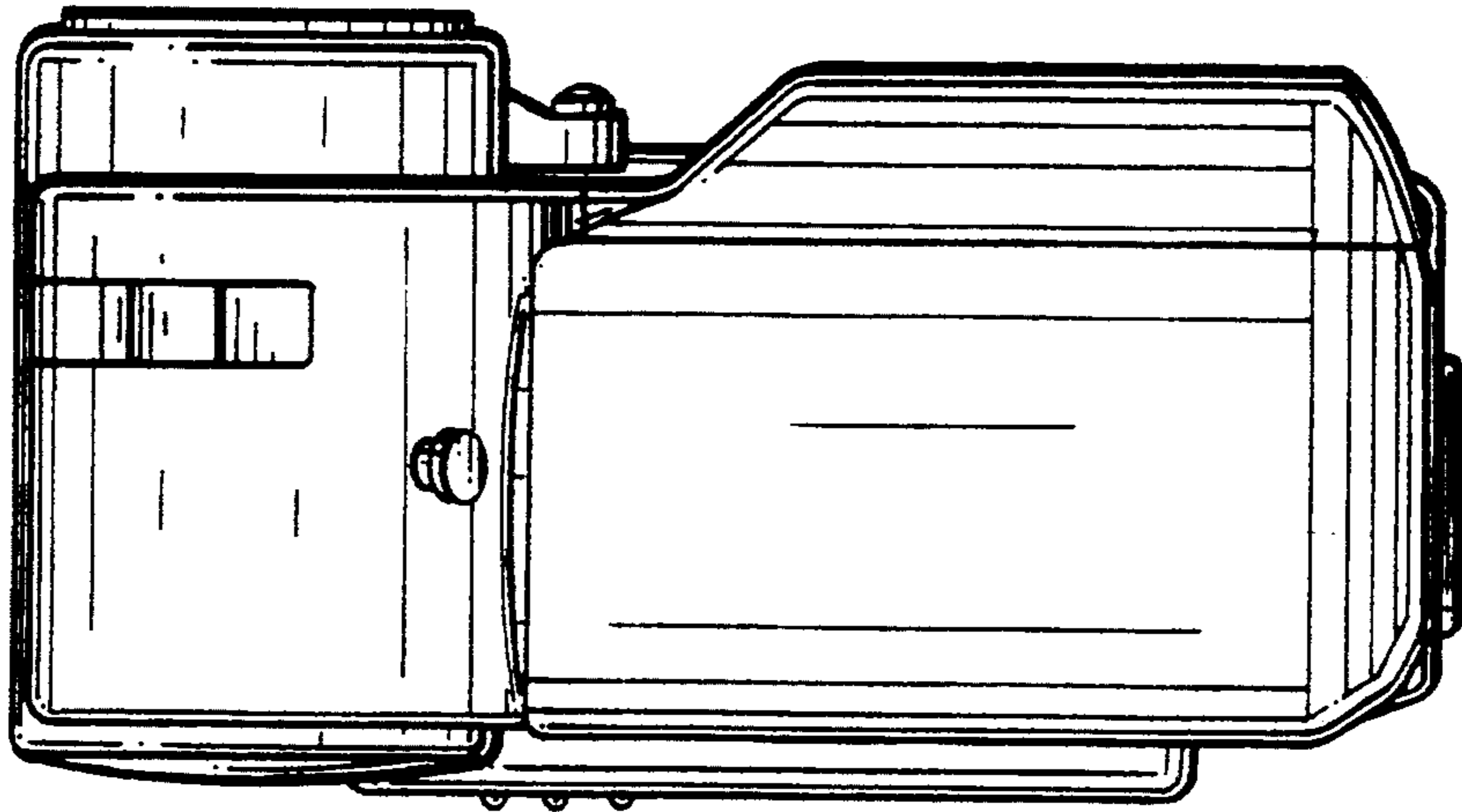
**FIG. 3**



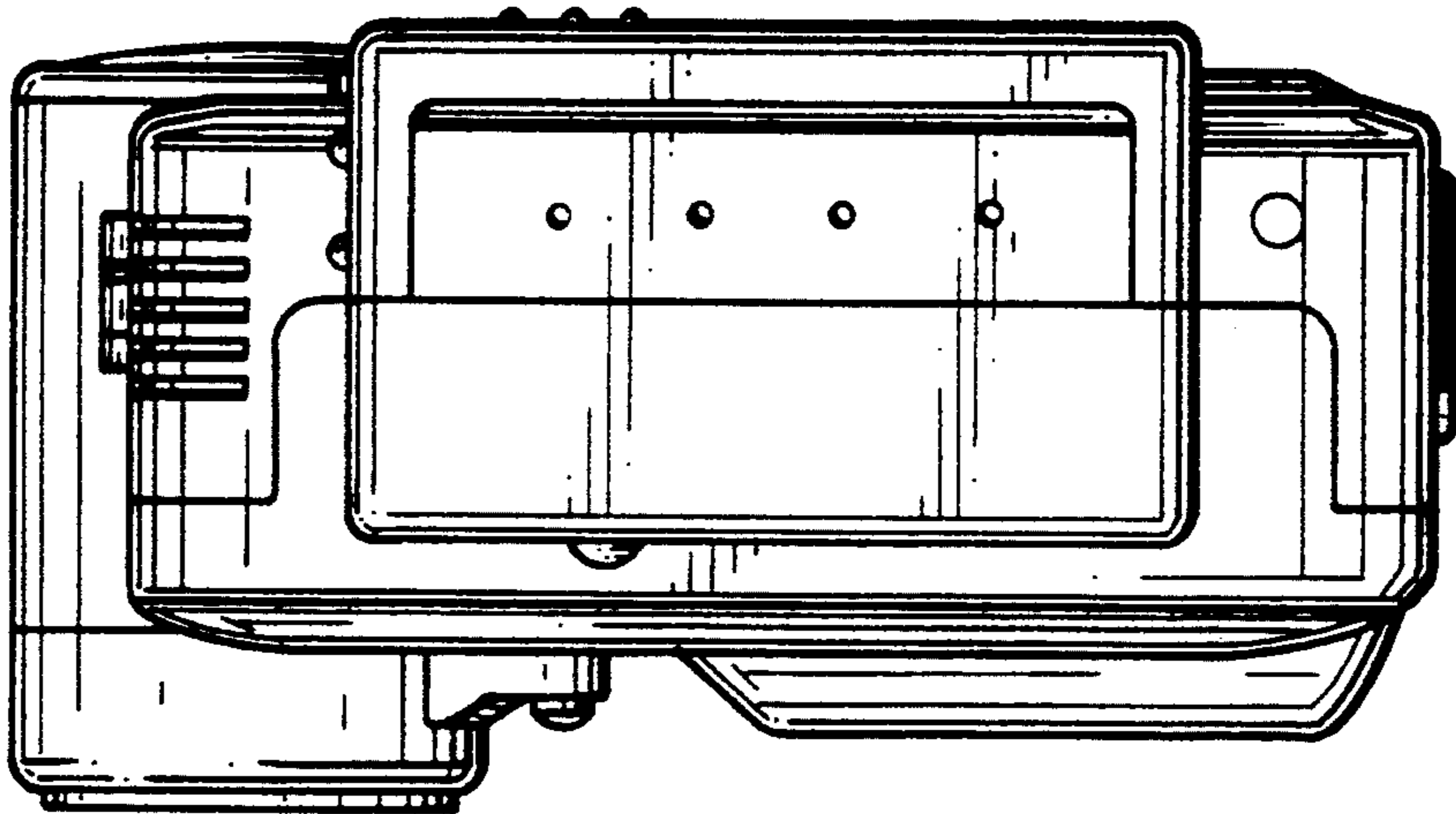
**FIG. 4**



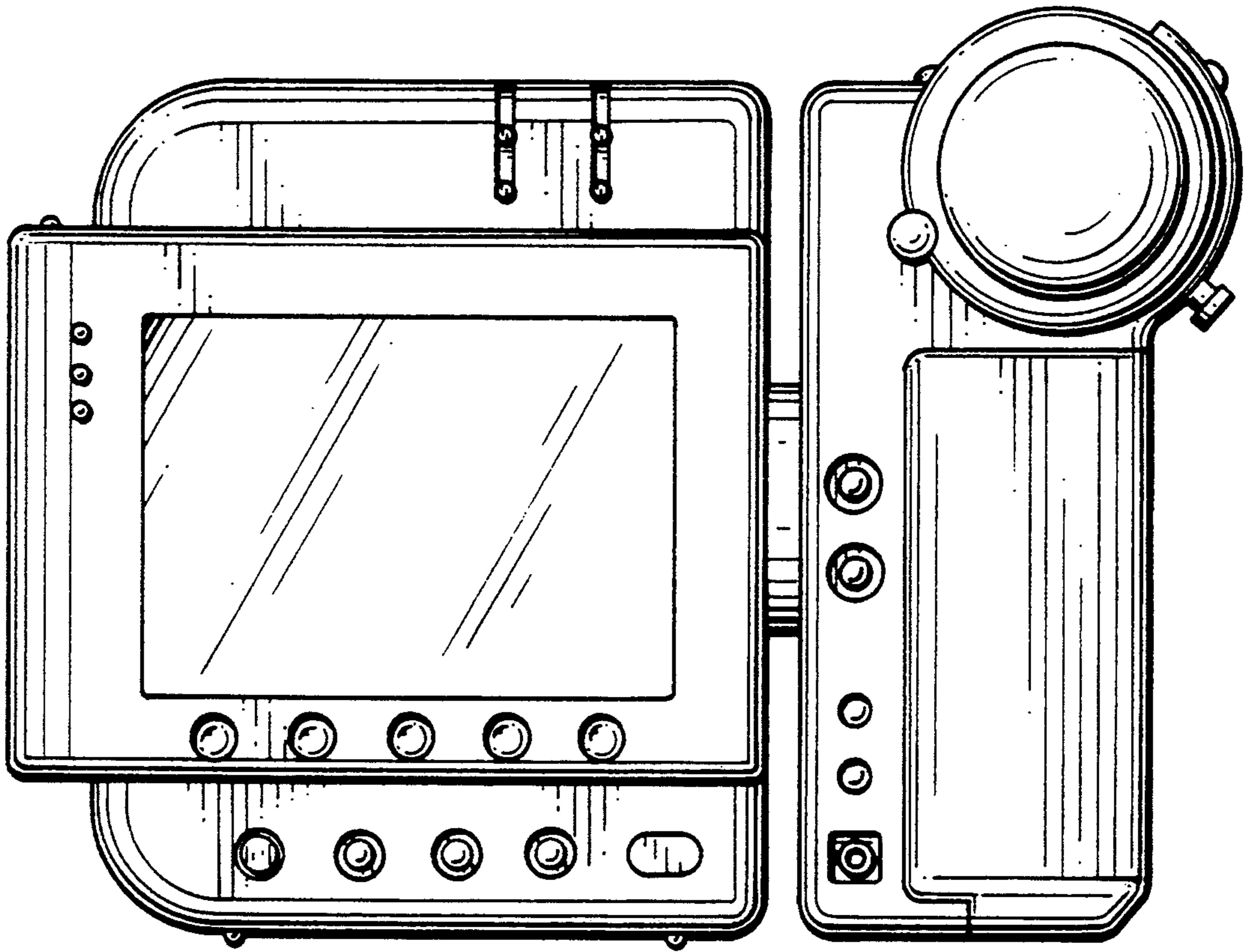
**FIG. 6**



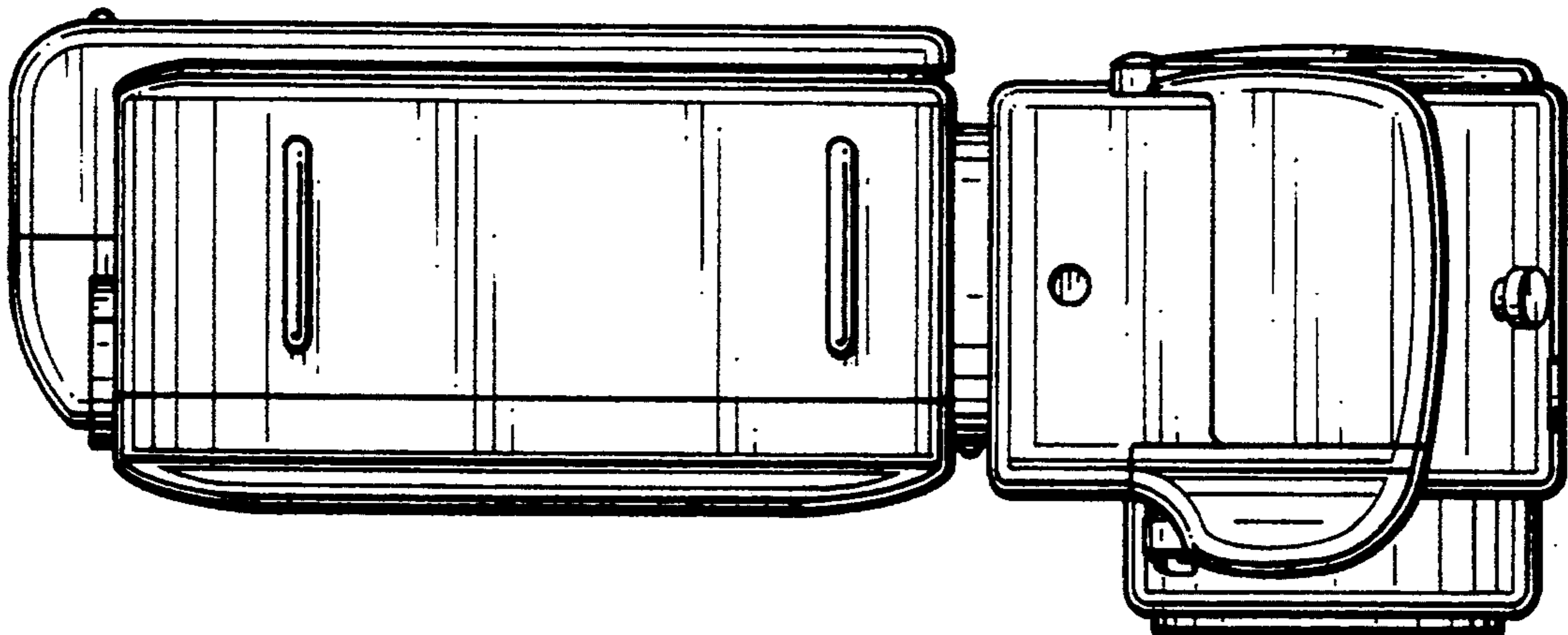
**FIG. 5**

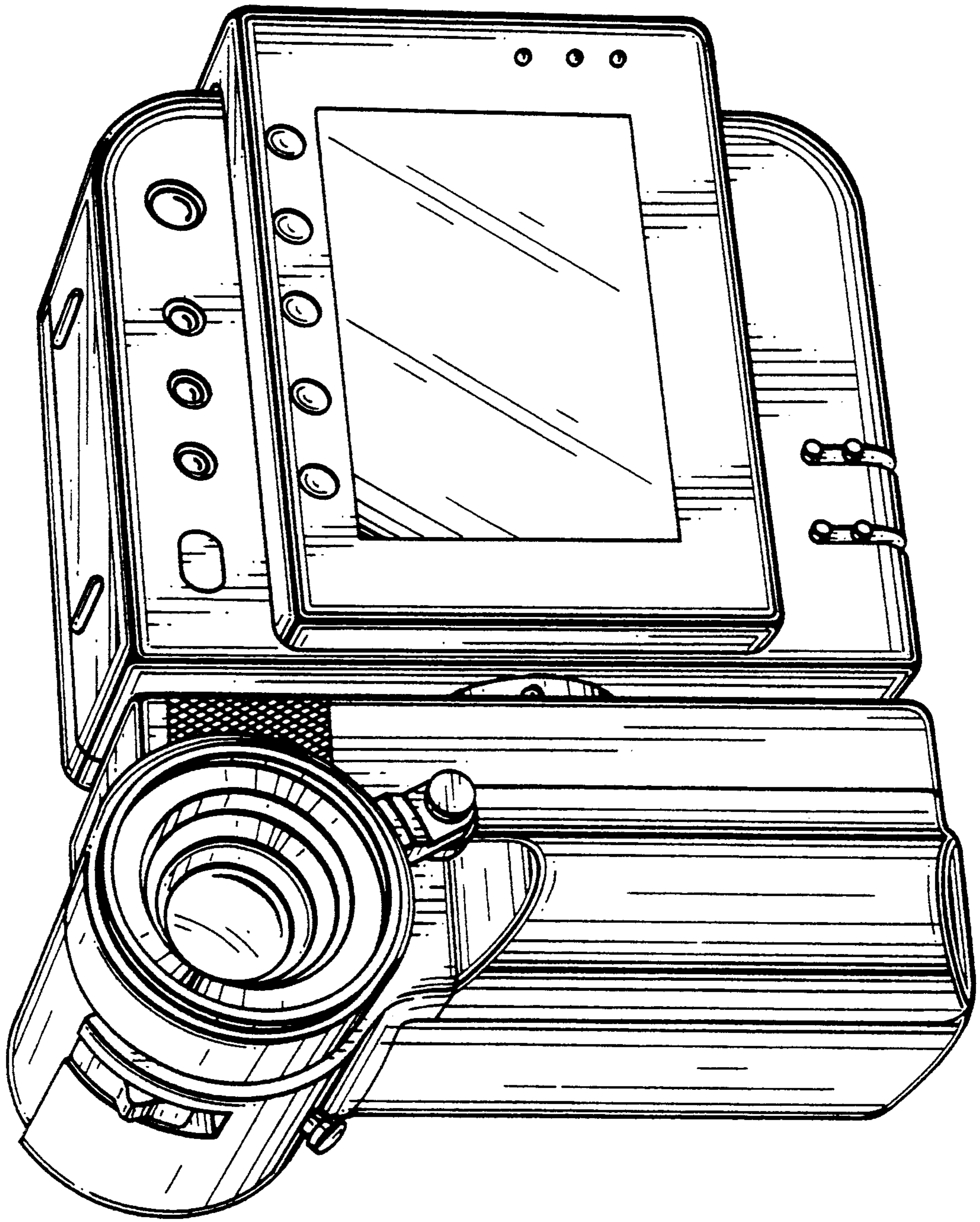


**FIG. 7**



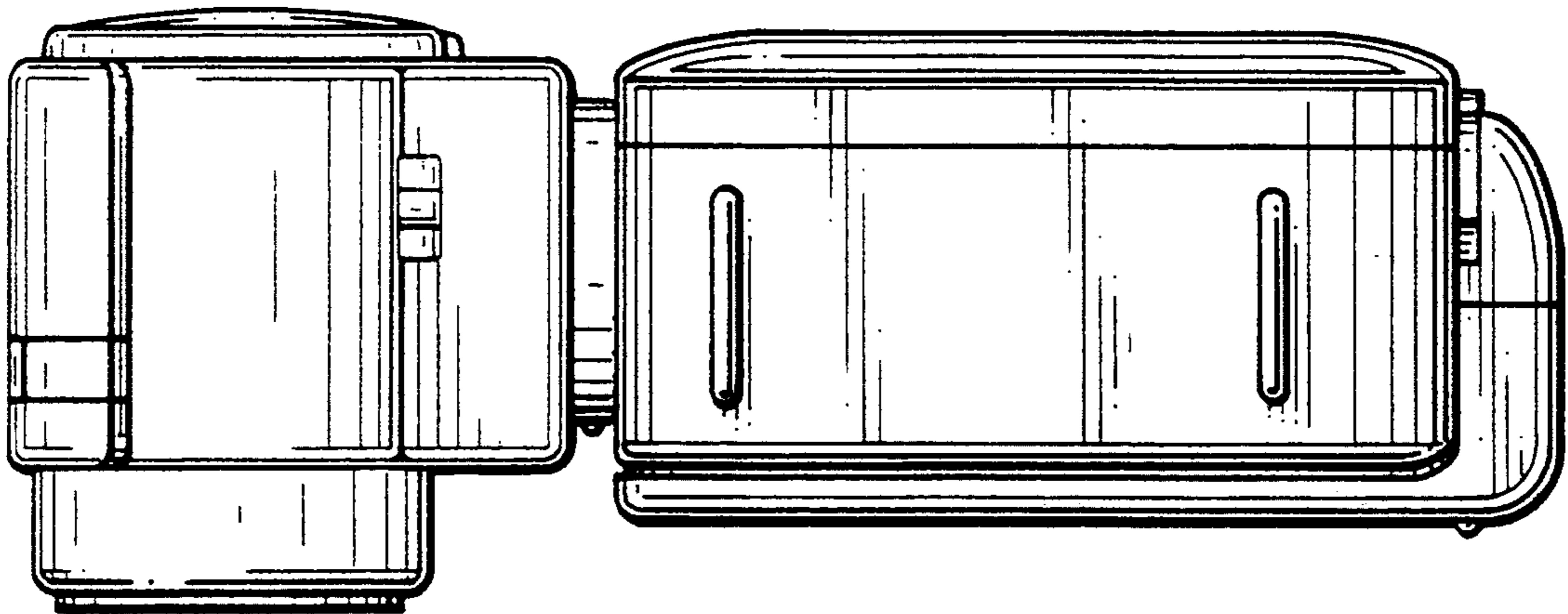
**FIG. 8**



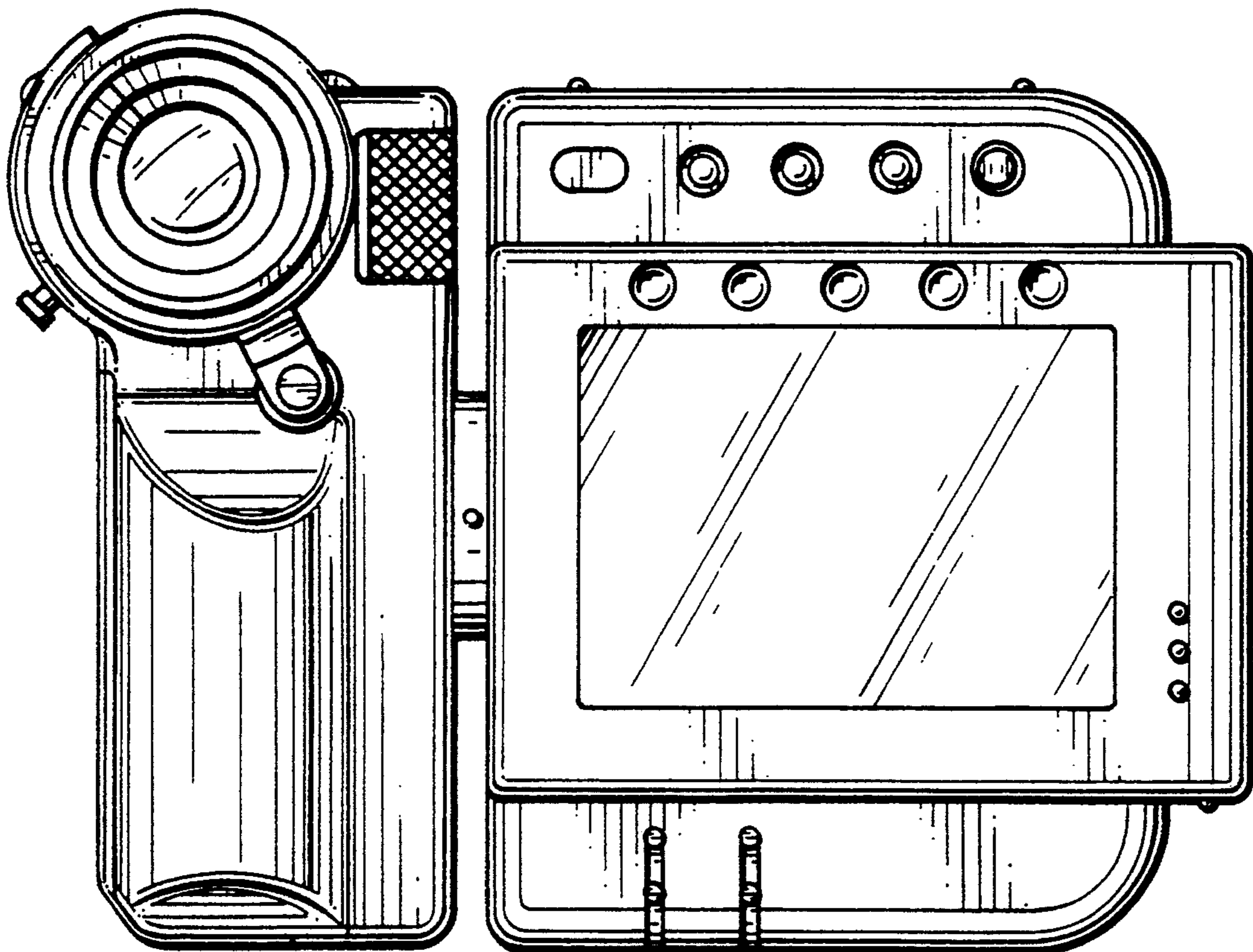


**FIG. 9**

**FIG. 10**

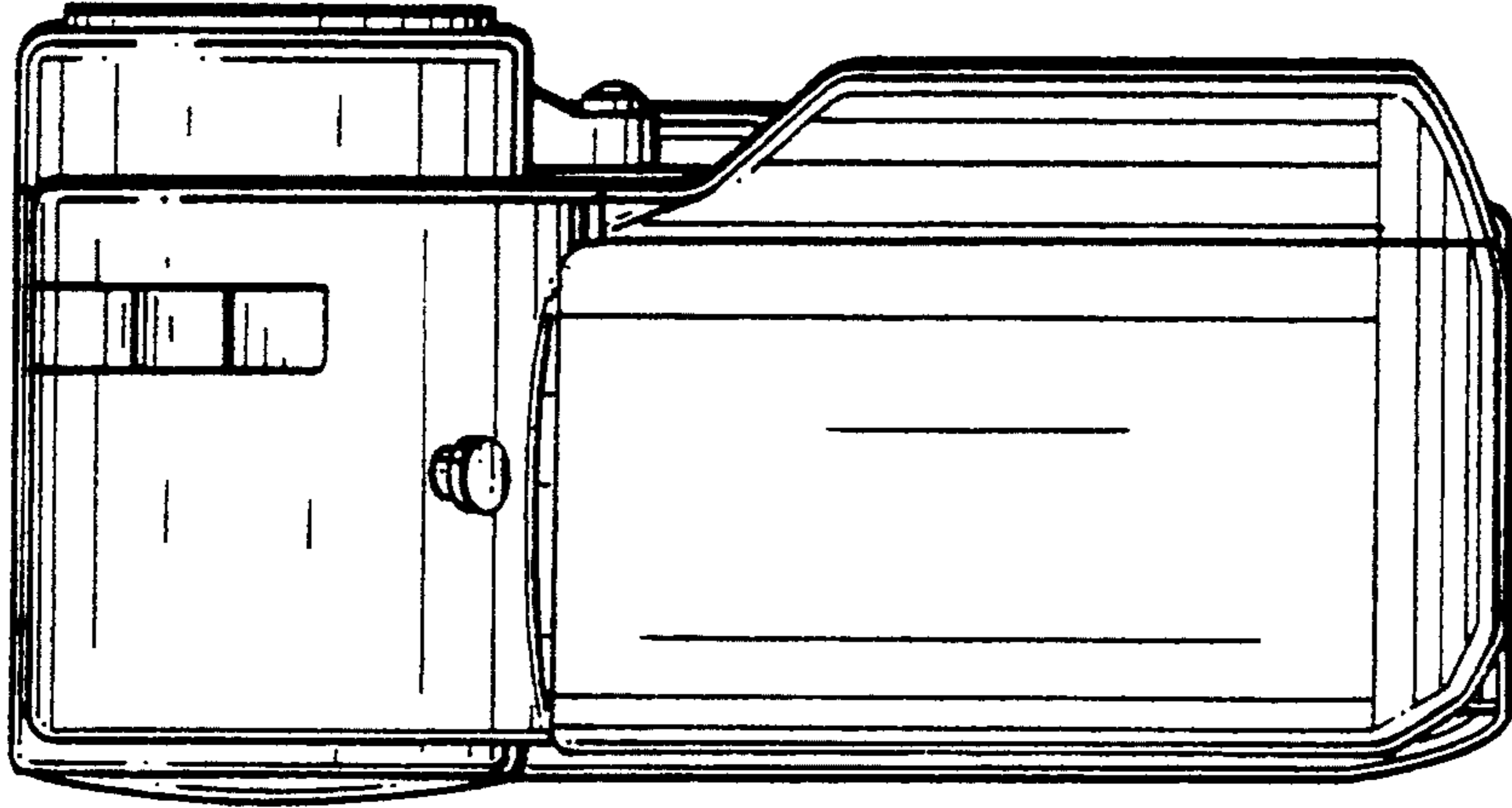


**FIG. 11**

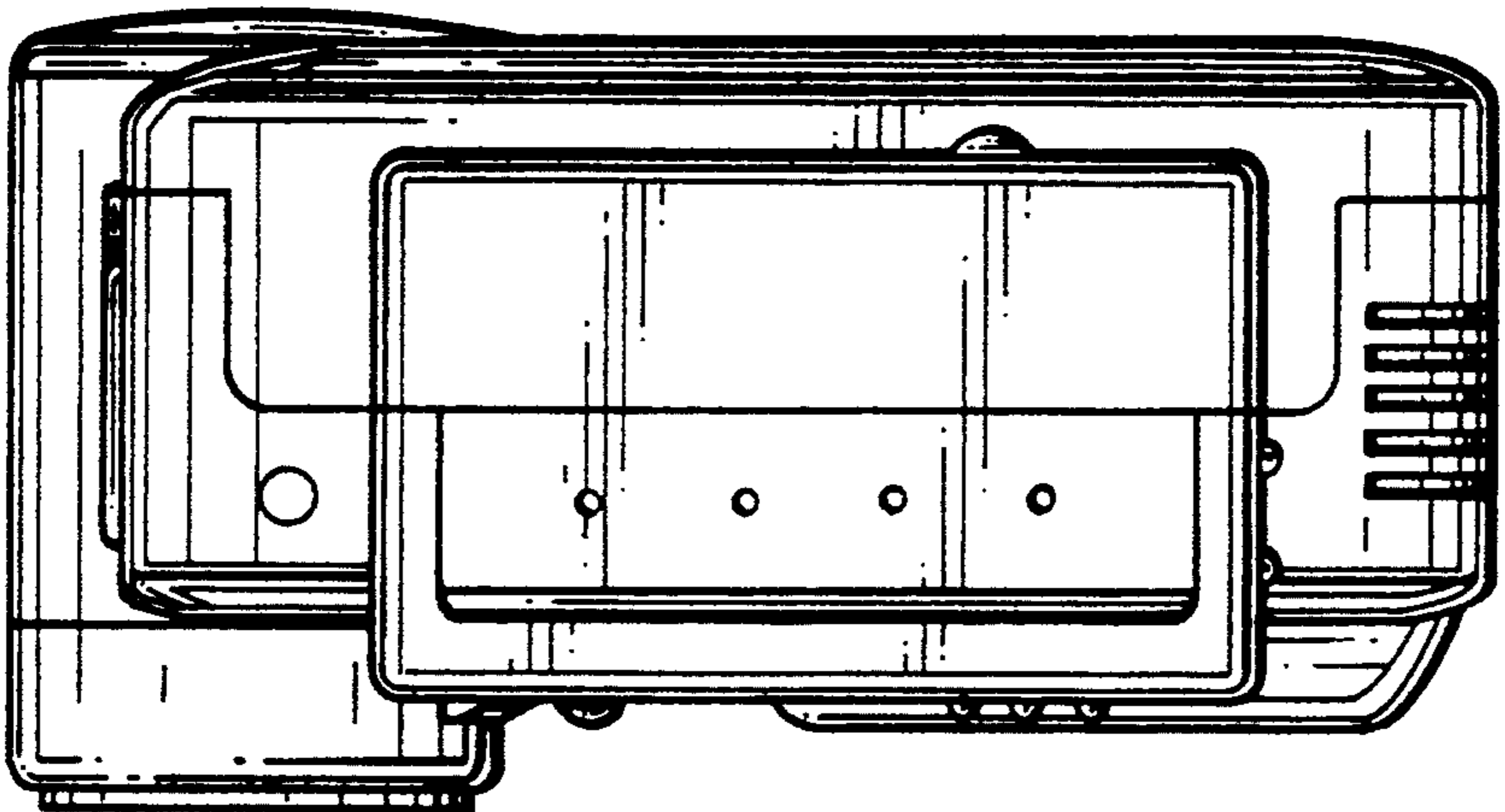




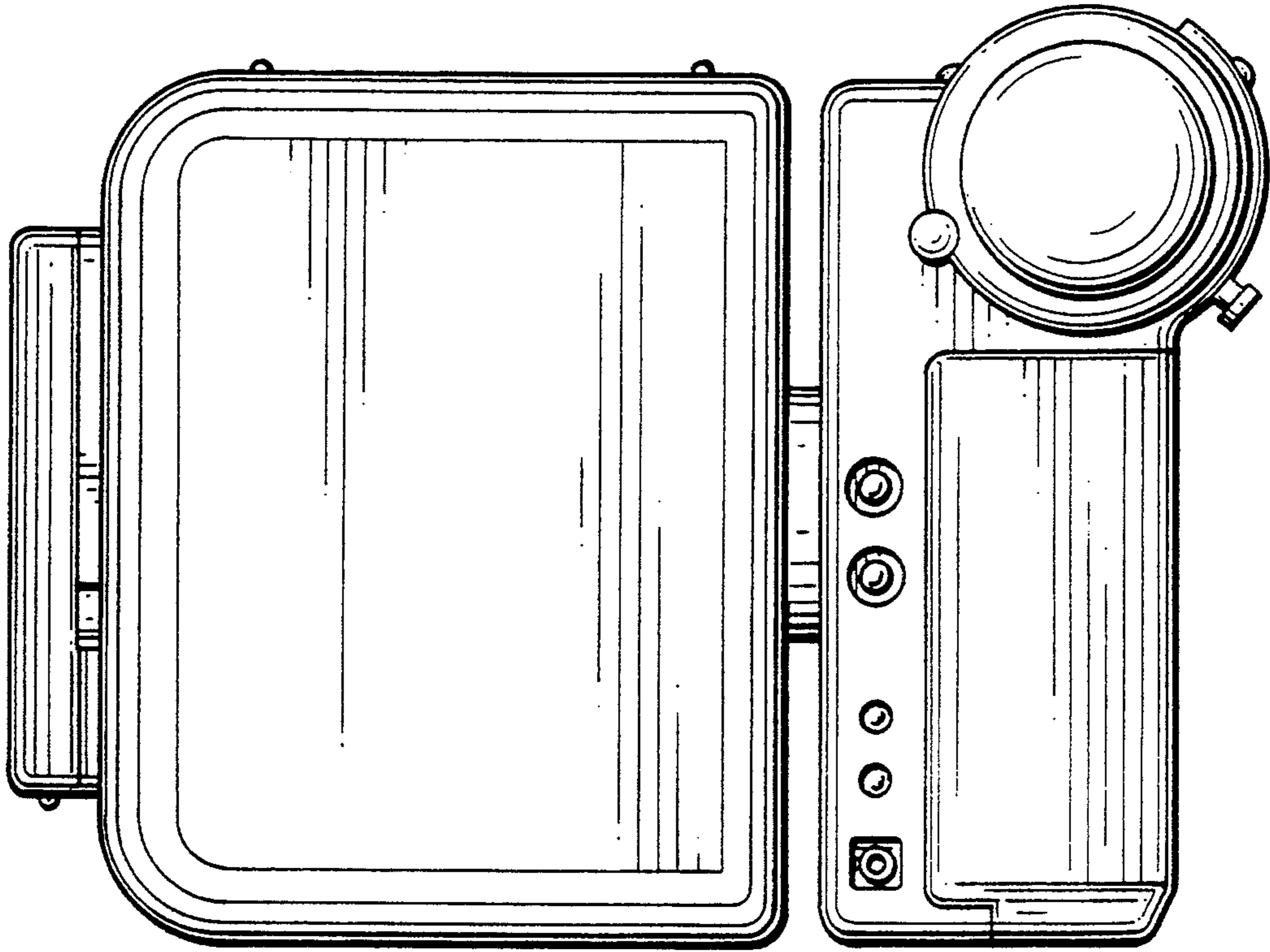
*FIG. 13*



*FIG. 12*



**FIG. 14**



**FIG. 15**

