



US00D356096S

# United States Patent [19]

[11] Patent Number: **Des. 356,096**

Barros et al.

[45] Date of Patent: **\*\* Mar. 7, 1995**

[54] **WINDING MACHINE PNEUMATIC RETROFIT HEAD**

4,324,368	4/1982	Inouye et al. ....	242/18 PW
4,466,468	8/1984	Brouwer et al. ....	139/435.4
5,110,061	5/1992	Berry .....	242/47

[75] Inventors: **Michael Barros, Cumberland; Charles E. Kay, Pawtucket, both of R.I.**

*Primary Examiner*—Alan P. Douglas  
*Assistant Examiner*—Antoine D. Davis  
*Attorney, Agent, or Firm*—Salter & Michaelson

[73] Assignee: **Wardwell Braiding Machine Company, Central Falls, R.I.**

[57] **CLAIM**

[\*\*] Term: **14 Years**

The ornamental design for a winding machine pneumatic retrofit head, as shown and described.

[21] Appl. No.: **14,583**

**DESCRIPTION**

[22] Filed: **Oct. 26, 1993**

[52] U.S. Cl. .... **D15/78; D15/72**

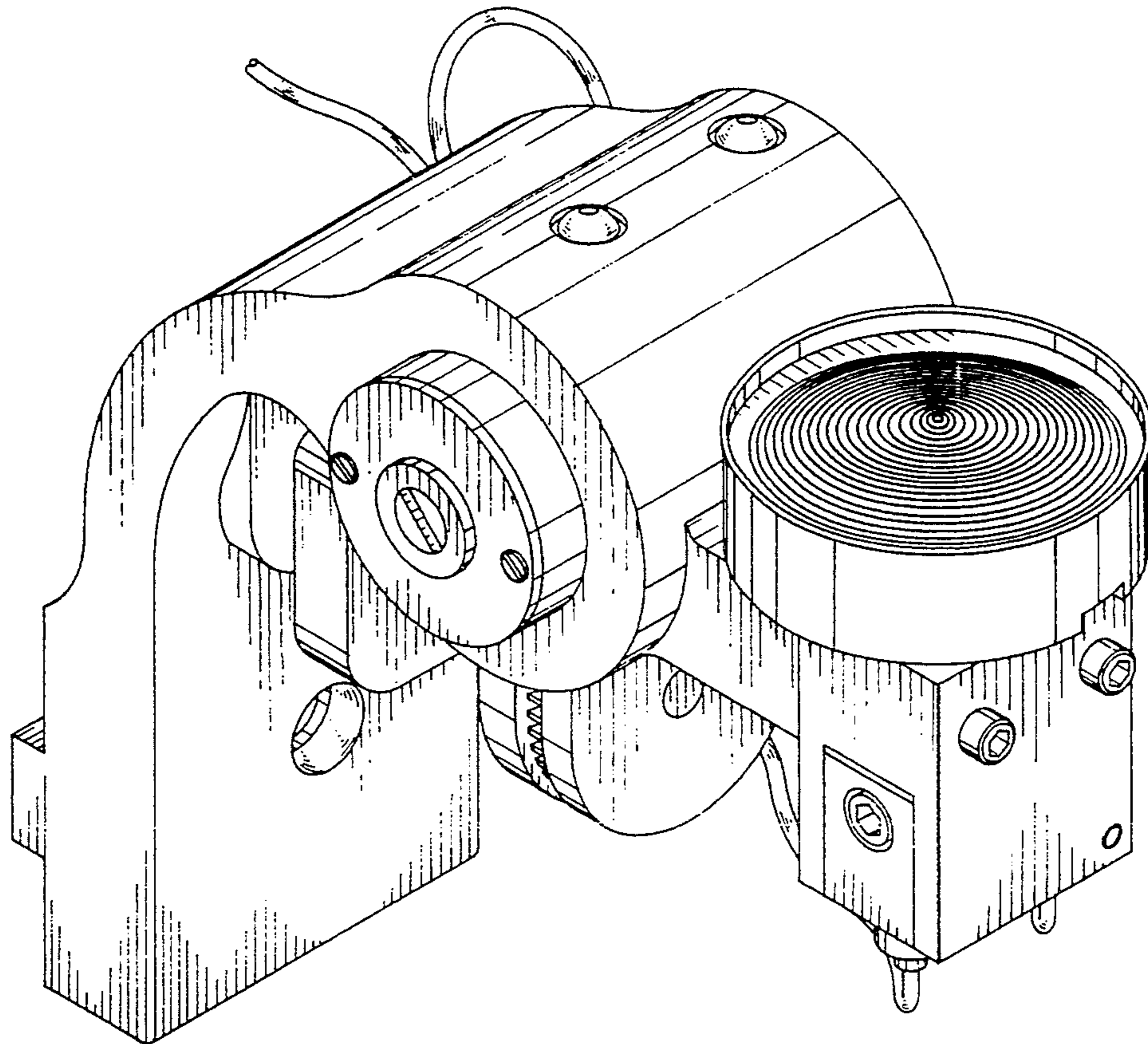
[58] **Field of Search** ..... D15/69, 72, 76, 78, D15/199; 242/7.11, 158 S, 158 F, 67.1 R, 67.2, 67.3 R, 68, 74, 47, 47.03, 54 R, 16, 18 PW, 18 EW, 7.06-7.09; 148/92.2, 92.1, 716, 93.6; 57/17, 18, 19, 80, 264, 265, 58.7, 90, 91; 139/435.4

FIG. 1 is a perspective view of a winding machine pneumatic retrofit head showing our new design; FIG. 2 is a perspective view showing the winding machine pneumatic retrofit head in an operating position, the broken line showing of a winding machine pneumatic retrofit head and portions of a winding machine are for illustrative purposes only and forms no part of the claimed design; FIG. 3 is a left side view of the winding machine pneumatic retrofit head; FIG. 4 is a top plan view thereof; FIG. 5 is a front elevational view thereof; FIG. 6 is a right side view thereof; FIG. 7 is a bottom plan view thereof; and, FIG. 8 is a rear elevational view thereof. The cord member of the drawing has been shown broken away for ease of illustration.

[56] **References Cited**

**U.S. PATENT DOCUMENTS**

D. 267,010	11/1982	Jacobsson et al. ....	D15/78
D. 309,315	7/1990	Maina .....	D15/78
D. 309,614	7/1990	Maina .....	D15/78
3,804,347	4/1974	Angst .....	242/7.09
3,805,504	4/1974	Franzen .....	57/261
3,806,051	4/1974	Camardella .....	242/7.11



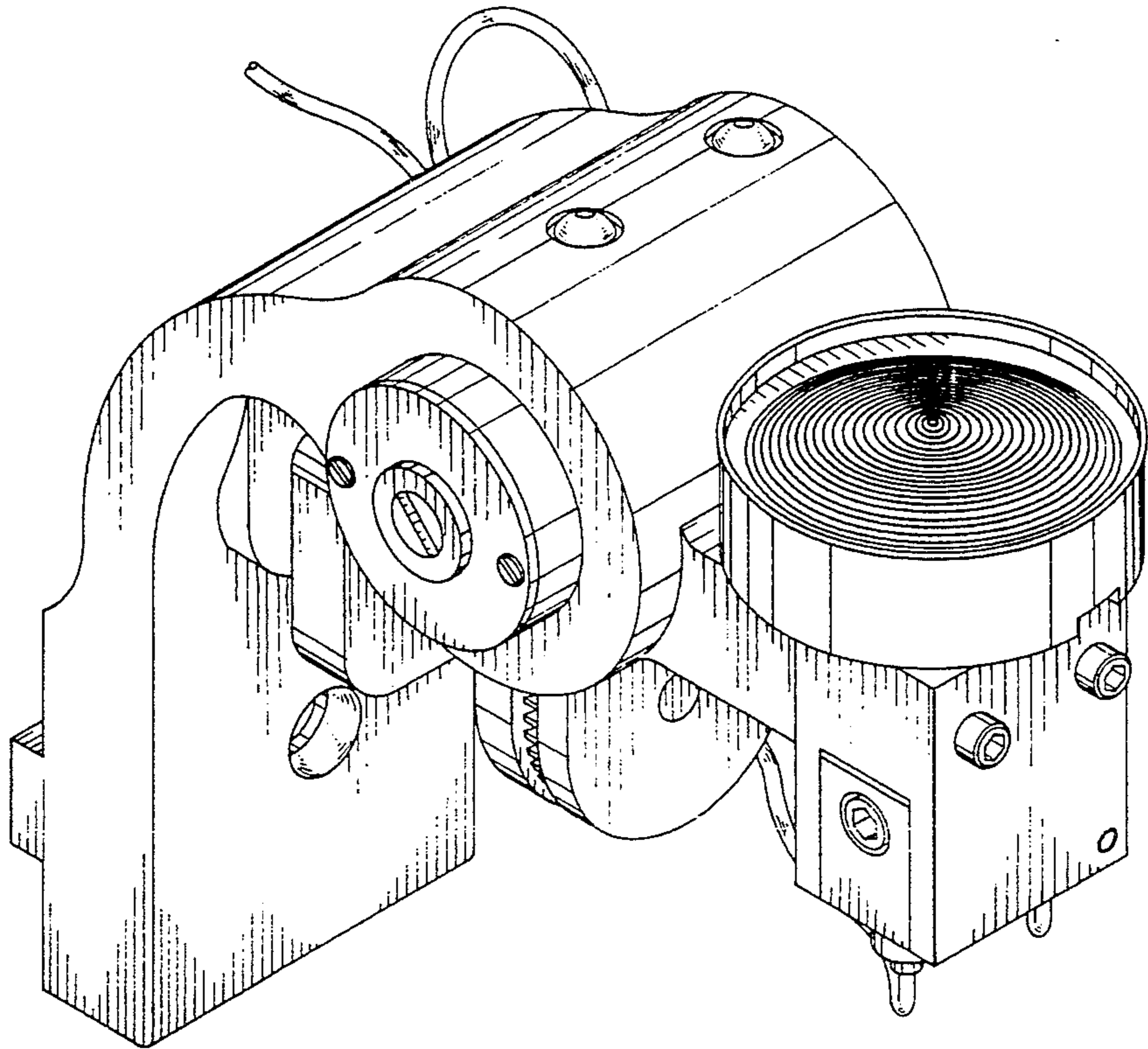


FIG. 1

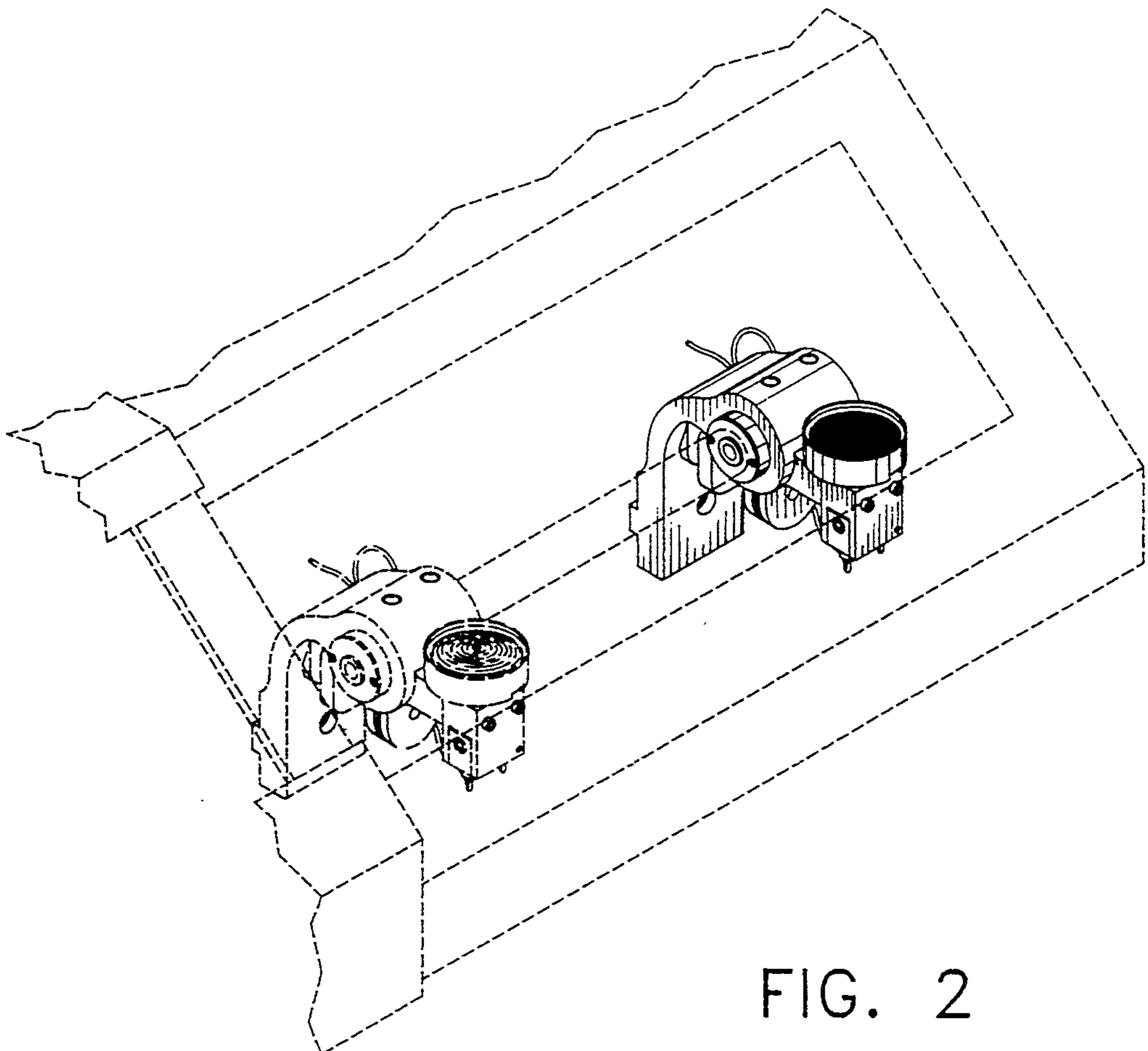


FIG. 2

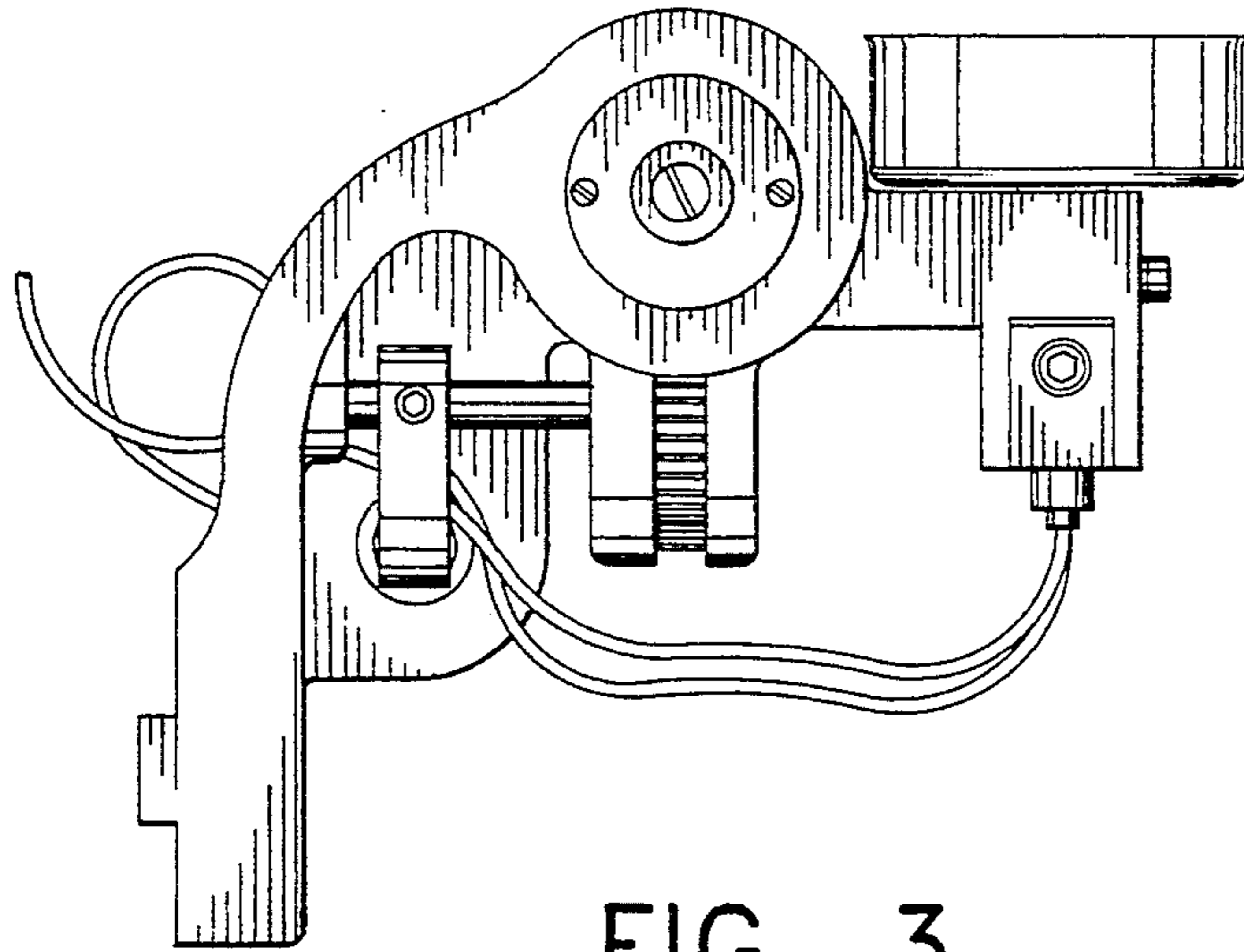


FIG. 3

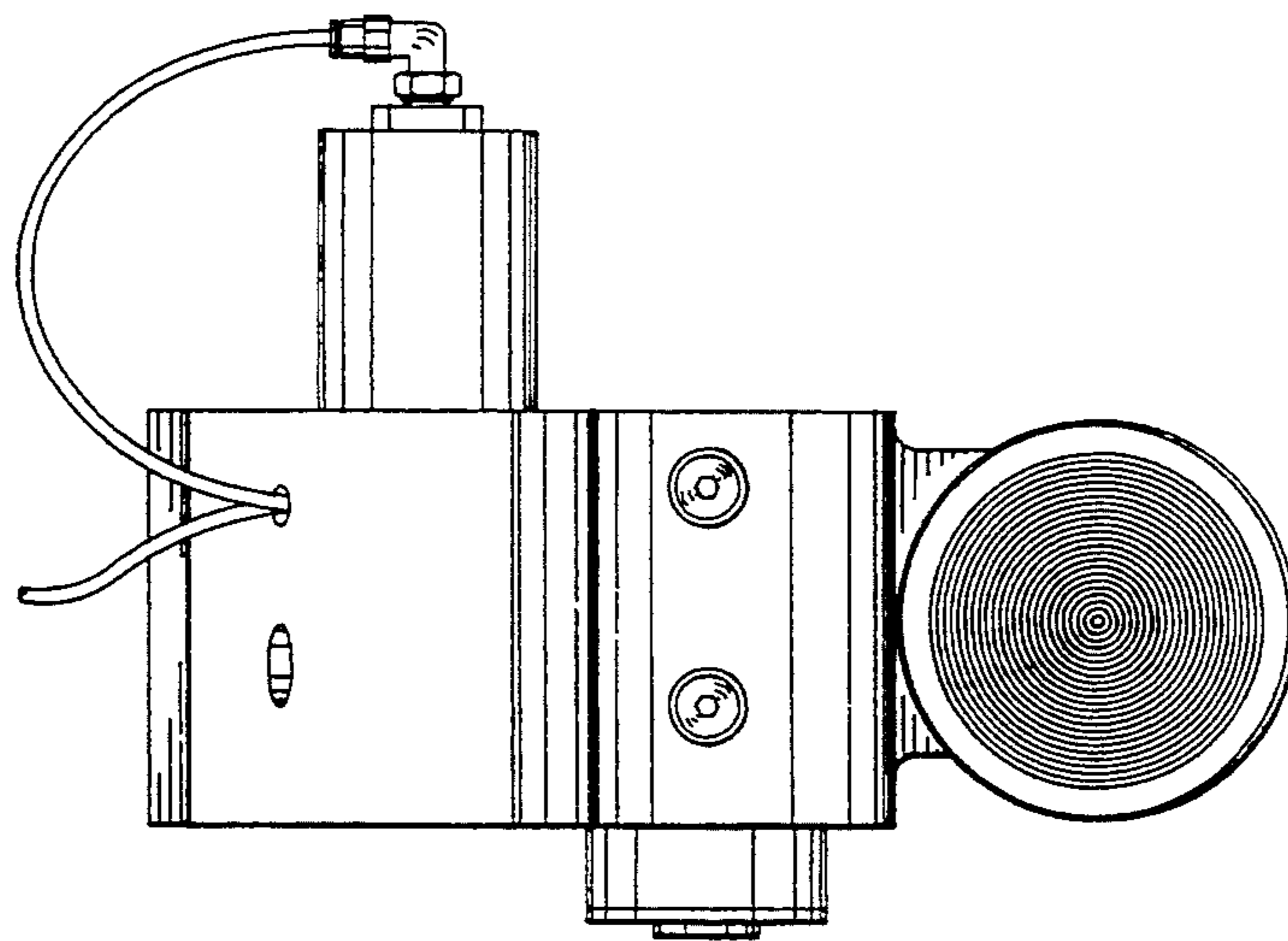


FIG. 4

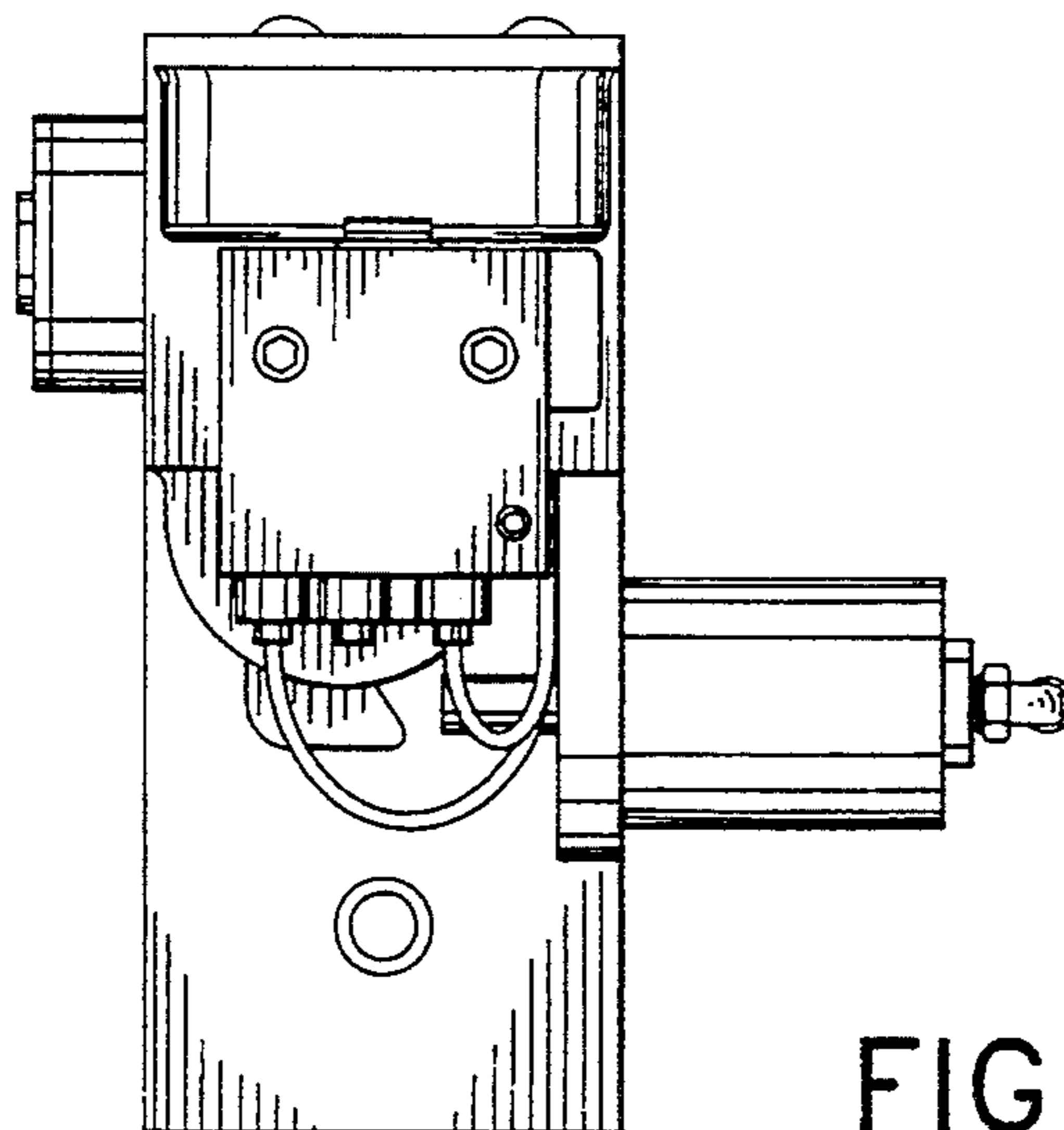


FIG. 5

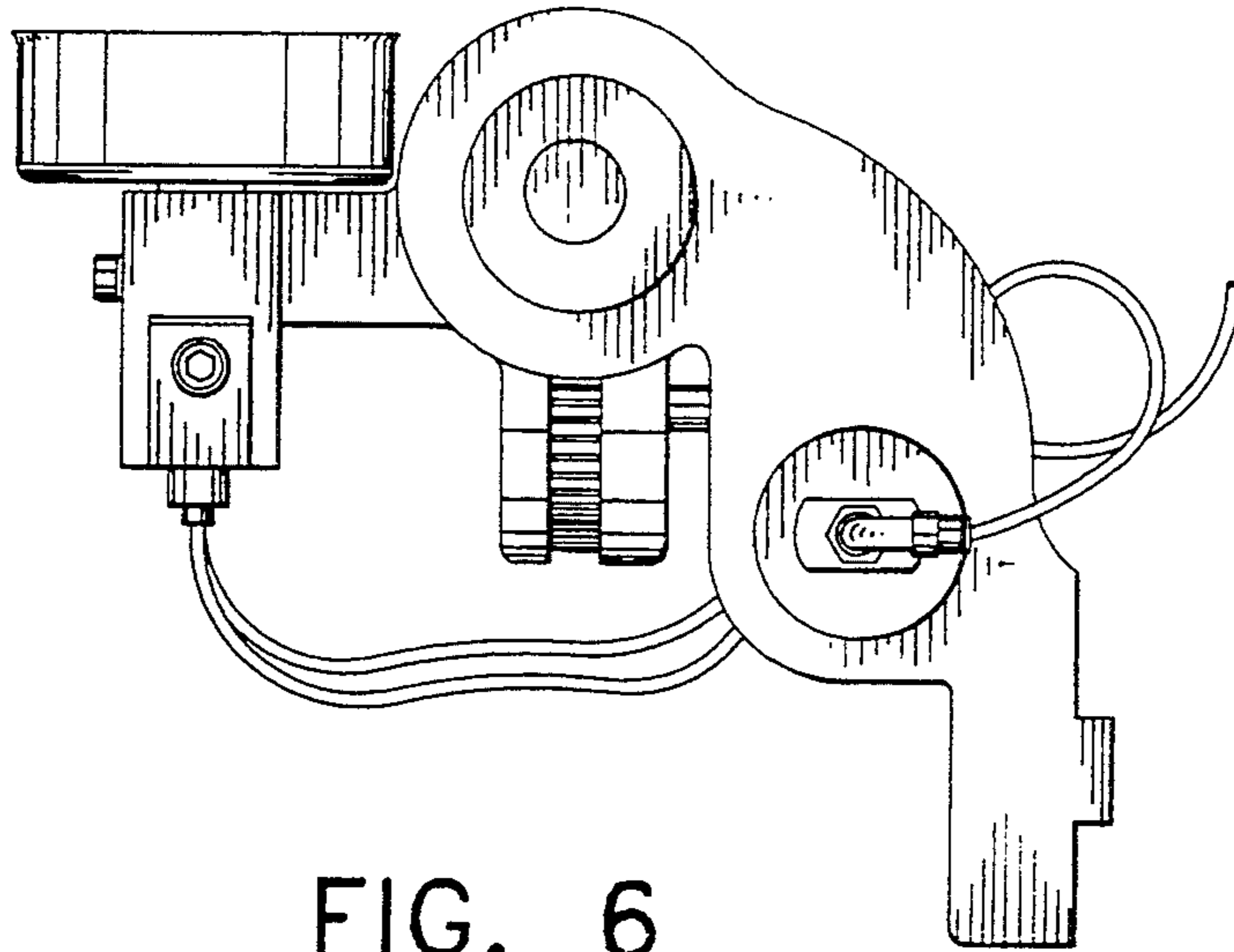


FIG. 6

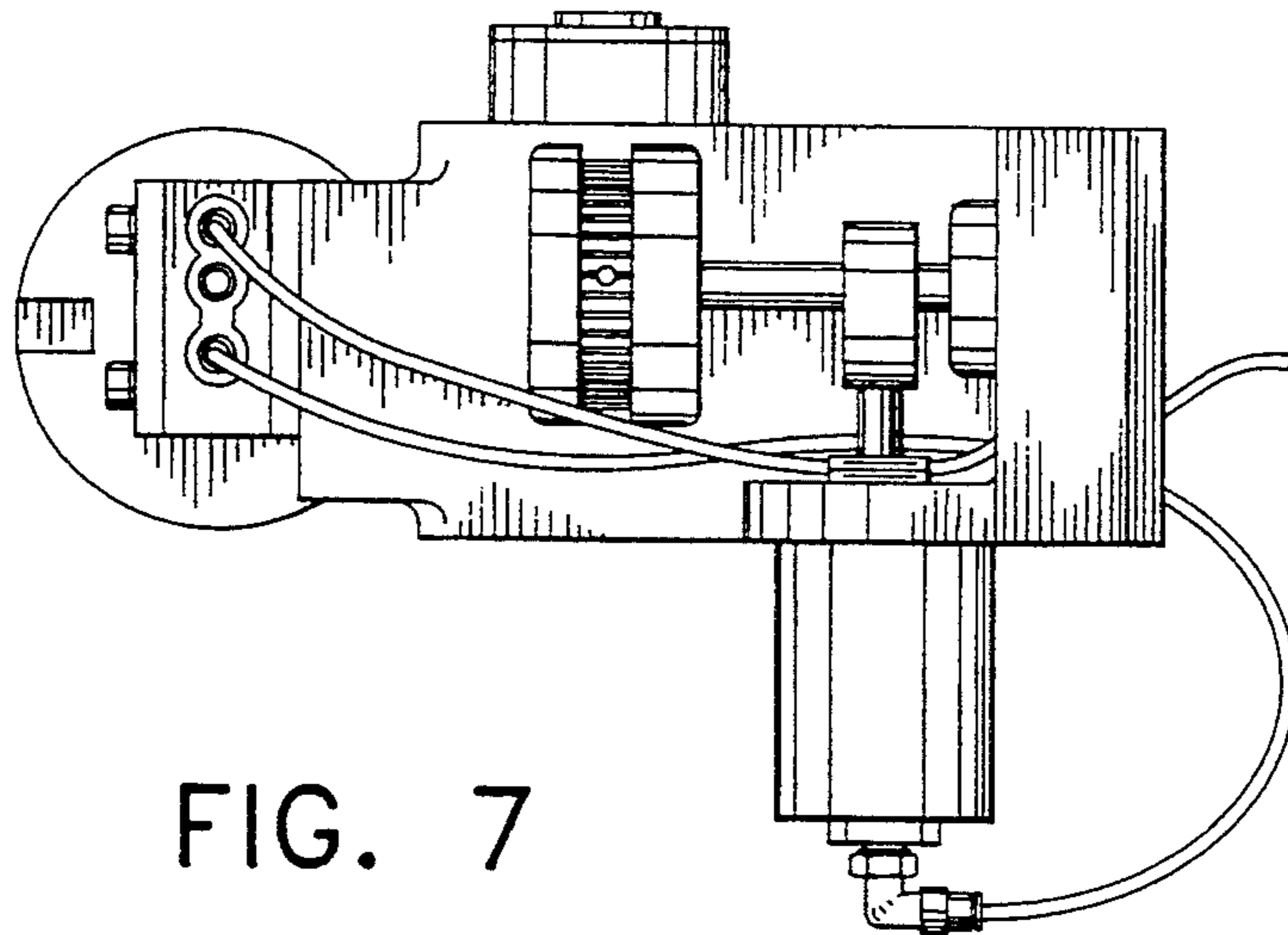


FIG. 7

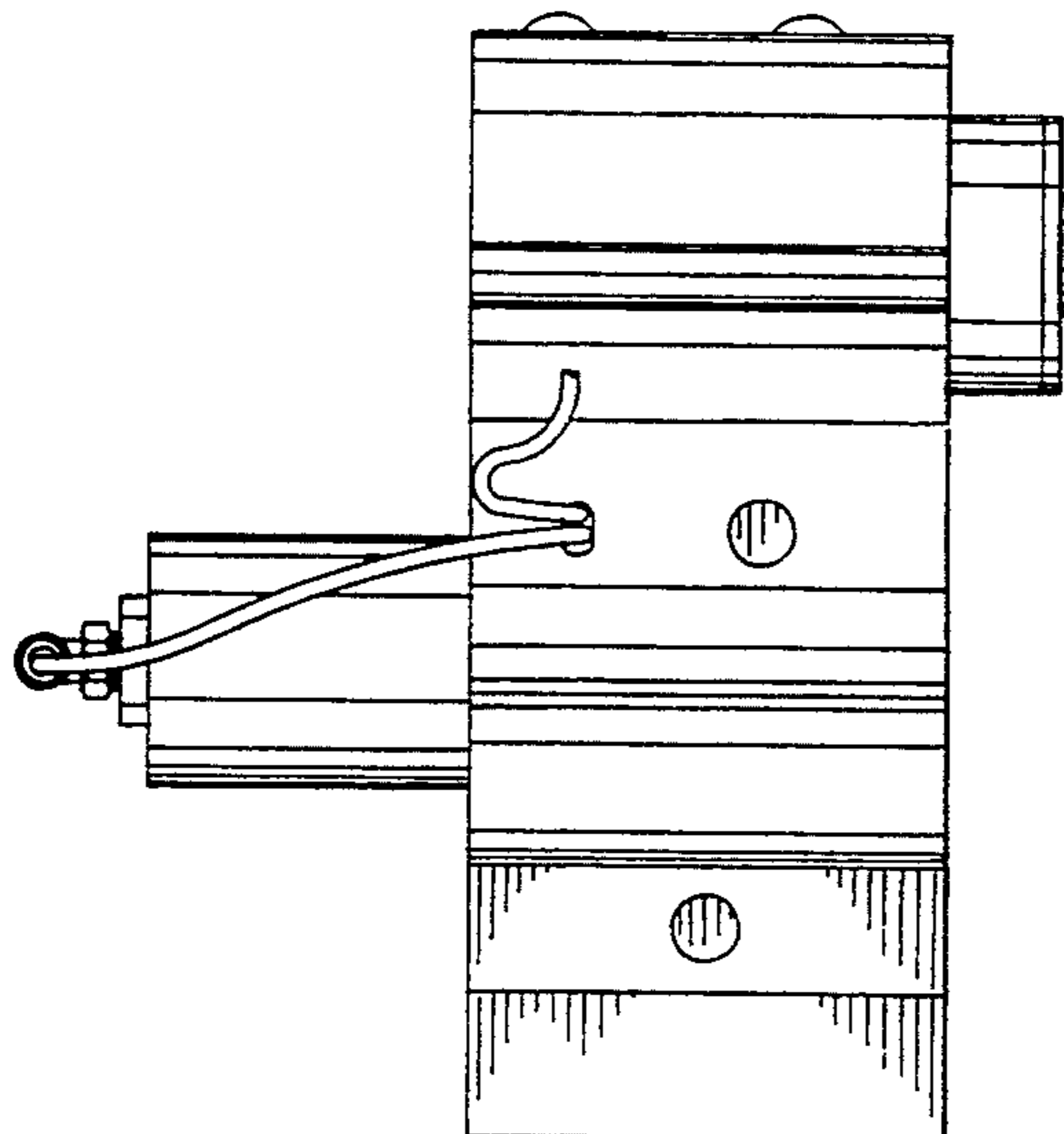


FIG. 8