



US00D356094S

United States Patent [19]

[11] Patent Number: **Des. 356,094**

Curtis

[45] Date of Patent: **** Mar. 7, 1995**

[54] **GEAR BOX**

5,172,605	12/1992	Schwartz	74/606 R
5,230,258	7/1993	Nakano	74/606 R
5,291,801	3/1994	Hanada et al.	74/606 R

[76] Inventor: **Lloyd S. Curtis, R.R. #2, Box 291, Dodge City, Kans. 67801**

Primary Examiner—Ralf T. Seifert
Attorney, Agent, or Firm—Allegretti & Witcoff, Ltd.

[**] Term: **14 Years**

[57] **CLAIM**

[21] Appl. No.: **11,624**

The ornamental design for a gear box, as shown.

[22] Filed: **Aug. 10, 1993**

DESCRIPTION

[52] U.S. Cl. **D15/5**

[58] Field of Search **D15/1-5; D12/124; 70/606 R**

FIG. 1 is a perspective view showing our new design; FIG. 2 is a top view thereof; FIG. 3 is a front view thereof; FIG. 4 is a left side view thereof; FIG. 5 is a right side view thereof; FIG. 6 is a rear view thereof; and, FIG. 7 is a bottom view thereof.

[56] References Cited

U.S. PATENT DOCUMENTS

D. 339,142 9/1993 Middlebrook D15/5

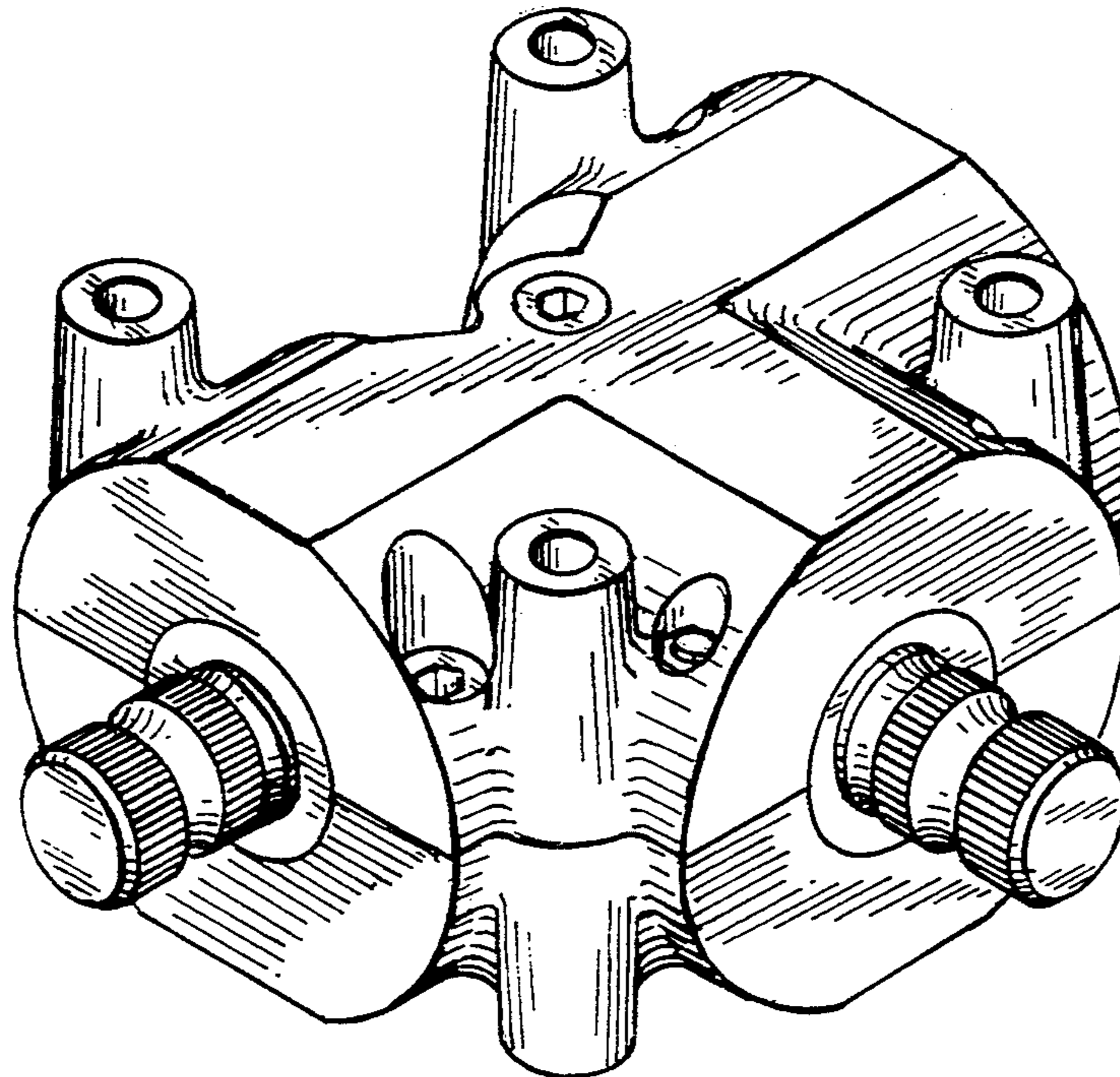


FIG. 1

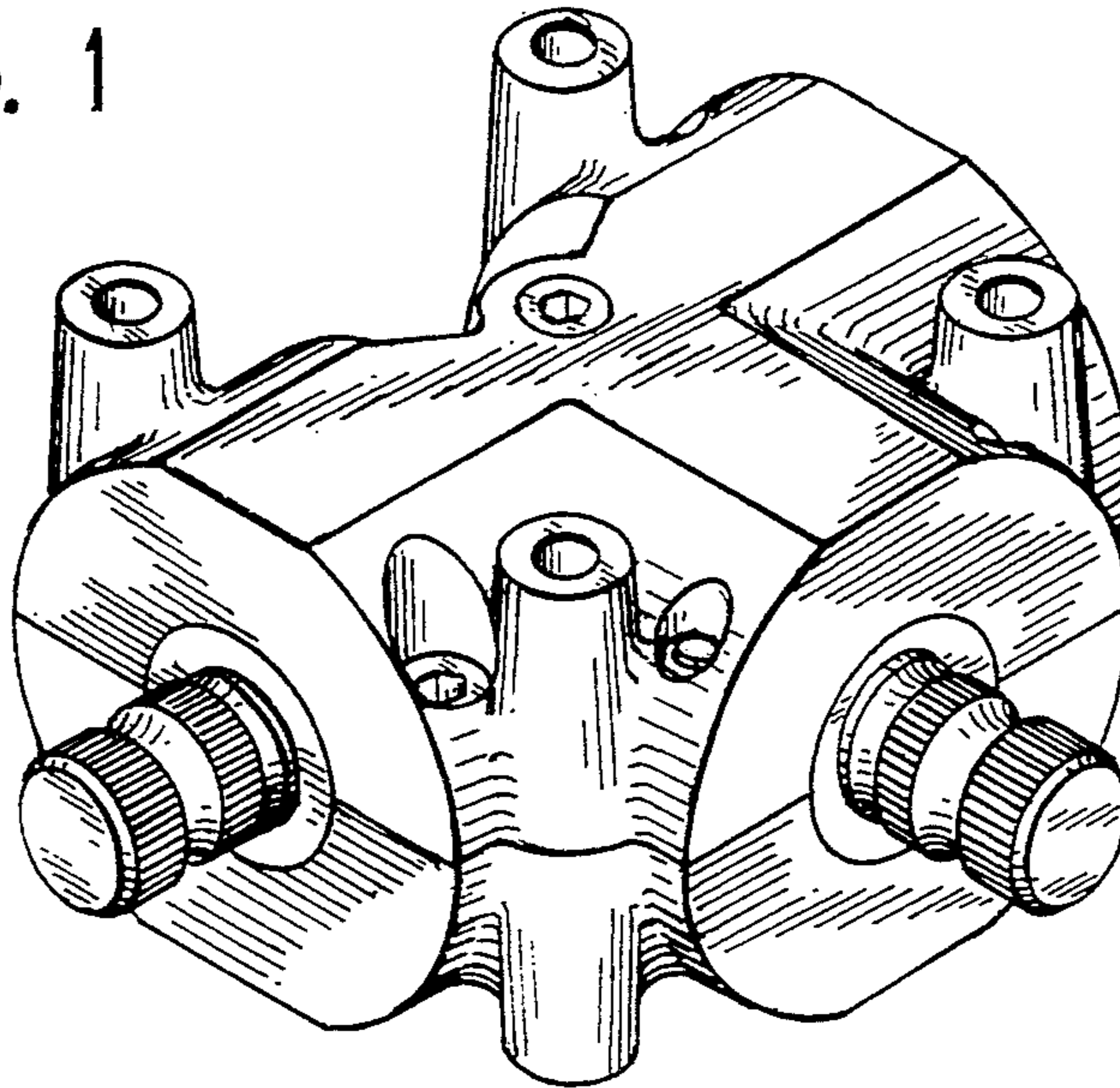


FIG. 2

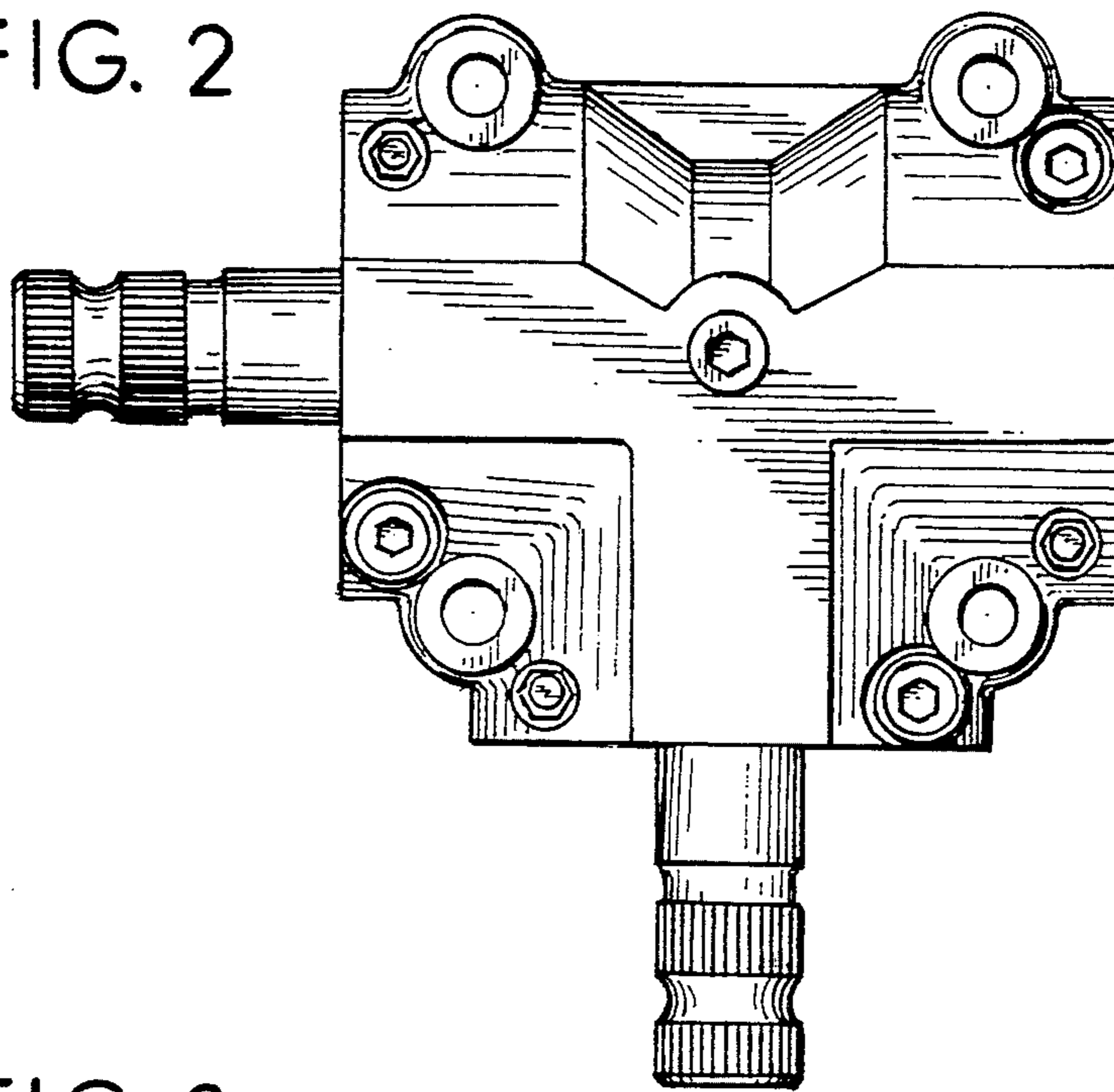


FIG. 3

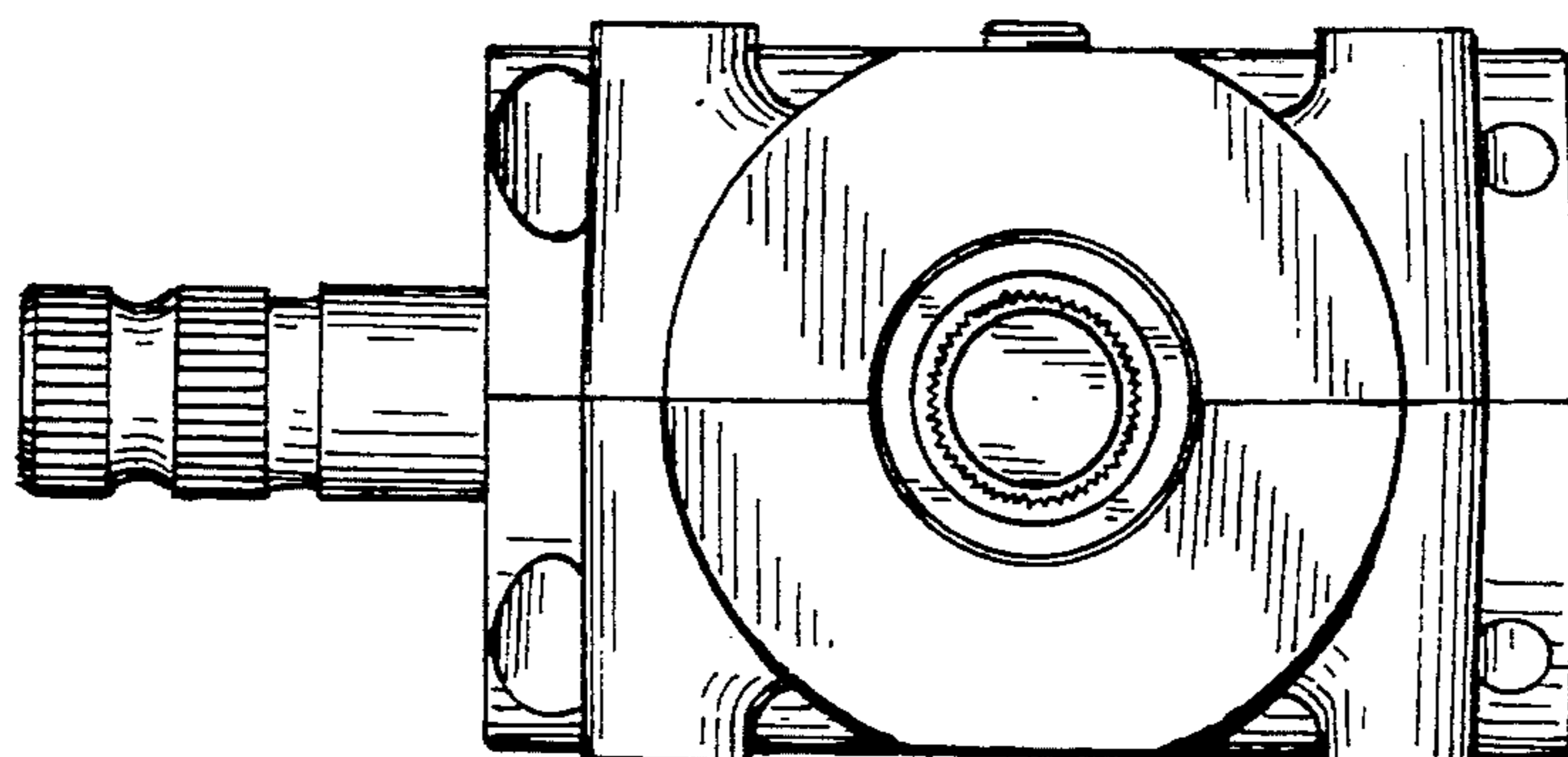


FIG. 4

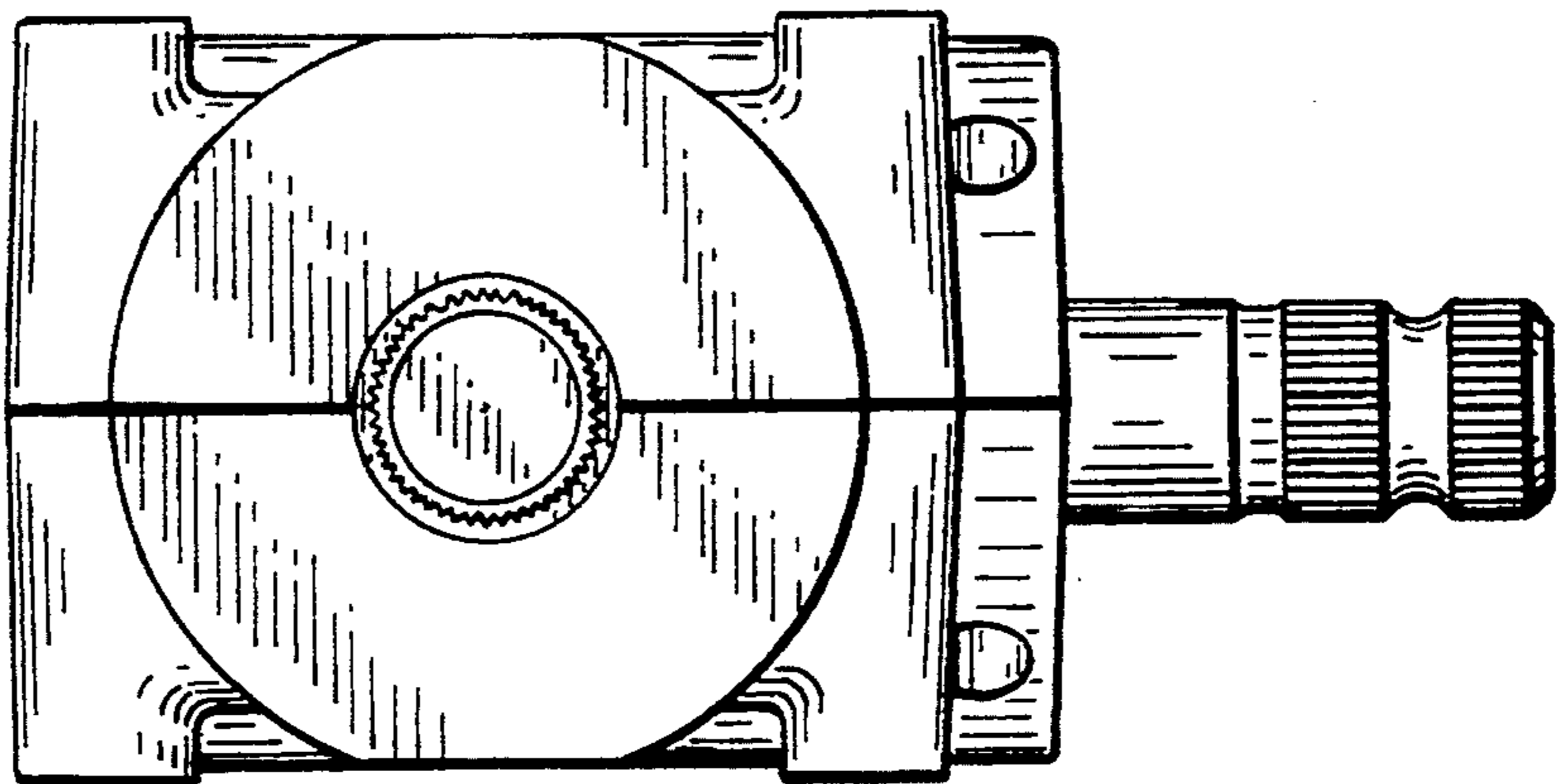


FIG. 5

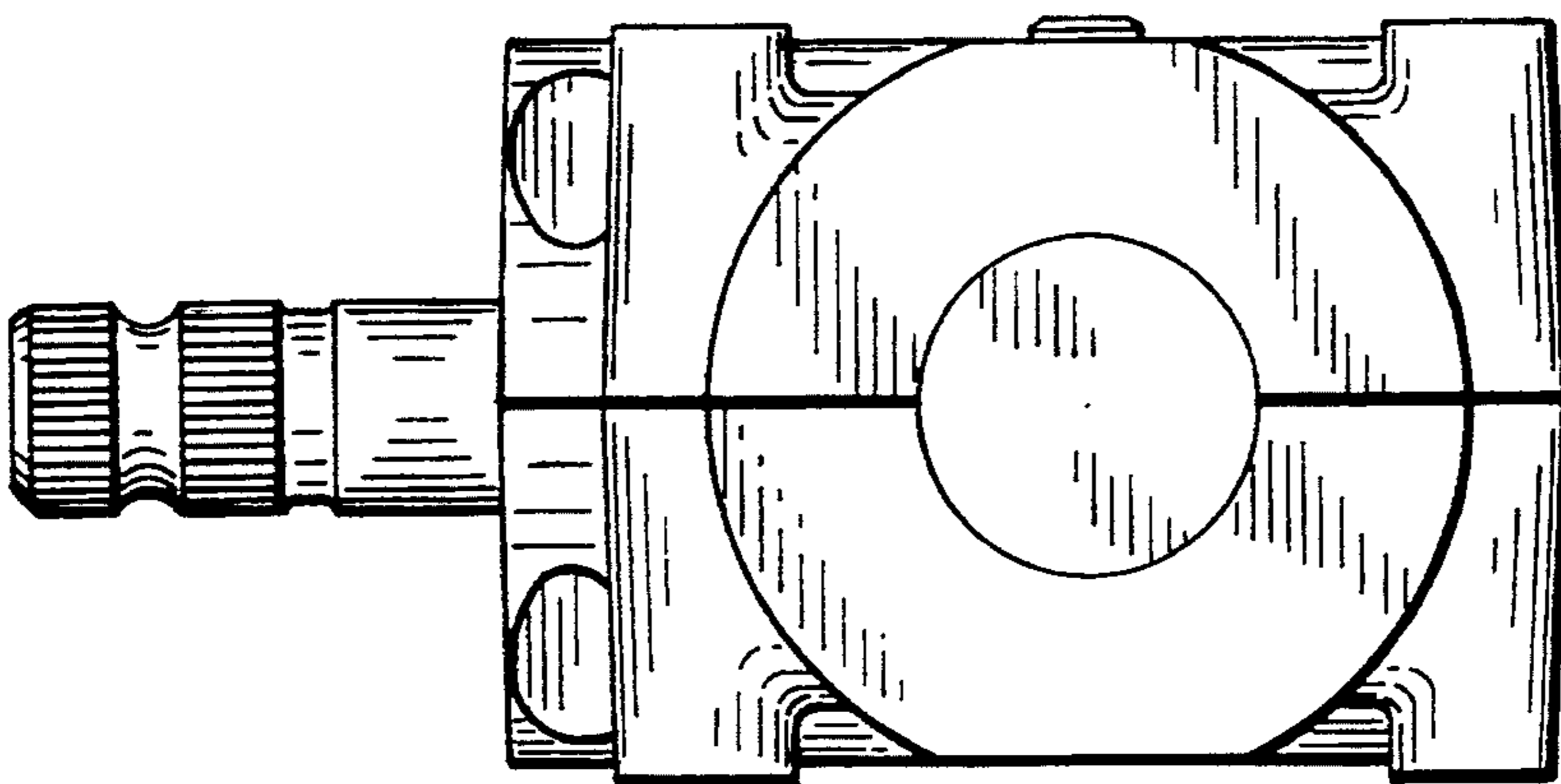


FIG. 6

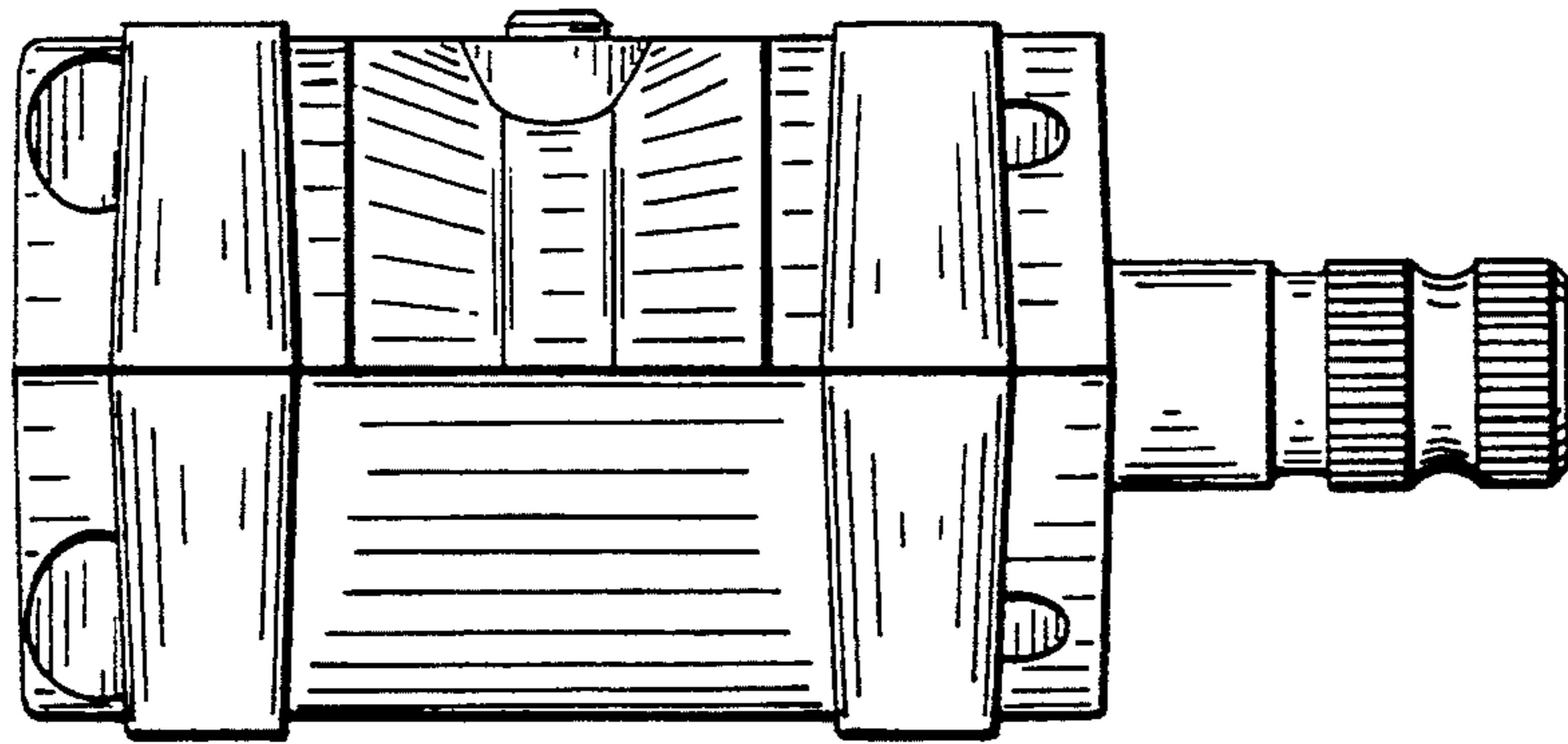


FIG. 7

