



US00D356093S

United States Patent [19]

[11] Patent Number: **Des. 356,093**

McCauley et al.

[45] Date of Patent: **** Mar. 7, 1995**

[54] **CONTROL PANEL FOR A COMBINED VEHICULAR RADIO RECEIVER, CASSETTE PLAYER, COMPACT DISC PLAYER AND DIGITAL CLOCK**

- D. 308,383 6/1990 Megregian D14/258
- D. 308,384 6/1990 Van Hout et al. D14/258
- D. 315,567 3/1991 McCauley et al. D14/258
- D. 346,609 5/1994 Person et al. D14/258

[75] Inventors: **Gilbert L. McCauley**, Southfield; **James P. Muccioli**; **Andrew P. Person**, both of Farmington Hills, all of Mich.

Primary Examiner—Theodore M. Shooman
Attorney, Agent, or Firm—Wendell K. Fredericks

[73] Assignee: **Chrysler Corporation**, Highland Park, Mich.

[57] CLAIM

The ornamental design for a control panel for a combined vehicular radio receiver, cassette player, compact disc player and digital clock, as shown and described.

[**] Term: **14 Years**

DESCRIPTION

[21] Appl. No.: **11,098**

FIG. 1 is a top, front and left side perspective view of a control panel for a combined vehicular radio receiver, cassette player, compact disc and digital clock showing our new design;

[22] Filed: **Jul. 26, 1993**

[52] U.S. Cl. **D14/258; D14/157**

FIG. 2 is a top plan view thereof;

[58] Field of Search **D14/124, 137, 157, 217,**

FIG. 3 is a front elevational view thereof;

D14/257, 258, 299; 455/73, 89-90, 128,

FIG. 4 is a bottom plan view thereof;

345-347

FIG. 5 is a left side elevational view thereof; and,

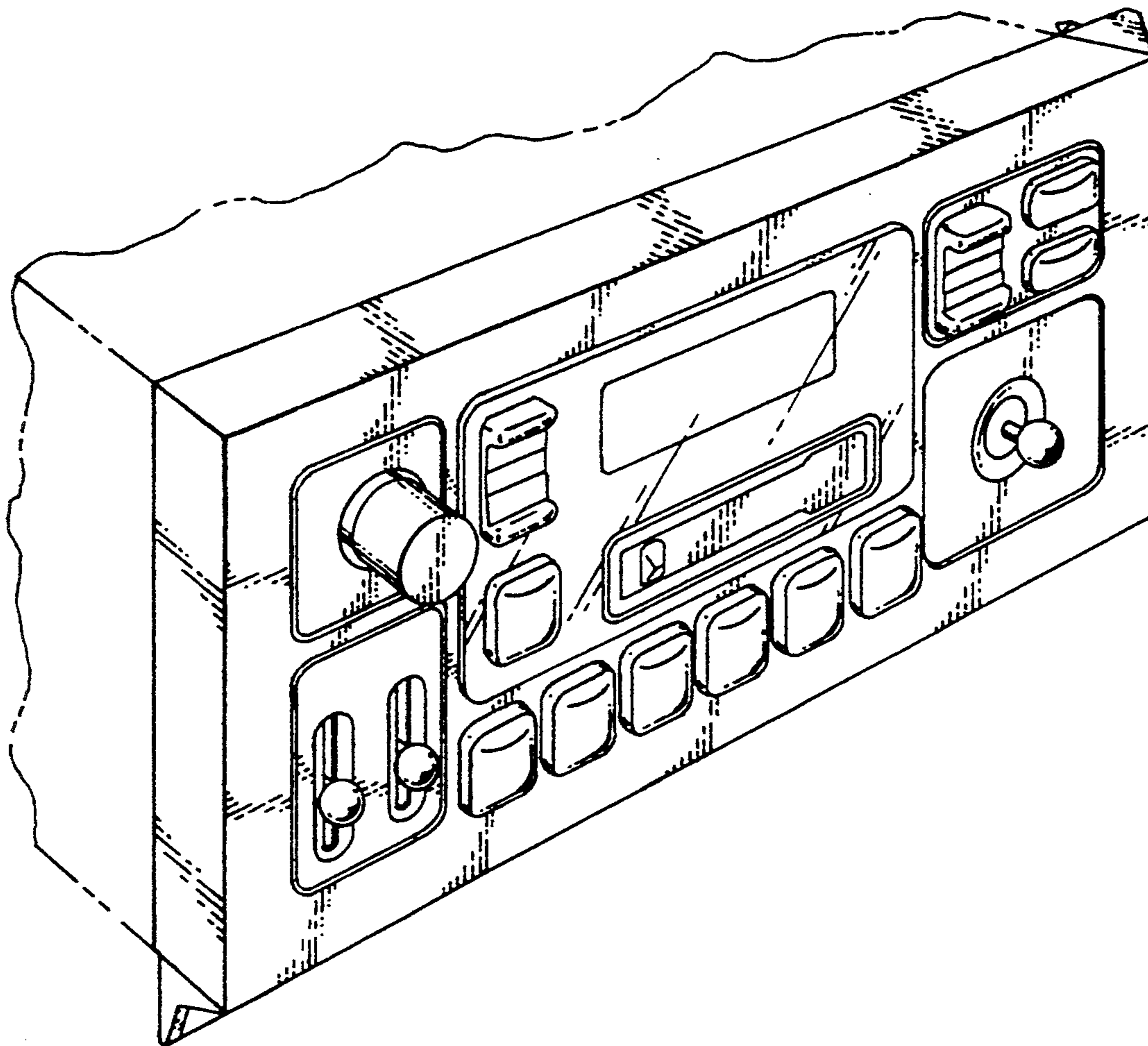
[56] References Cited

U.S. PATENT DOCUMENTS

D. 292,398 10/1987 Kifer et al. D14/258

FIG. 6 is a right side elevational view thereof.

The broken line showing is for illustrative purposes only and forms no part of the claimed design.



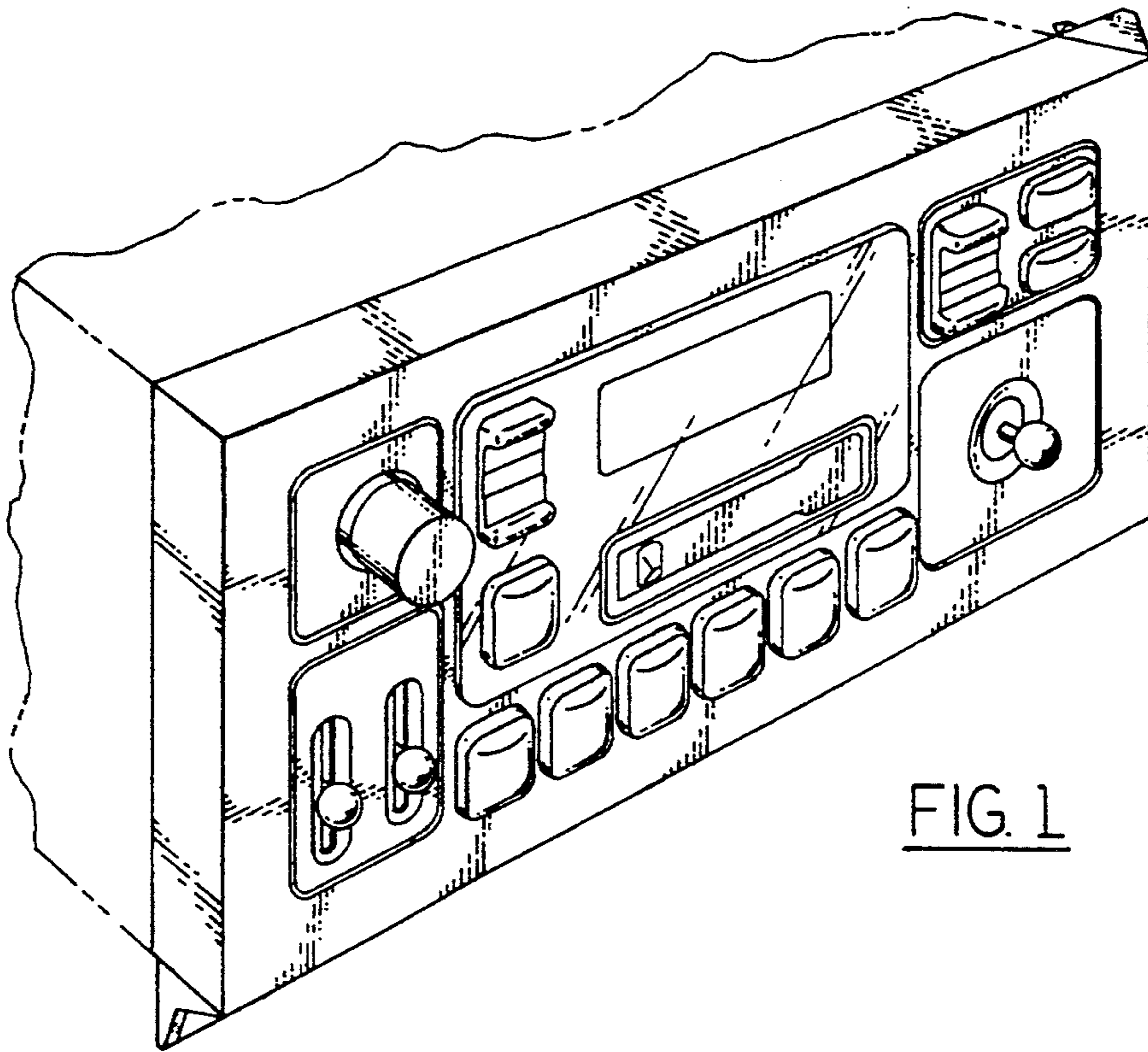


FIG. 1

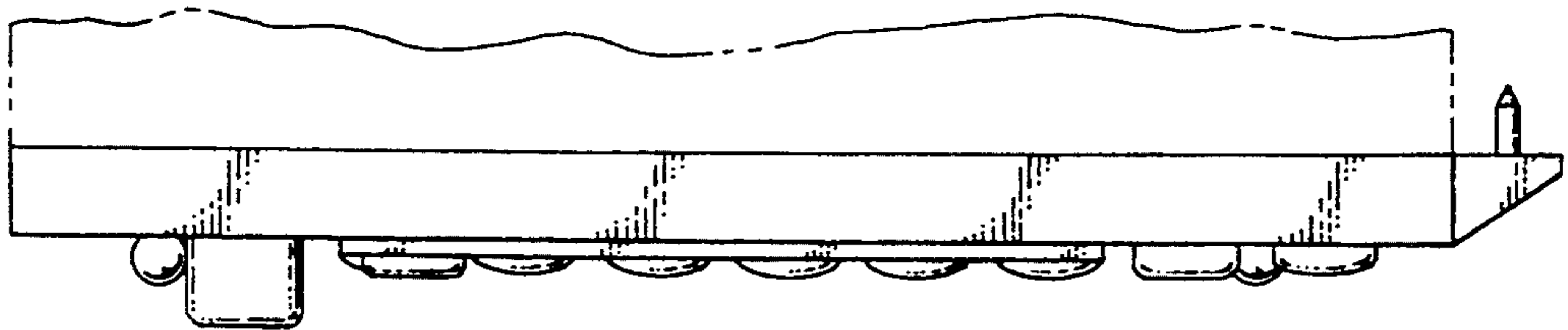


FIG. 2

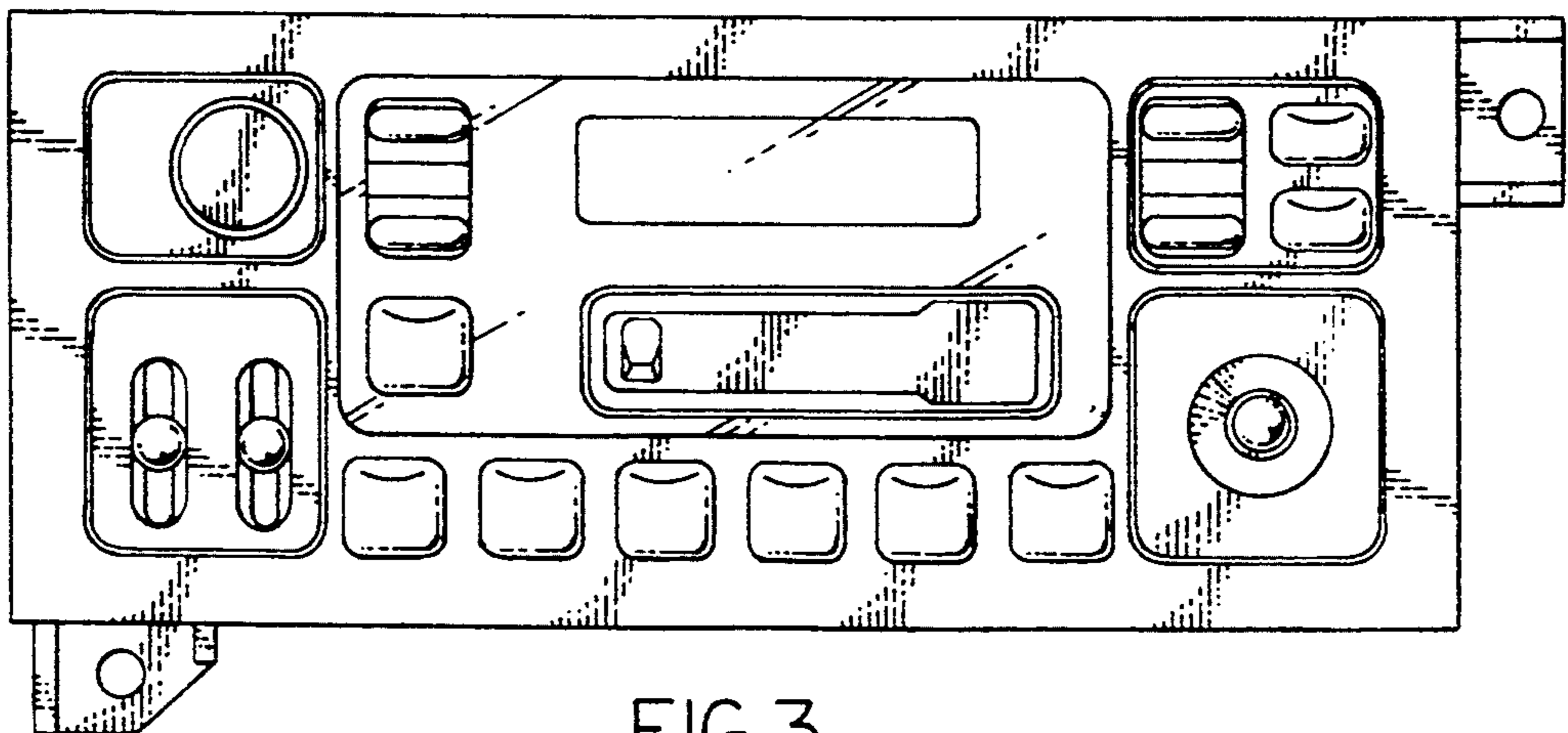


FIG. 3

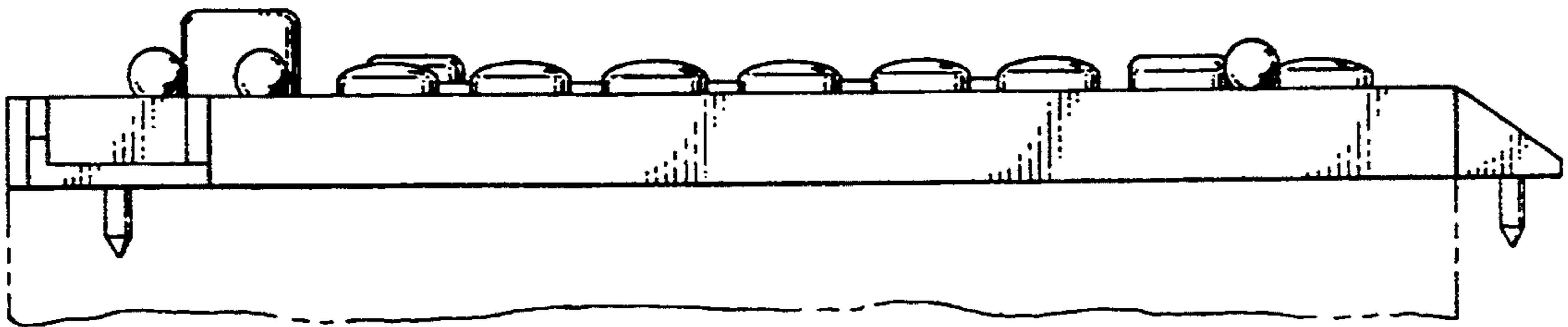


FIG. 4

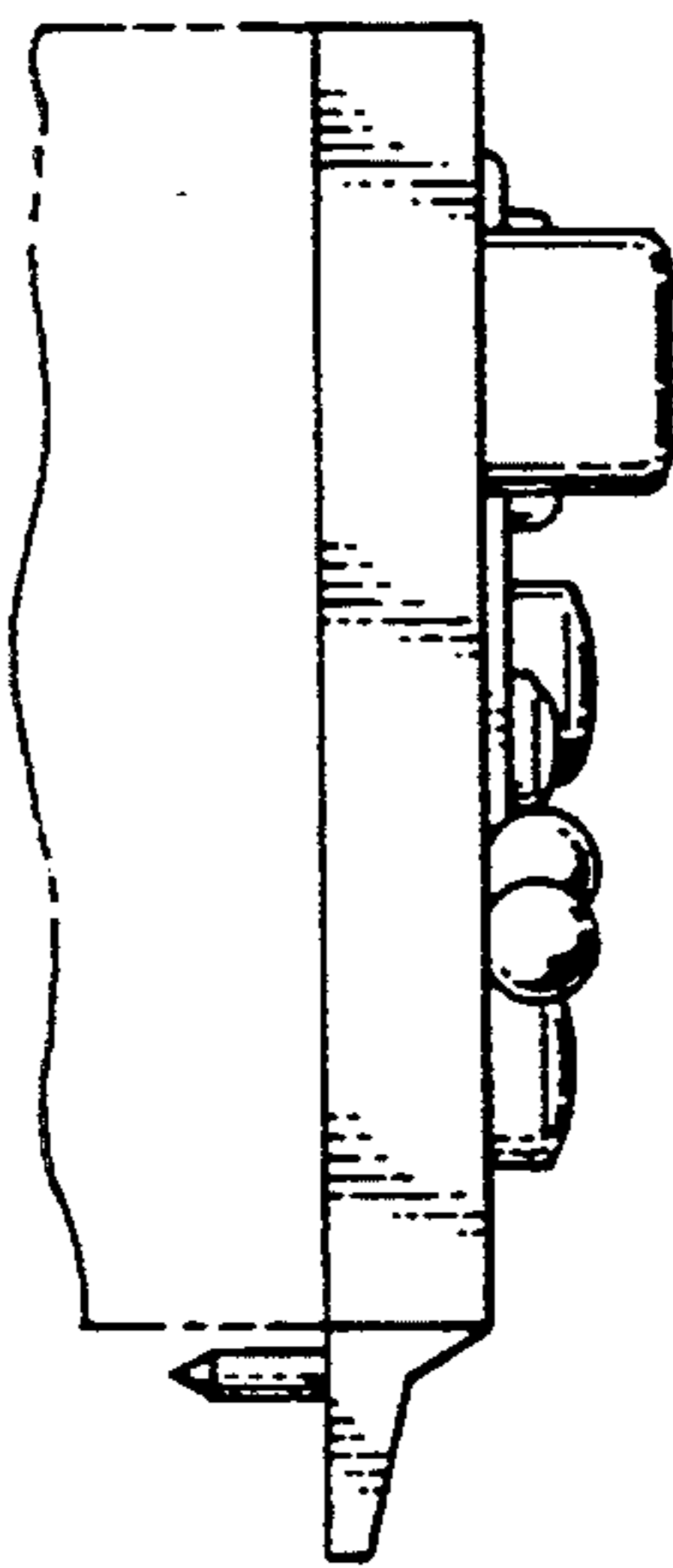


FIG. 5

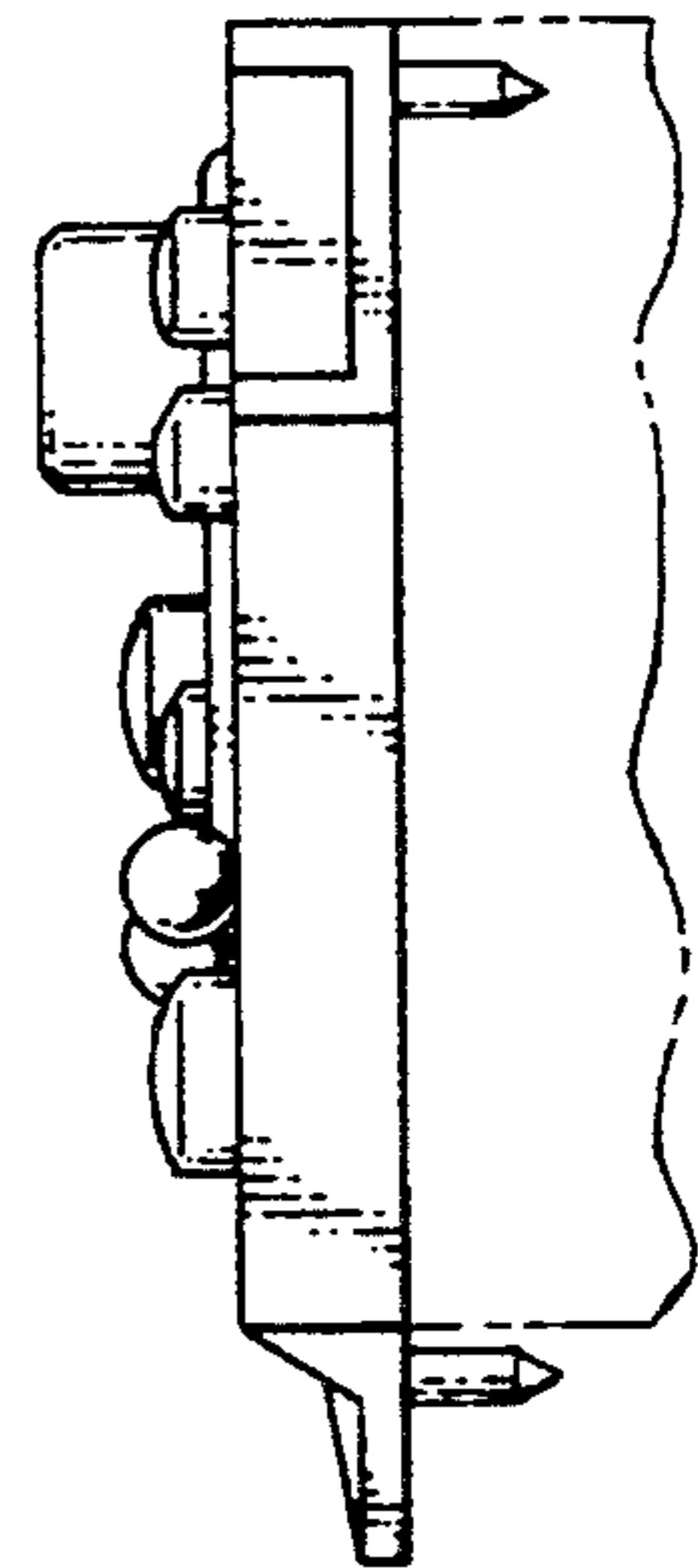


FIG. 6