



US00D356091S

United States Patent [19] Grande

[11] Patent Number: **Des. 356,091**

[45] Date of Patent: **** Mar. 7, 1995**

[54] **TWO-GANG JACKBOX ASSEMBLY**

4,911,655 3/1990 Pinyan et al. 439/801 X
5,153,911 10/1992 Smith 379/399

[75] Inventor: **Frank Grande**, Highland Beach, Fla.

[73] Assignee: **Hose-McCann Telephone Co., Inc.**,
Deerfield Beach, Fla.

[**] Term: **14 Years**

[21] Appl. No.: **20,022**

[22] Filed: **Mar. 16, 1994**

[52] U.S. Cl. **D14/240; D13/152;**
D14/256

[58] Field of Search **D14/240, 256, 140;**
D13/152, 160, 162, 184, 199; 379/399, 412, 419;
439/535, 709, 801, 521, 533, 534

[56] **References Cited**

U.S. PATENT DOCUMENTS

D. 313,417	1/1991	Graham et al.	D14/240
D. 347,438	5/1994	Smith	D14/240
4,729,059	3/1988	Wang	379/412 X
4,734,061	3/1988	Randall, Jr. et al.	439/709
4,749,359	6/1988	White	379/419 X

OTHER PUBLICATIONS

Sound-Powered Telephone JackBox, Comdial Telephone Systems, Inc., Charlottesville, Va., Comdial Telephone Systems 1983 catalog, p. 4.

Primary Examiner—Nelson C. Holtje
Assistant Examiner—Jeffrey Asch
Attorney, Agent, or Firm—Weingram & Zall

[57] **CLAIM**

The ornamental design for two-gang jackbox assembly, as shown and described.

DESCRIPTION

FIG. 1 is a perspective view of a two-gang jackbox assembly, showing my new design;
FIG. 2 is a top plan view;
FIG. 3 is a side elevational view, the opposite side being identical thereto;
FIG. 4 is an end elevational view, the opposite end being identical thereto; and,
FIG. 5 is a bottom plan view.

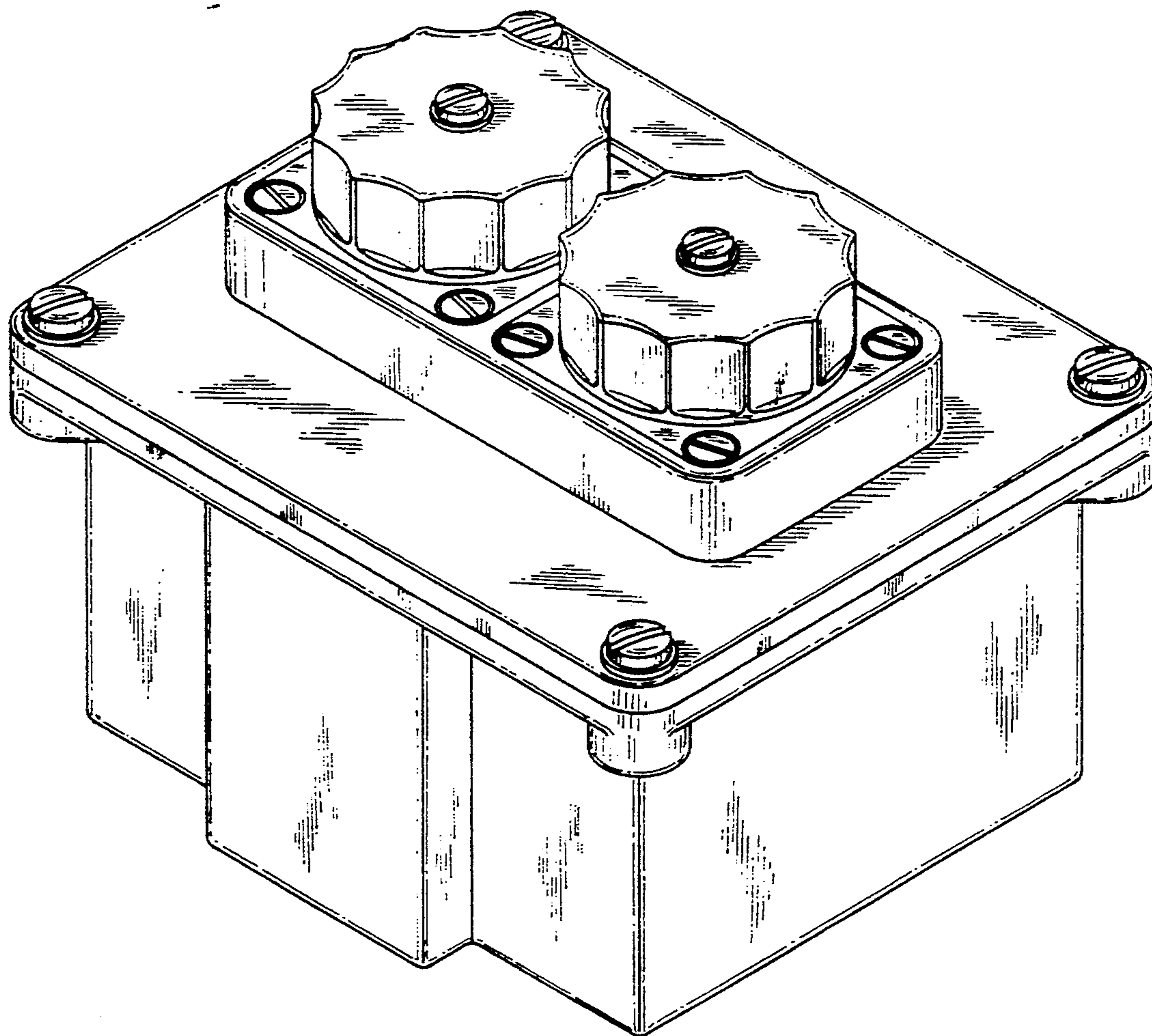


FIG. 1

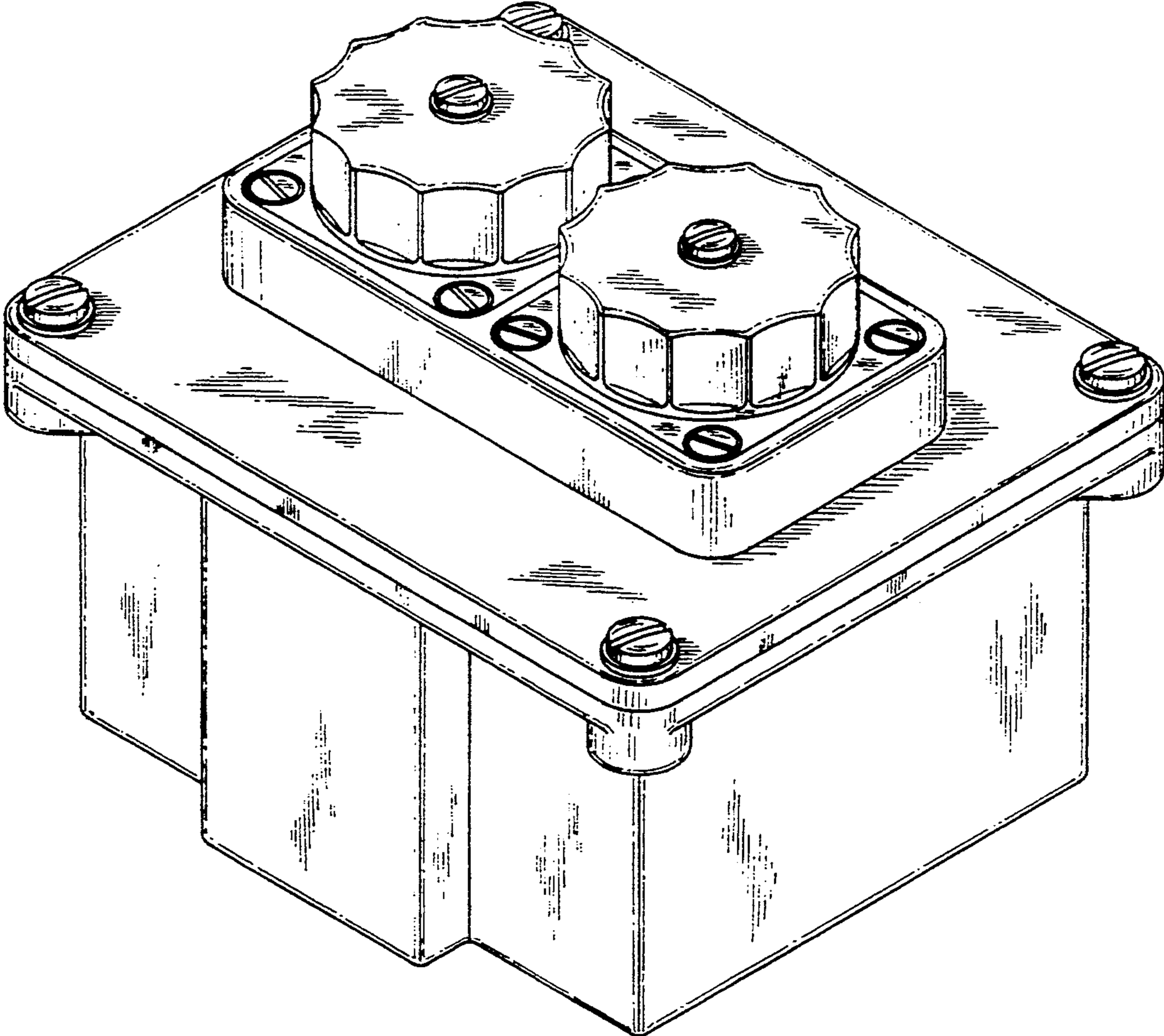


FIG. 2

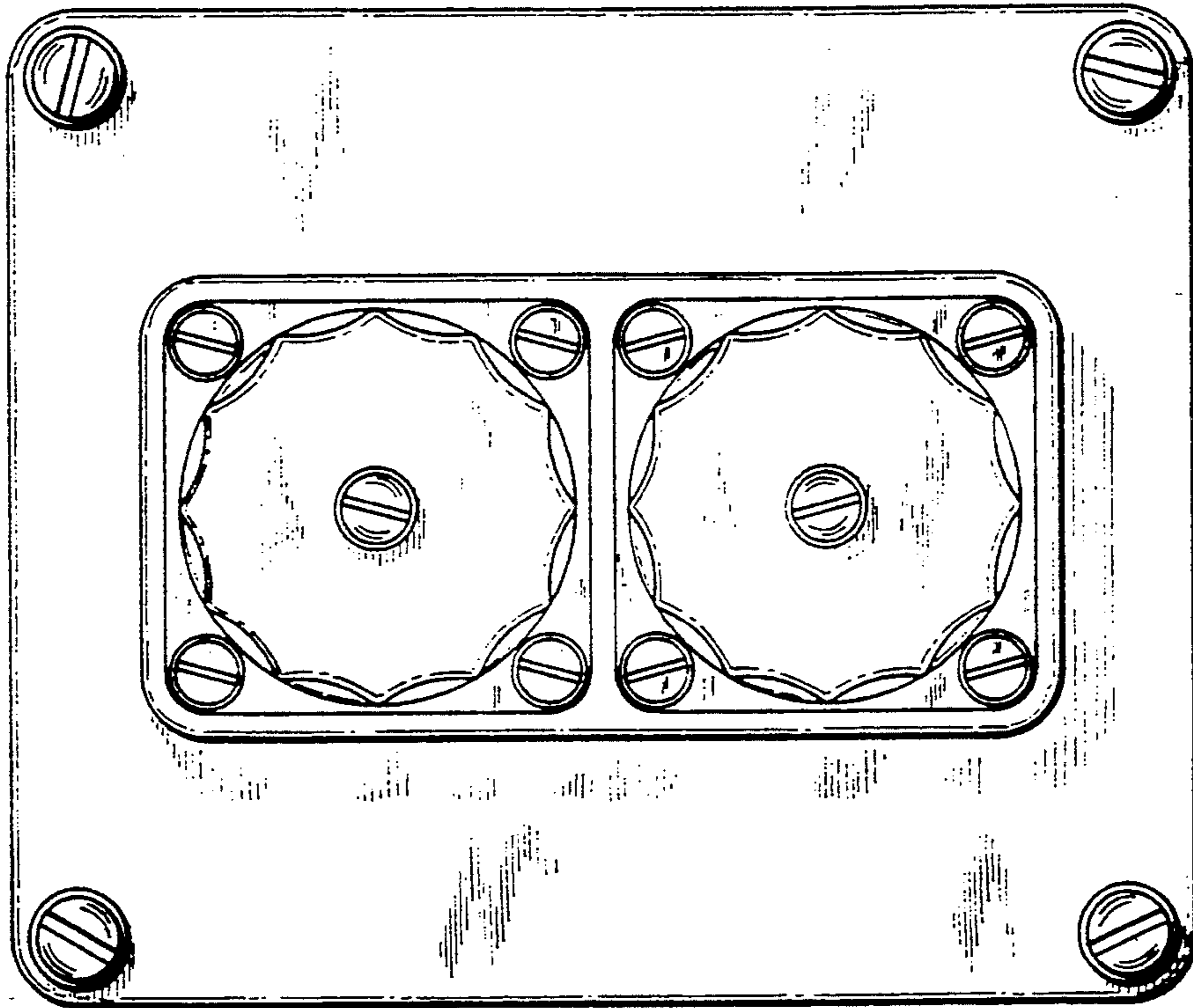


FIG. 3

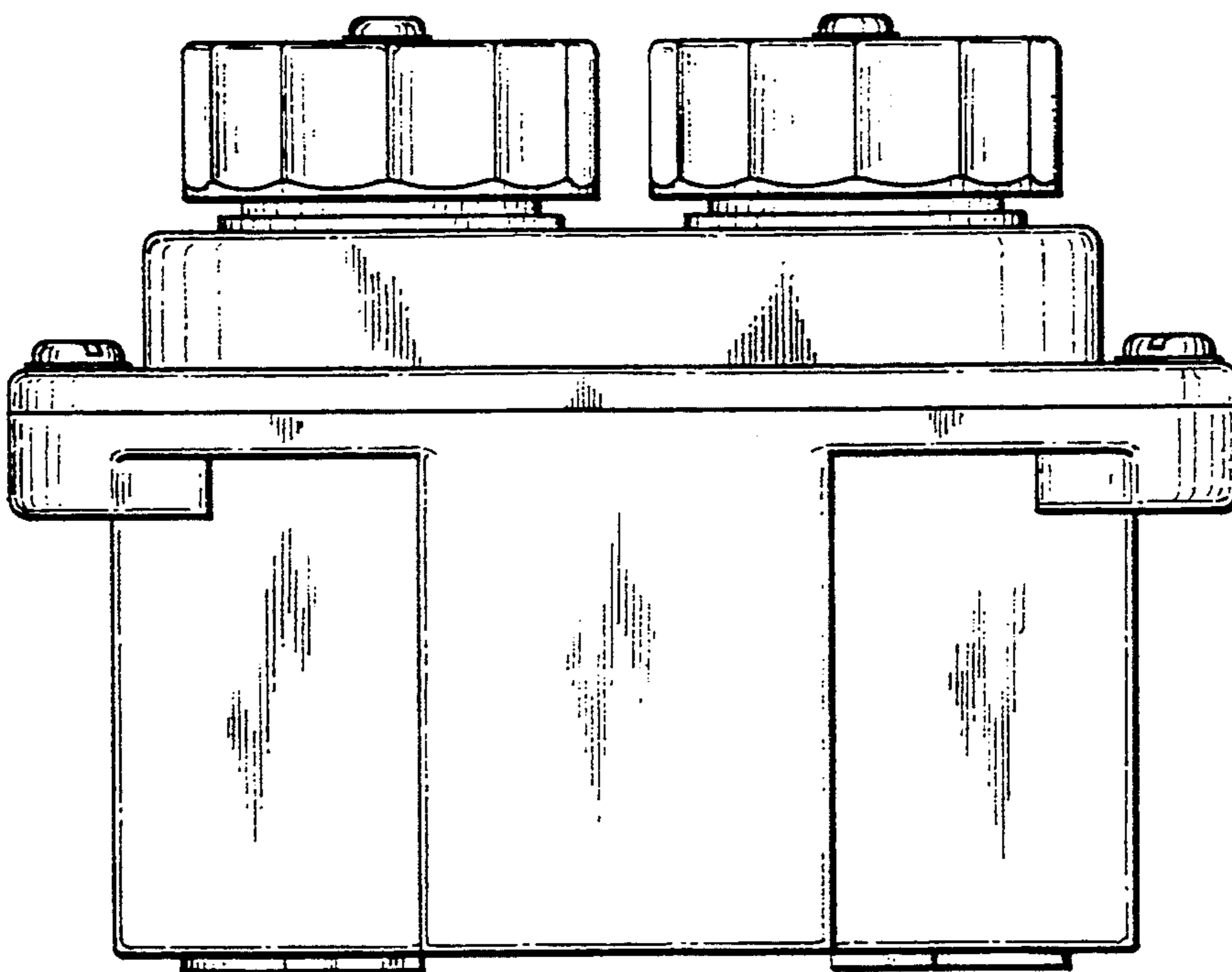


FIG. 4

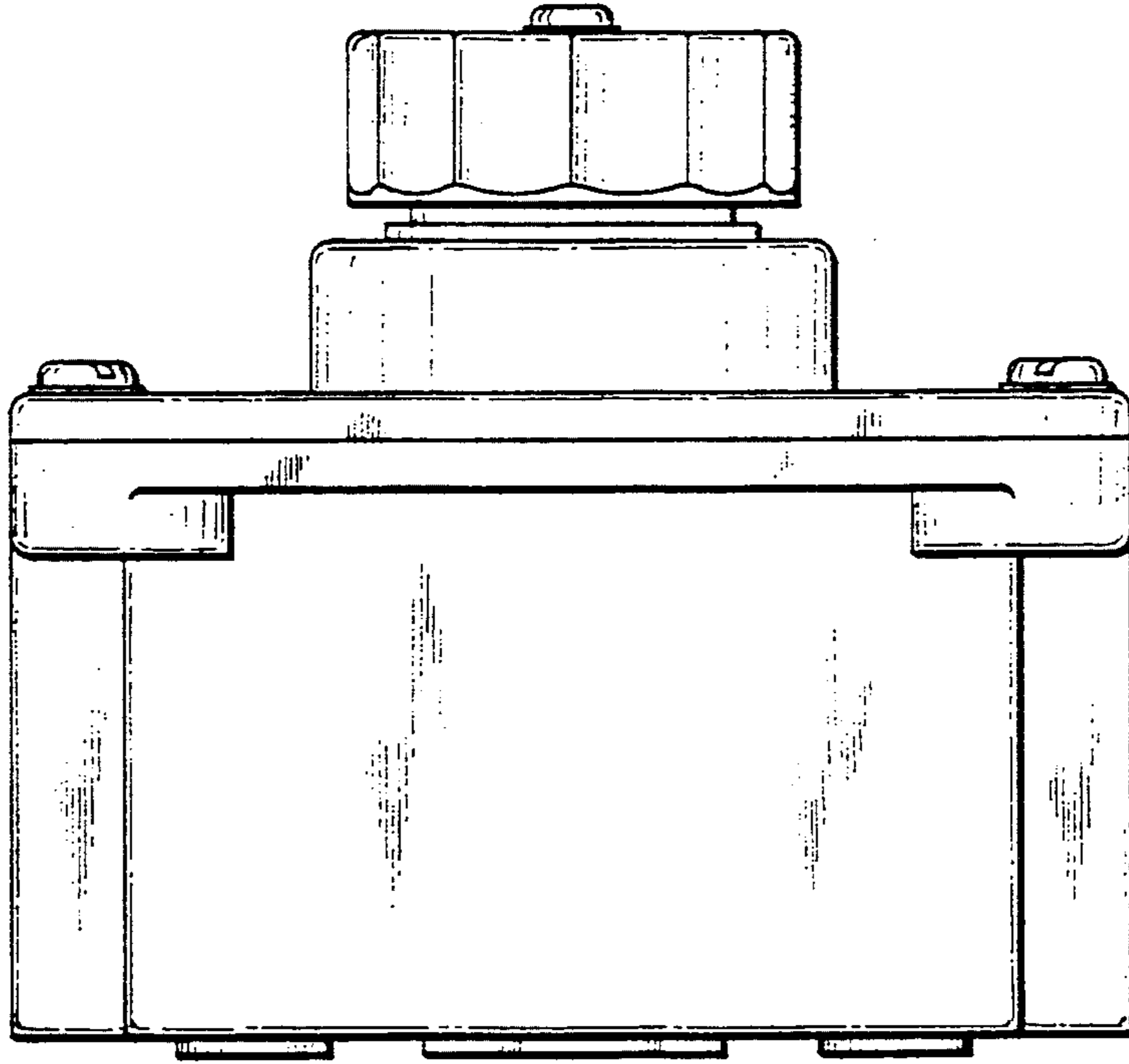


FIG. 5

