



US00D356090S

# United States Patent [19]

[11] Patent Number: **Des. 356,090**

Russell

[45] Date of Patent: **\*\* Mar. 7, 1995**

[54] **PARABOLIC LISTENING DEVICE**

5,125,031 6/1992 Ledonne ..... 381/24 X

[76] Inventor: **William A. Russell**, 838 Prince Charles Ct., Schaumburg, Ill. 60195

### FOREIGN PATENT DOCUMENTS

[\*\*] Term: **14 Years**

0037997 3/1982 Japan ..... 381/160  
0222935 10/1924 United Kingdom ..... 381/160

[21] Appl. No.: **16,300**

*Primary Examiner*—Terry A. Wallace  
*Assistant Examiner*—Nanda Bondade  
*Attorney, Agent, or Firm*—McHale & Slavin

[22] Filed: **Dec. 13, 1993**

[52] U.S. Cl. .... **D14/231**

[58] Field of Search ..... D14/210, 211, 222, 225-231; 181/144, 148, 153, 158, 171, 175, 198, 199; 379/444; 381/156, 158-160, 169

### [57] CLAIM

The ornamental design for a parabolic listening device, as shown and described.

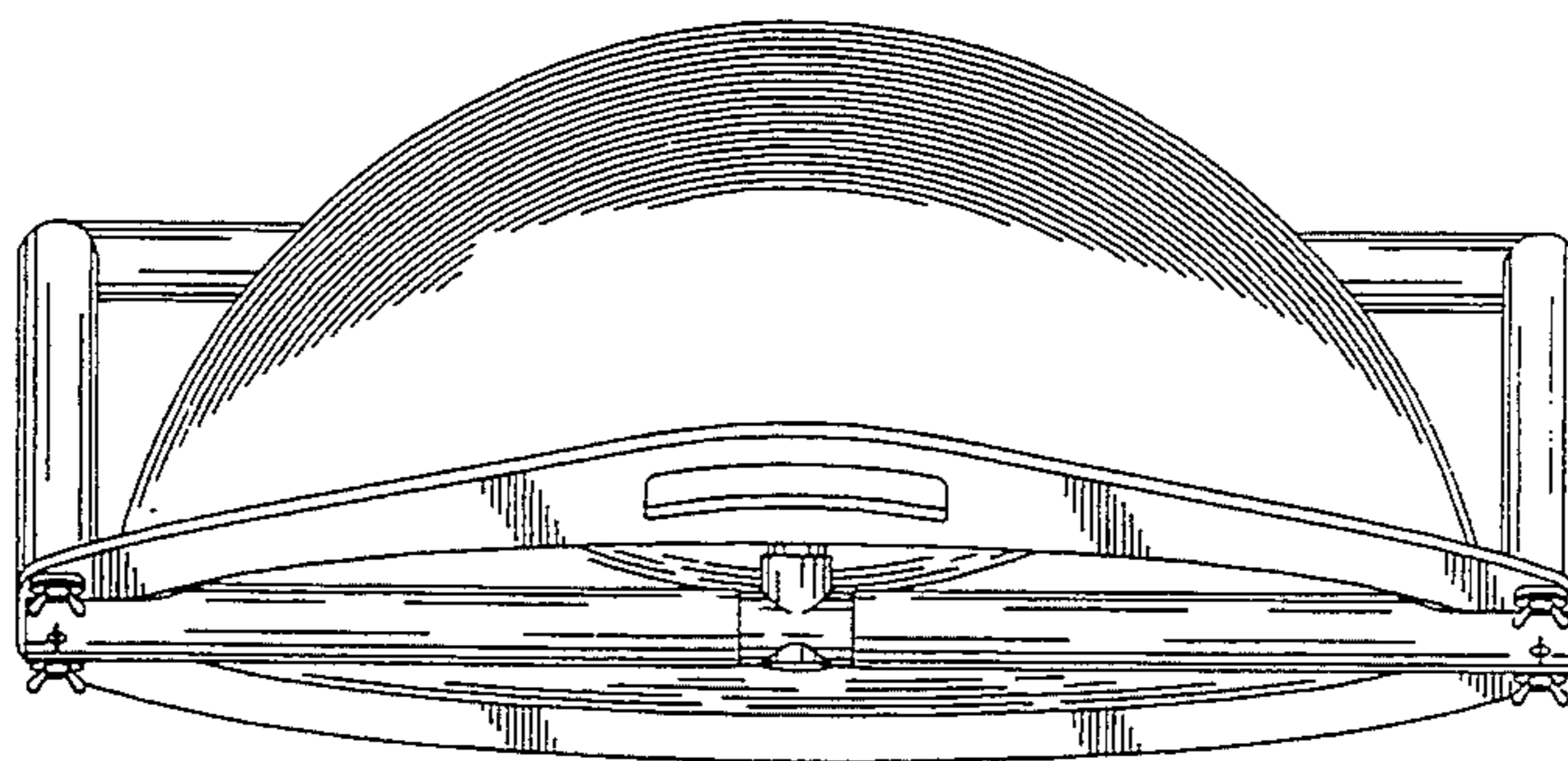
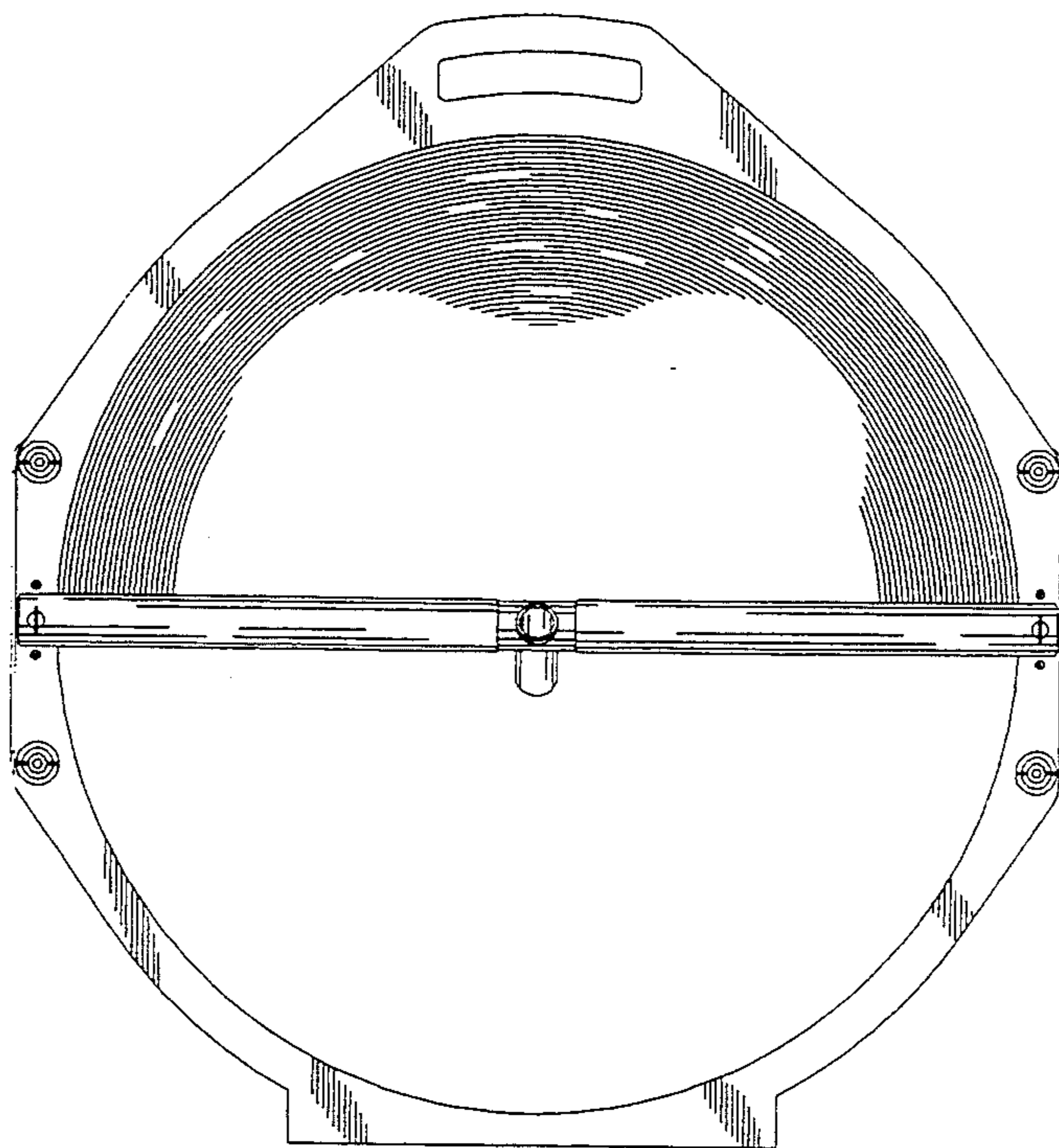
### [56] References Cited

#### U.S. PATENT DOCUMENTS

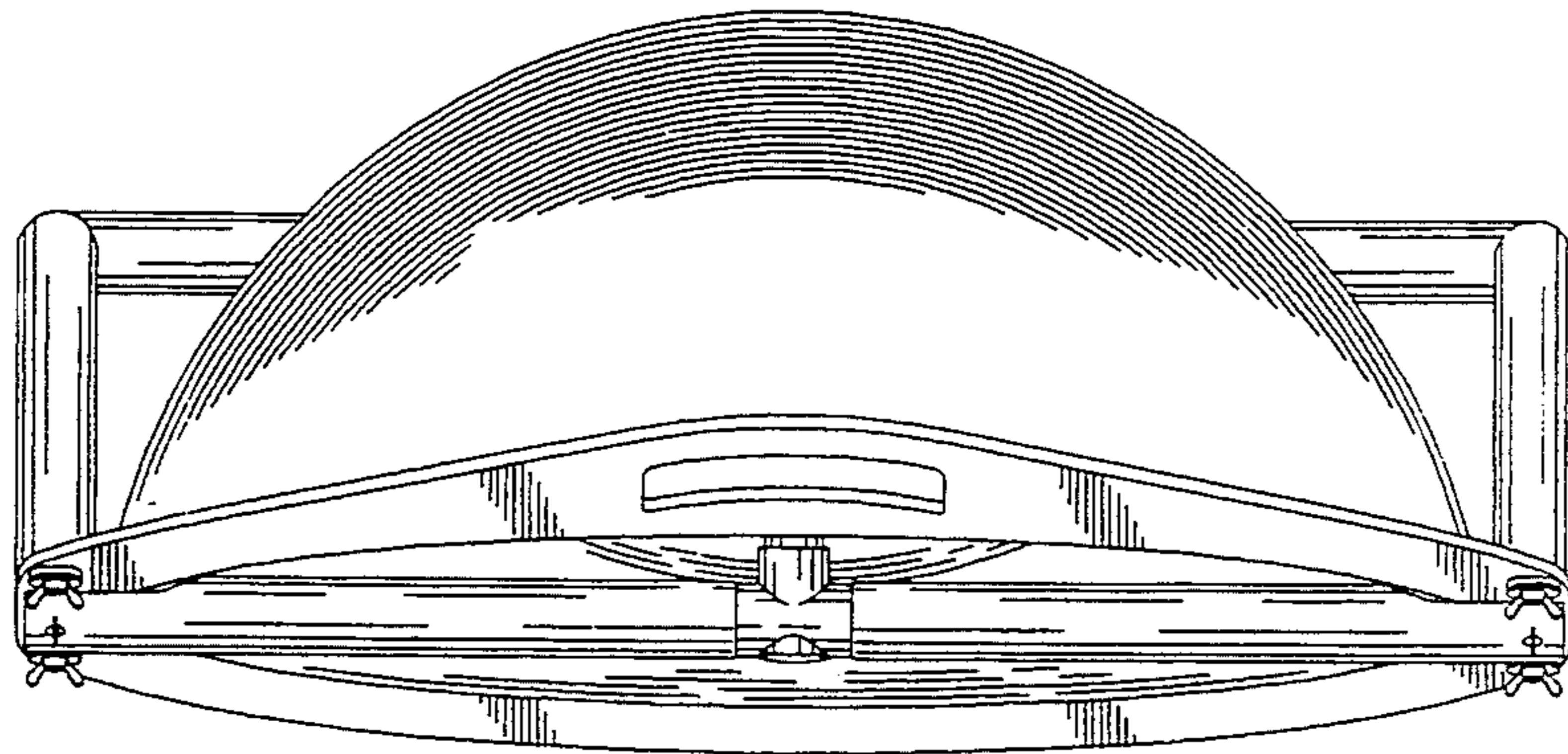
D. 74,615 3/1928 Lyons ..... D14/211  
2,534,271 12/1950 Kienow ..... D14/231 X  
3,553,731 1/1971 Szirtes ..... D14/231 X  
4,022,976 5/1977 O'Brien, deceased et al. .... 379/444 X

### DESCRIPTION

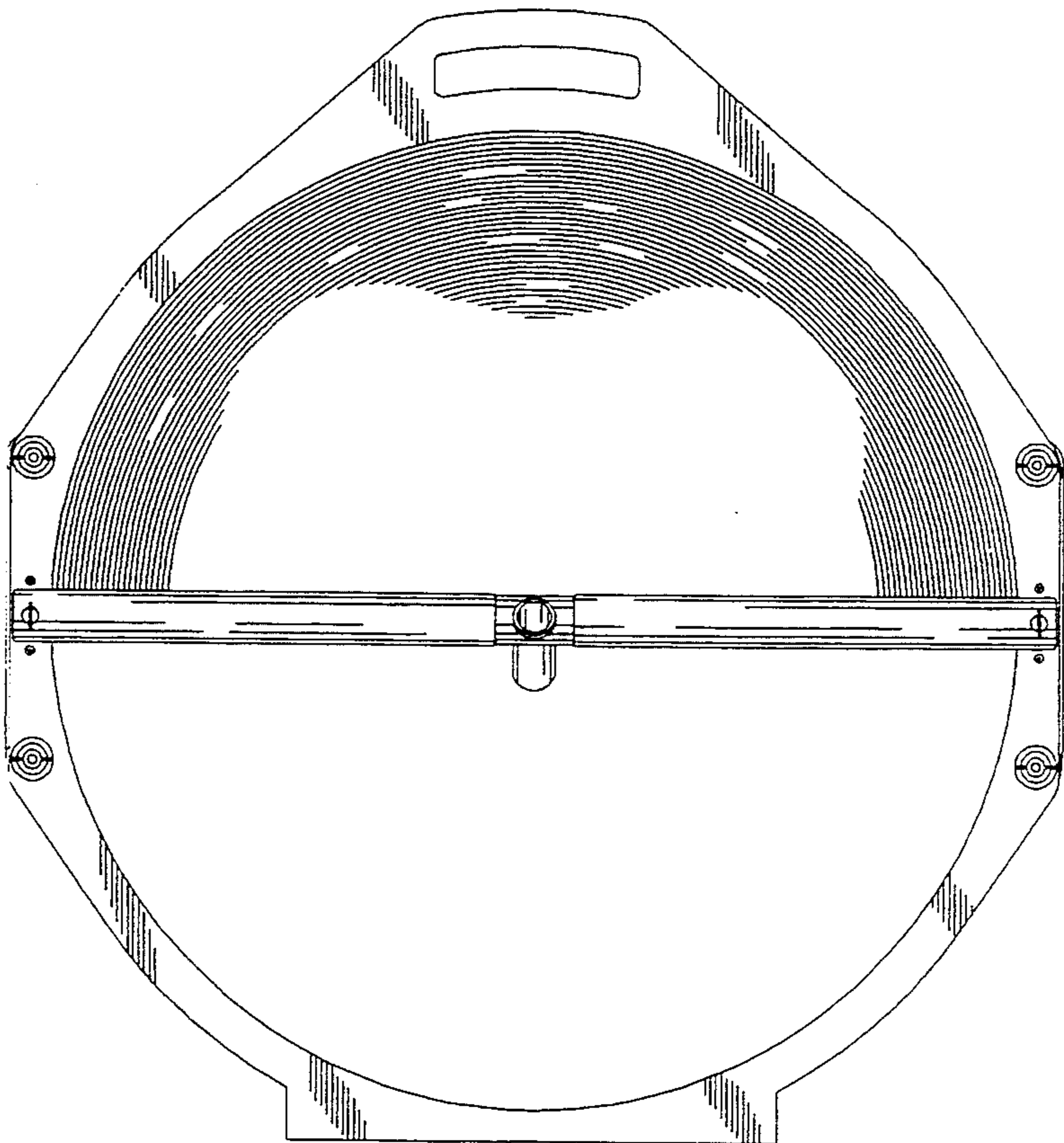
FIG. 1 is a front elevational view of a parabolic listening device showing my new design; FIG. 2 is a top plan view thereof; FIG. 3 is a bottom plan view thereof; FIG. 4 is a right side view thereof; FIG. 5 is a left side view thereof; and, FIG. 6 is a rear elevational view.



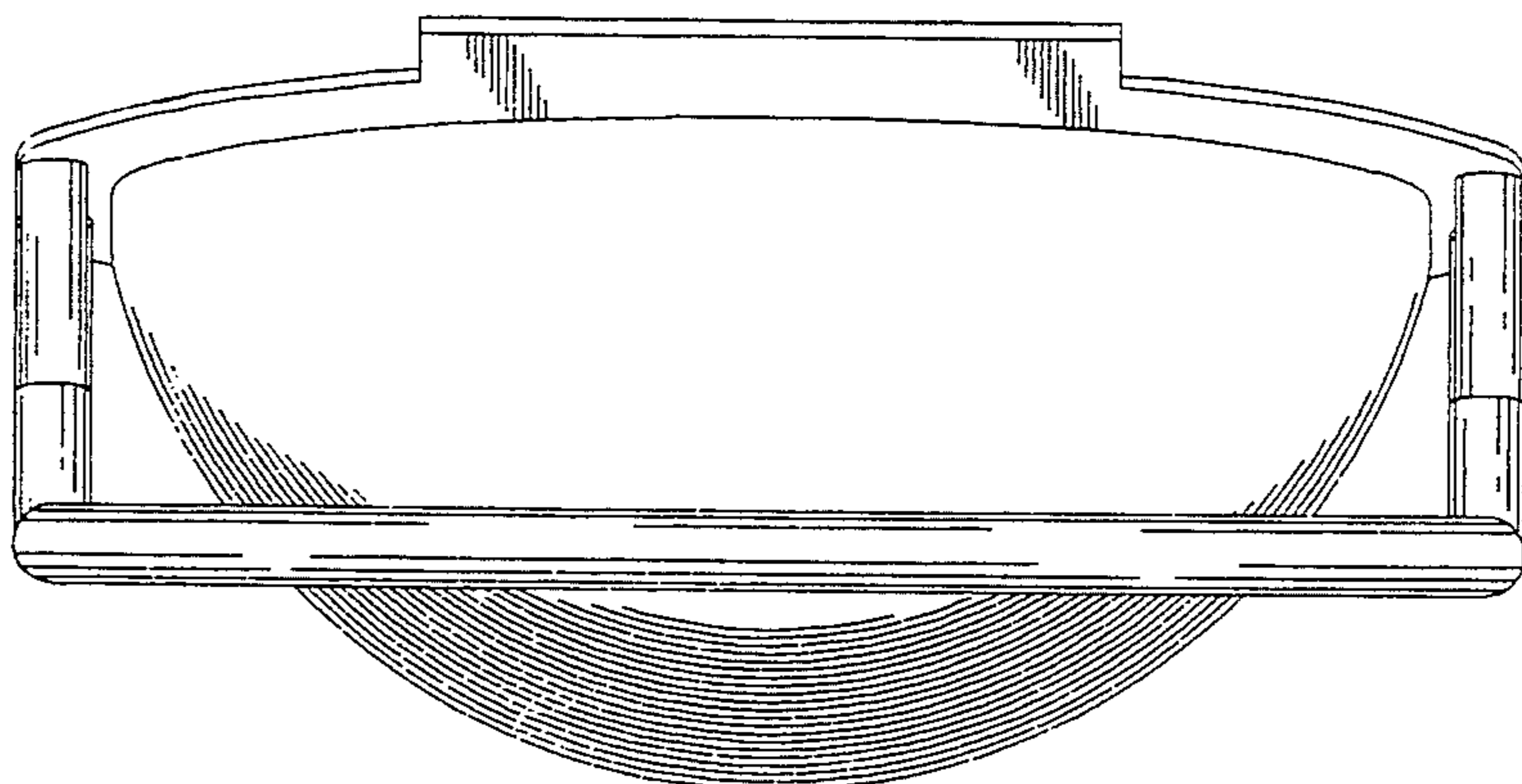
*FIG. 2*



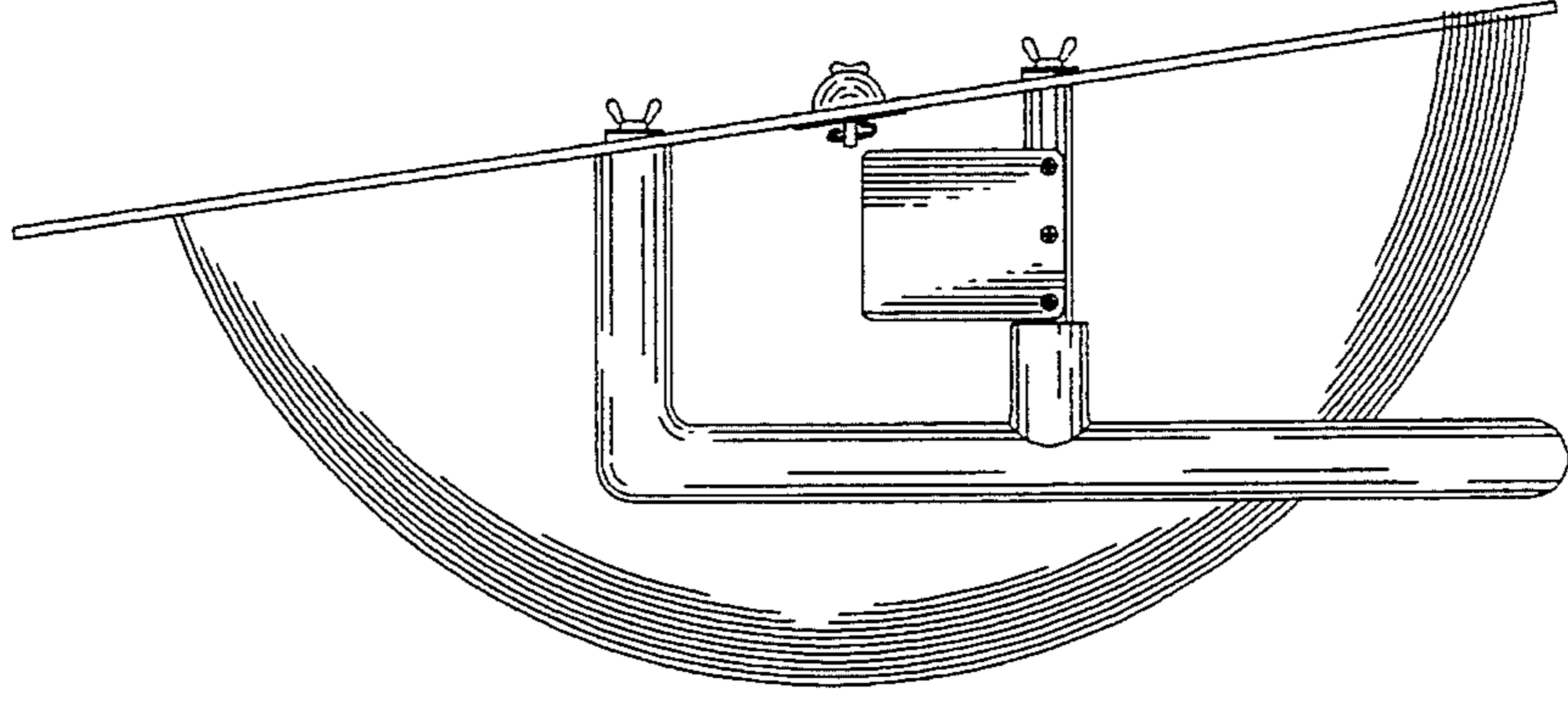
*FIG. 1*



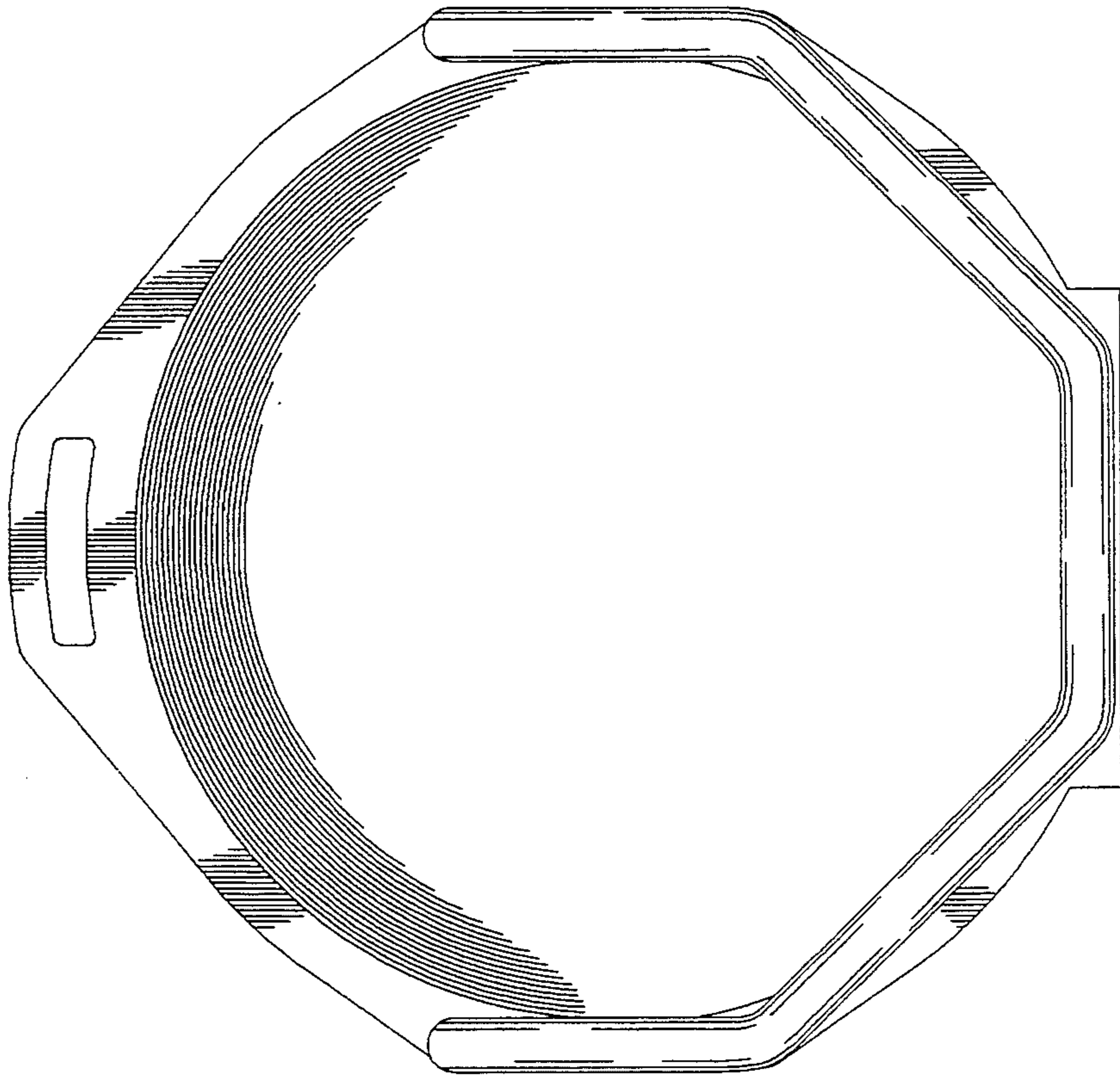
*FIG. 3*



**FIG. 5**



**FIG. 6**



**FIG. 4**

