



US00D356086S

United States Patent [19]

[11] Patent Number: **Des. 356,086**

Townsend et al.

[45] Date of Patent: **** Mar. 7, 1995**

[54] **PORTABLE SELECTIVE CALL MESSAGE TERMINAL**

[75] Inventors: **David P. Townsend**, West Palm Beach; **Robert Kurcbart**, Boca Raton; **Eugene R. Fay**, Delray Beach, all of Fla.

[73] Assignee: **Motorola, Inc.**, Schaumburg, Ill.

[**] Term: **14 Years**

[21] Appl. No.: **18,354**

[22] Filed: **Feb. 4, 1994**

[52] U.S. Cl. **D14/150; D14/191; D14/241**

[58] **Field of Search** D14/140, 142, 149-151, D14/240, 241, 100, 191, 155, 159, 137, 138; 379/440, 428, 419, 420, 441, 442; 455/128, 73, 89, 90; D13/107, 108

[56] **References Cited**

U.S. PATENT DOCUMENTS

- D. 266,509 10/1982 Marshall D14/100 X
- D. 283,892 5/1986 Cutler D14/137

- D. 320,982 10/1991 Siddoway D14/137
- D. 325,585 4/1992 Gordon D14/241
- D. 329,221 9/1992 Khoo D13/107
- D. 332,450 1/1993 Kolinen D14/151
- D. 343,614 1/1994 Khoo et al. D14/137
- D. 344,521 2/1994 Dezonno et al. D14/241

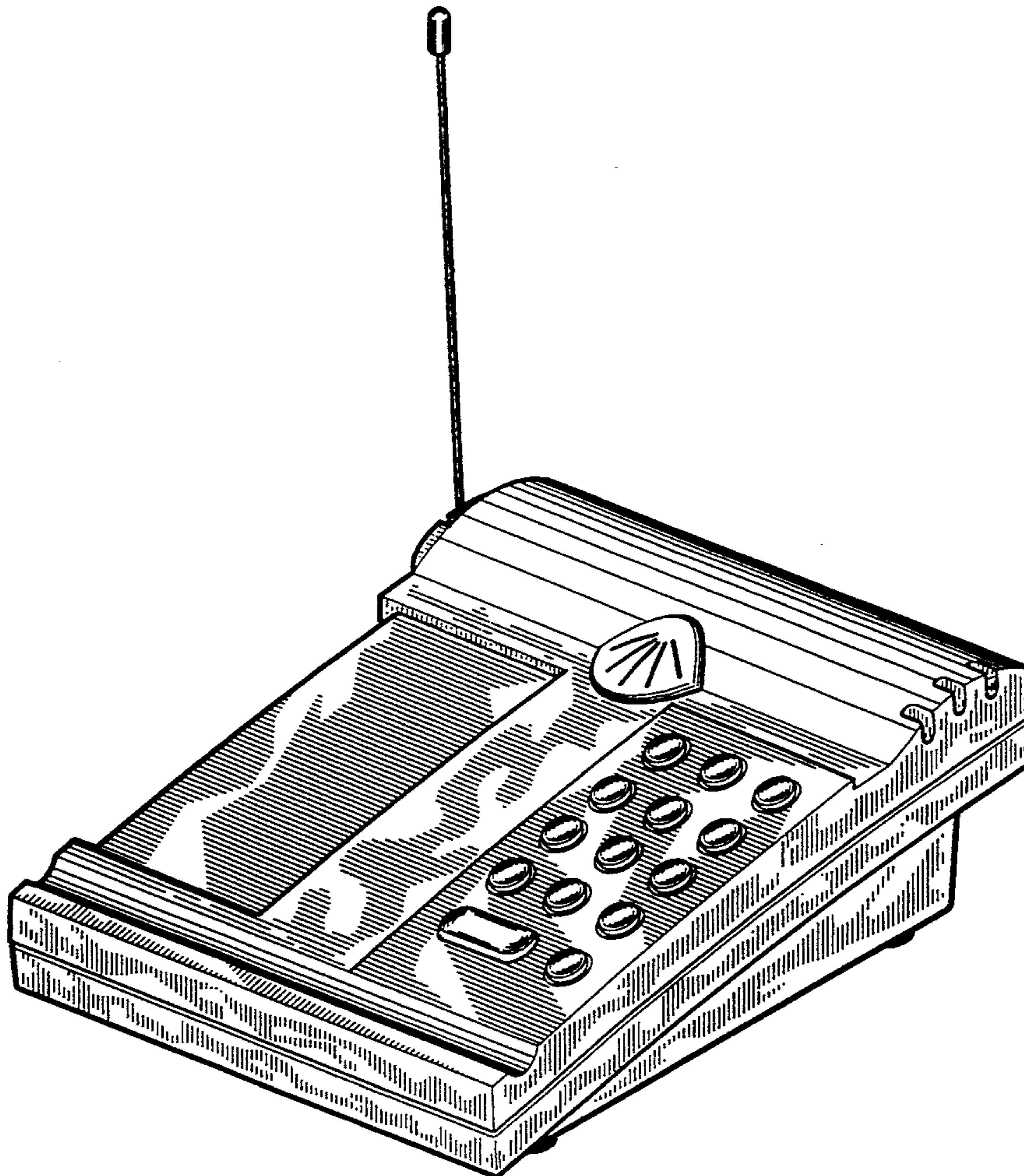
Primary Examiner—Nelson C. Holtje
Assistant Examiner—Jeffrey Asch
Attorney, Agent, or Firm—Gregg E. Razor; John H. Moore

[57] **CLAIM**

The ornamental design for a portable selective call message terminal, as shown and described.

DESCRIPTION

FIG. 1 is a top plan view of a portable selective call message terminal showing our new design; FIG. 2 is a bottom plan view thereof; FIG. 3 is a front elevational view thereof; FIG. 4 is a rear elevational view thereof; and FIG. 5 is a left side elevational view thereof; FIG. 6 is a right side elevational view thereof; and, FIG. 7 is a top, front, and right side perspective view thereof.



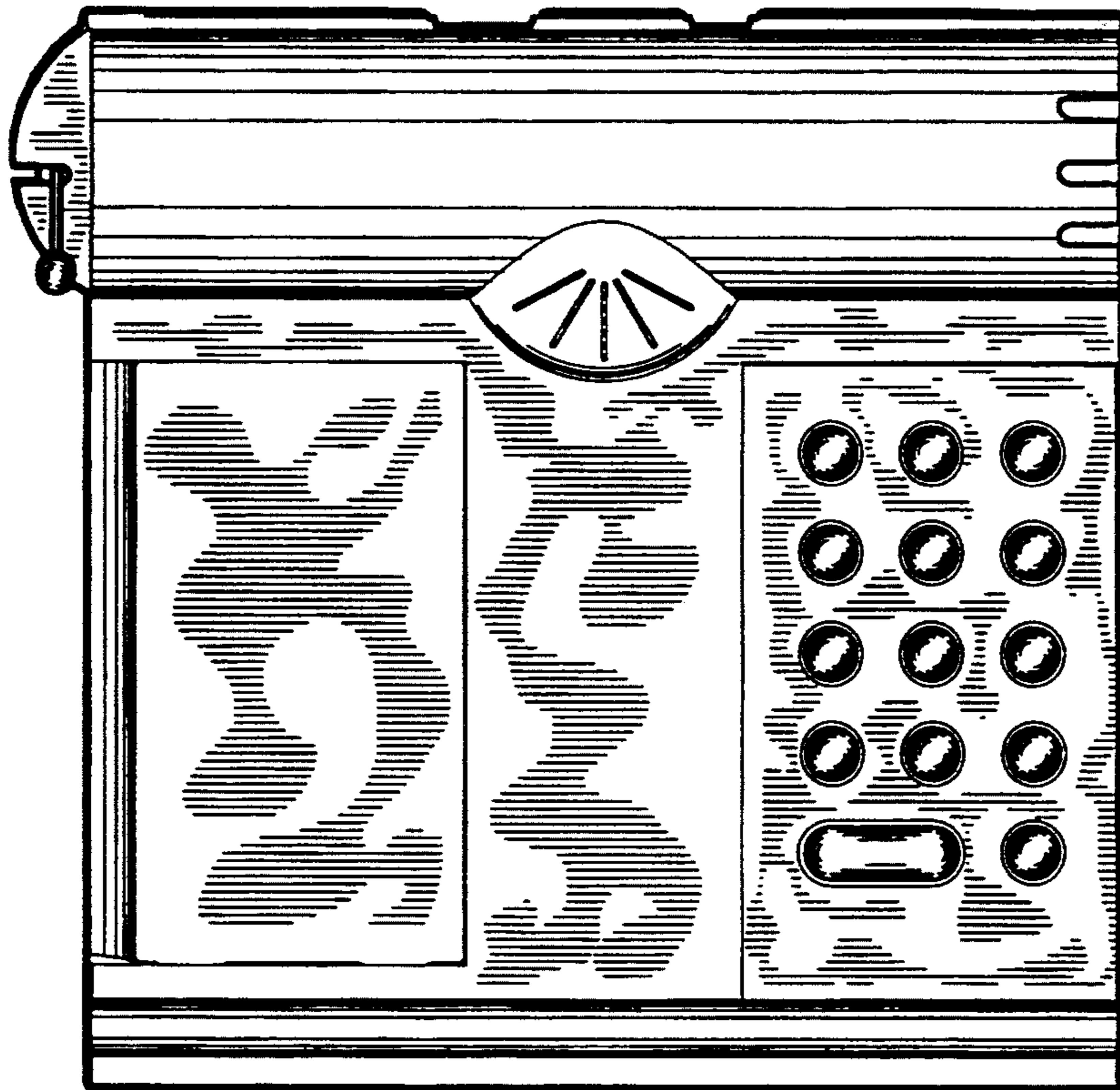


FIG. 1

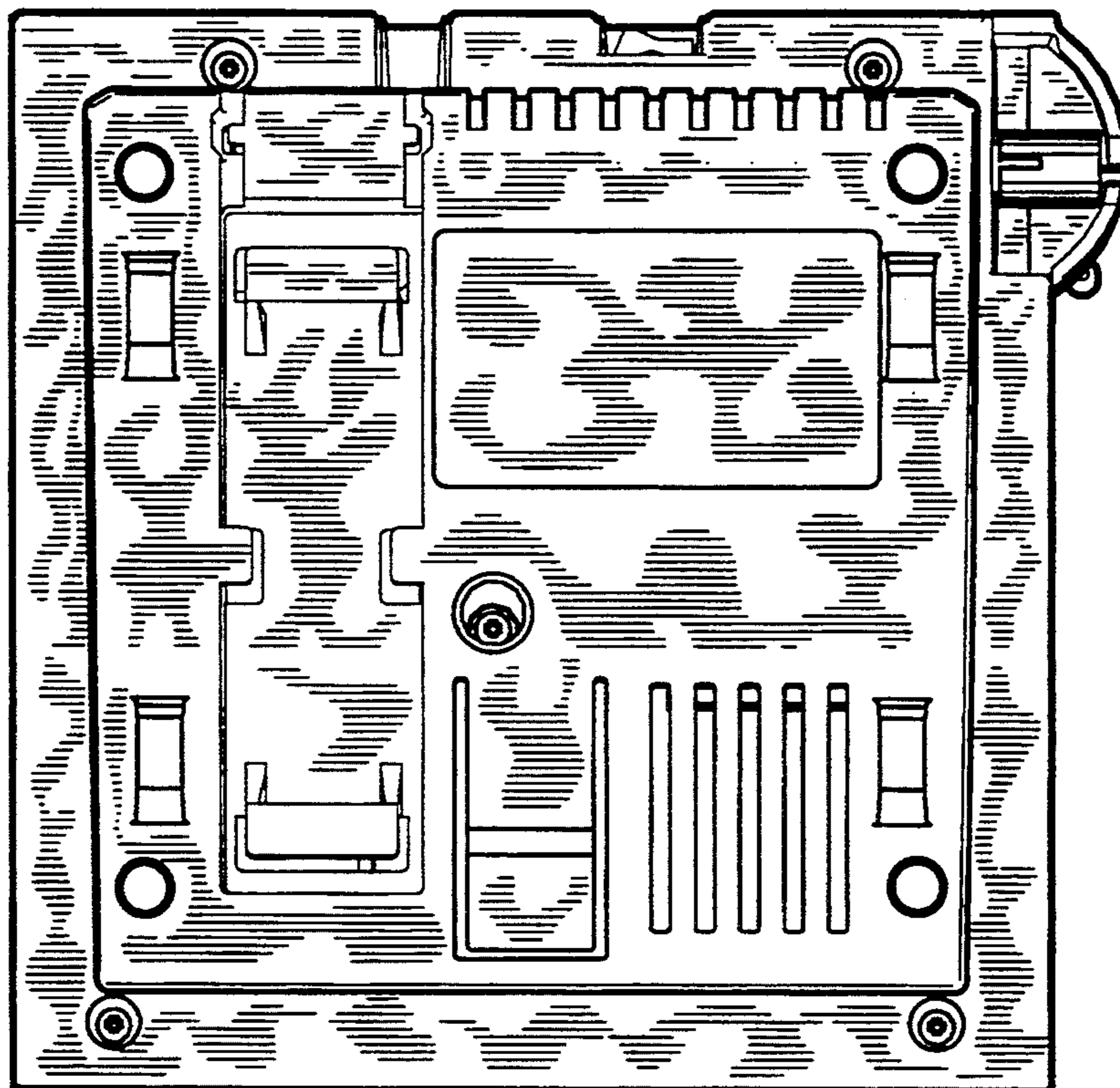


FIG. 2

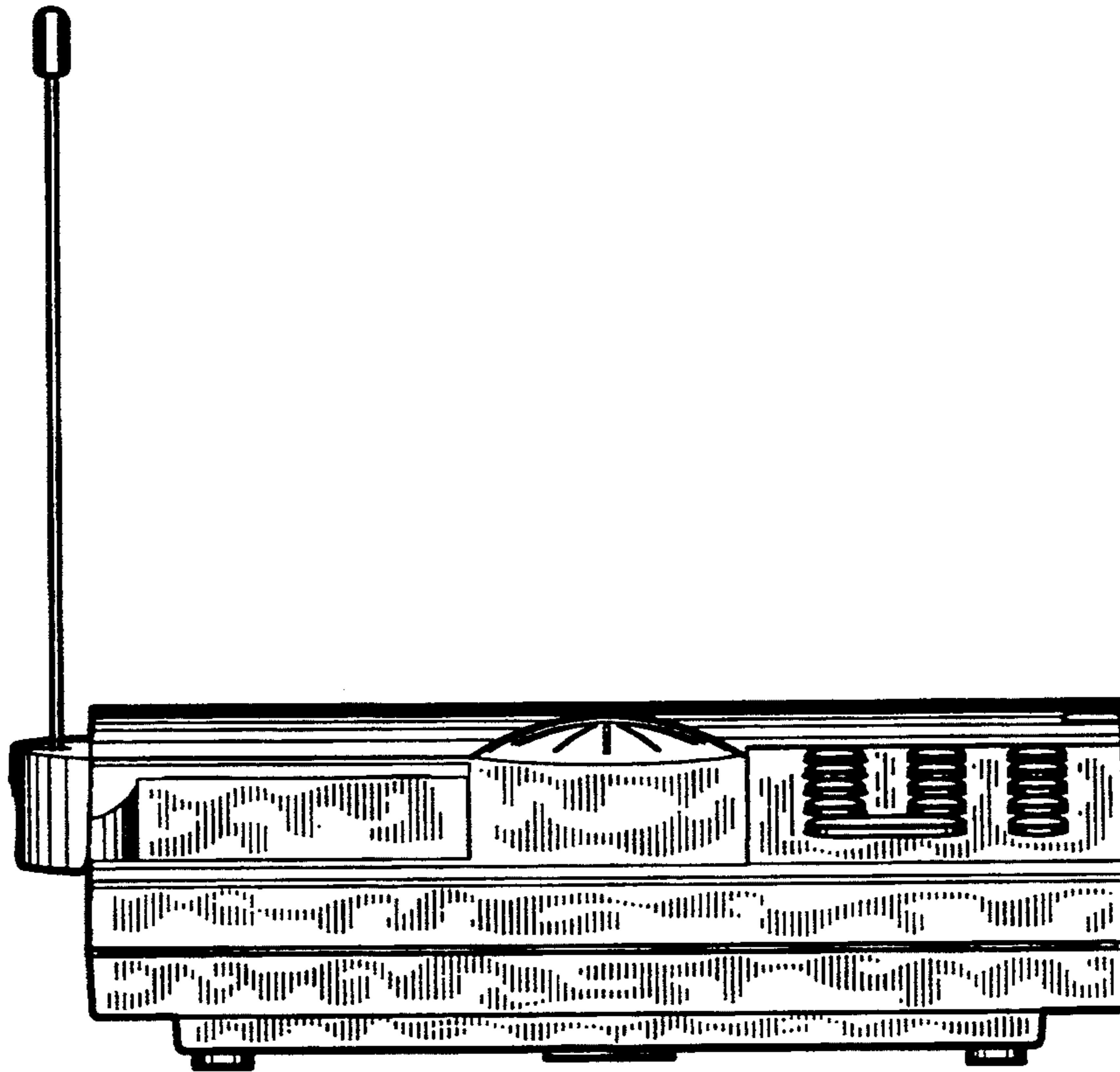


FIG. 3

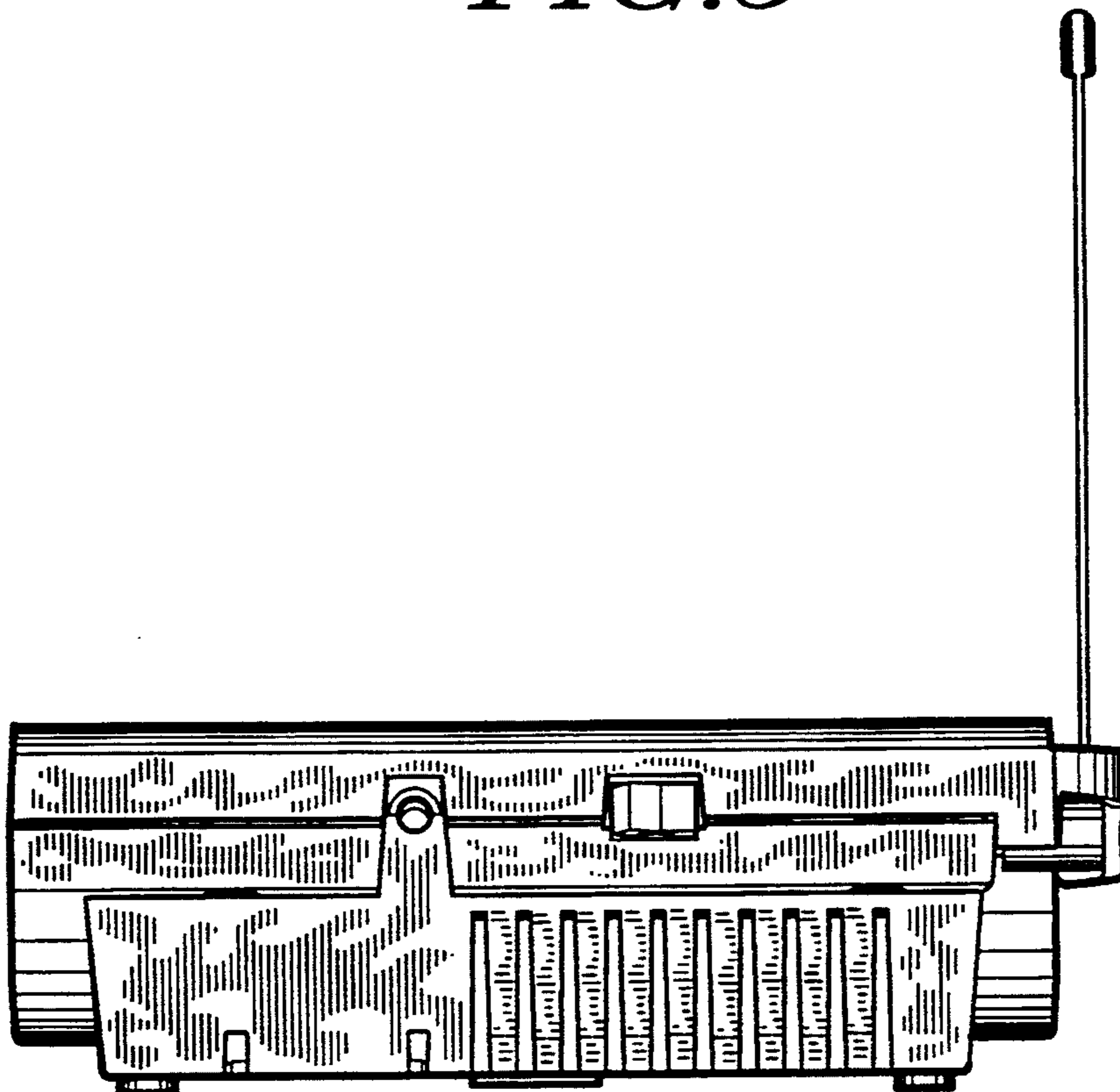


FIG. 4

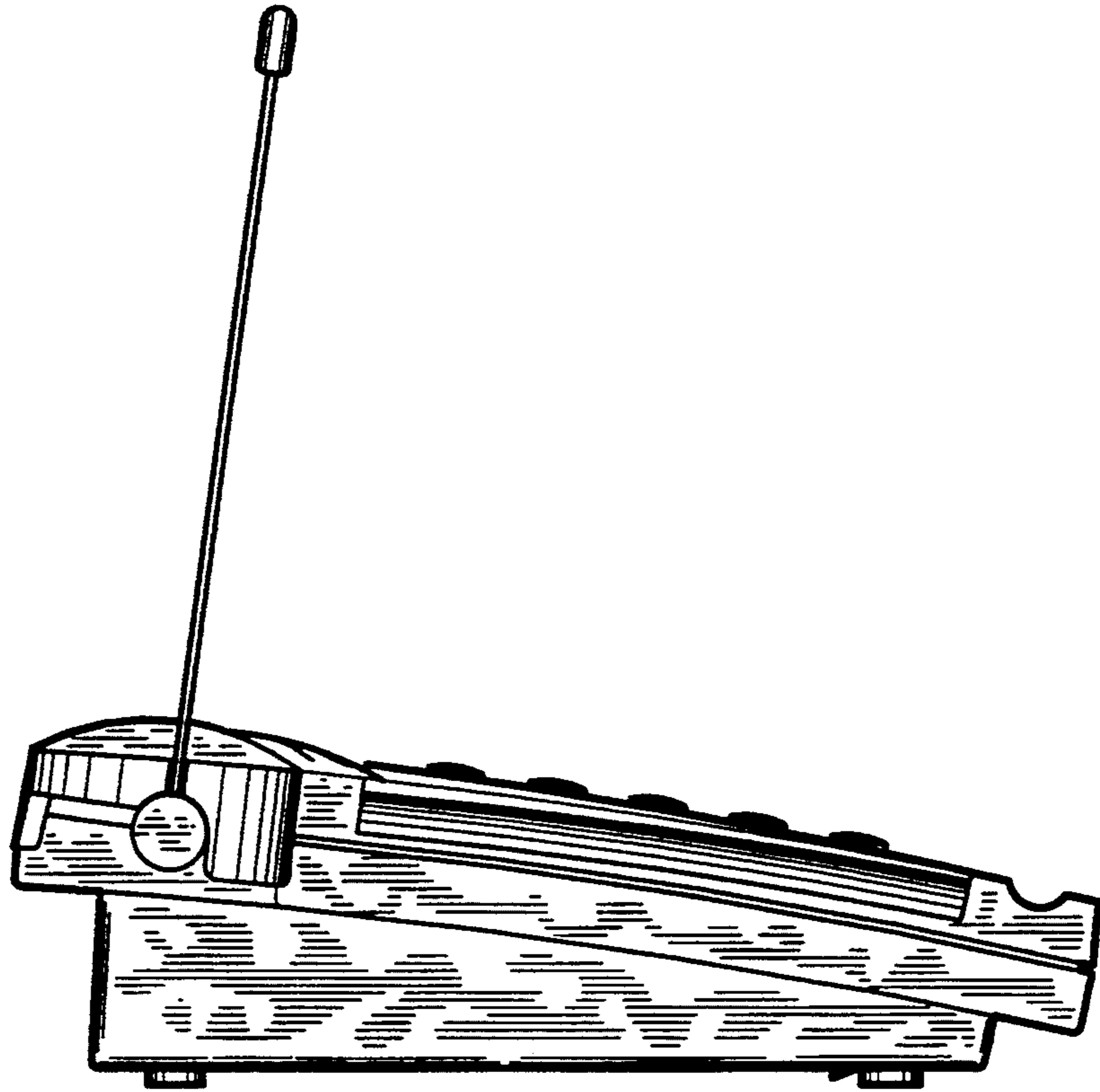


FIG. 5

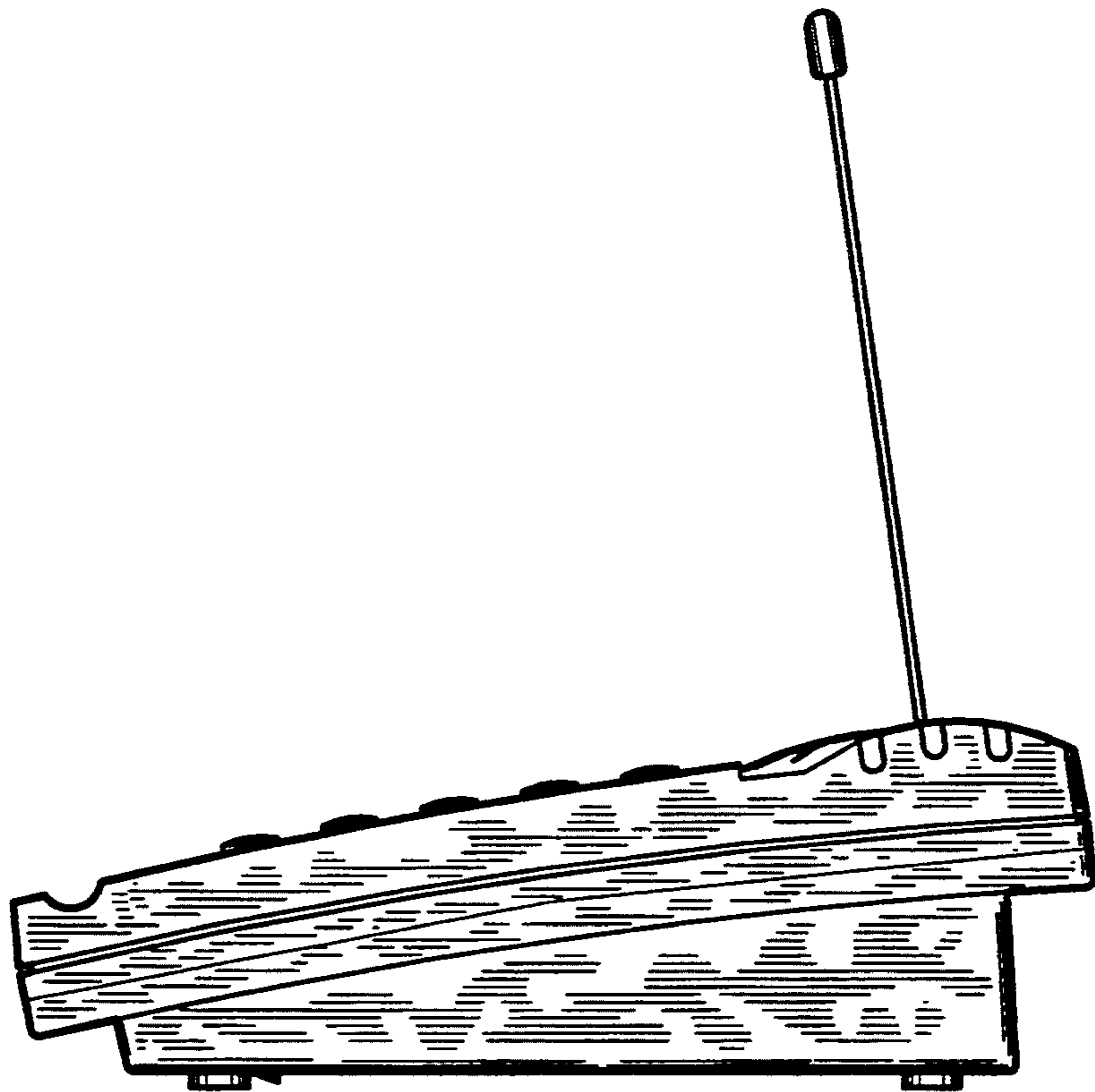


FIG. 6

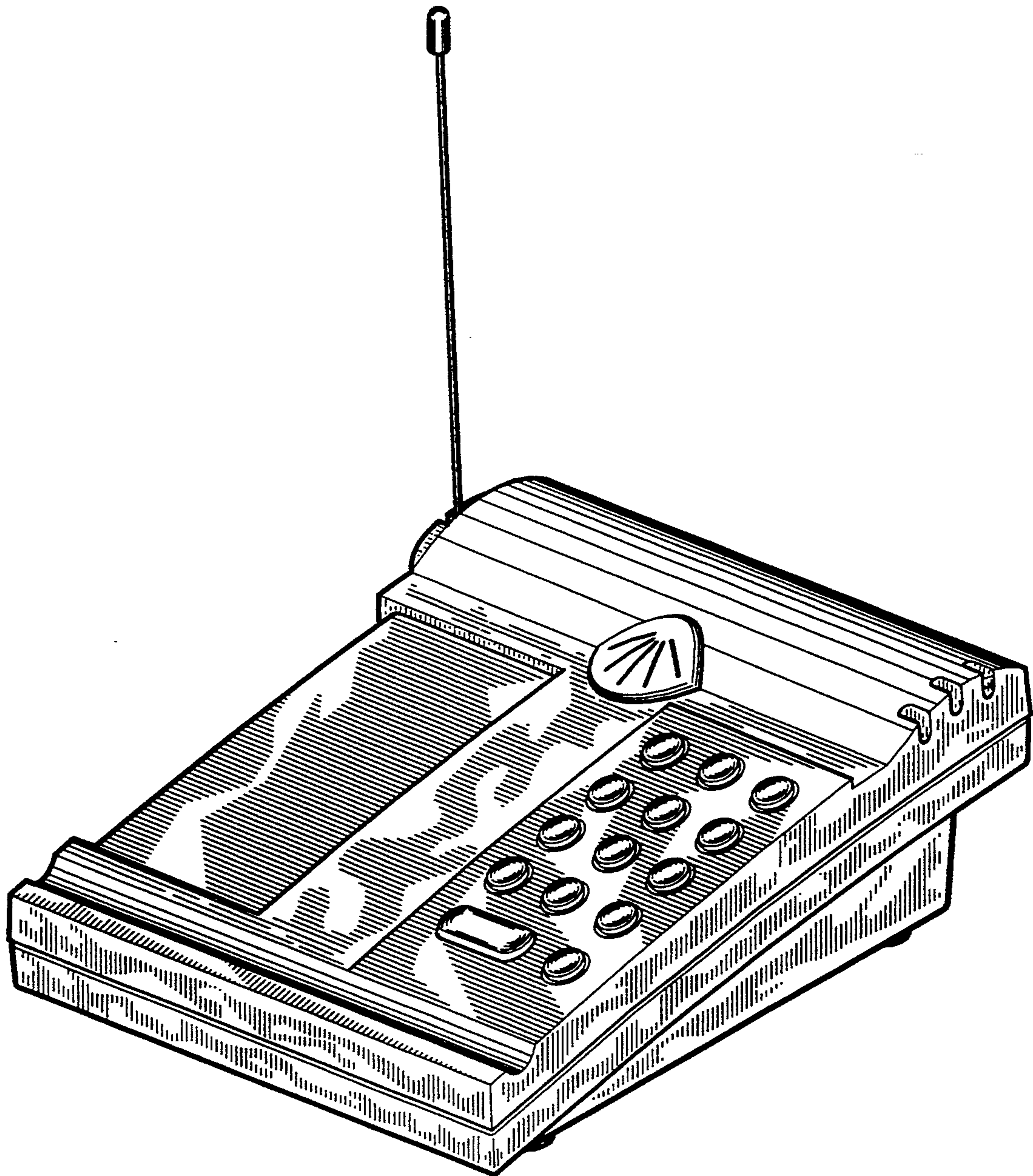


FIG. 7