



US00D356074S

United States Patent [19]

[11] Patent Number: **Des. 356,074**

Coblentz et al.

[45] Date of Patent: **** Mar. 7, 1995**

[54] **COMBINED ADJUSTABLE HOLDER AND MOUNT FOR A POINT-OF-SALE KEYPAD AND PRINTER**

4,923,154	5/1990	Konkel	D14/114 X
5,106,047	4/1992	Baer	248/174 X
5,284,253	2/1994	Watt et al.	211/13
5,289,923	3/1994	Coblentz et al.	211/13

[75] Inventors: **Fred C. Coblentz**, Lake Forest;
William D. Watt, Walnut, both of Calif.

Primary Examiner—James M. Gandy
Assistant Examiner—M. H. Tung
Attorney, Agent, or Firm—Joseph E. Rogers

[73] Assignee: **Atlantic Richfield Company**, Los Angeles, Calif.

[57] **CLAIM**

[**] Term: **14 Years**

The ornamental design for a combined adjustable holder and mount for a point-of-sale keypad and printer, as shown and described.

[21] Appl. No.: **11,160**

[22] Filed: **Jul. 28, 1993**

DESCRIPTION

[52] U.S. Cl. **D14/114**

[58] Field of Search D14/114; D6/449, 491,
D6/495, 396, 512; 248/458, 174, 131, 418, 415,
349; 211/13

FIG. 1 is a front perspective view of a combined adjustable holder and mount for a point-of-sale keypad and printer;

FIG. 2 is a front elevational view thereof;

FIG. 3 is a right side elevational view thereof, the left side elevational view being a mirror image thereof;

FIG. 4 is a rear elevational view thereof;

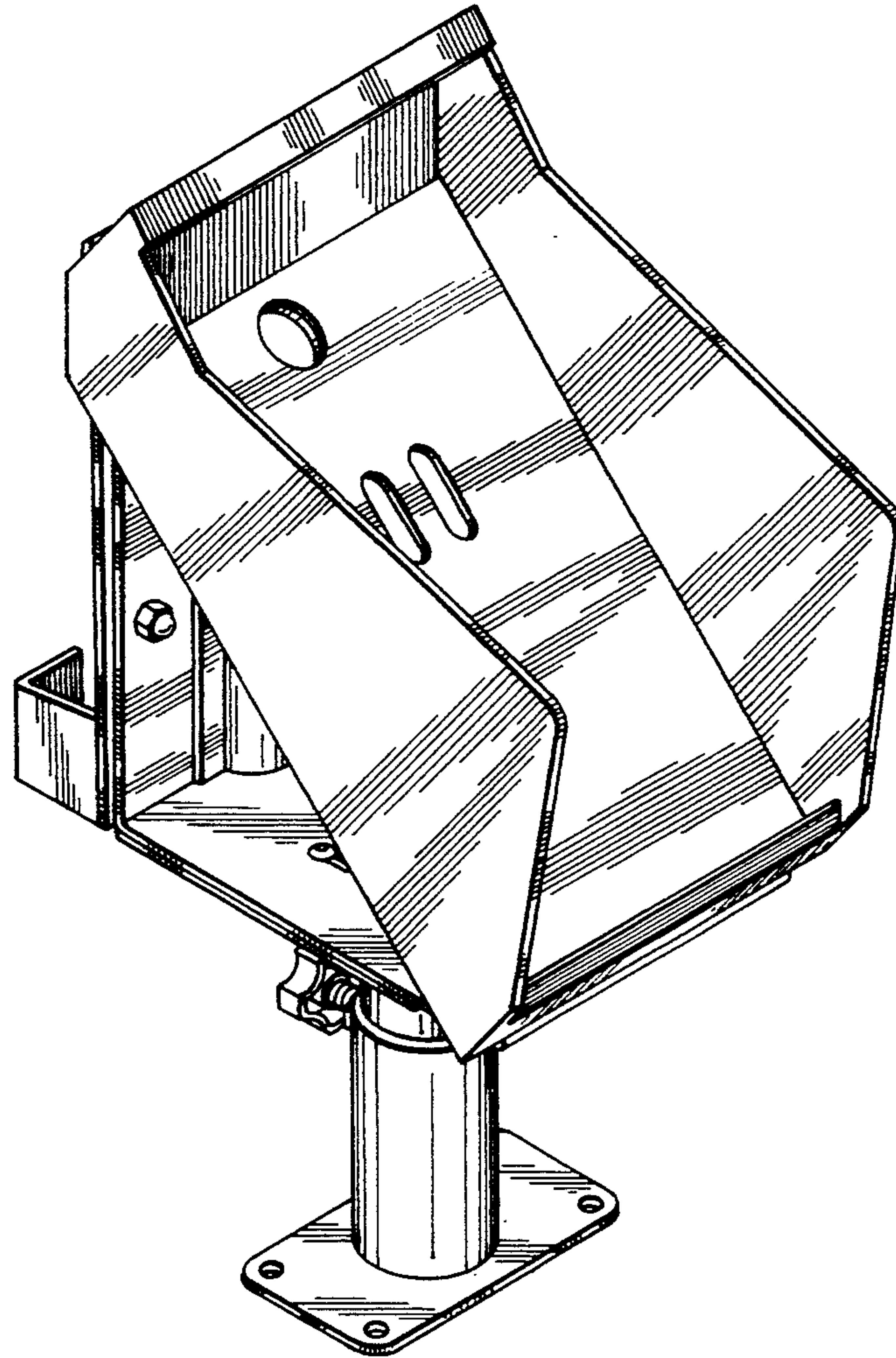
FIG. 5 is a top plan view thereof; and,

FIG. 6 is a bottom plan view thereof.

[56] **References Cited**

U.S. PATENT DOCUMENTS

D. 320,980	10/1991	Howard et al.	D14/114
D. 323,085	1/1992	Konkel	D14/114 X



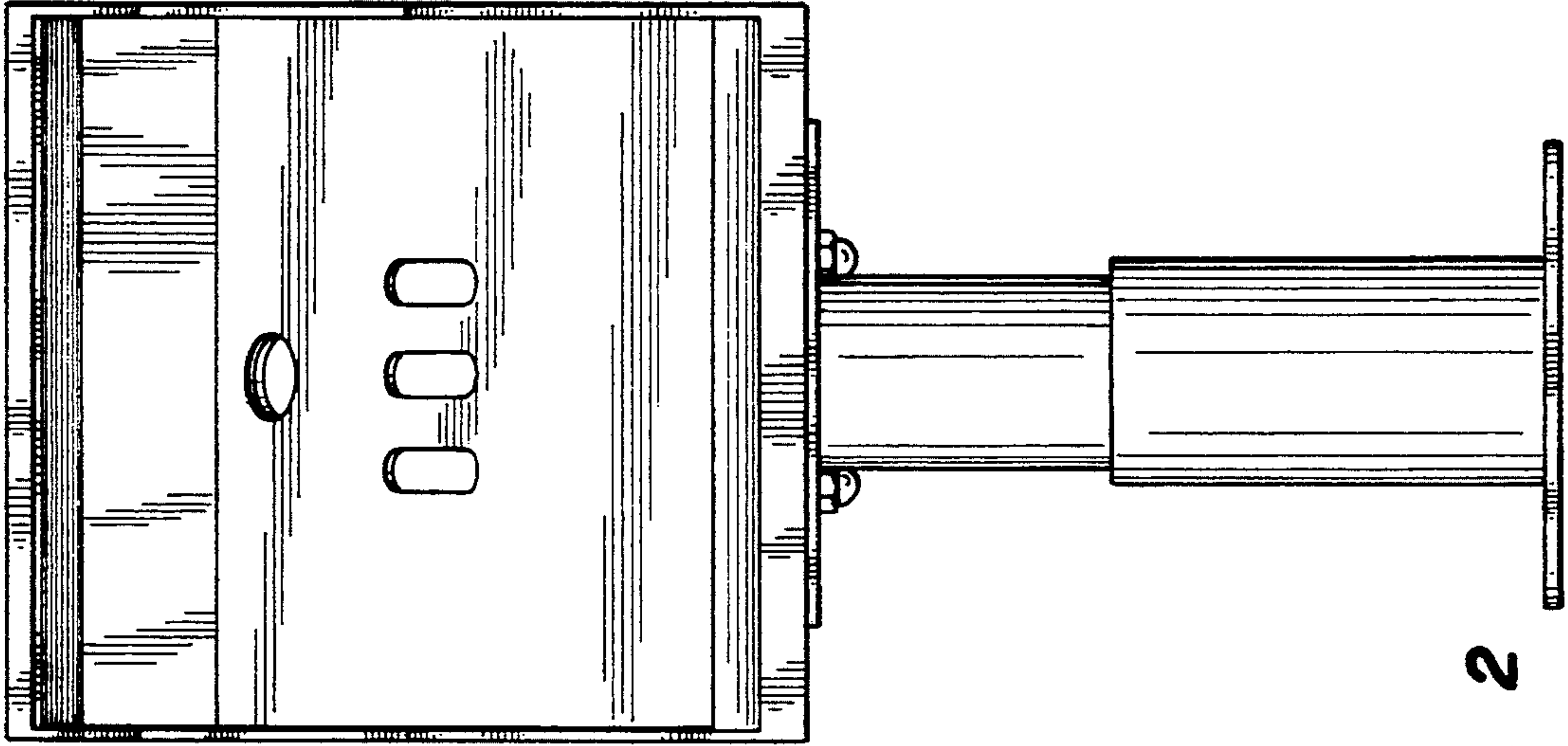


FIG. 2

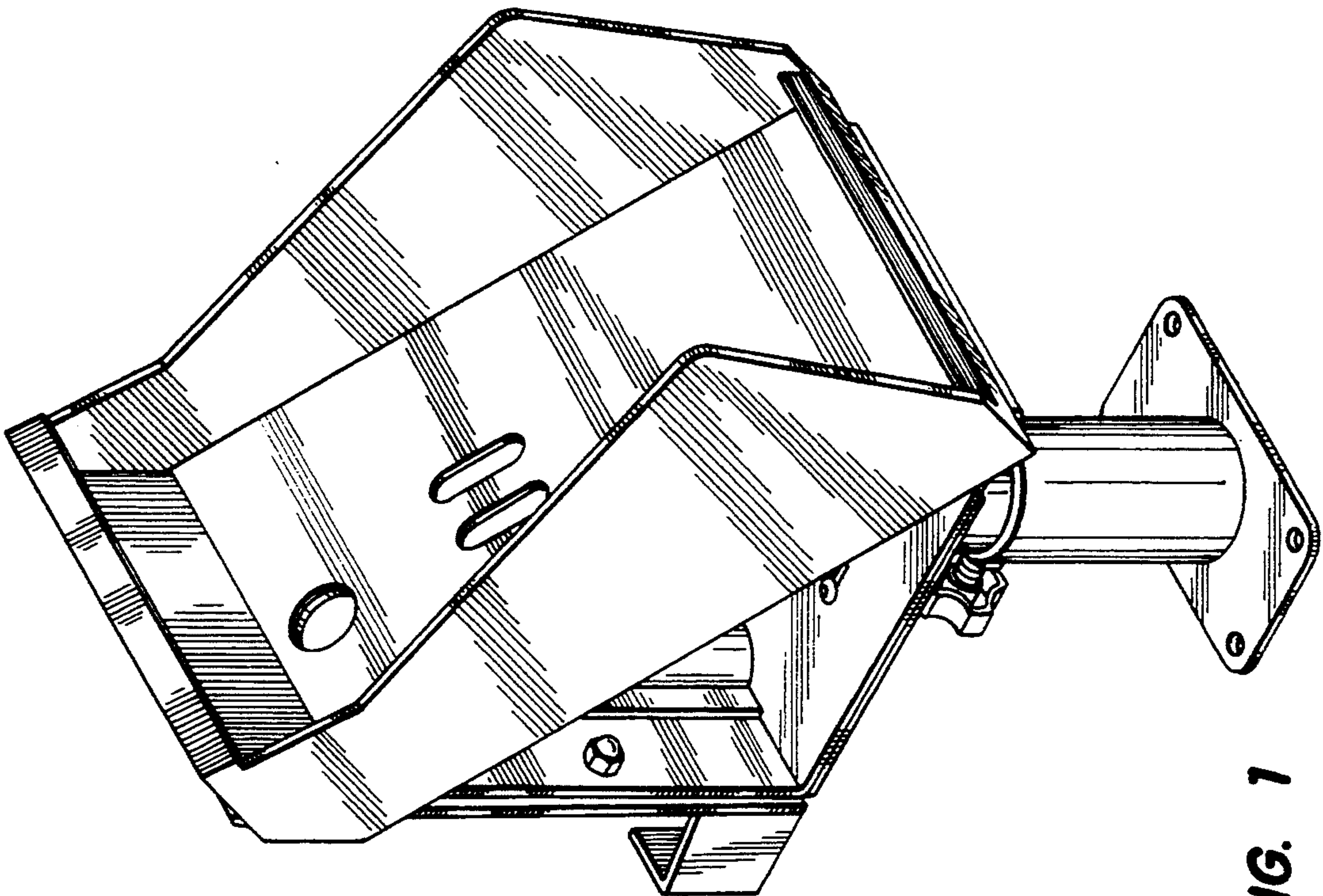


FIG. 1

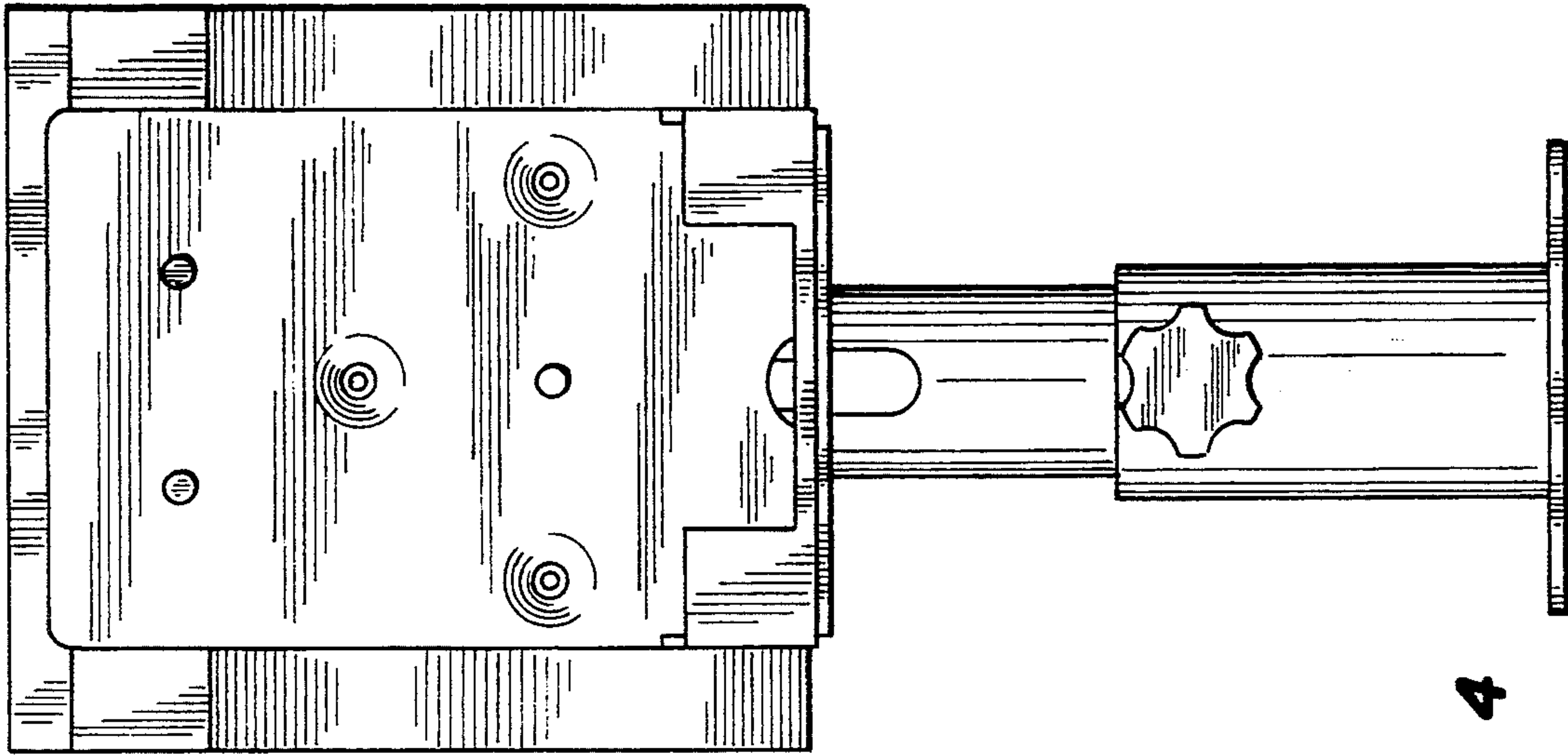


FIG. 4

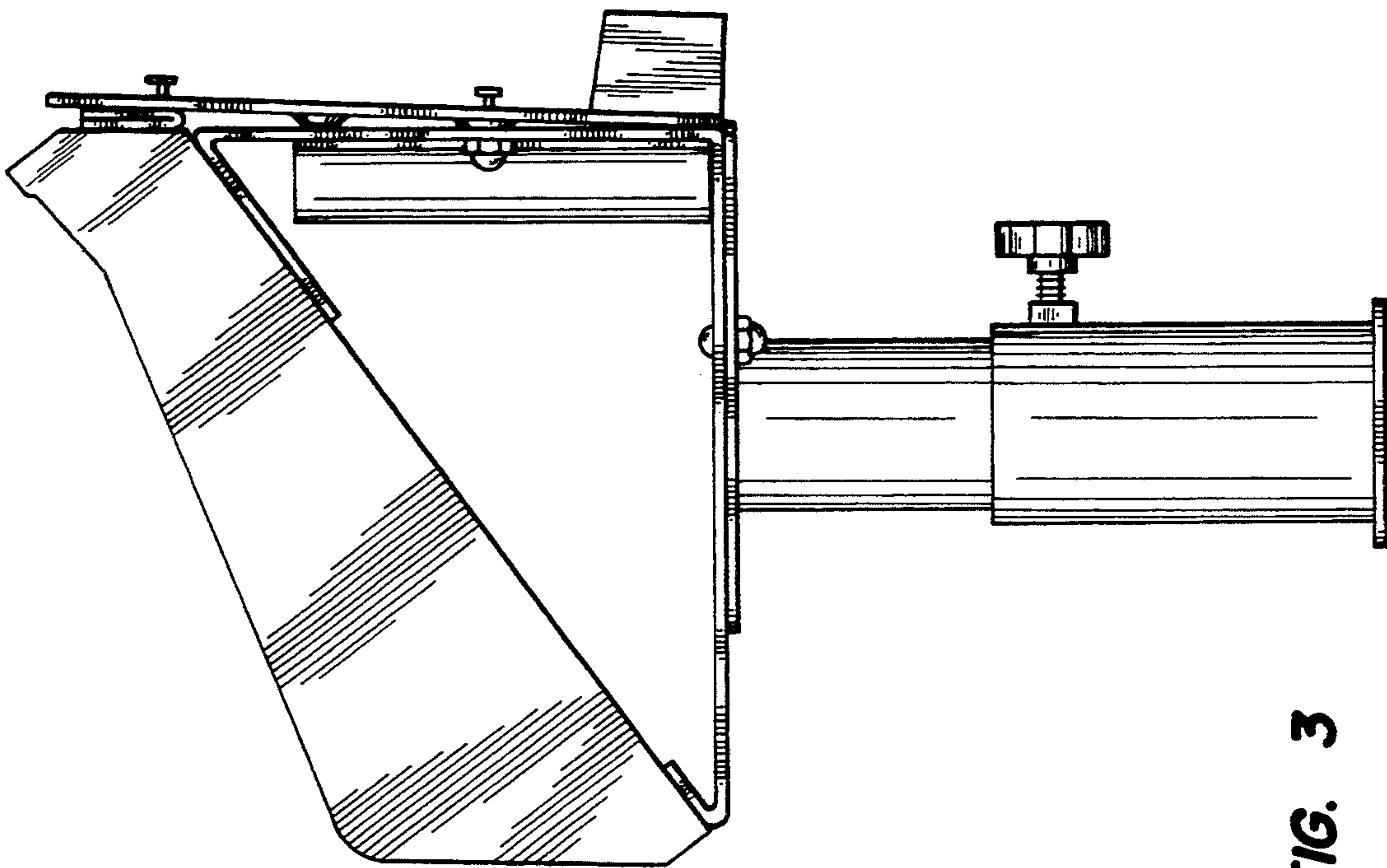


FIG. 3

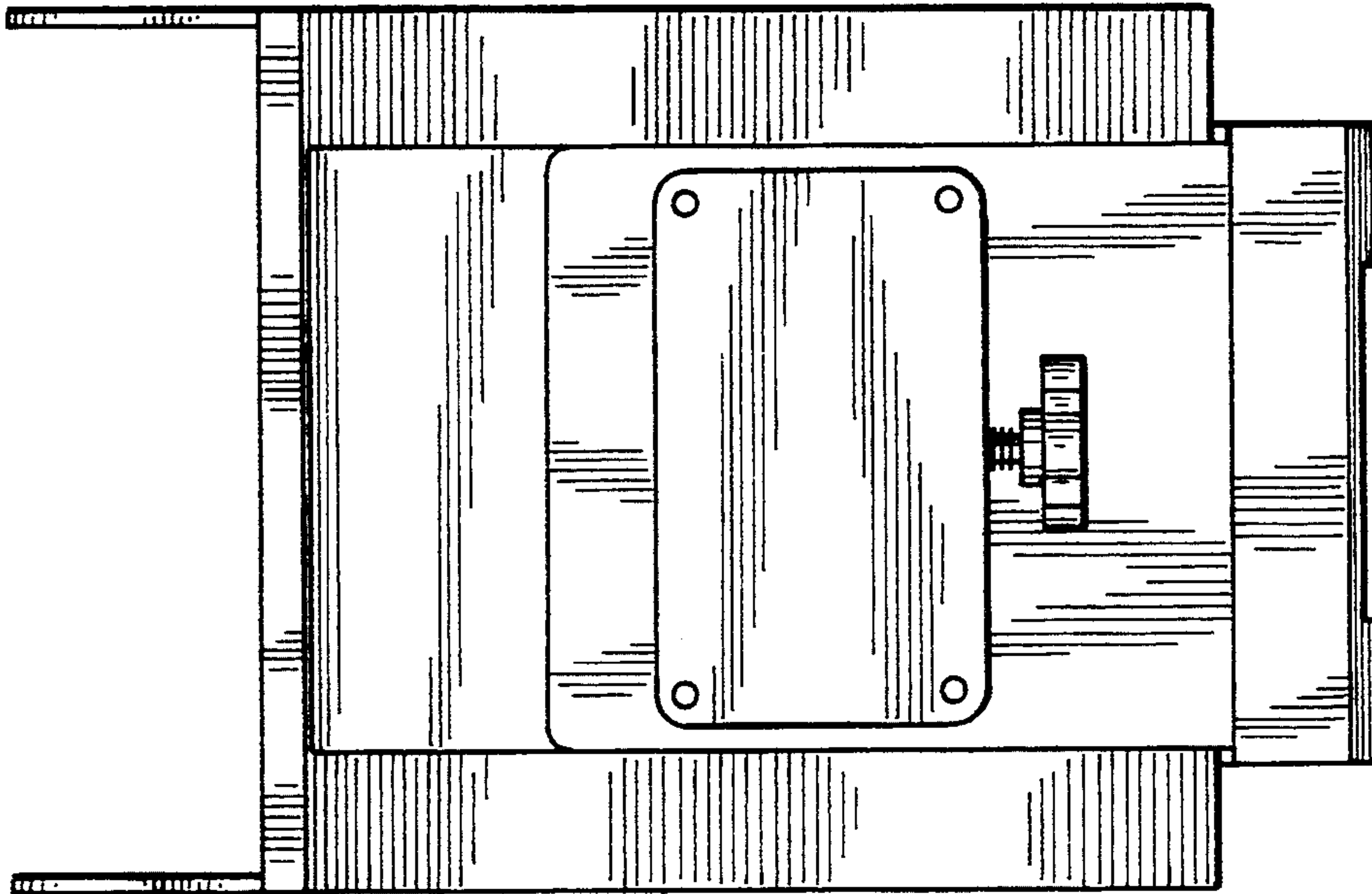


FIG. 6

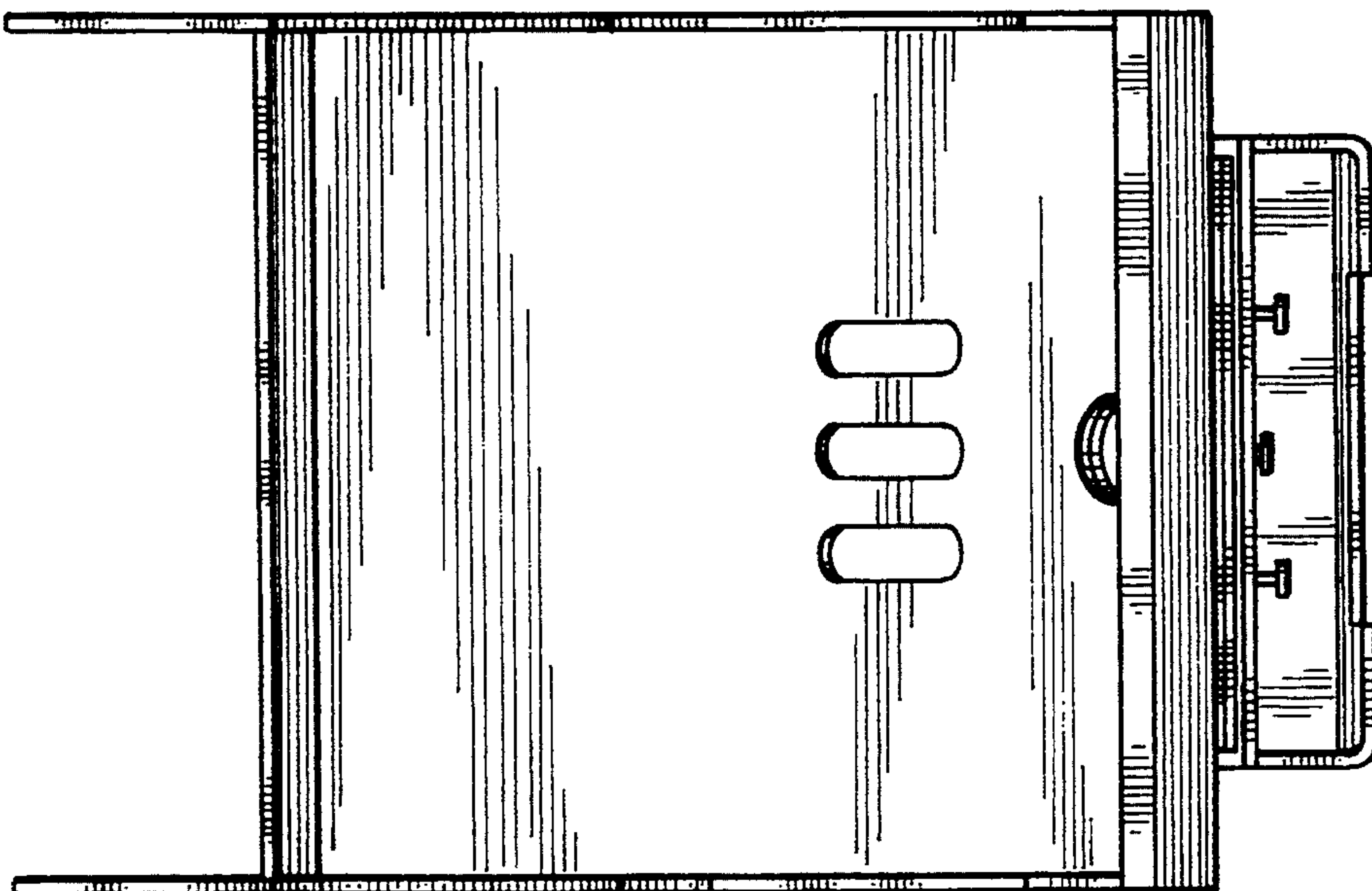


FIG. 5