



US00D356073S

# United States Patent [19]

[11] Patent Number: **Des. 356,073**

Armstrong et al.

[45] Date of Patent: **\*\* Mar. 7, 1995**

## [54] FOUR COURSE DISK ENCLOSURE

[75] Inventors: **Alison H. Armstrong**, San Francisco;  
**Michael S. Dann**, Mountain View;  
**Adam J. Richardson**, San Francisco,  
all of Calif.

[73] Assignee: **Sun Microsystems, Inc.**, Mountain  
View, Calif.

[\*\*] Term: **14 Years**

[21] Appl. No.: **10,604**

[22] Filed: **Jul. 9, 1993**

[52] U.S. Cl. .... **D14/109**

[58] Field of Search ..... **D14/100, 102, 107-109;**  
**D13/162, 184, 199; 312/208.1, 223.2, 223.3,**  
**194; 360/97.01, 97.04, 98.01, 99.01, 99.12;**  
**361/600, 622, 724-728**

## [56] References Cited

### U.S. PATENT DOCUMENTS

D. 304,823	11/1989	Pfeifer et al. ....	D14/100
D. 320,007	9/1991	Leverault et al. ....	D14/100
D. 323,818	2/1992	Willis et al. ....	D14/100
D. 336,075	6/1993	Wakefield et al. ....	D14/100

*Primary Examiner*—Freda S. Nunn

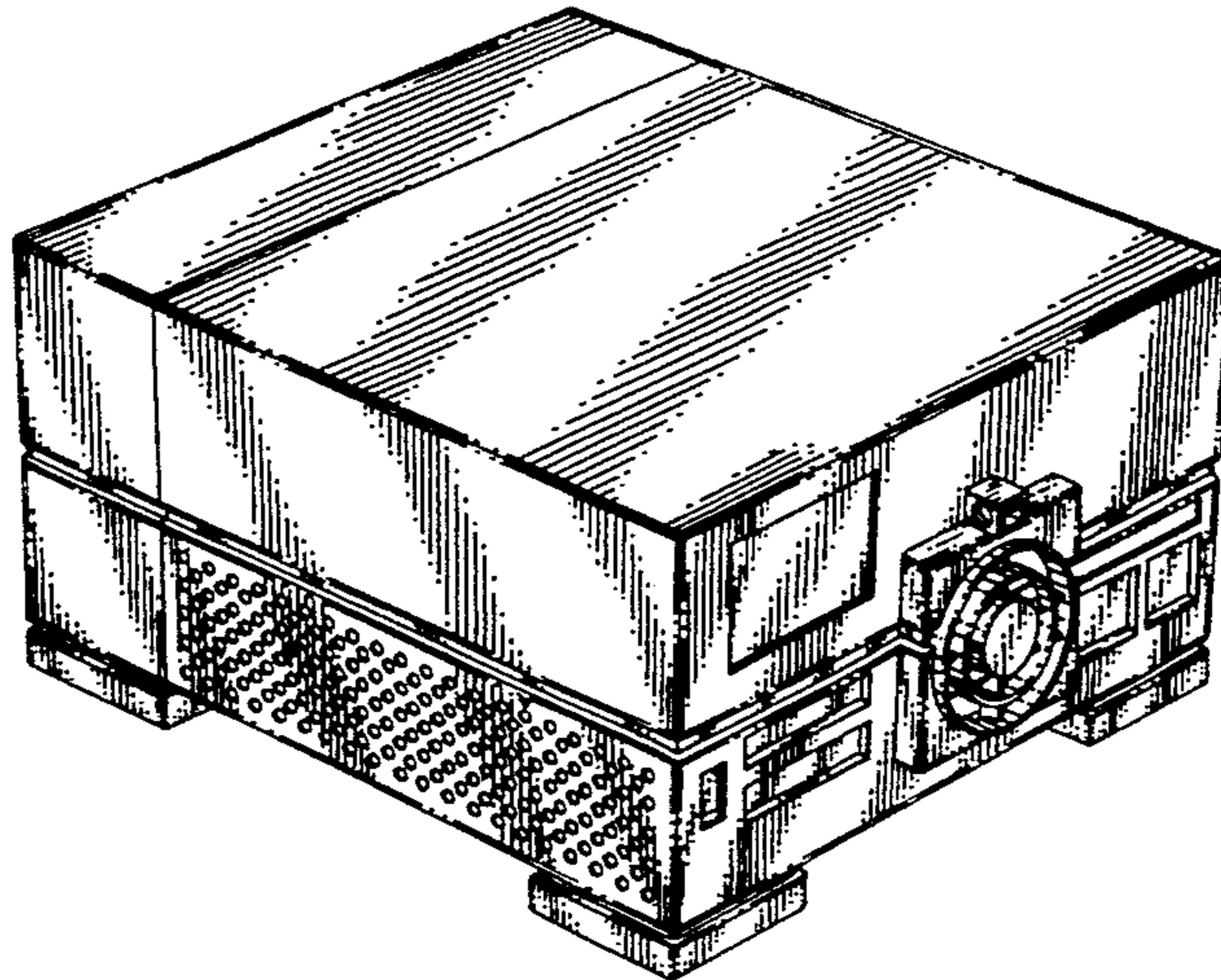
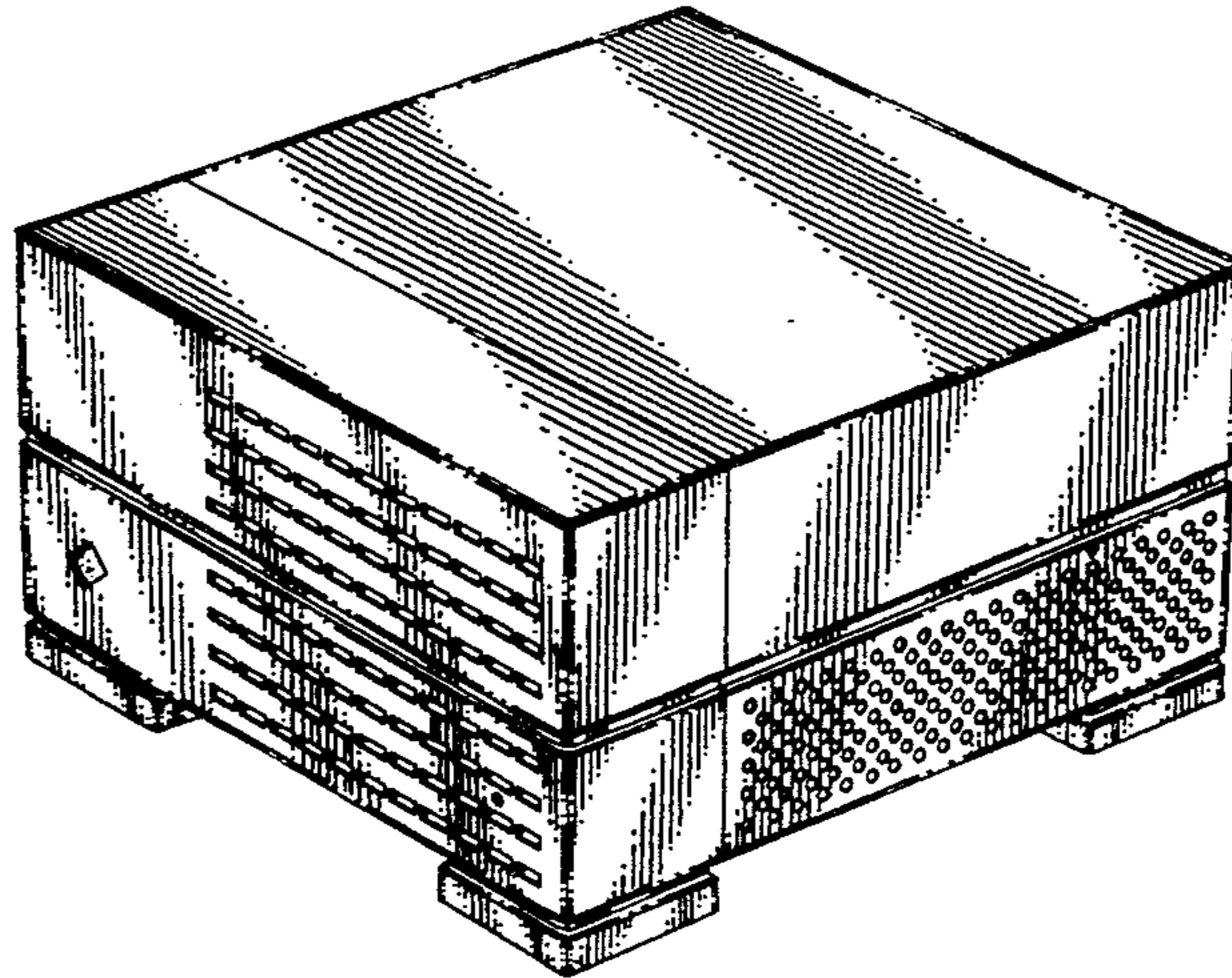
*Attorney, Agent, or Firm*—Erwin J. Basinski

## [57] CLAIM

The ornamental design for a four course disk enclosure, as shown and described.

## DESCRIPTION

FIG. 1 is a front perspective view of the four course disk enclosure comprising the present invention; FIG. 2 is a rear perspective view thereof; FIG. 3 is a top view thereof on an enlarged scale; FIG. 4 is a bottom view thereof; FIG. 5 is a front view thereof; FIG. 6 is a back view thereof; FIG. 7 is a right side view thereof; and, FIG. 8 is a left side view thereof.



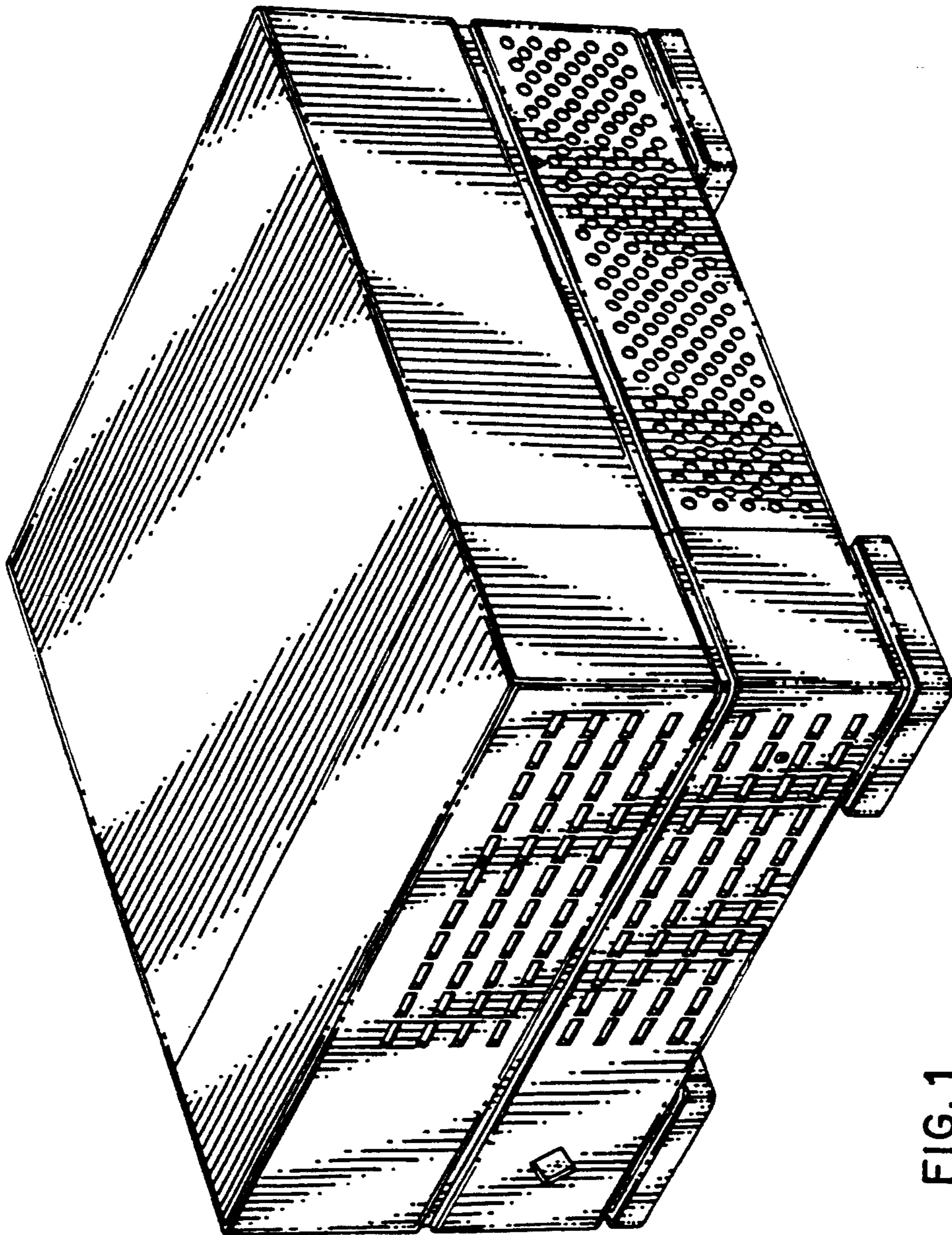


FIG. 1

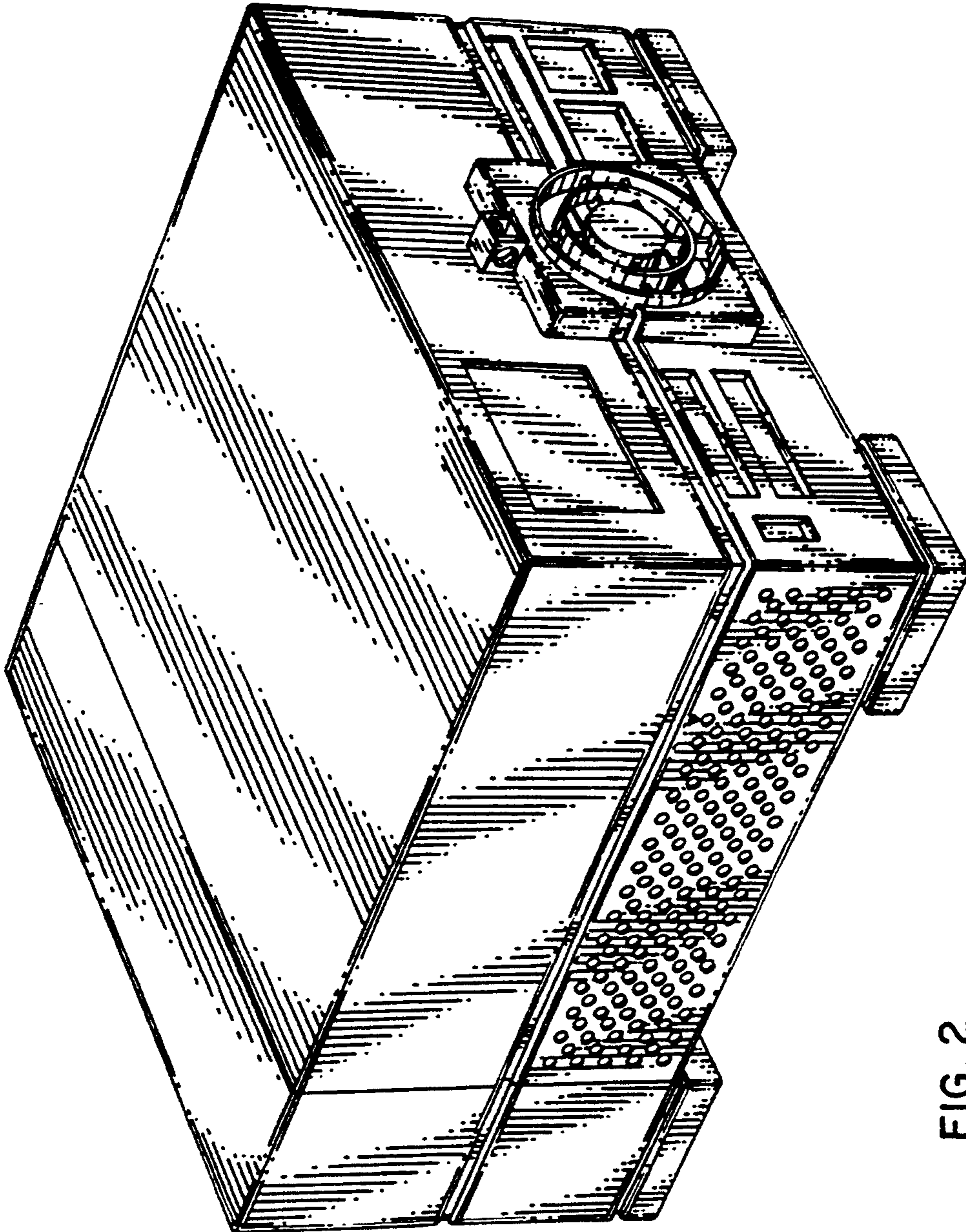


FIG. 2

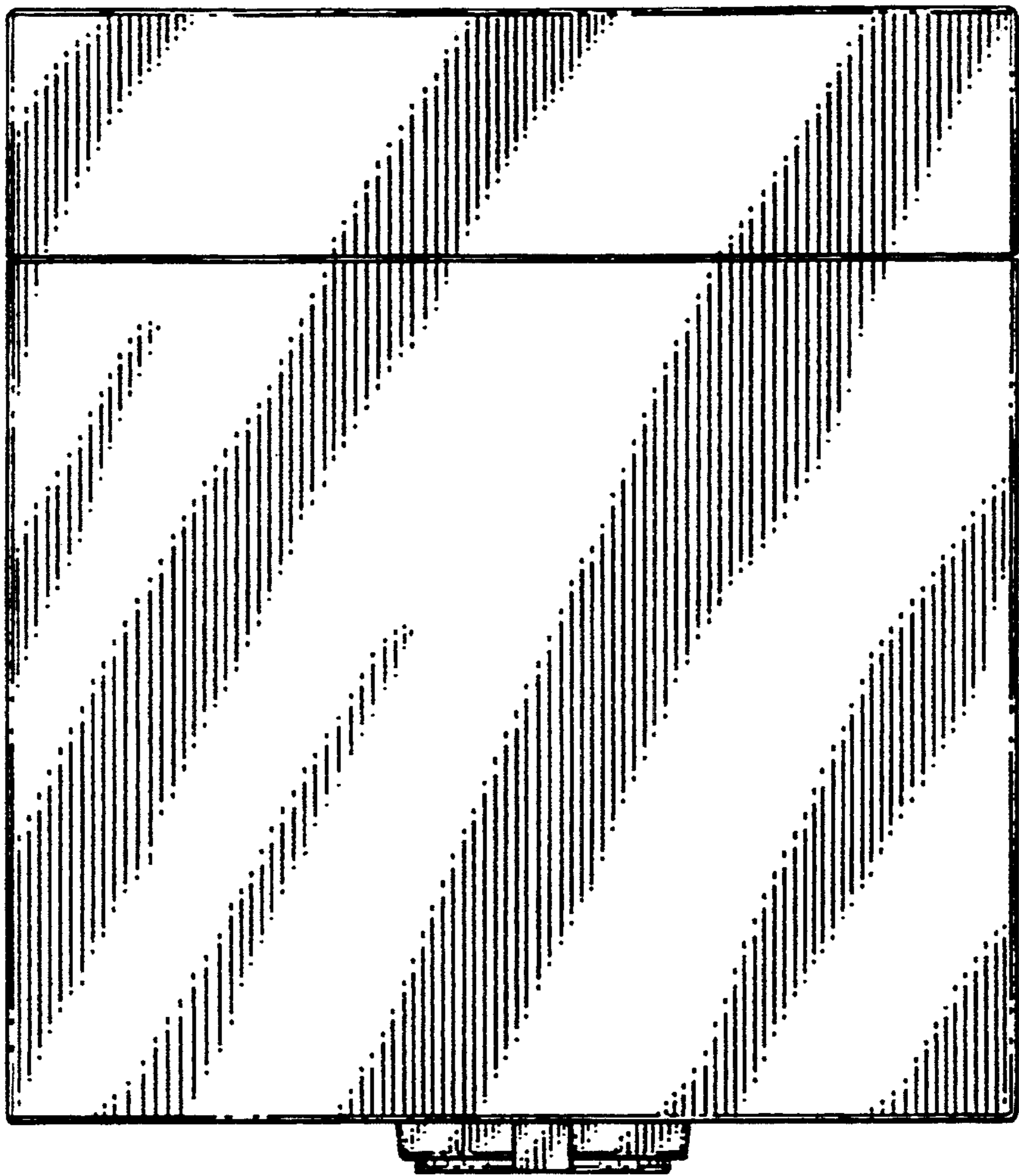


FIG. 3

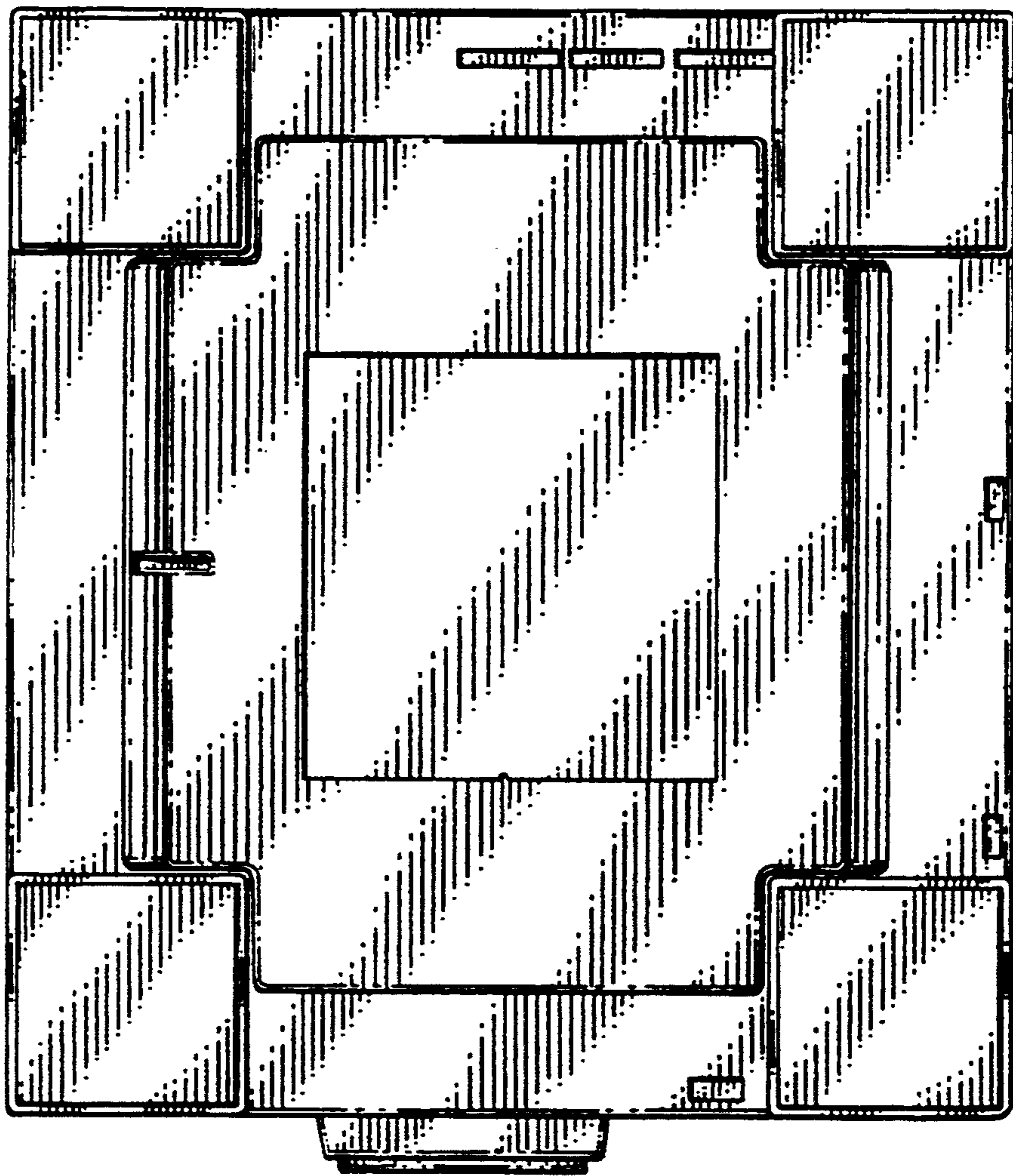


FIG. 4

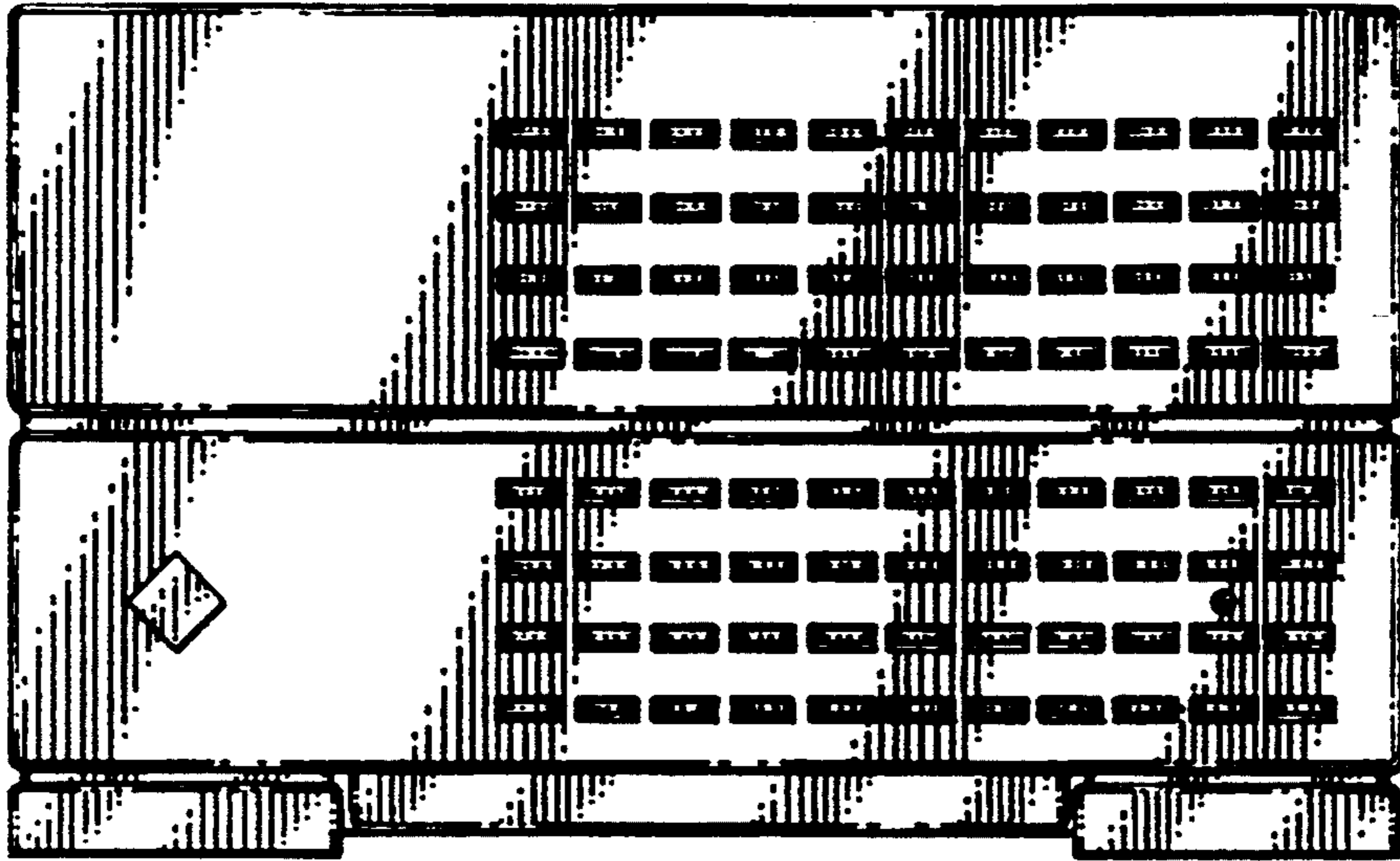


FIG. 5

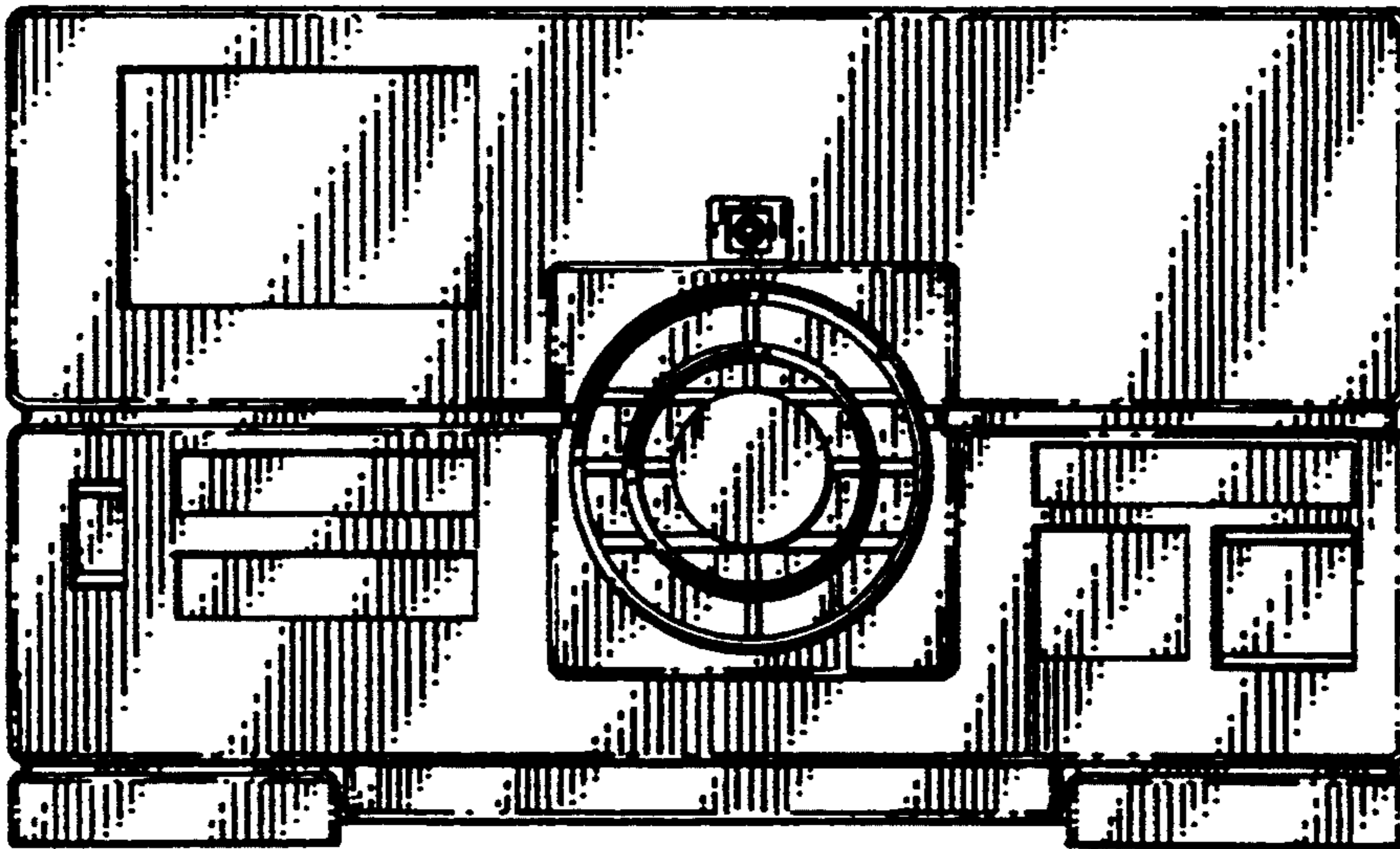


FIG. 6

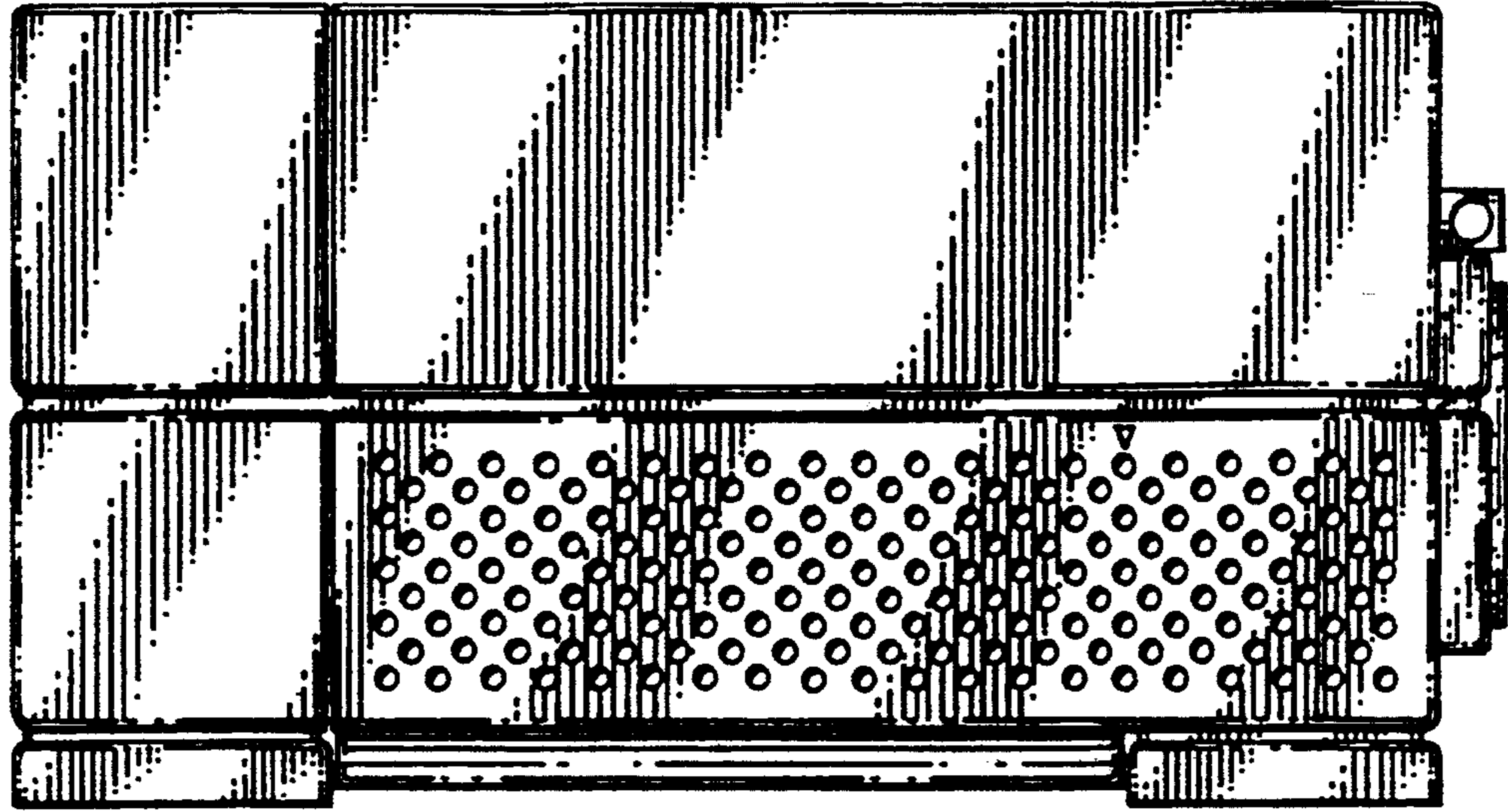


FIG. 7

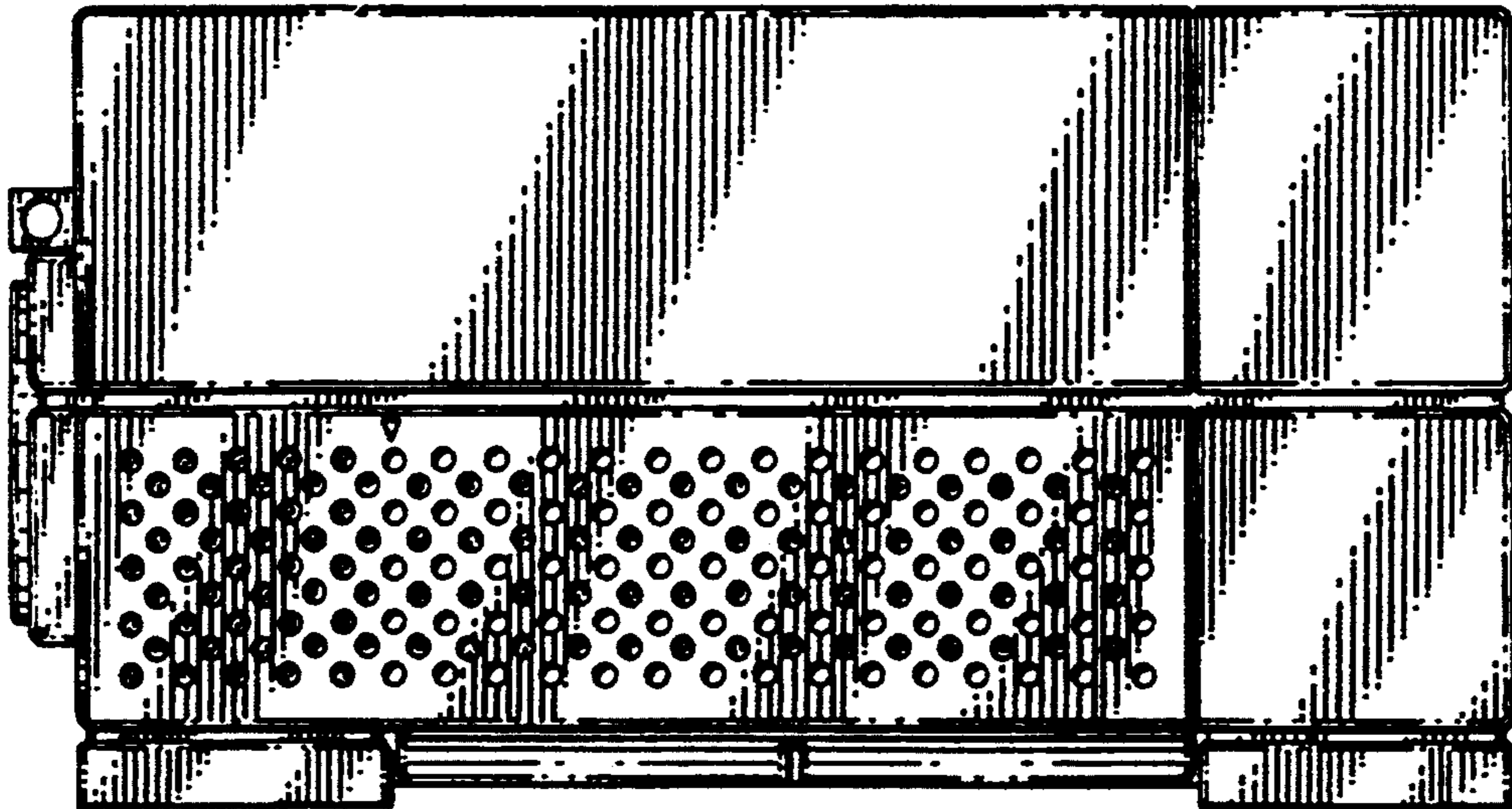


FIG. 8