



US00D356071S

United States Patent [19] Gotoh

[11] Patent Number: **Des. 356,071**

[45] Date of Patent: **** Mar. 7, 1995**

[54] **COMPUTER**

[75] Inventor: **Satoshi Gotoh, Gunma, Japan**

[73] Assignee: **Sanyo Electric Co., Ltd., Osaka, Japan**

[**] Term: **14 Years**

[21] Appl. No.: **11,997**

[22] Filed: **Aug. 19, 1993**

[30] **Foreign Application Priority Data**

Feb. 22, 1993 [JP] Japan 5-5048

[52] U.S. Cl. **D14/106**

[58] Field of Search D14/100, 101, 106, 113, D14/115, 124-127; D18/1, 7, 11, 12, 2; 235/145 A, 145 R; 341/22, 23; 345/104, 156, 168, 173, 901-905; 361/679-686; 364/708.1, 709.04, 709.12; 400/486, 489

[56] **References Cited**

U.S. PATENT DOCUMENTS

- D. 343,831 2/1994 Spoeth D14/106
- D. 344,720 3/1994 Inukai D14/106
- D. 345,347 3/1994 Yamazaki D14/106
- D. 349,278 8/1994 Wetrin D14/106

- 5,034,858 7/1991 Kawamoto et al. D14/106 X
- 5,103,376 4/1992 Blonder D14/106 X
- 5,231,380 7/1993 Logan D14/115 X

Primary Examiner—Freda S. Nunn
Attorney, Agent, or Firm—Spensley Horn Jubas & Lubitz

[57] **CLAIM**

The ornamental design for a computer, as shown and described.

DESCRIPTION

FIG. 1 is a front elevational view of the computer; FIG. 2 is a rear elevational view thereof; FIG. 3 is a left side view thereof; FIG. 4 is a right side view thereof; FIG. 5 is a top plan view thereof; FIG. 6 is a bottom plan view thereof; FIG. 7 is a top front and right side perspective view thereof; FIG. 8 is a top front and right side perspective view thereof with the display lid in the closed position; FIG. 9 is a top front and right side perspective view thereof with the display lid turned inside out to enable the use of an inputting pen; and, FIG. 10 is a top front and right side perspective view thereof with a track ball shown pulled out for use.

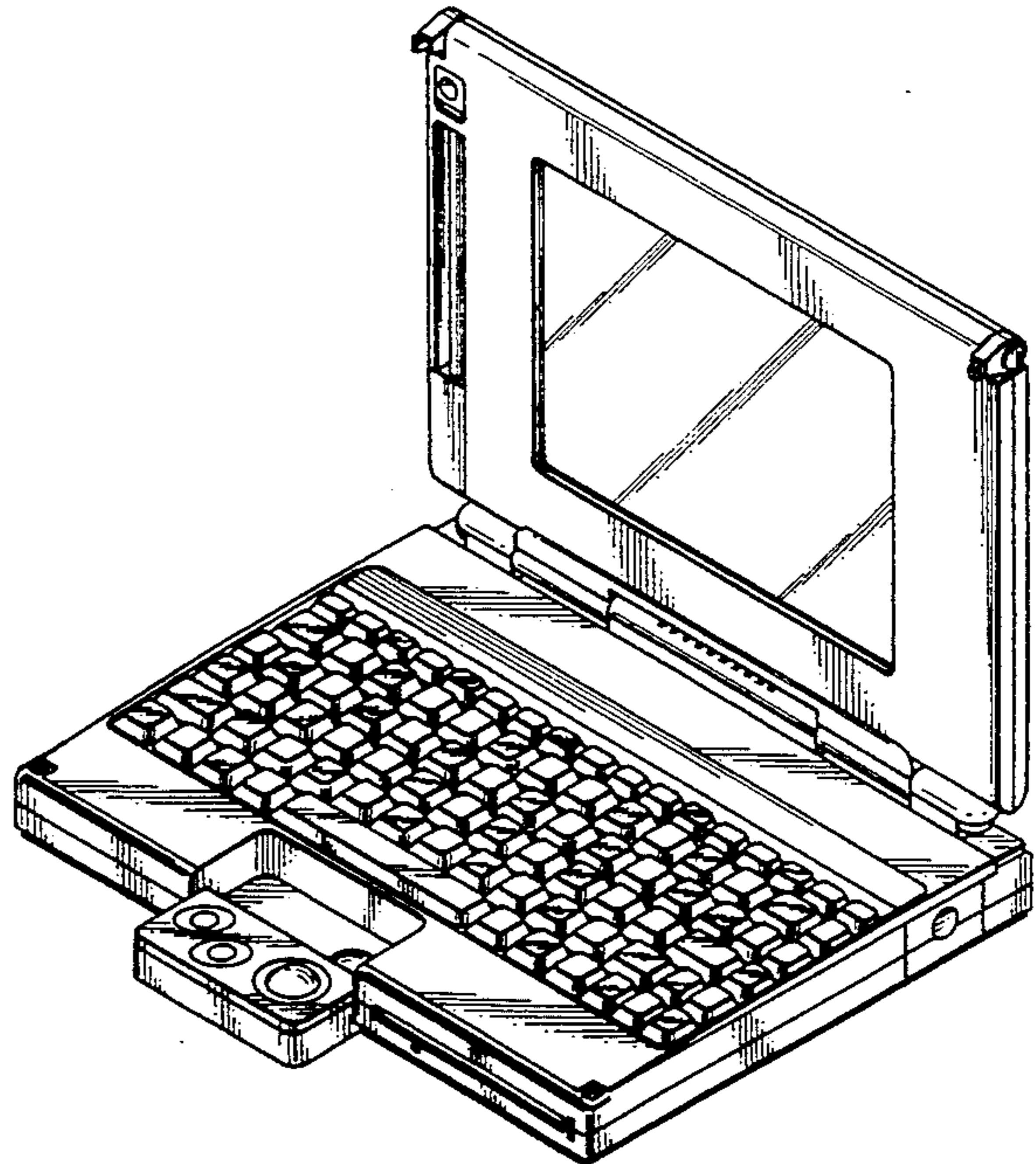
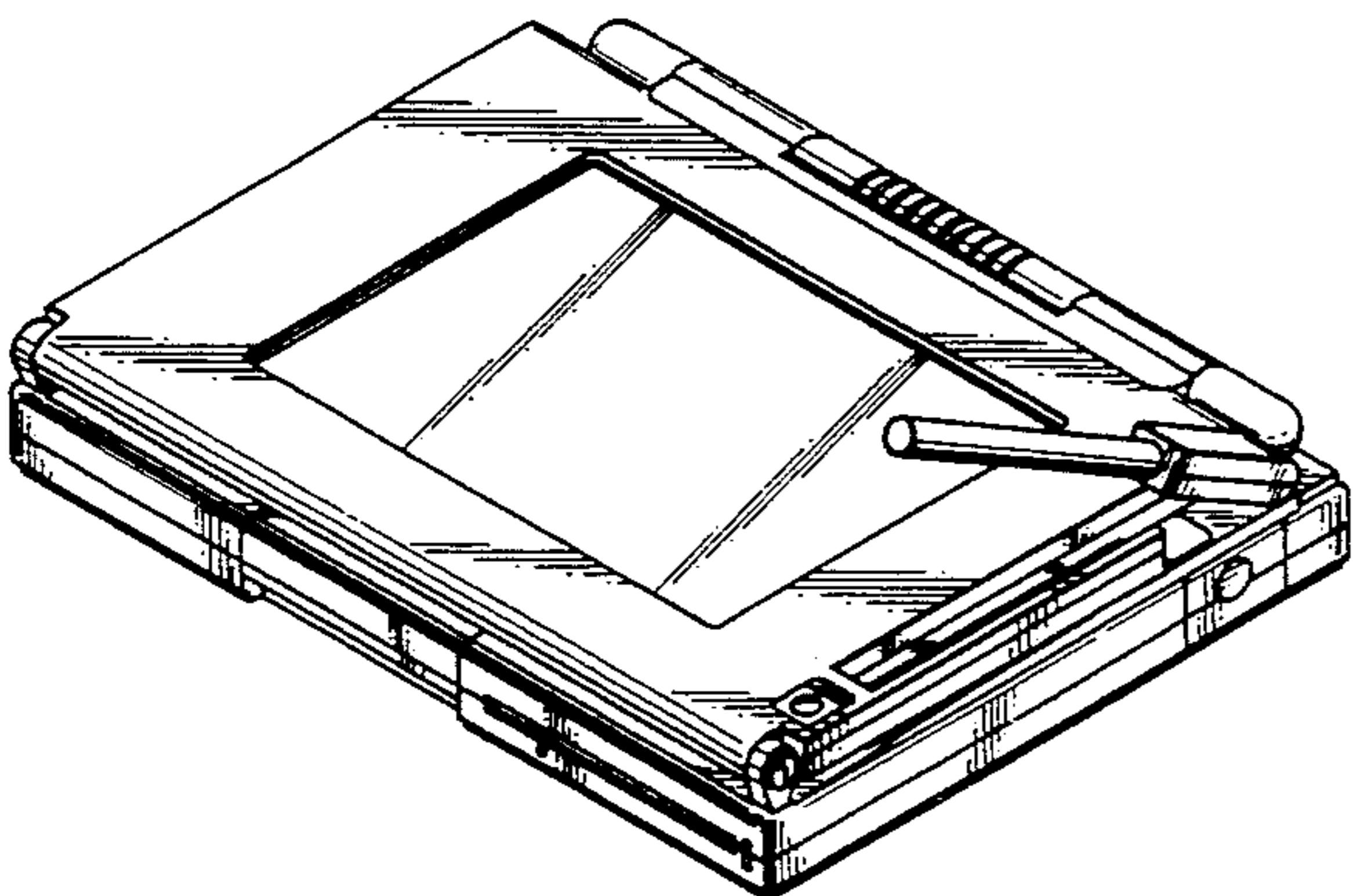
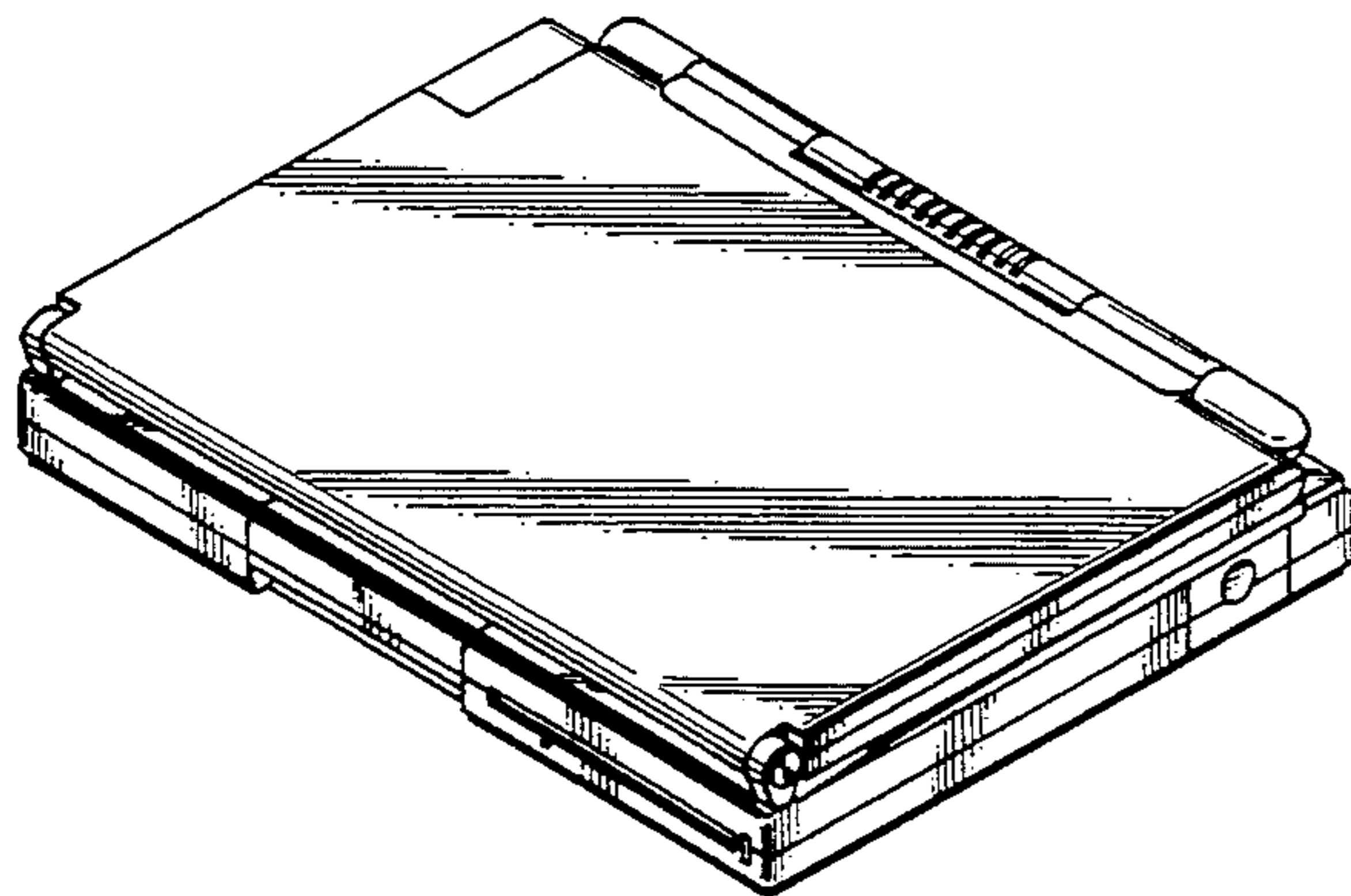


FIG. 1

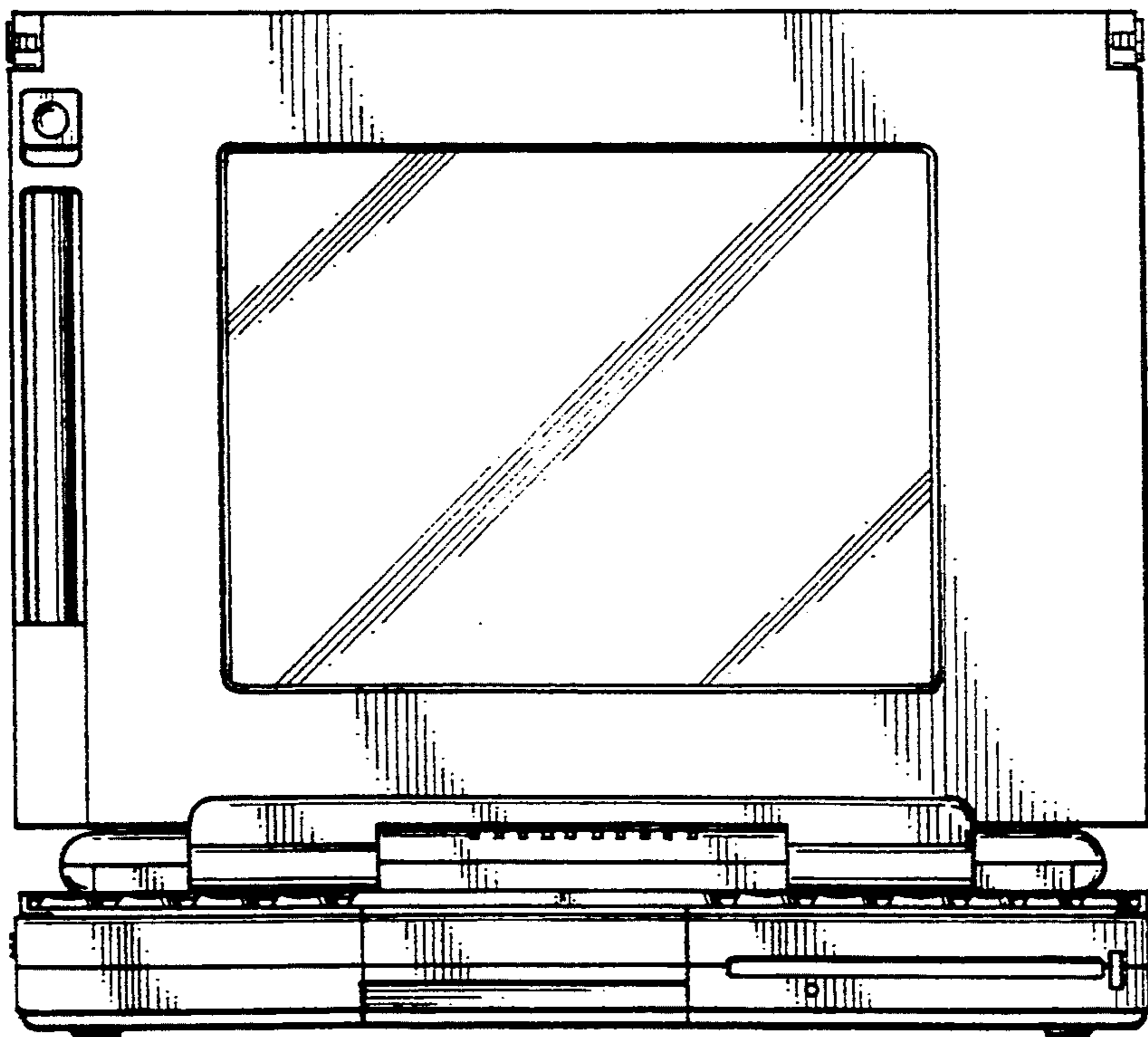


FIG. 2

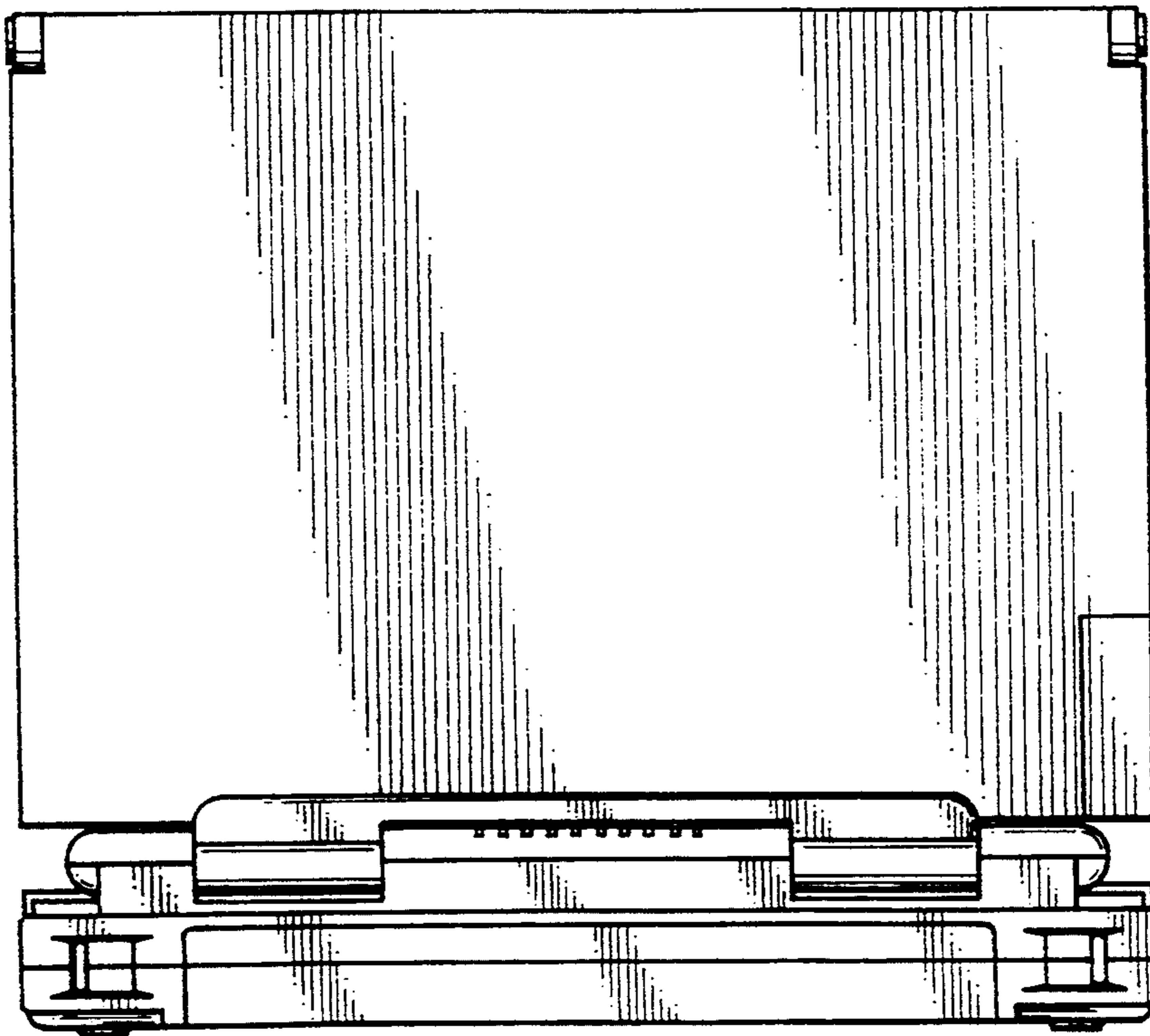


FIG. 3

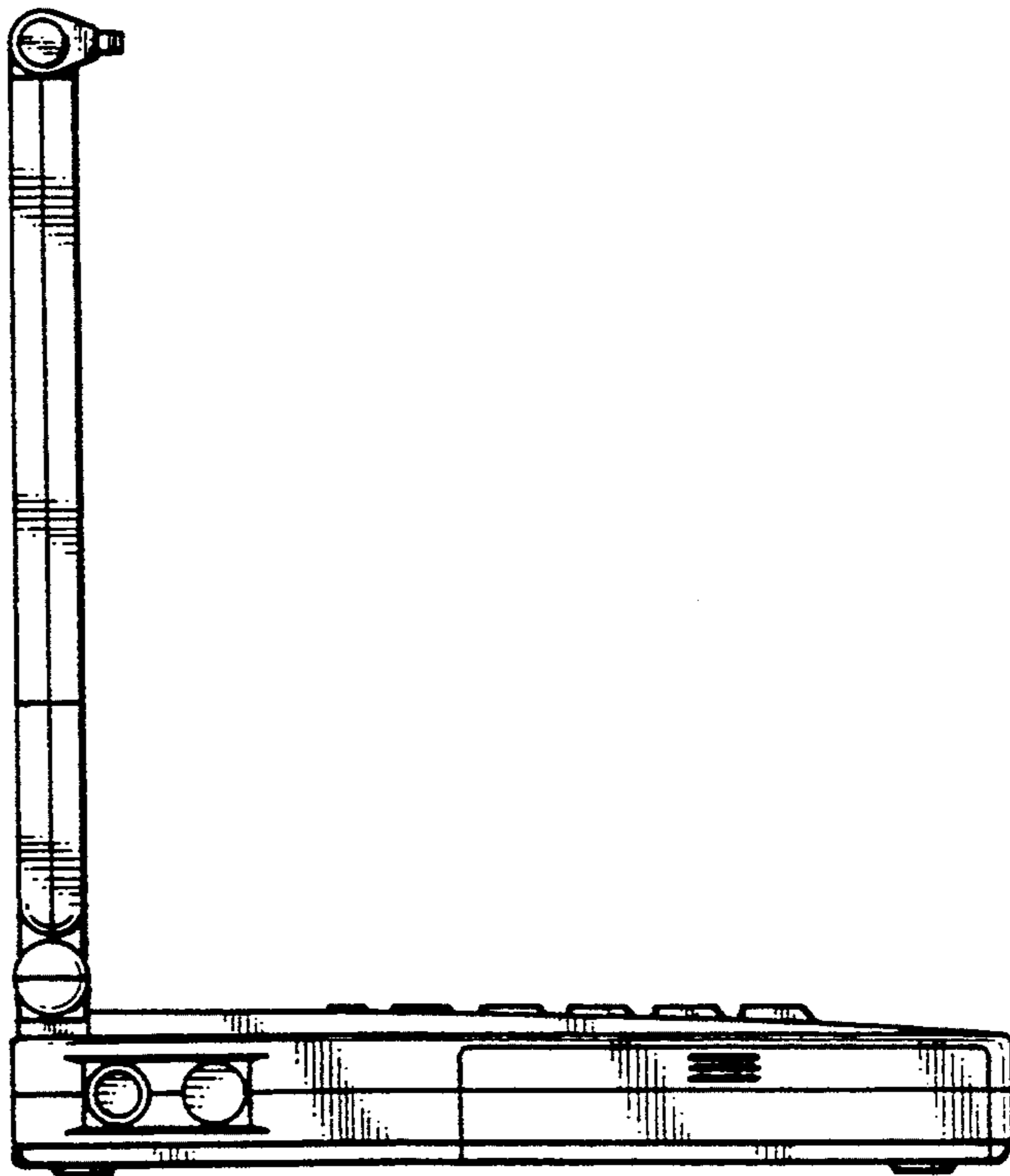


FIG. 4

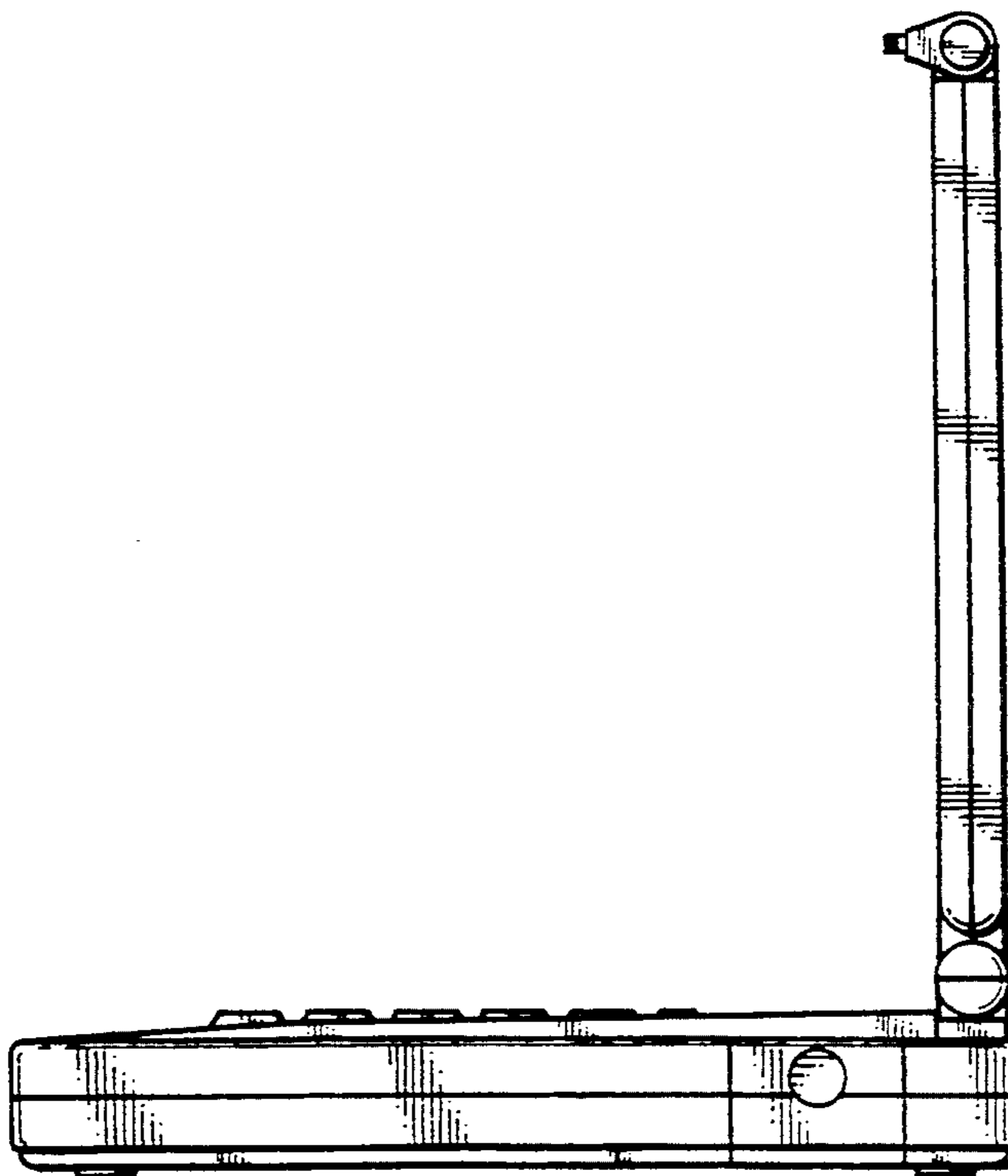


FIG. 5

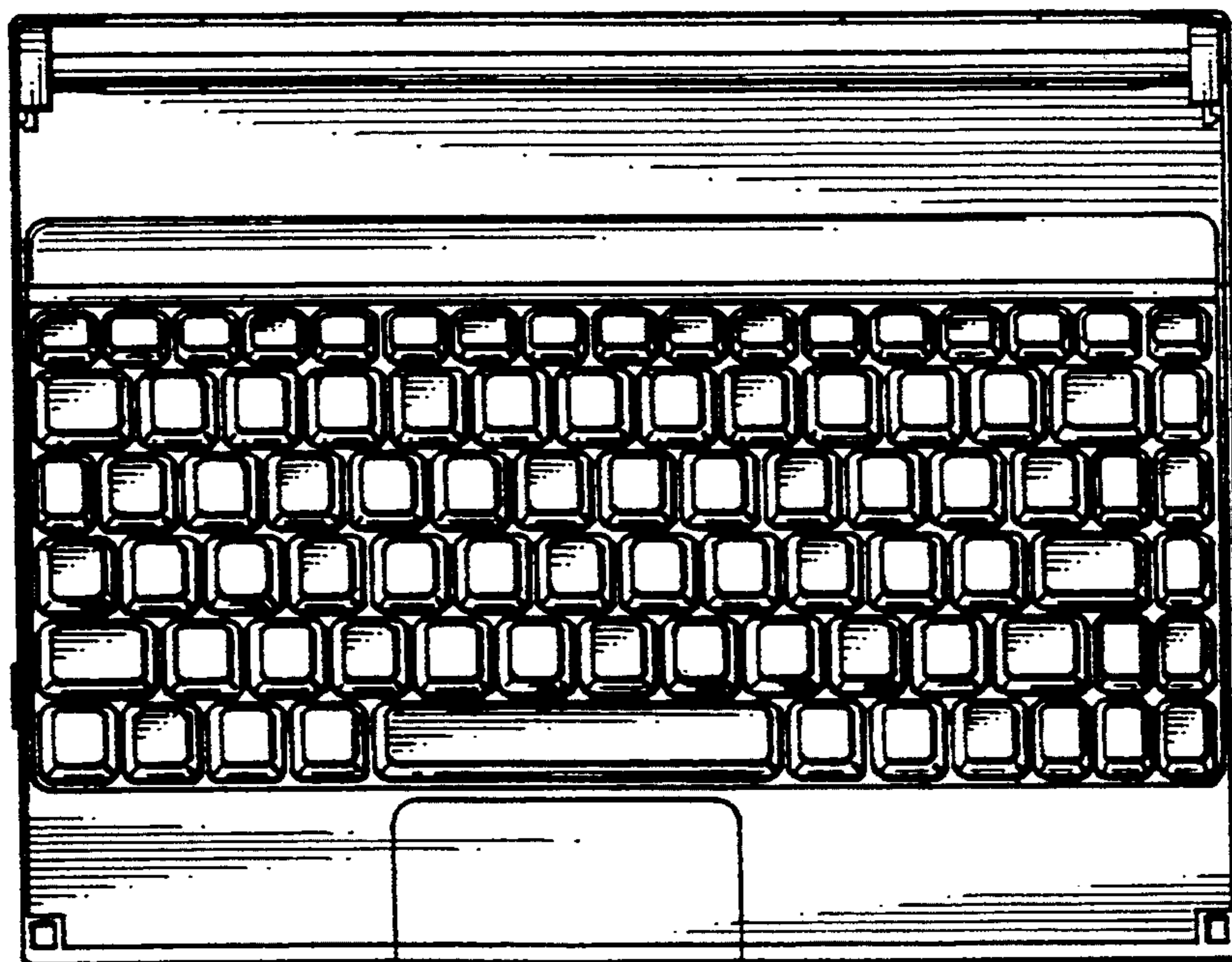


FIG. 6

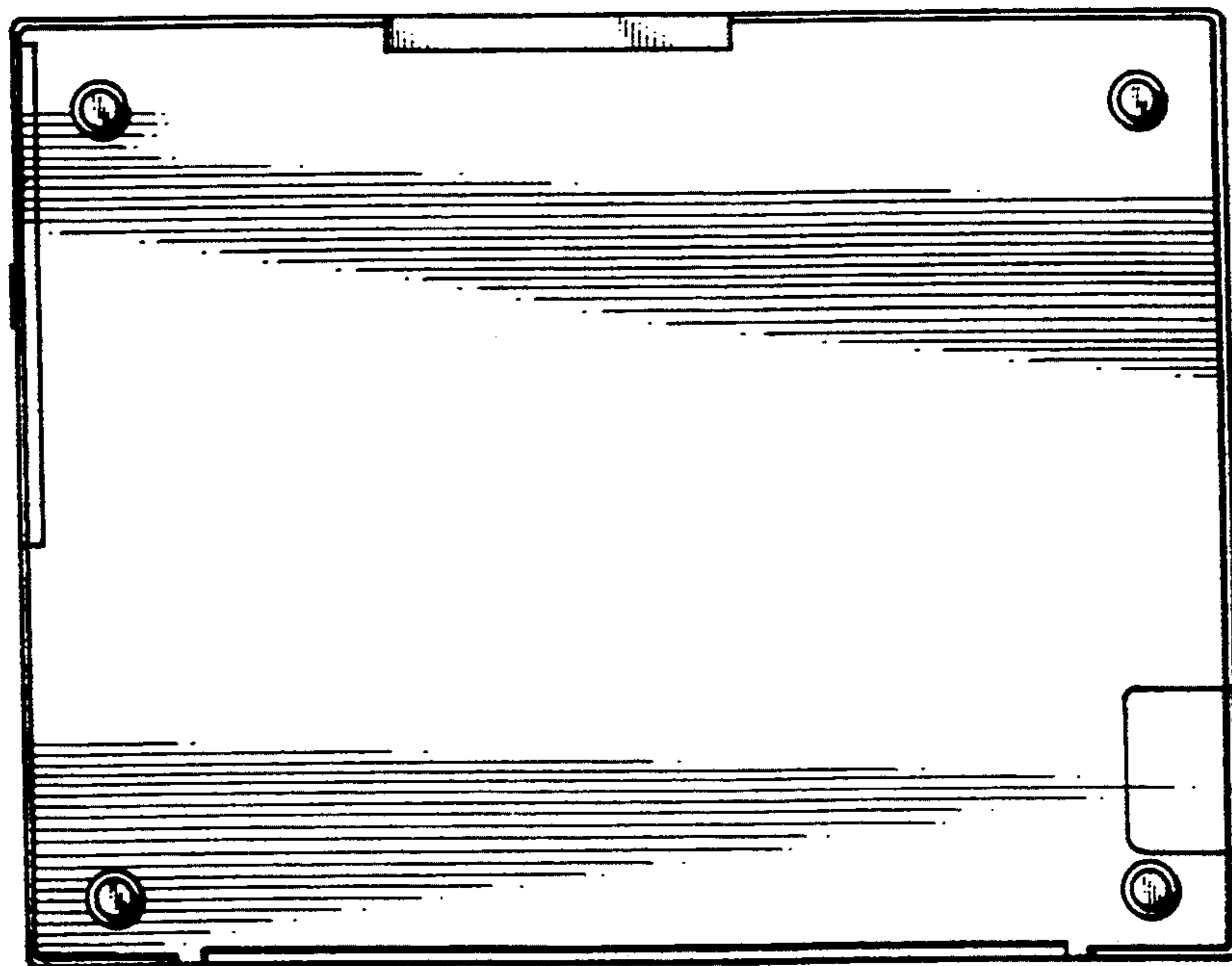


FIG. 7

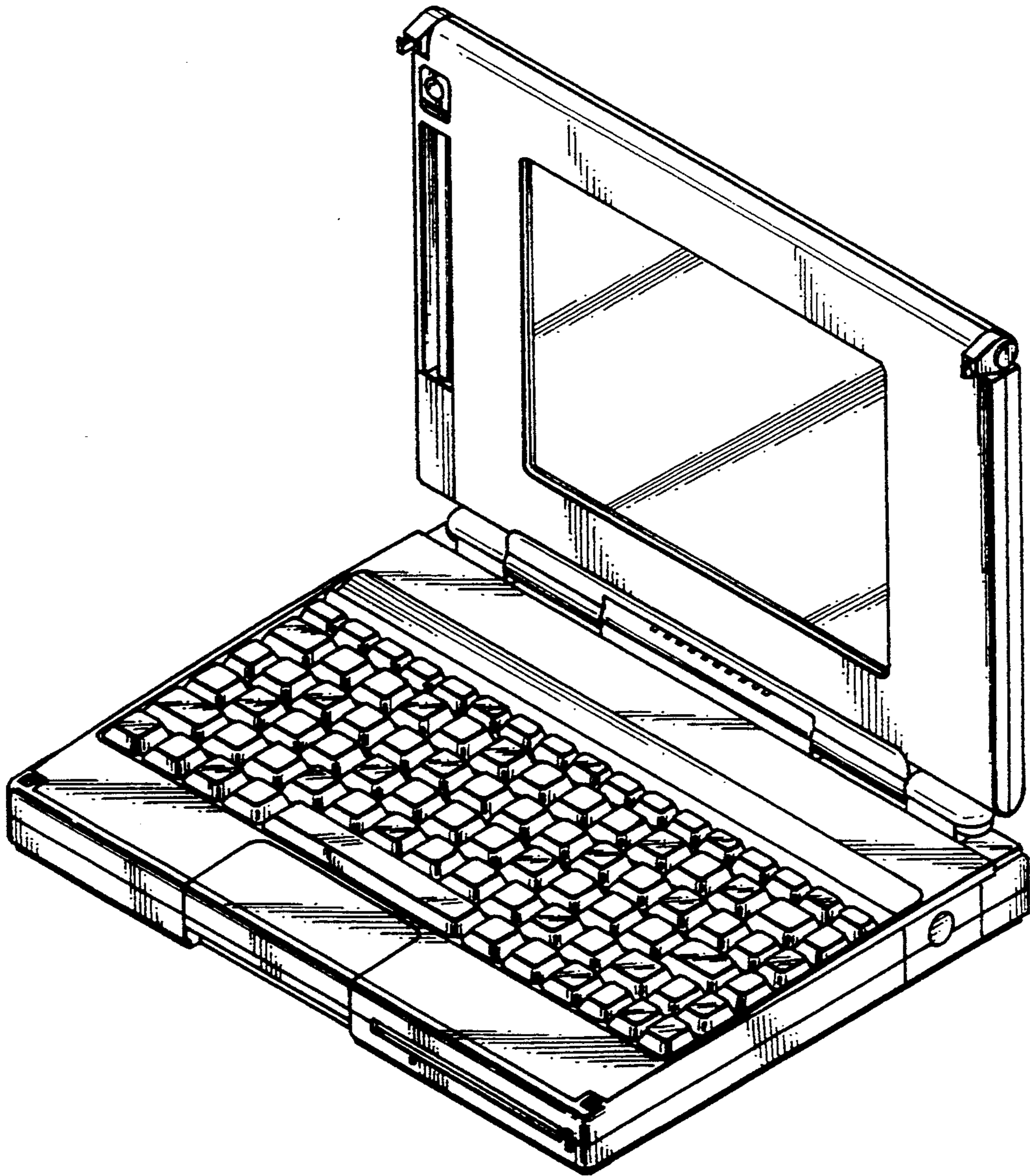


FIG. 8

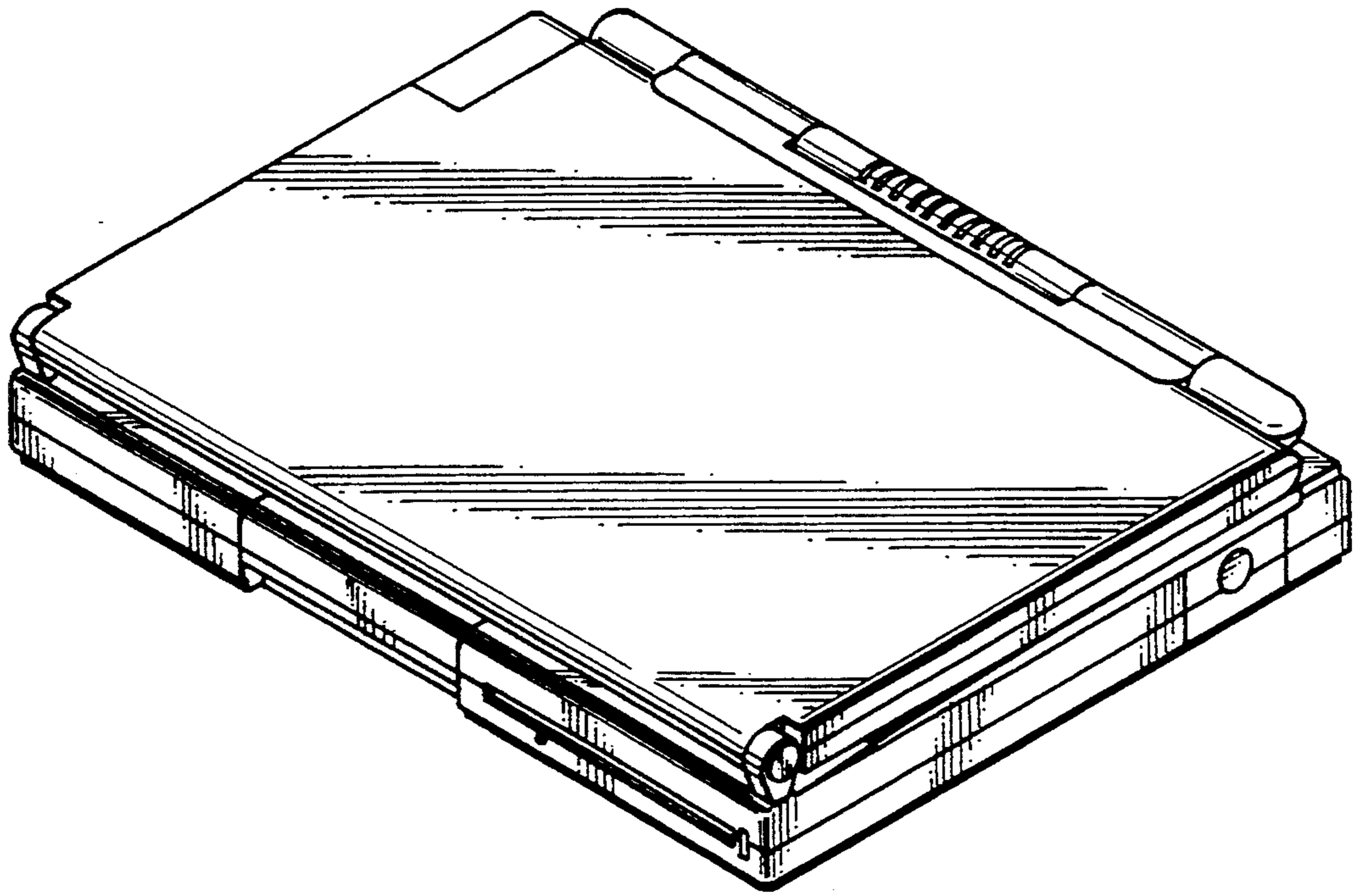


FIG. 9

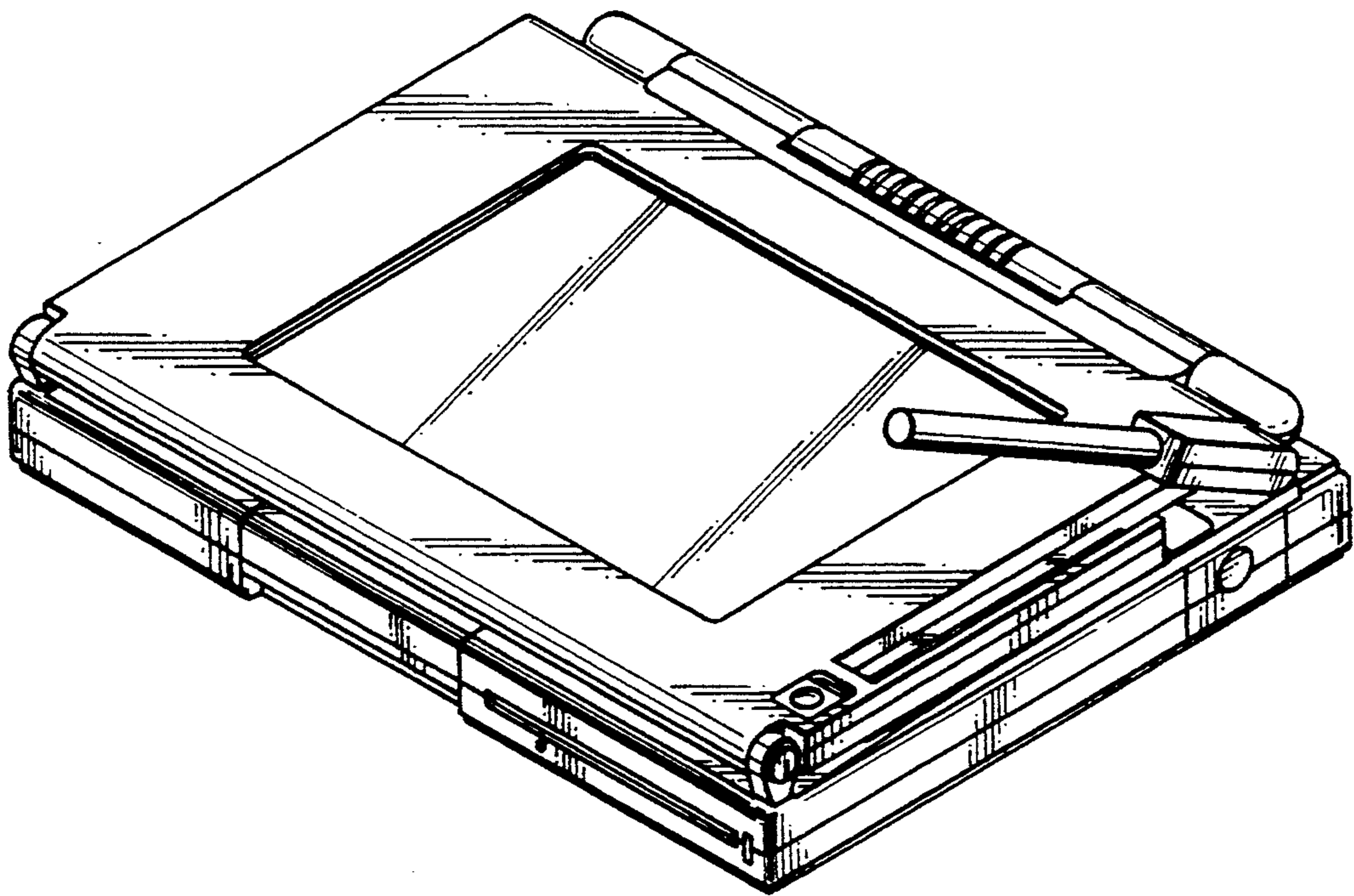


FIG. 10

