



US00D356066S

United States Patent [19]

[11] Patent Number: **Des. 356,066**

Rao et al.

[45] Date of Patent: **** Mar. 7, 1995**

[54] **APPLIANCE LEAKAGE CURRENT INTERRUPTER**

4,860,147 8/1989 Fai 361/115 X
5,305,173 4/1994 Kakuta et al. 361/45

[75] Inventors: **Chepur P. Rao**, North Kingstown;
Juan J. Barrena, Providence; **Victor V. Aromin**, West Warwick, all of R.I.

OTHER PUBLICATIONS

GFCIs on p. 114 of *Electrical Construction and Maintenance*, Nov. 1993.

[73] Assignee: **Tower Manufacturing Corporation**, Providence, R.I.

Primary Examiner—Joel Sincavage
Attorney, Agent, or Firm—Salter & Michaelson

[**] Term: **14 Years**

[57] CLAIM

[21] Appl. No.: **11,066**

The ornamental design for an appliance leakage current interrupter, as shown.

[22] Filed: **Jul. 26, 1993**

DESCRIPTION

[52] U.S. Cl. **D13/160; D13/142**

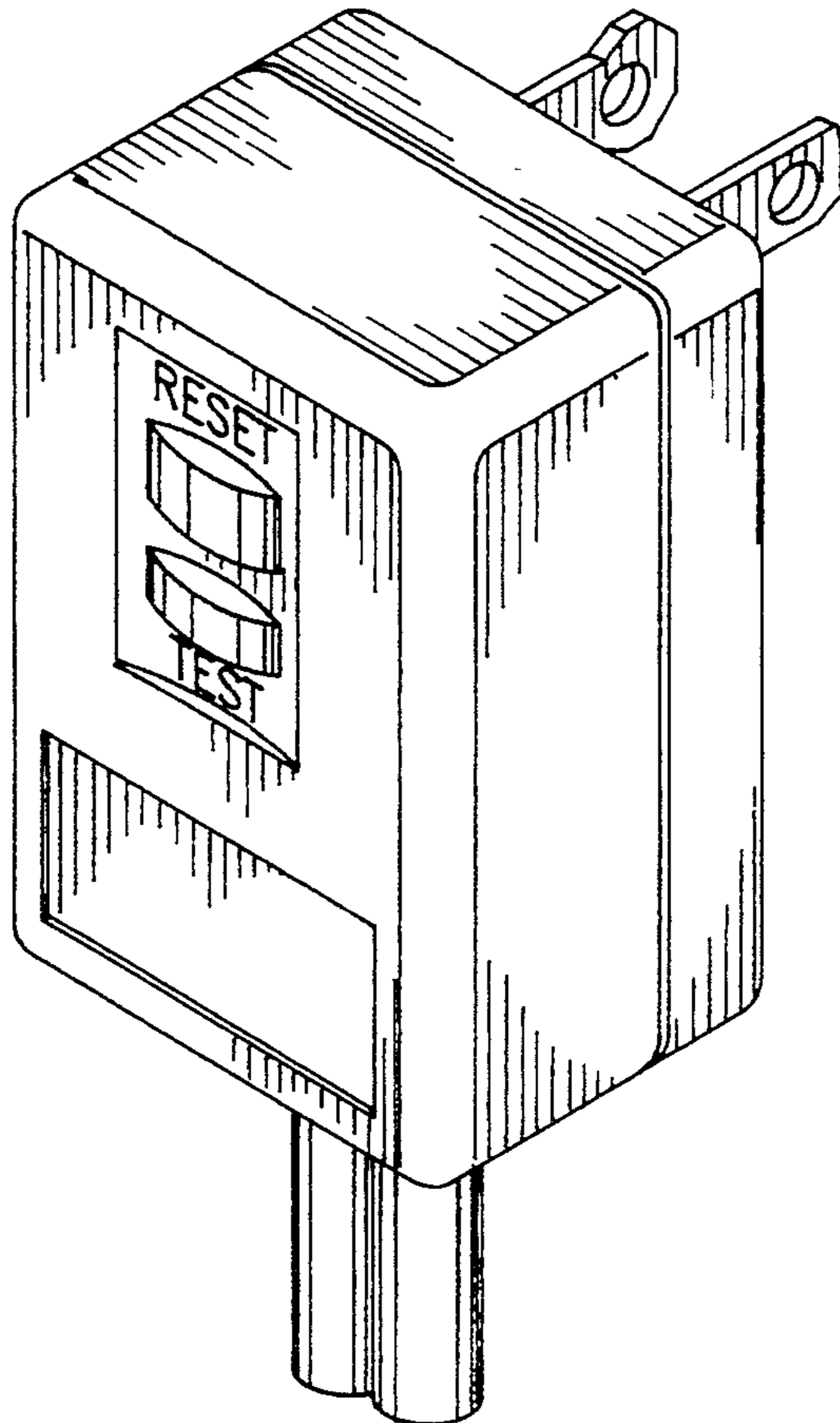
[58] Field of Search **D13/142, 143, 162, 178; 335/18; 361/45, 115; 324/508**

FIG. 1 is a perspective view of an appliance leakage current interrupter showing our new design; FIG. 2 is a top plan view thereof; FIG. 3 is a bottom plan view thereof; FIG. 4 is a rear elevational view thereof; FIG. 5 is a front elevational view thereof; FIG. 6 is a right side elevational view thereof; and, FIG. 7 is a left side elevational view thereof.

[56] References Cited

U.S. PATENT DOCUMENTS

D. 325,180 4/1992 Rao et al. D13/160
D. 341,816 11/1993 Nagano D13/160 X
3,931,601 1/1976 Anderson 335/18



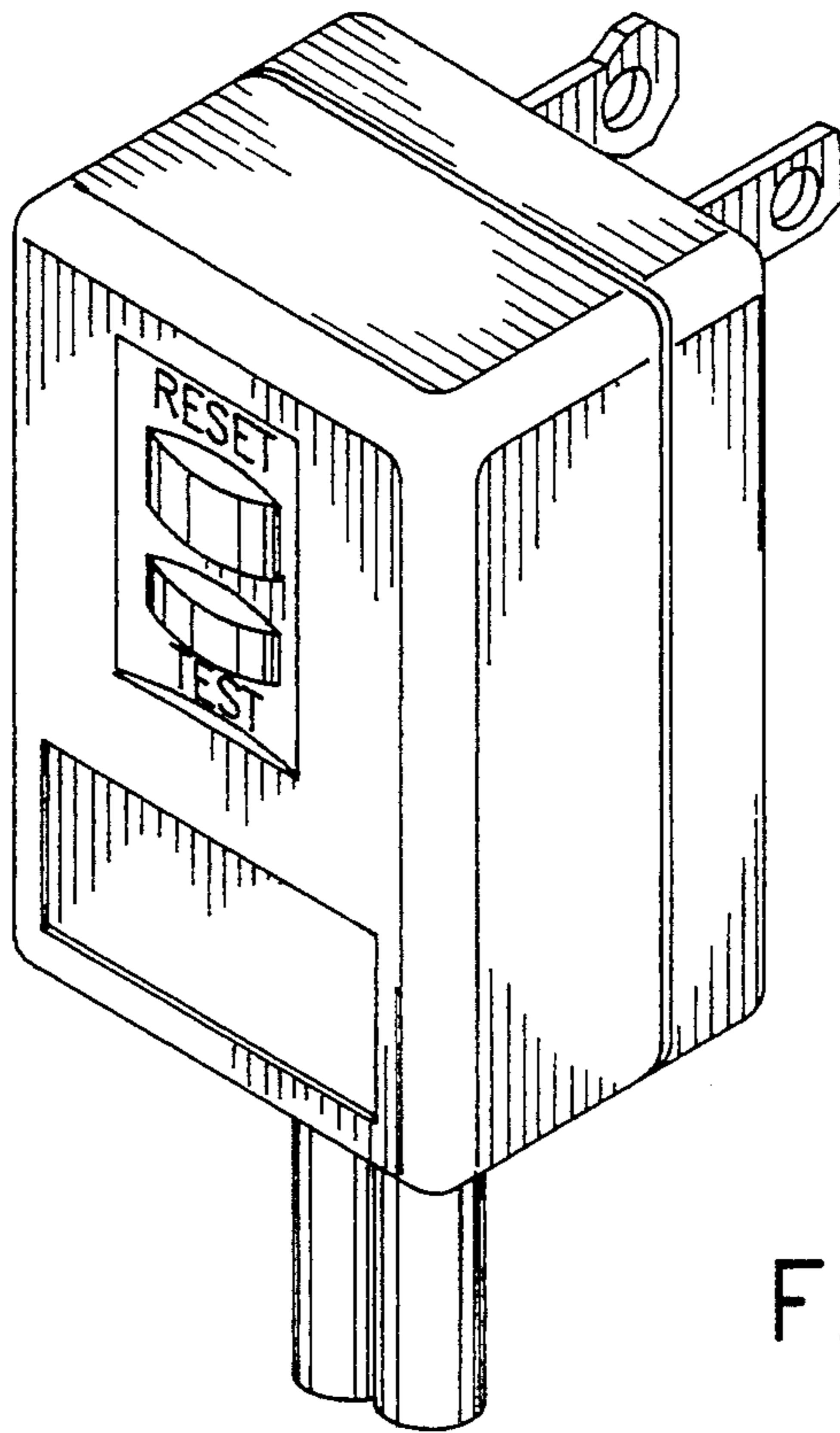


FIG. 1

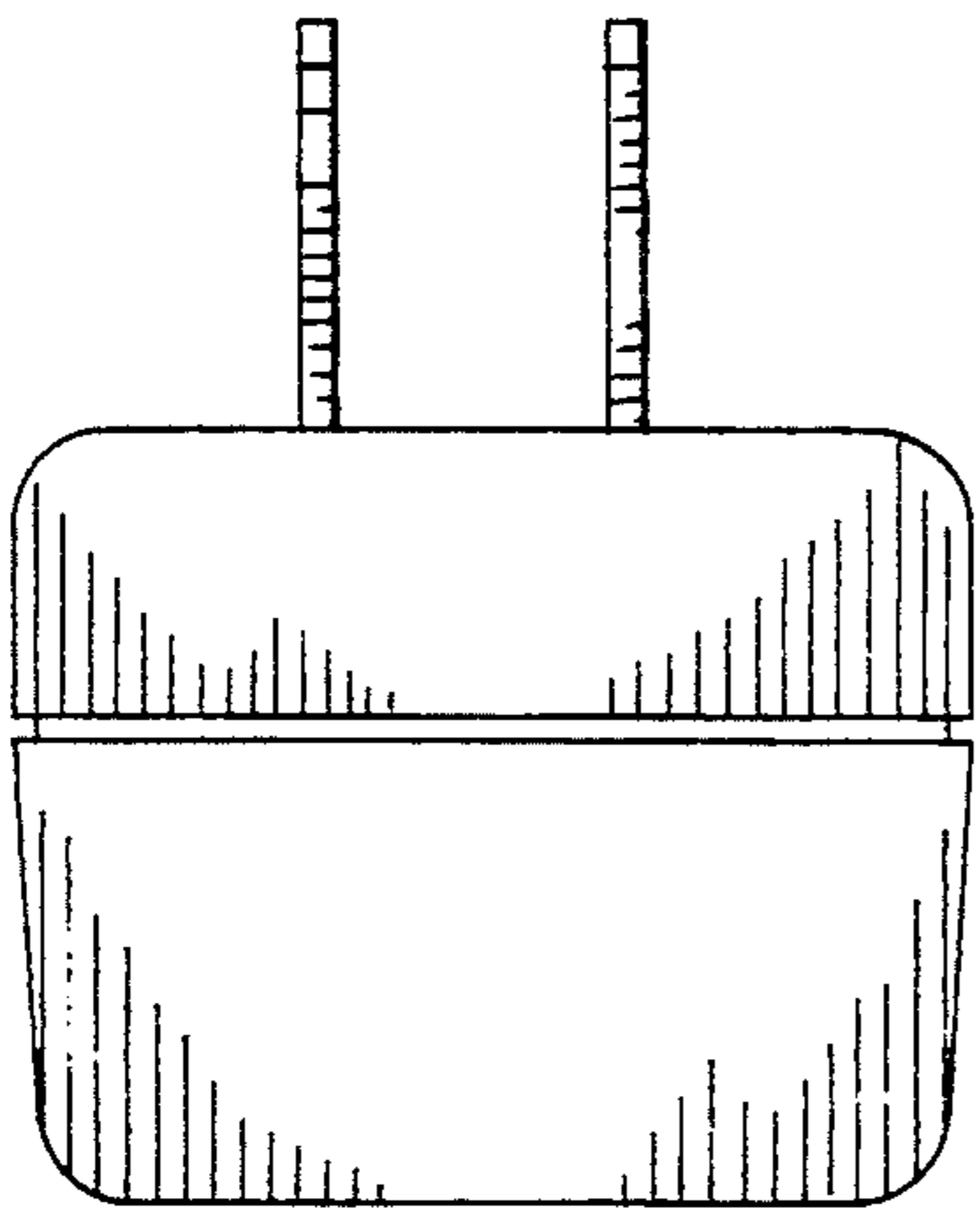


FIG. 2

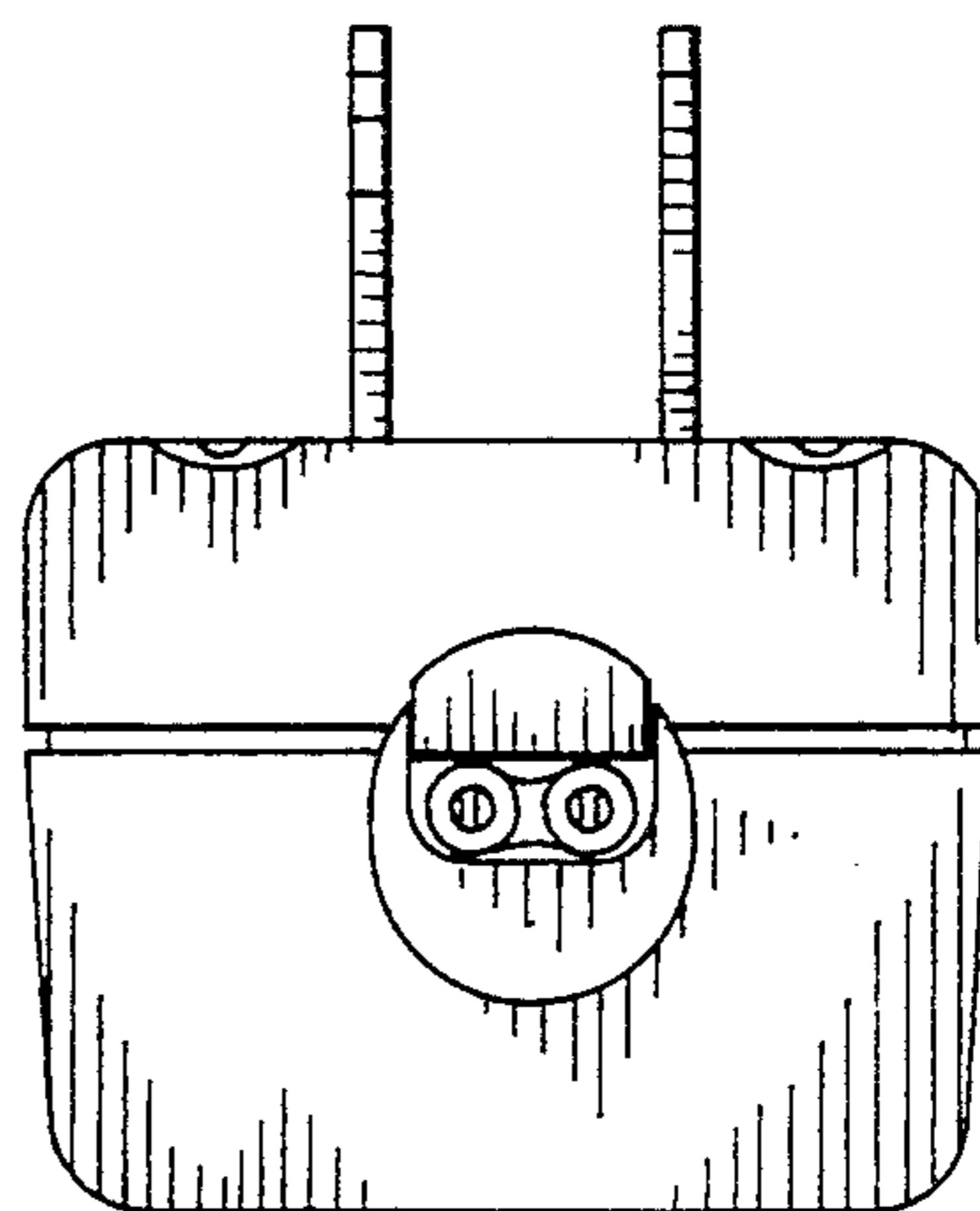


FIG. 3

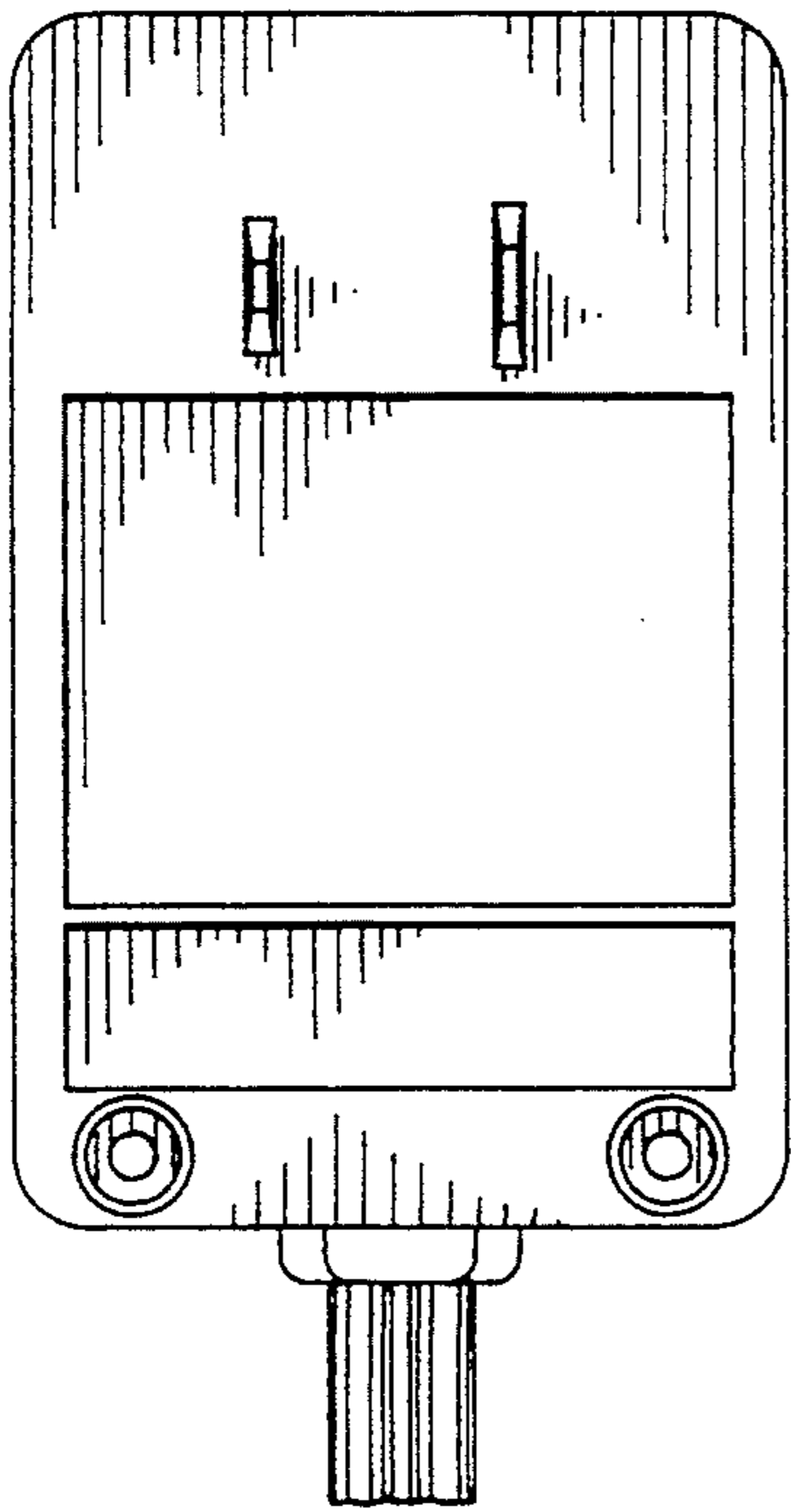


FIG. 4

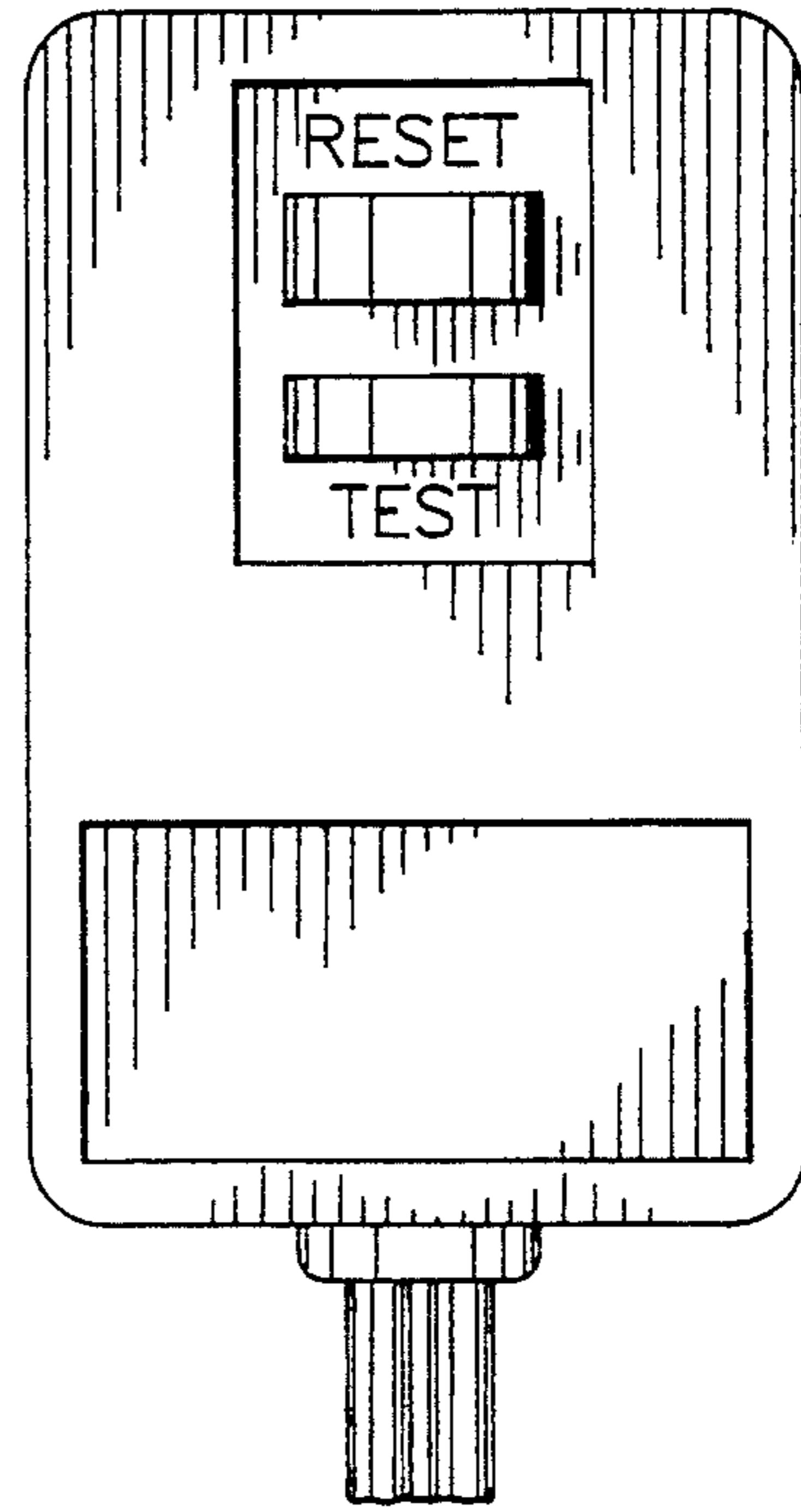


FIG. 5

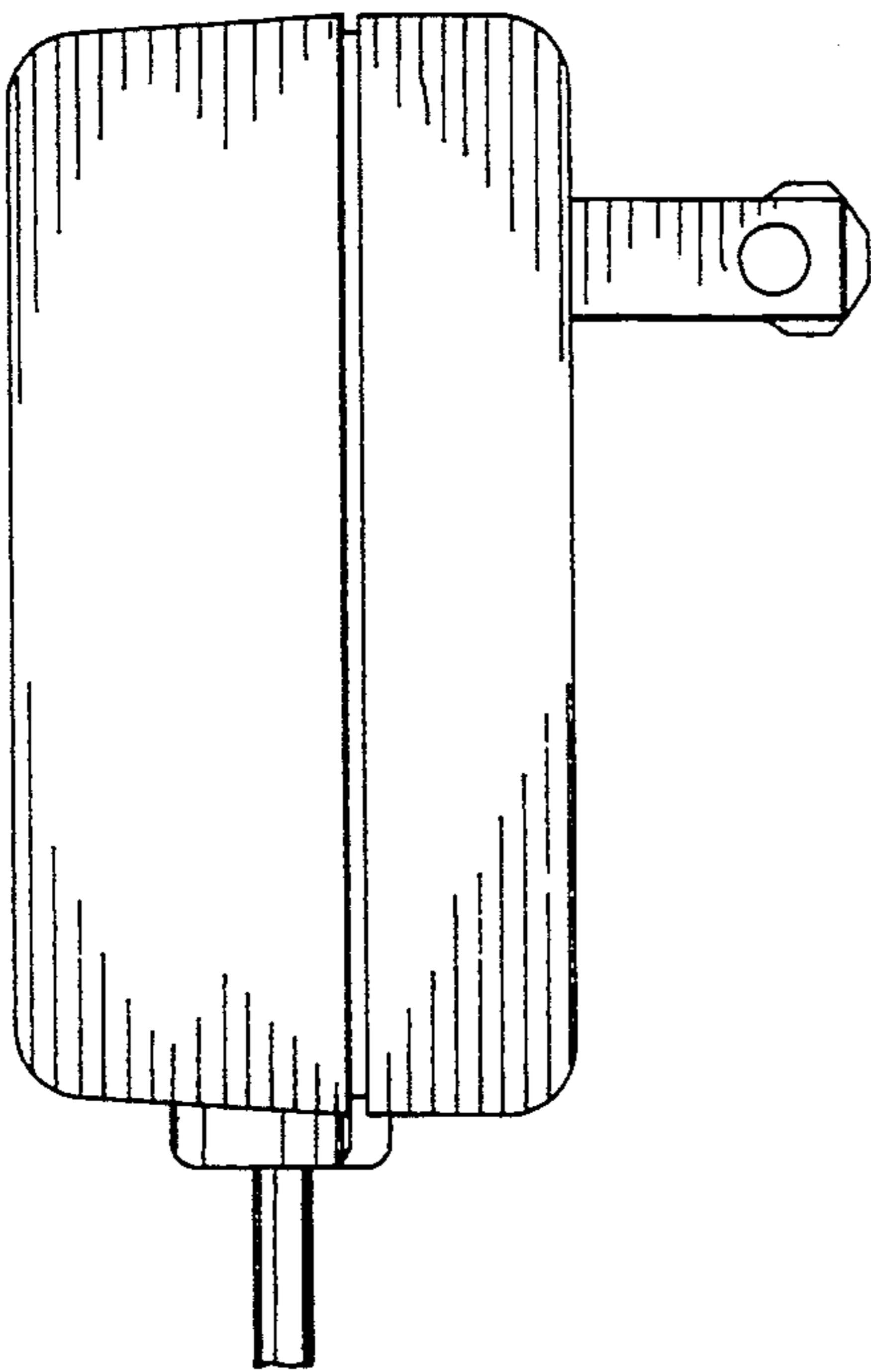


FIG. 6

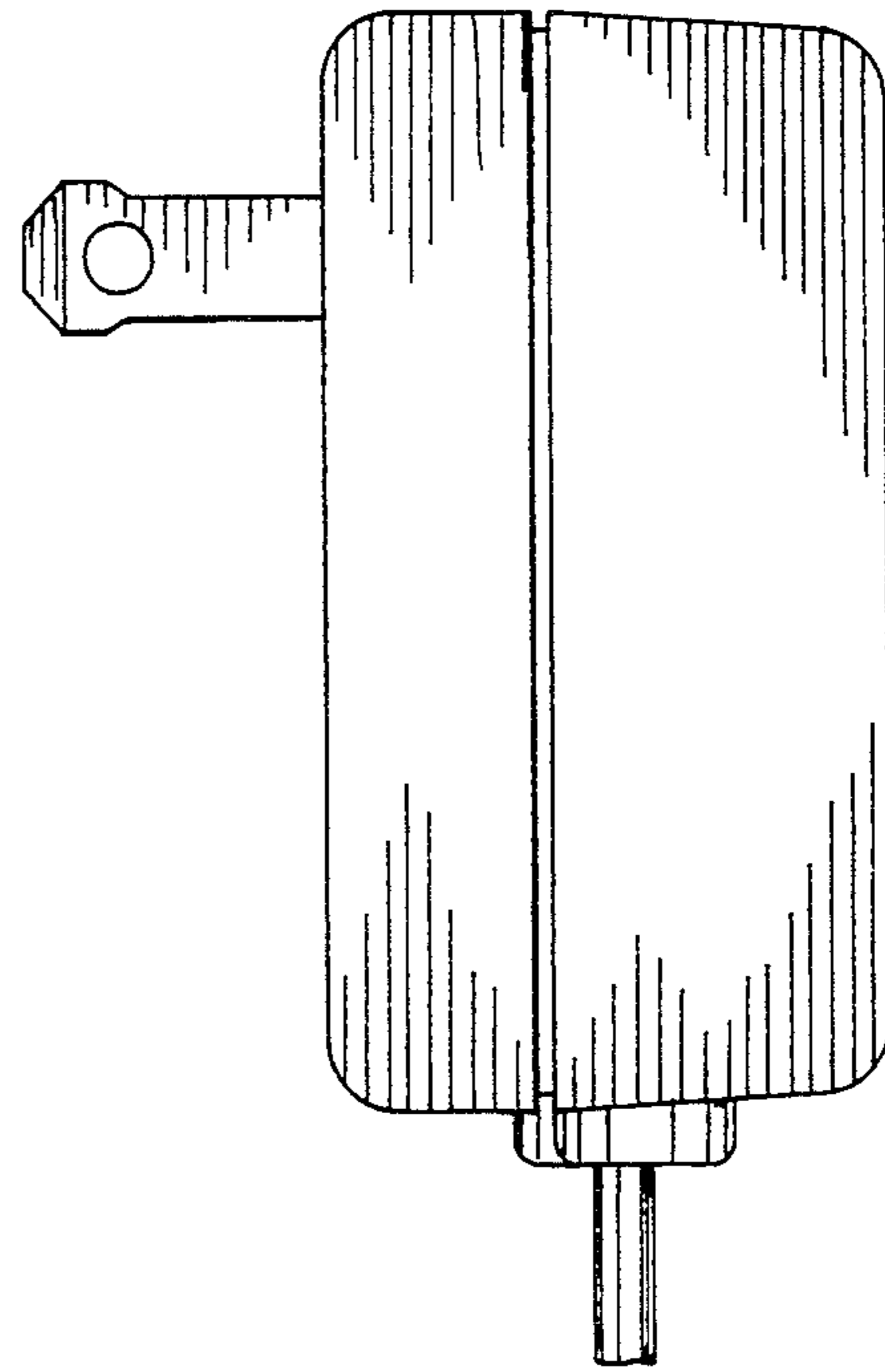


FIG. 7