



US00D356062S

**United States Patent** [19]  
**Mele**

[11] **Patent Number: Des. 356,062**

[45] **Date of Patent: \*\* Mar. 7, 1995**

[54] **FORWARD ROWING DEVICE**

[76] **Inventor: Peter C. Mele, P.O. Box 533, Crown Point, N.Y. 12928**

[\*\*] **Term: 14 Years**

[21] **Appl. No.: 6,984**

[22] **Filed: Apr. 12, 1993**

[52] **U.S. Cl. .... D12/317; D12/215**

[58] **Field of Search ..... D12/317, 215; 440/105, 440/104, 102**

[56] **References Cited**

**U.S. PATENT DOCUMENTS**

4,052,951	10/1977	Farr	440/105
4,411,214	10/1983	Horiuchi	440/105
5,248,272	9/1993	duPont	440/105

**FOREIGN PATENT DOCUMENTS**

954331 9/1982 U.S.S.R. .... 440/105

*Primary Examiner*—Kay H. Chin

*Attorney, Agent, or Firm*—Thomas N. Neiman

[57] **CLAIM**

The ornamental design for a forward rowing mechanism, as shown and described.

**DESCRIPTION**

FIG. 1 is a top plan view of the novel forward rowing device;

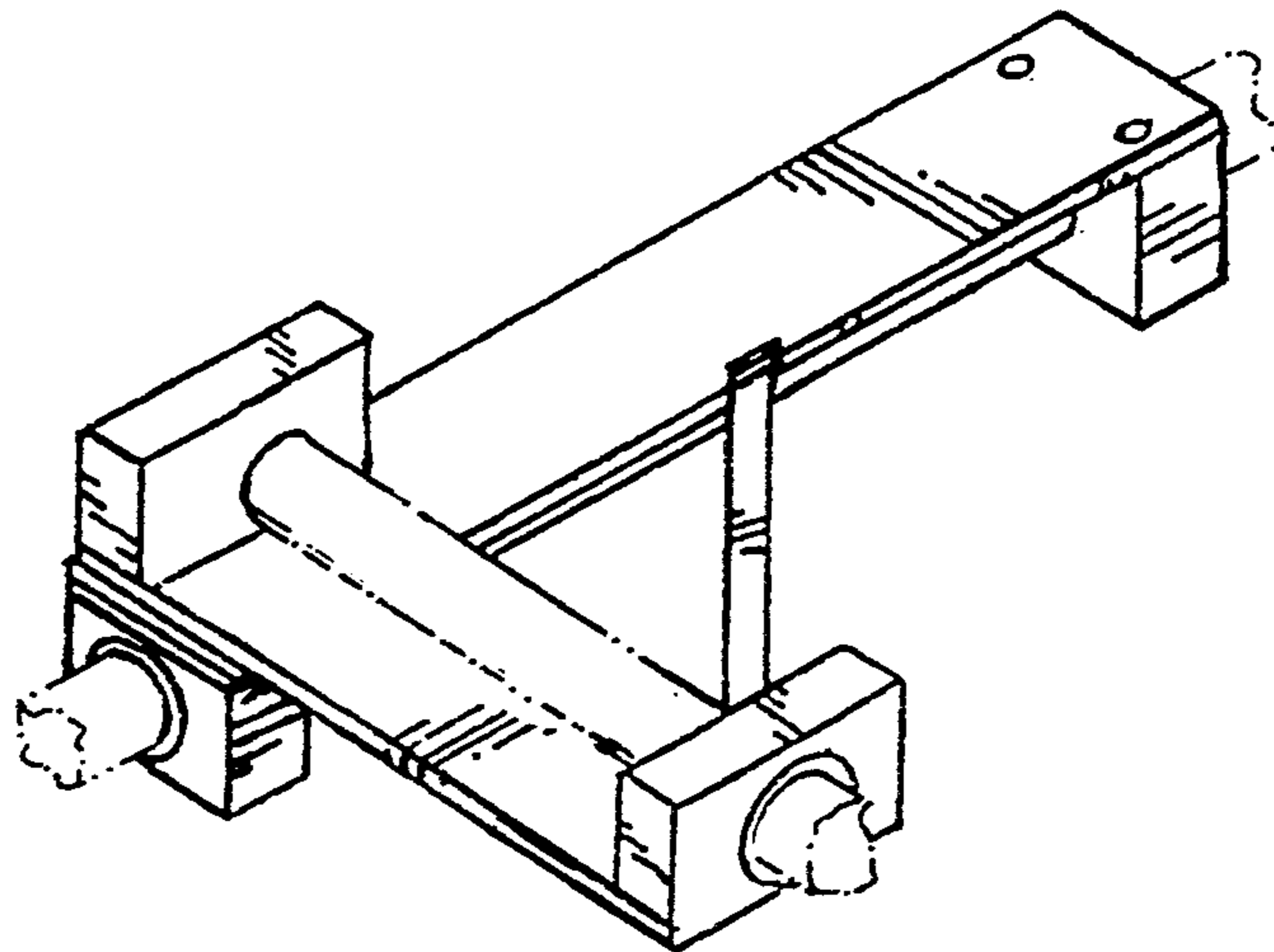
FIG. 2 is a side elevational view thereof;

FIG. 3 is a bottom plan view thereof;

FIG. 4 is a front elevational view thereof;

FIG. 5 is a rear elevational view thereof; and,

FIG. 6 is a top perspective view thereof.



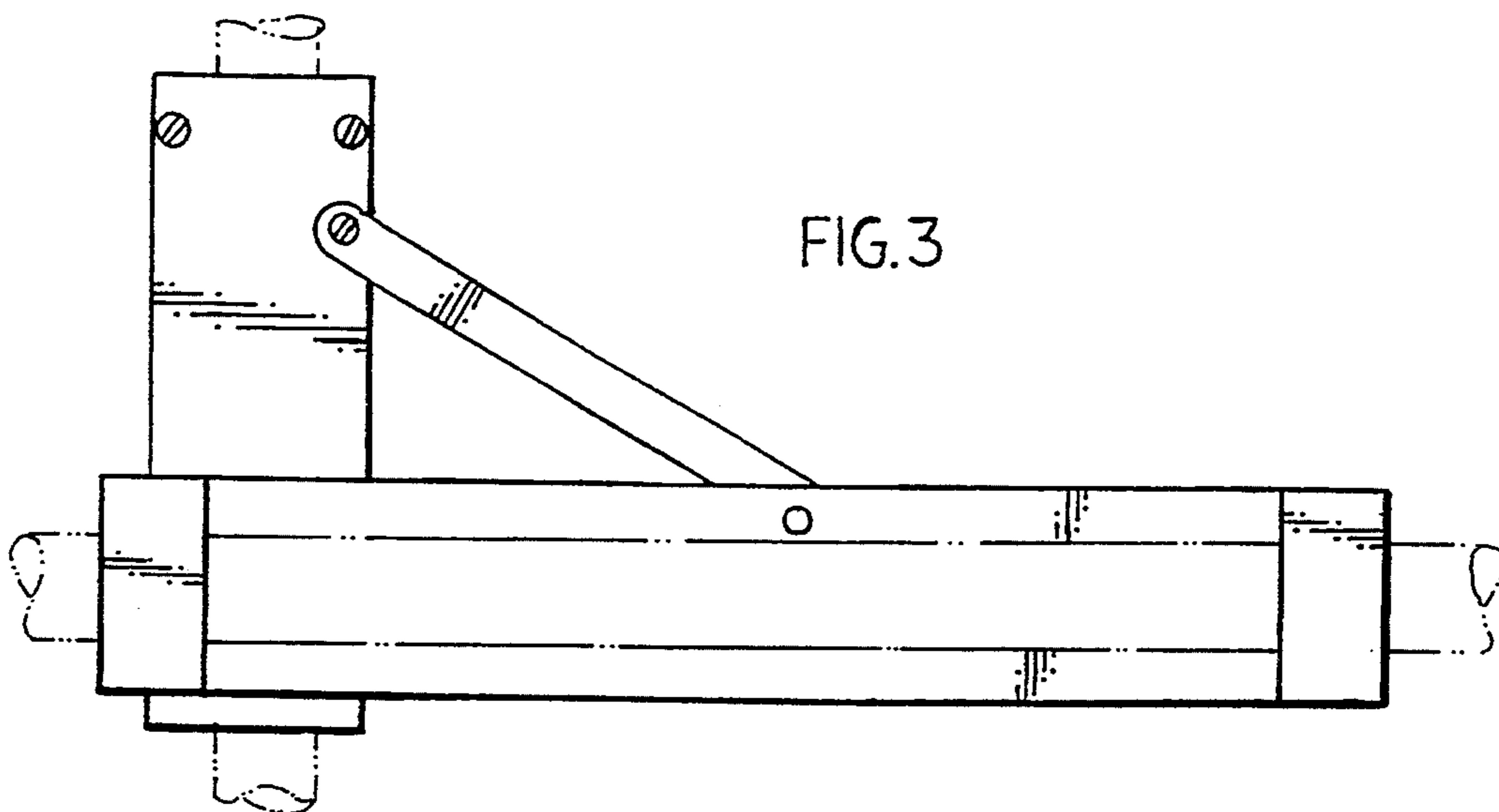
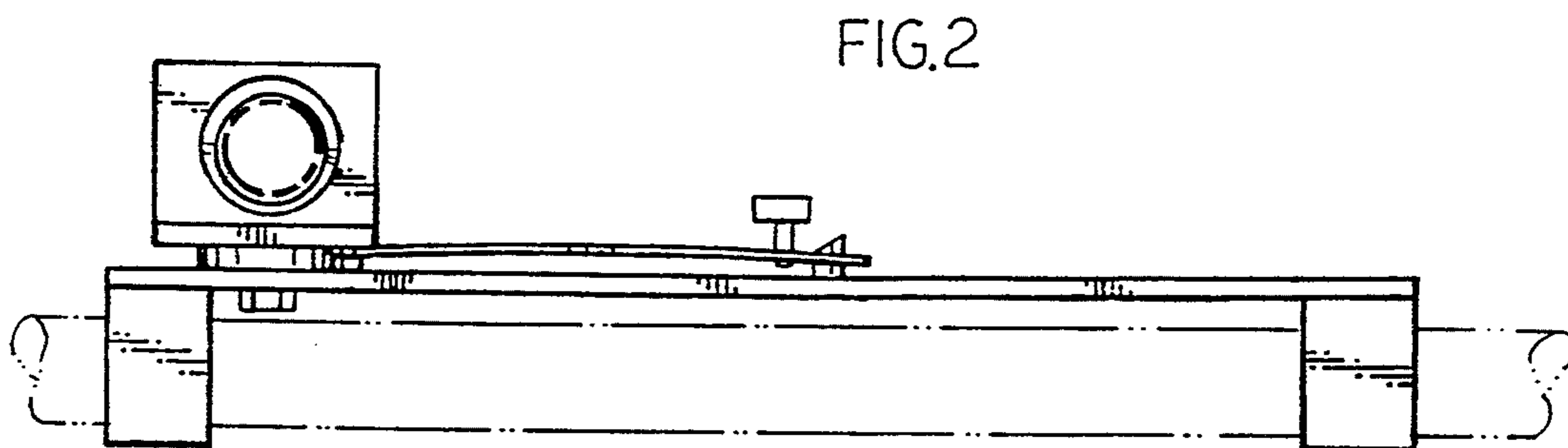
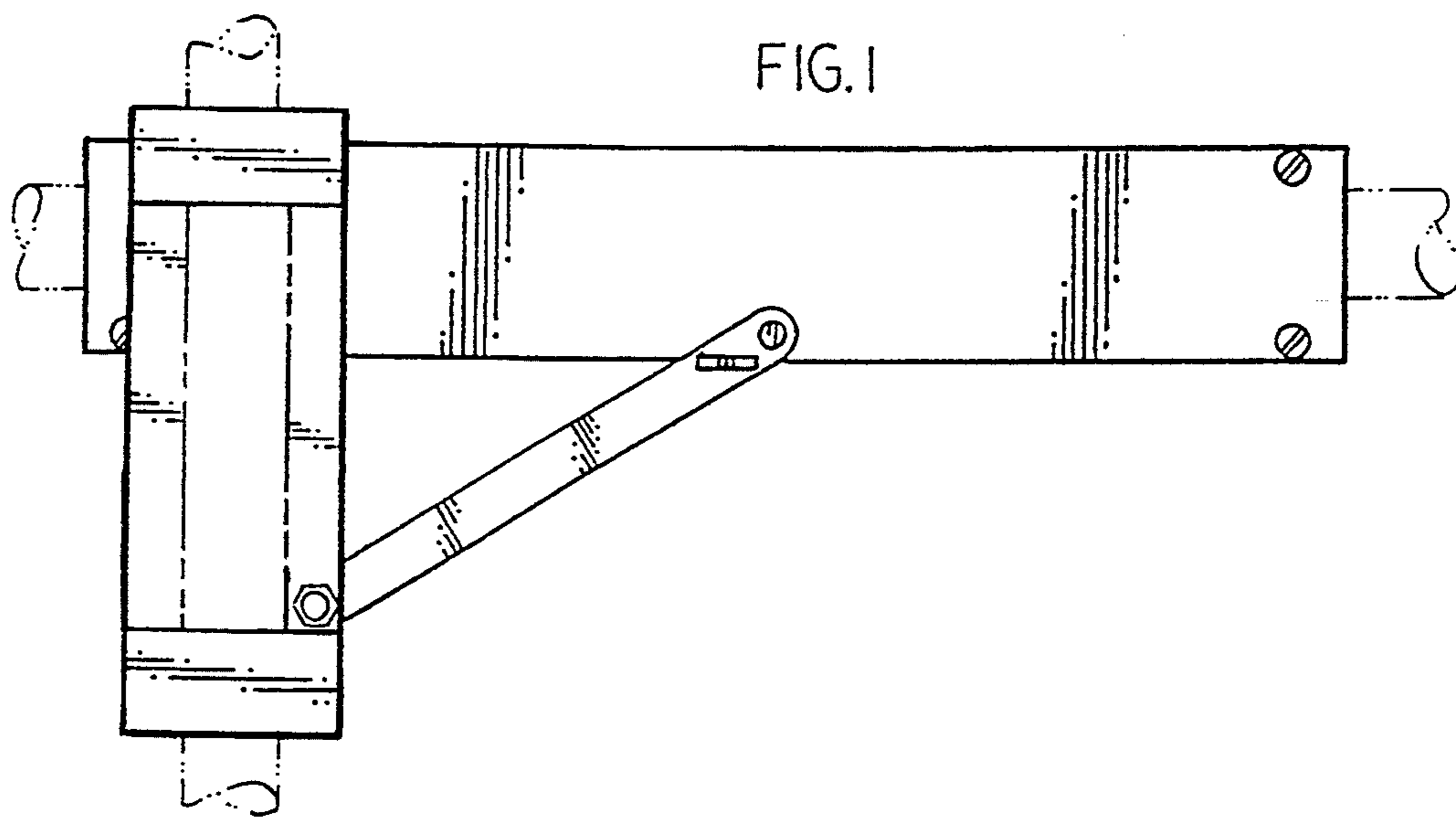


FIG. 4

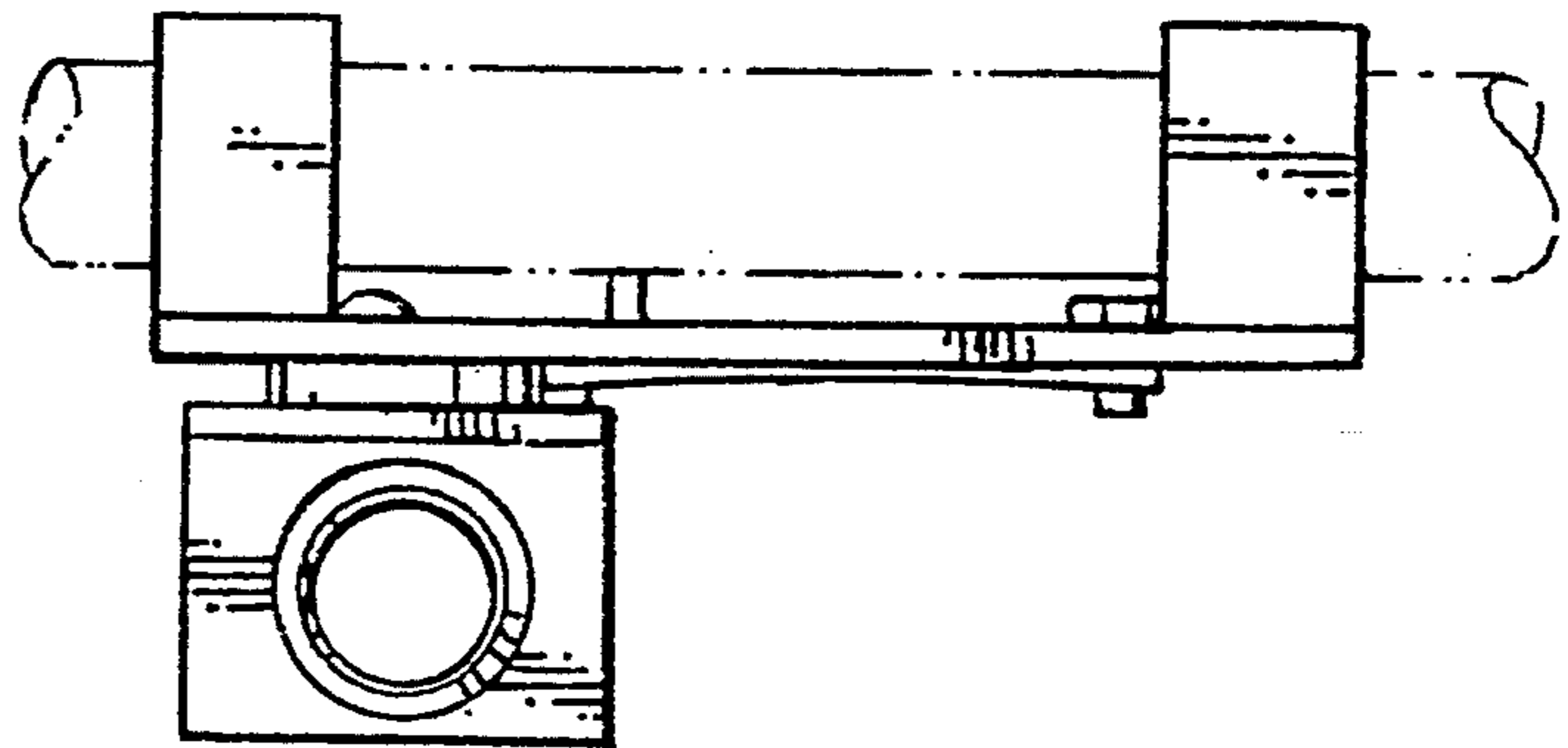


FIG. 5

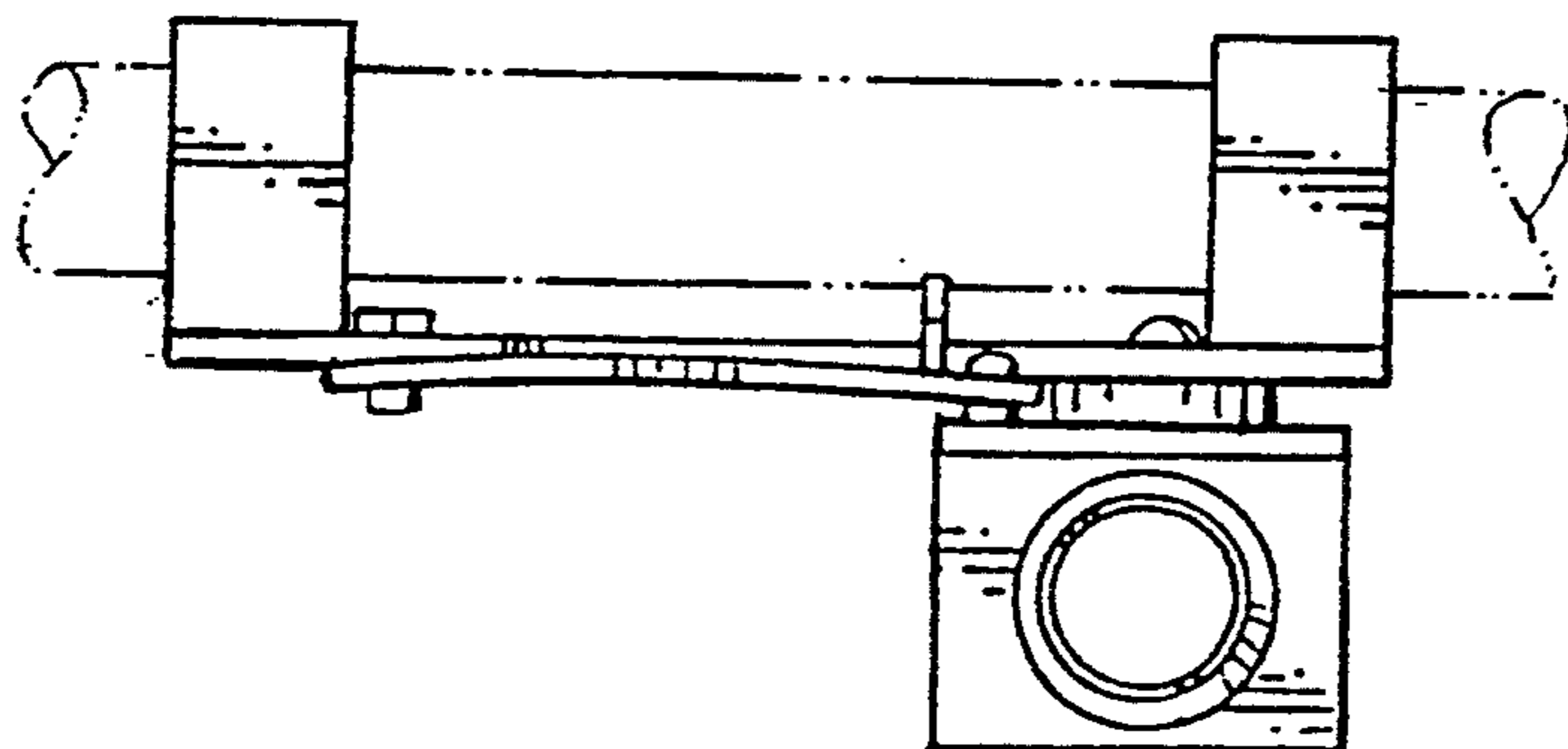


FIG. 6

