



US00D356056S

United States Patent [19]

[11] Patent Number: **Des. 356,056**

Wardavoit

[45] Date of Patent: **** Mar. 7, 1995**

[54] AMPHIBIOUS VEHICLE

[56] References Cited

[75] Inventor: **François Wardavoit**, Cellettes, France

U.S. PATENT DOCUMENTS

D. 200,101	1/1965	Smeaton	D12/3
D. 220,874	6/1971	Rogers et al.	D12/3
D. 298,523	11/1988	Cramer	D12/92
D. 305,414	1/1990	Costello	D12/3

[73] Assignee: **Hobbycar**, Thenay, France

Primary Examiner—Wallace R. Burke
Assistant Examiner—Melody N. Brown
Attorney, Agent, or Firm—Young & Thompson

[**] Term: **14 Years**

[57] CLAIM

[21] Appl. No.: **12,150**

The ornamental design for an amphibious vehicle, as shown and described.

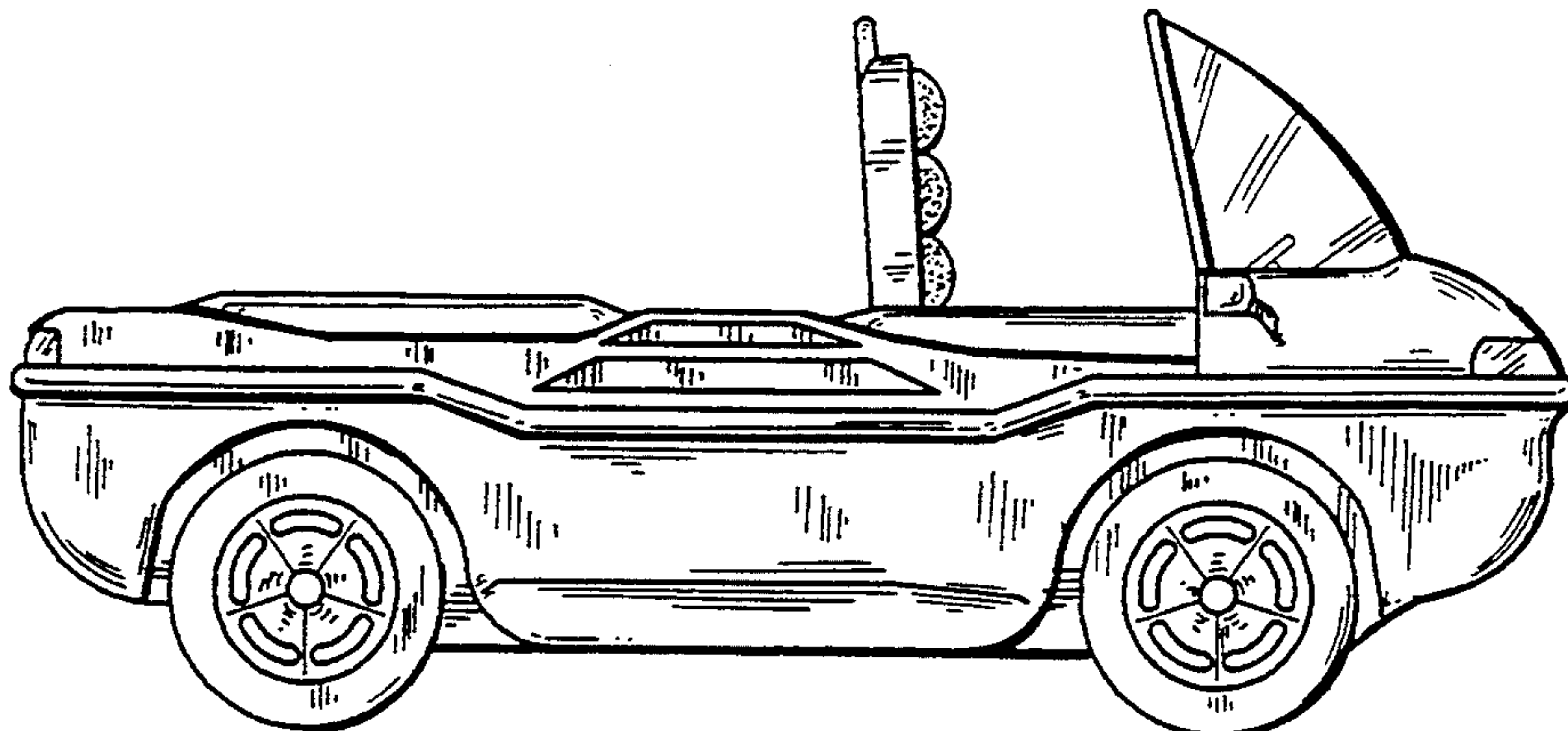
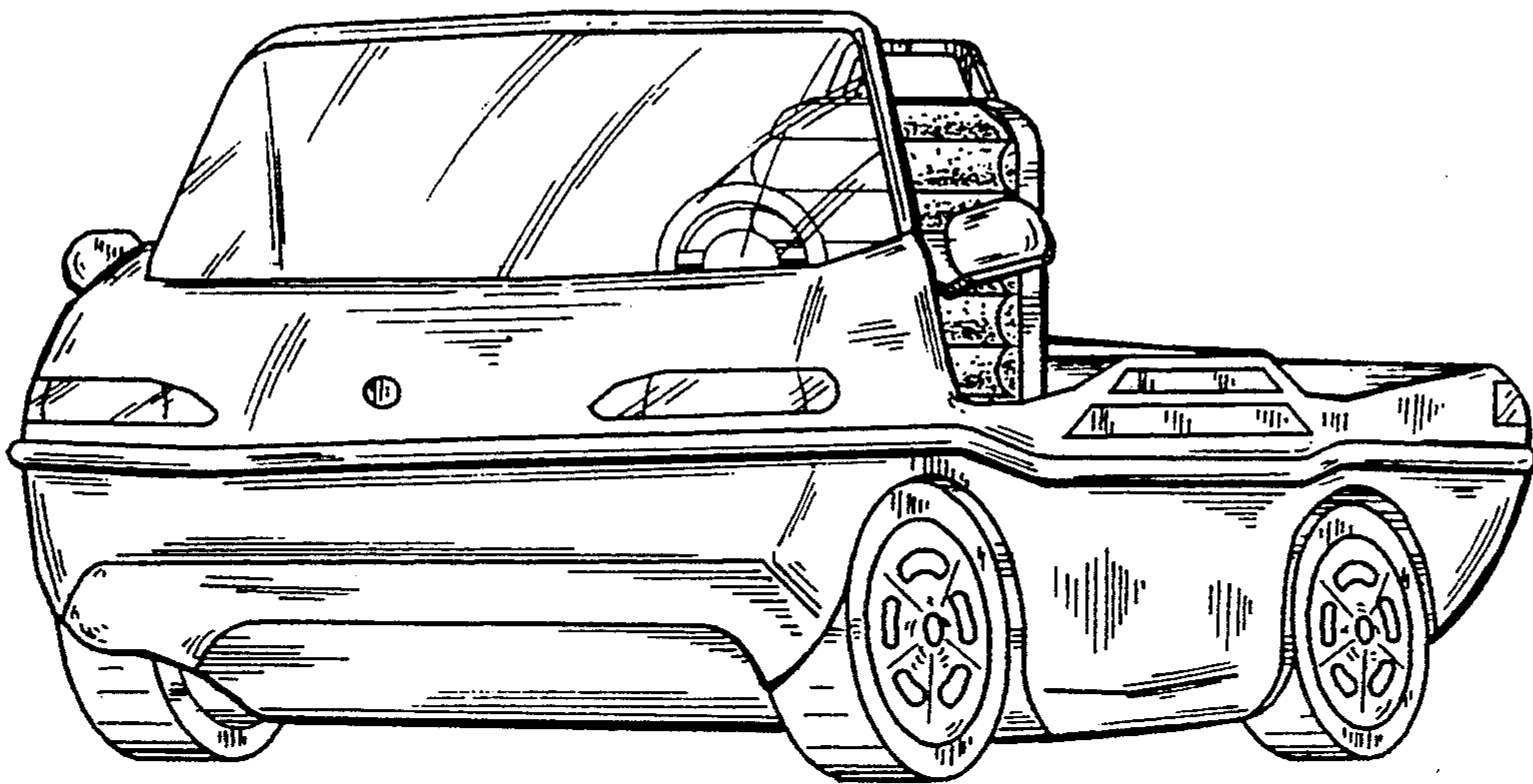
[22] Filed: **Aug. 24, 1993**

DESCRIPTION

[30] Foreign Application Priority Data

Feb. 25, 1993 [XH] Hague Agreement DM/025322
 [52] U.S. Cl. **D12/3**
 [58] Field of Search D12/3, 85, 91, 92;
 180/89.1; 296/185

FIG. 1 is a front and side perspective view of an amphibious vehicle showing my new design; FIG. 2 is a front elevational view thereof; FIG. 3 is a rear elevational view thereof; FIG. 4 is a side elevational view thereof from the left of FIG. 2, the opposite side elevational view being the mirror image thereof; and, FIG. 5 is a top plan view thereof.



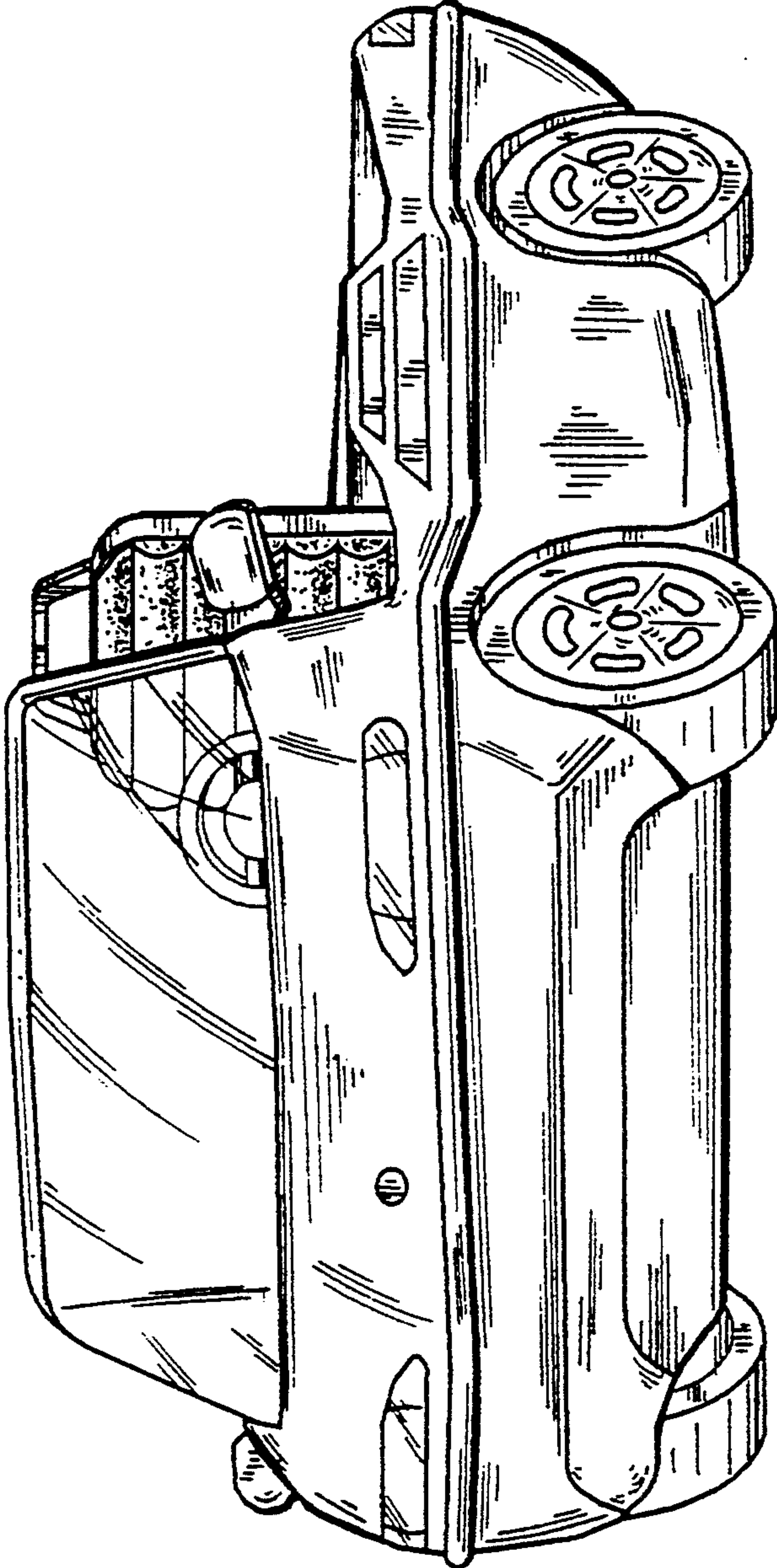


FIG. 1

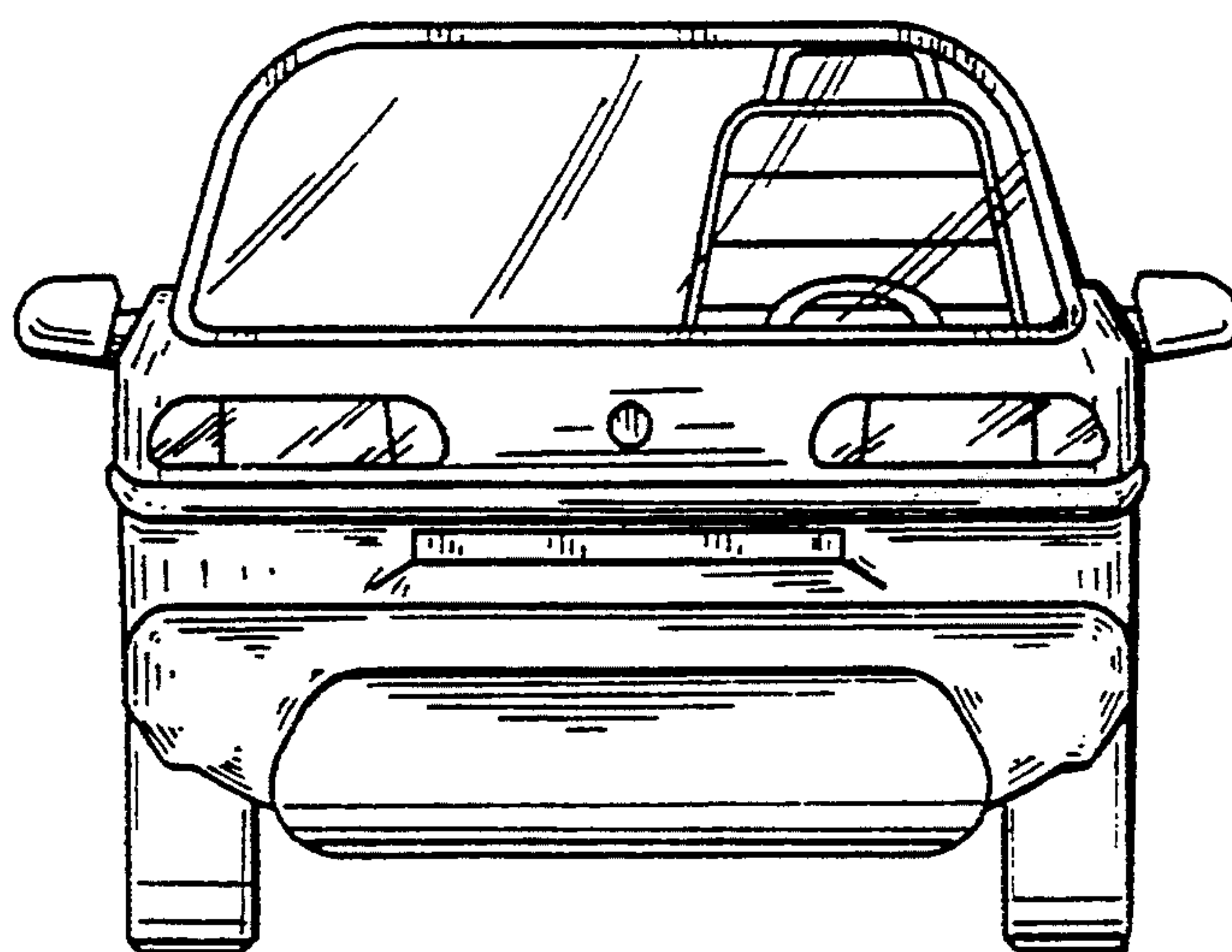


FIG. 2

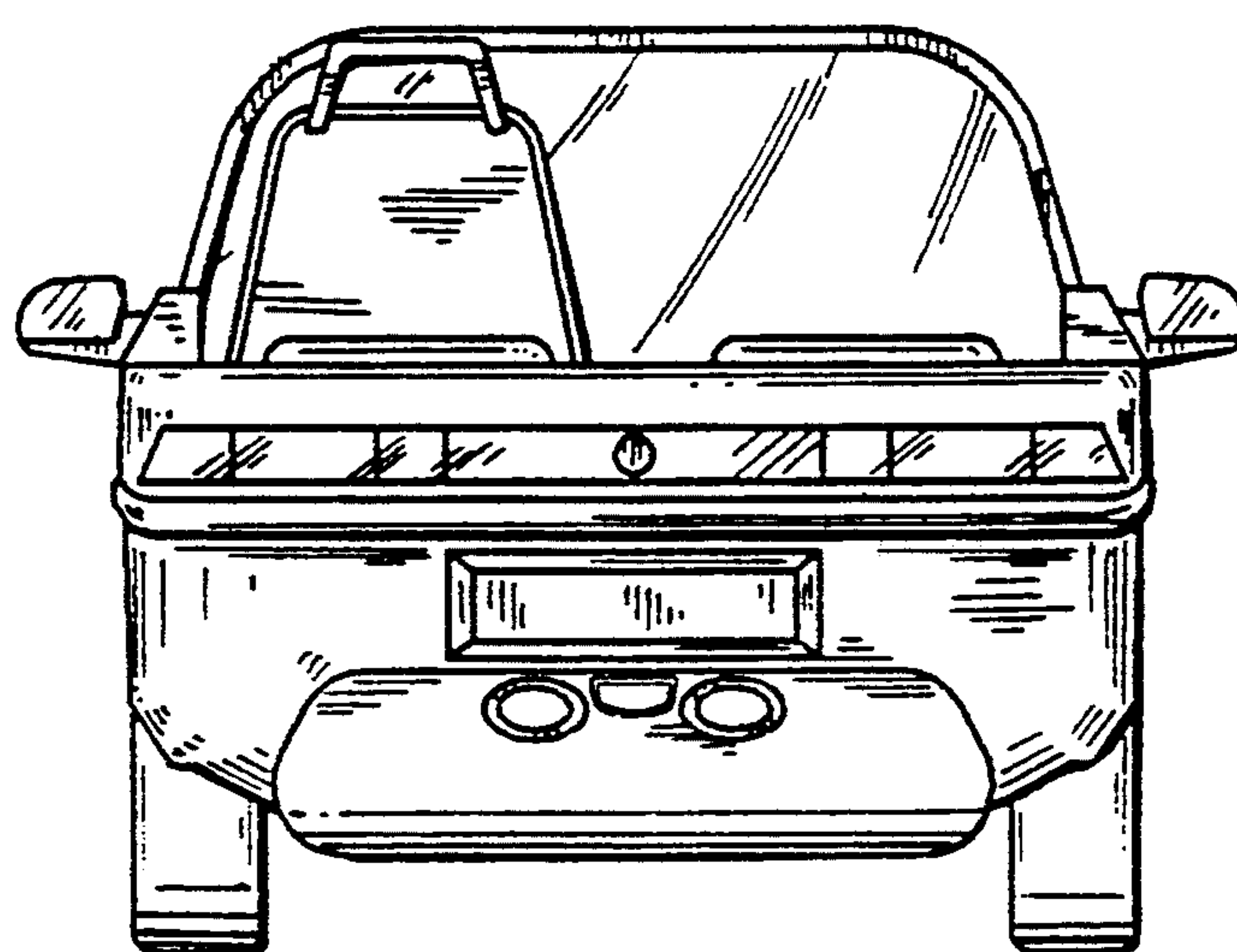


FIG. 3

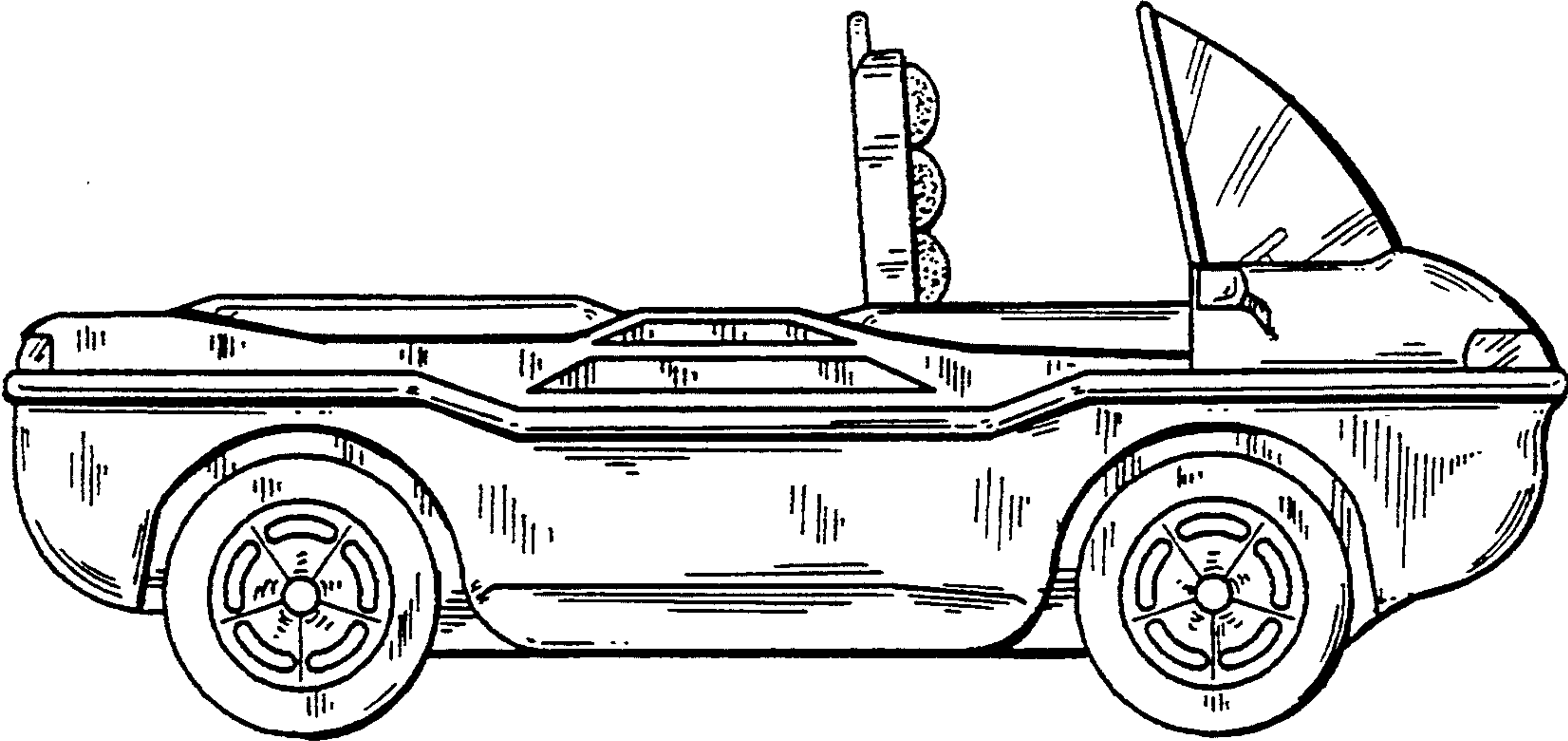


FIG. 4

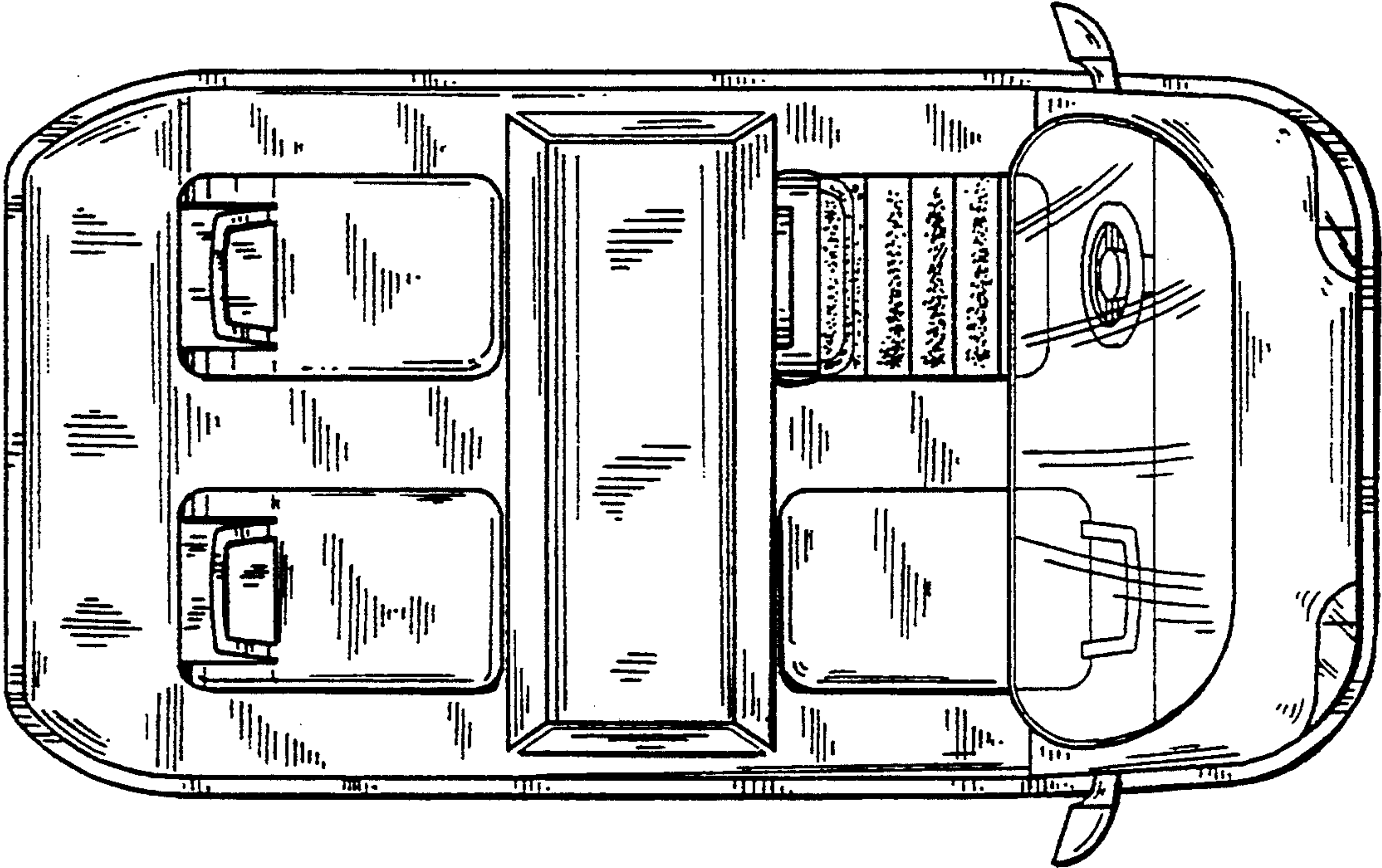


FIG. 5