



US00D356051S

United States Patent [19]

[11] Patent Number: **Des. 356,051**

Akdemir

[45] Date of Patent: **** Mar. 7, 1995**

[54] CHAIN

[76] Inventor: **Aday Akdemir**, 200 Winston Dr.,
Cliffside Park, N.J. 07010

[**] Term: **14 Years**

[21] Appl. No.: **7,482**

[22] Filed: **Apr. 23, 1993**

[52] U.S. Cl. **D11/12; D11/3**

[58] Field of Search **D11/1-25,**
D11/93-94; 59/78, 80-82, 84-94; 63/1.1, 3, 4,
5.1, 5.2, 6, 7-11; D10/30-39; 224/171, 173, 175,
178; D30/152

[56] References Cited

U.S. PATENT DOCUMENTS

| | | | |
|------------|---------|------------------|---------|
| D. 248,379 | 7/1978 | Durante | D11/3 |
| D. 323,791 | 2/1992 | Disegna | D11/12 |
| 3,871,336 | 3/1975 | Bergman | D30/152 |
| 4,173,201 | 11/1979 | Chao et al. | D30/152 |

Primary Examiner—Ralf T. Seifert

Attorney, Agent, or Firm—Rosen, Dainow & Jacobs

[57] CLAIM

The ornamental design for a chain, as shown and described.

DESCRIPTION

FIG. 1 is a front perspective view of a chain showing my new design;

FIG. 2 is a front elevation view thereof, the rear elevation view being substantially identical;

FIG. 3 is a sectional view thereof taken along lines 3—3 of FIG. 1;

FIG. 4 is a top plan view thereof;

FIG. 5 is a bottom plan view thereof;

FIG. 6 is a top plan view of a jewelry chain showing a second embodiment of my new design;

FIG. 7 is a front elevation view of FIG. 6, the rear elevation view being substantially identical;

FIG. 8 is a sectional view taken along lines 8—8 of FIG. 6;

FIG. 9 is a top plan view of a jewelry chain showing a third embodiment of my new design;

FIG. 10 is a front elevation view of FIG. 9, the rear elevation view being substantially identical;

FIG. 11 is a sectional view taken along lines 11—11 of FIG. 9;

FIG. 12 is a top plan view of a jewelry chain showing a fourth embodiment of my new design;

FIG. 13 is a front elevation view of FIG. 12, the rear elevation view being substantially identical;

FIG. 14 is a sectional view taken along lines 14—14 of FIG. 12;

FIG. 15 is a top plan view of a jewelry chain showing a fifth embodiment of my new design;

FIG. 16 is a front elevation view of FIG. 15, the rear elevation view being substantially identical; and,

FIG. 17 is a sectional view taken along lines 17—17 of FIG. 15.

Perspective views of the embodiments of FIGS. 6, 9, 12, and 15 are not provided as they are generally the same as shown in FIG. 1 except for the placement of the protruding posts and balls.

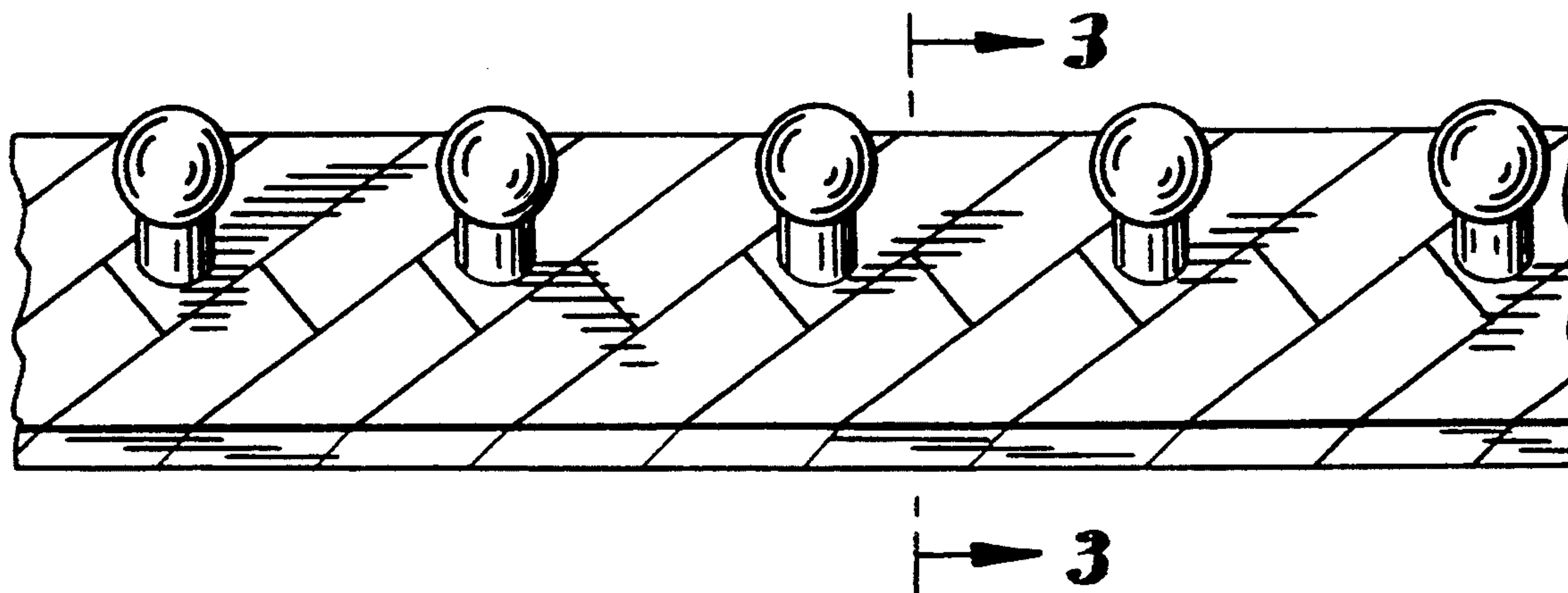


FIG. 1

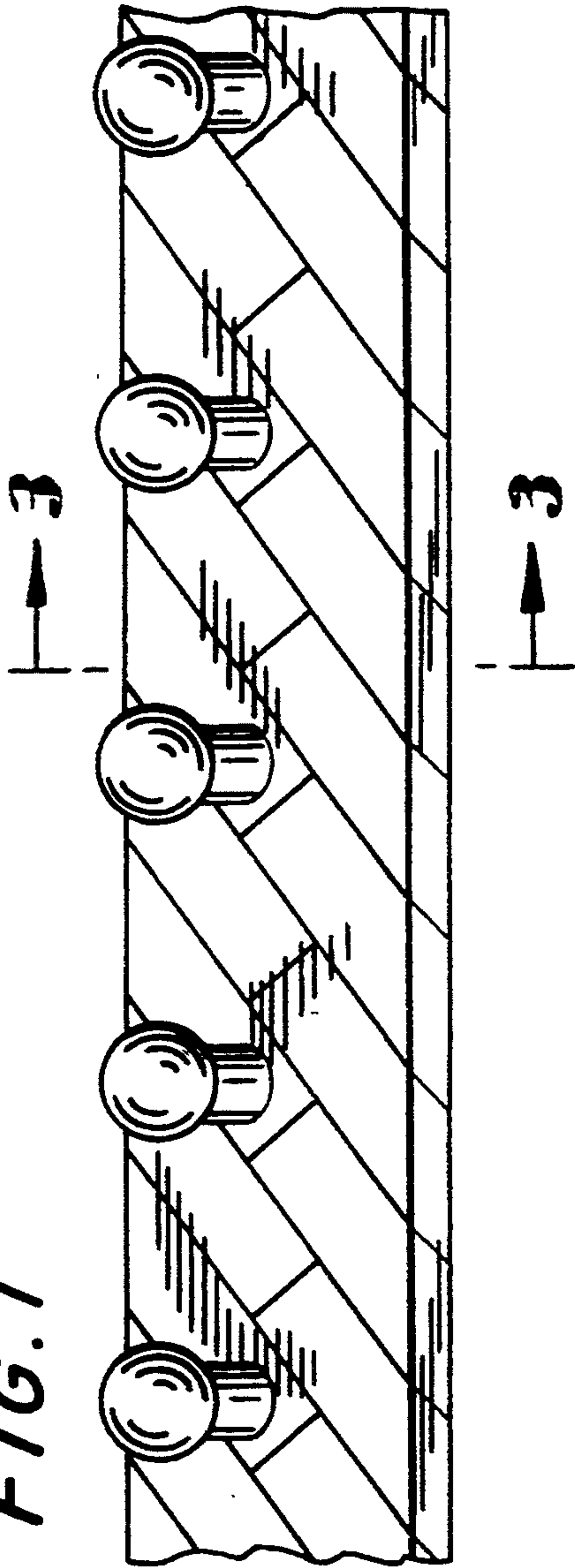


FIG. 2

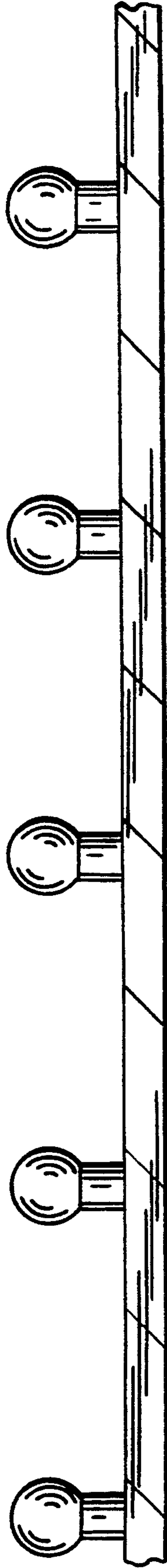


FIG. 3

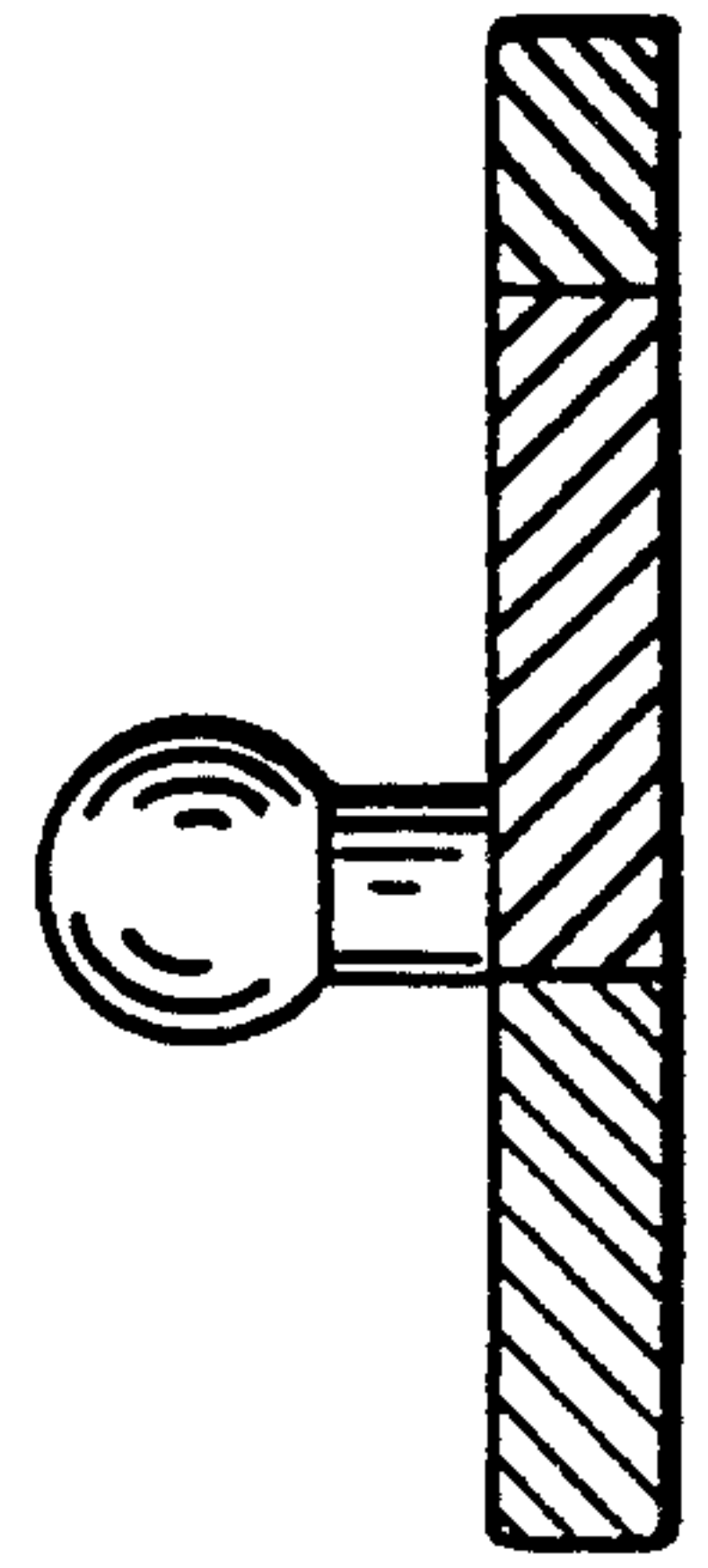


FIG. 4

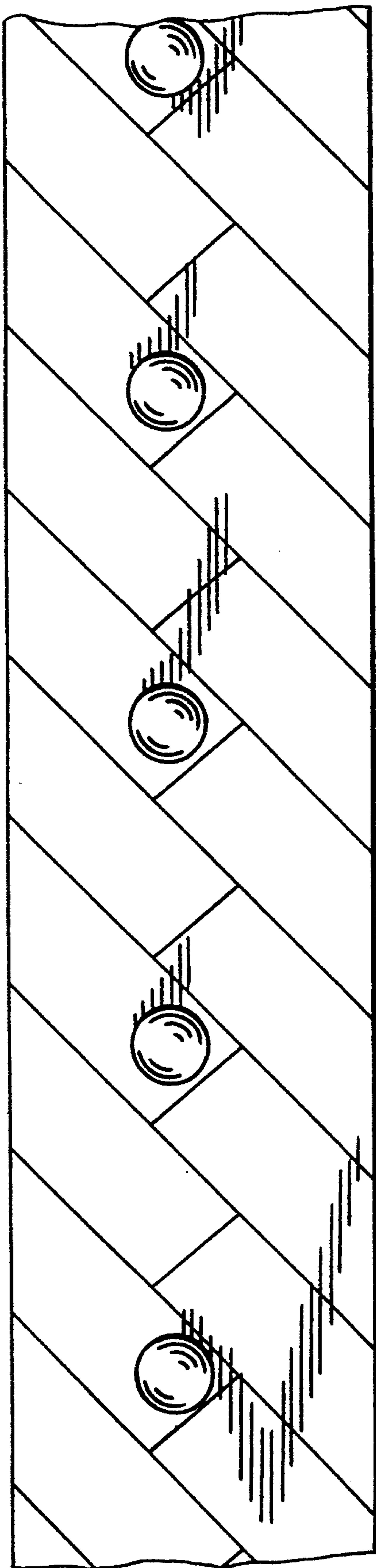


FIG. 5

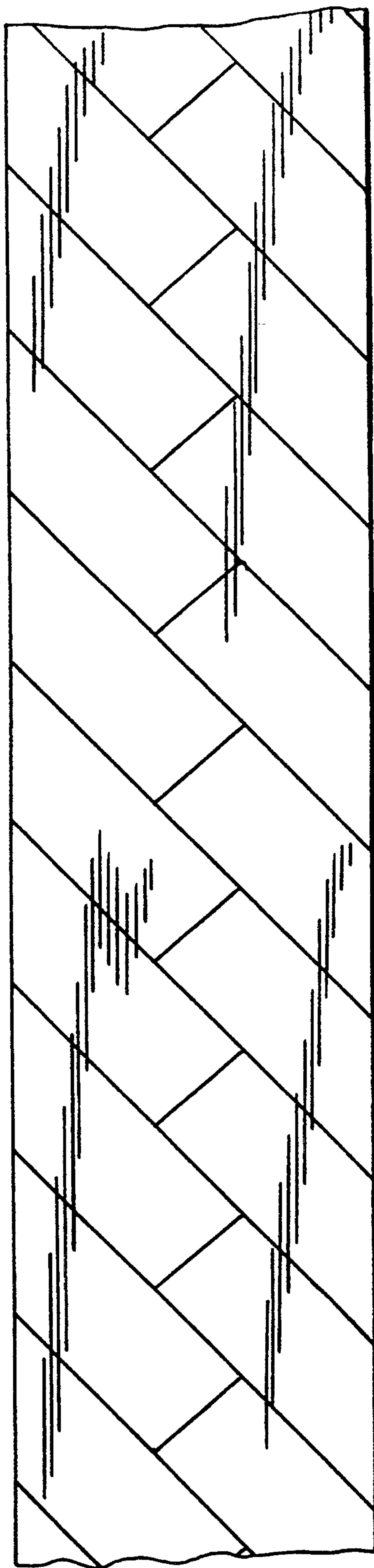


FIG. 6

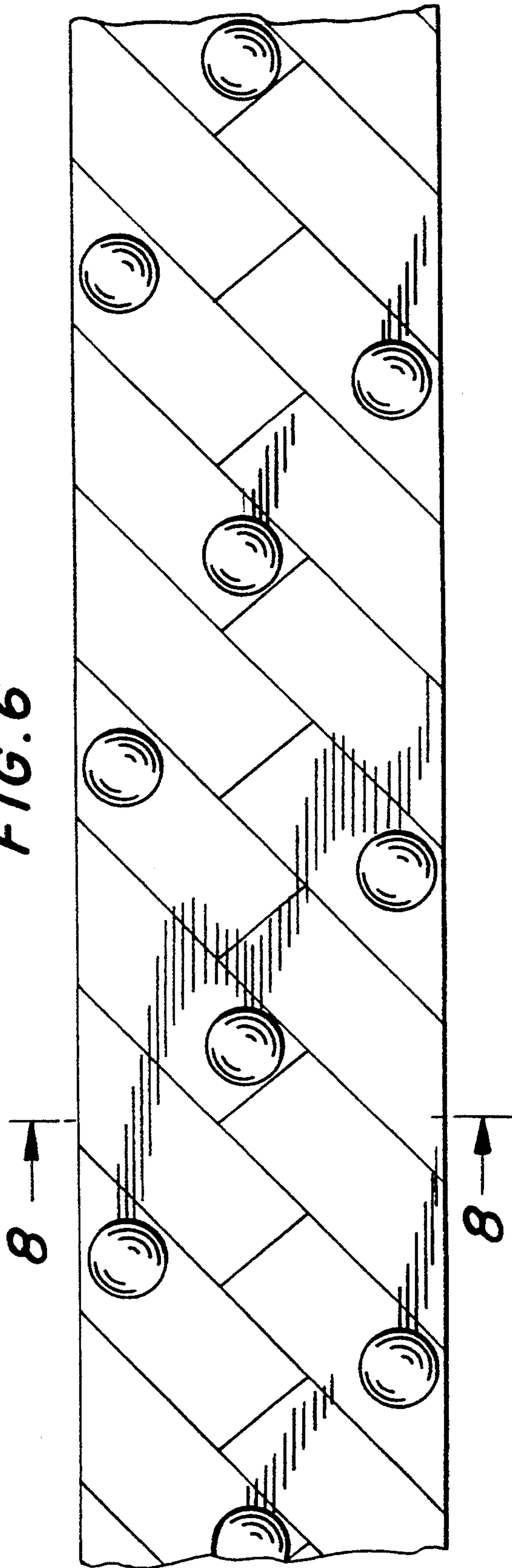
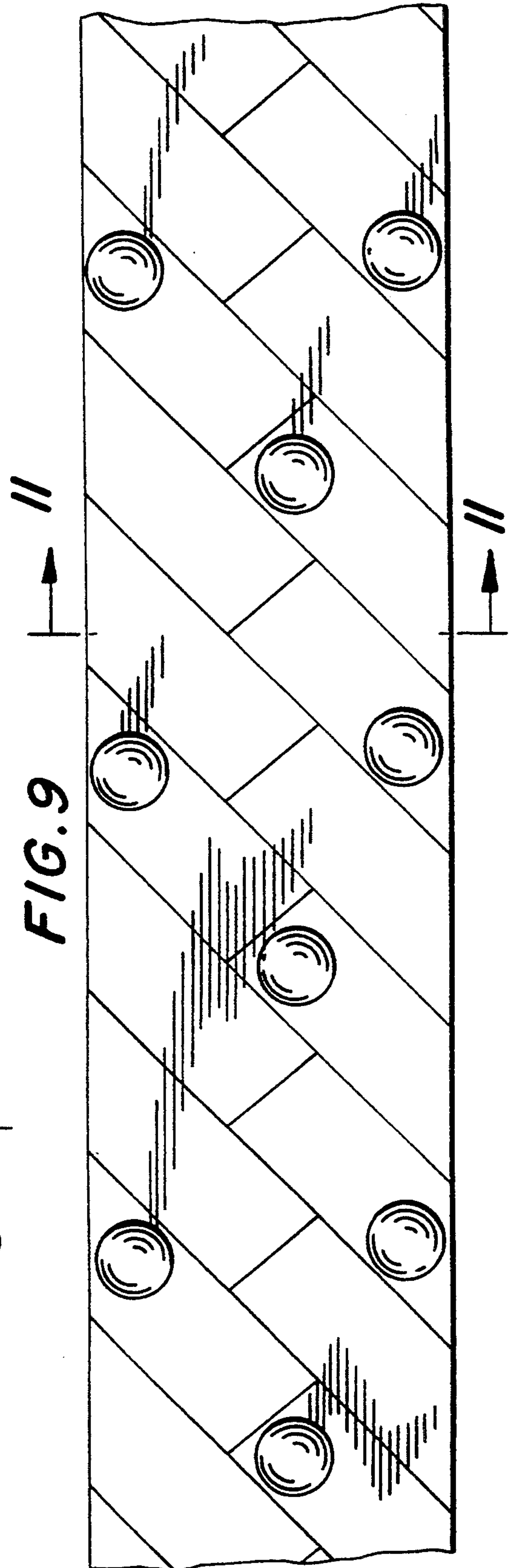


FIG. 9



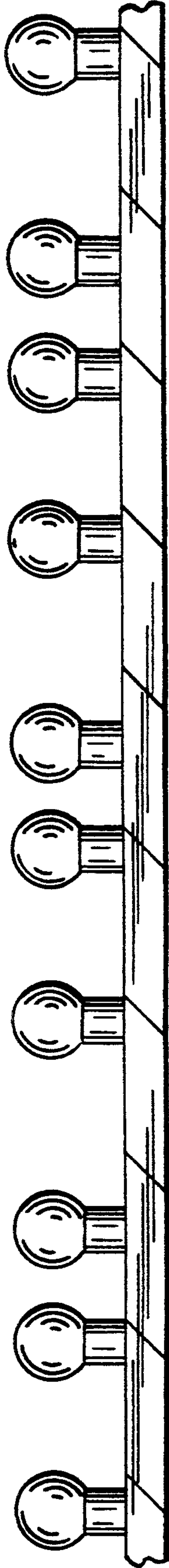


FIG. 7

FIG. 8

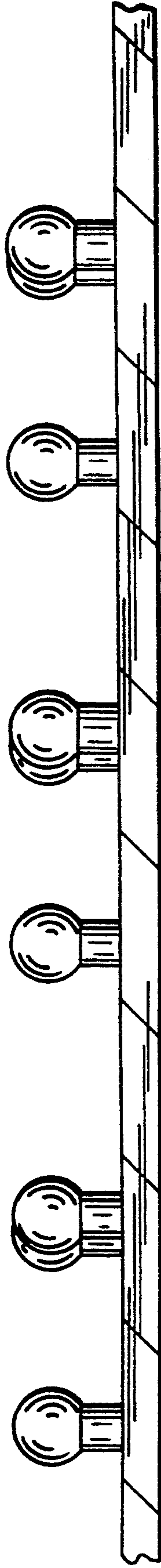
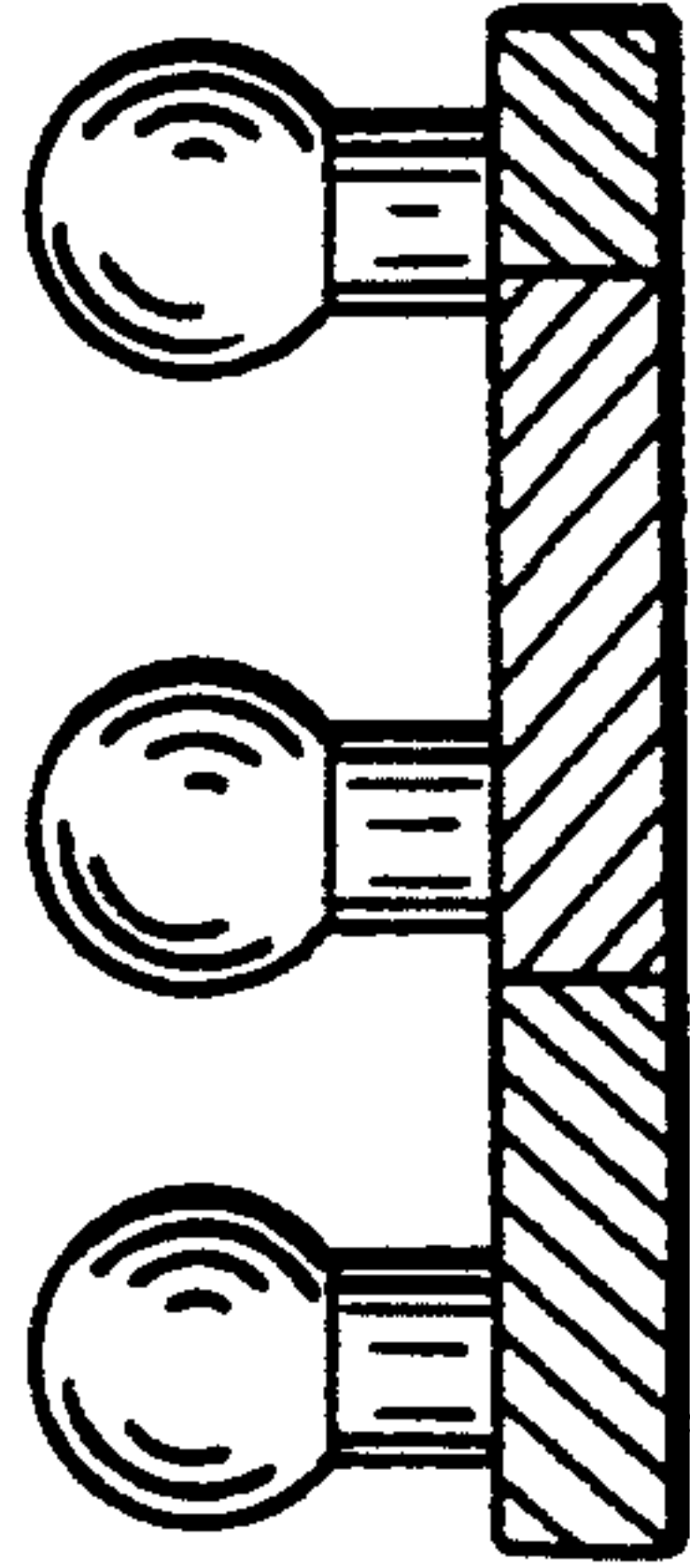


FIG. 10

FIG. 11

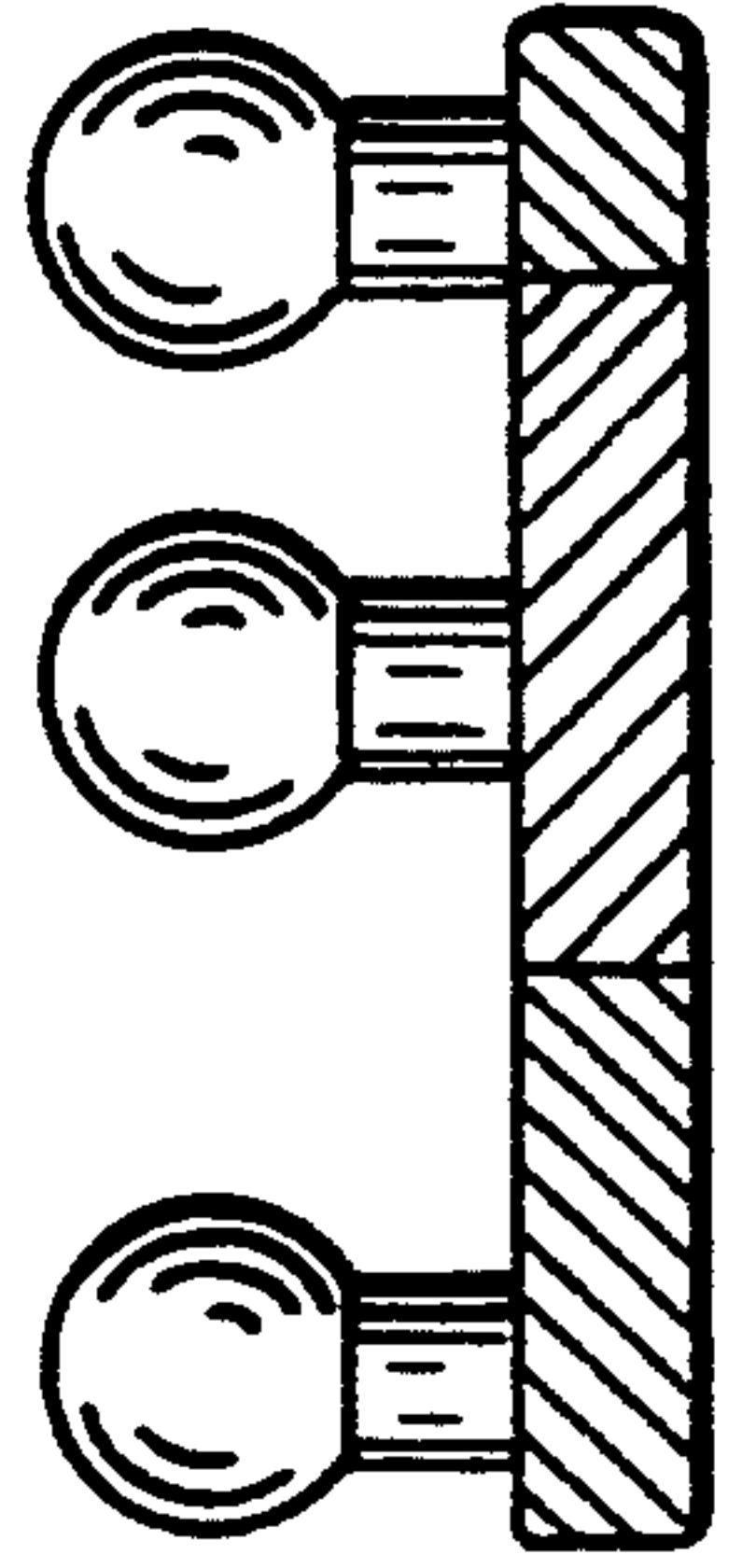


FIG. 12

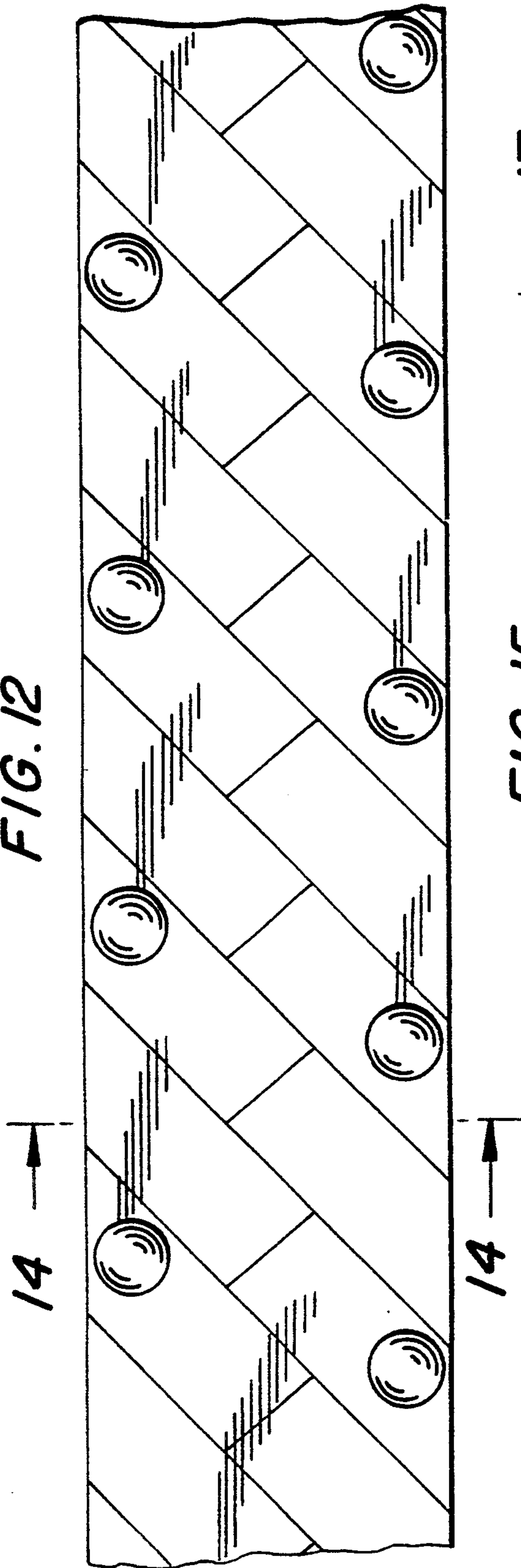
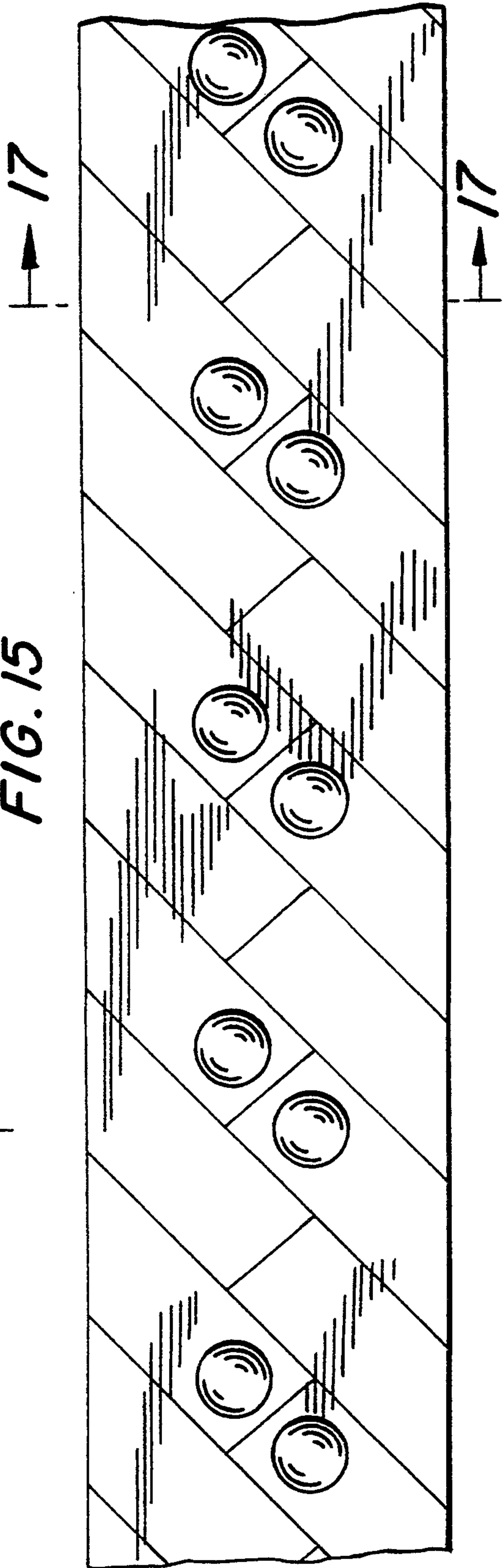


FIG. 15



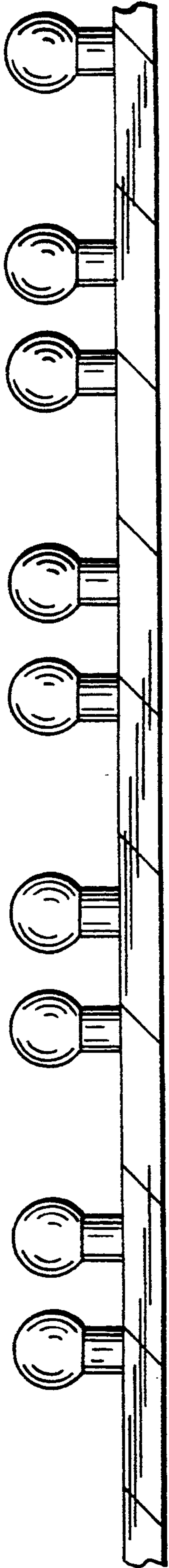


FIG. 13

FIG. 14

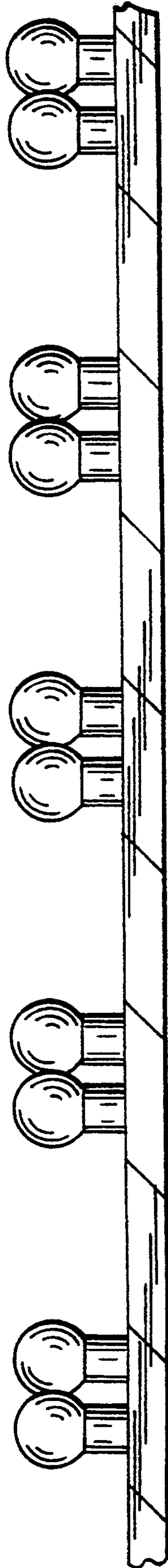
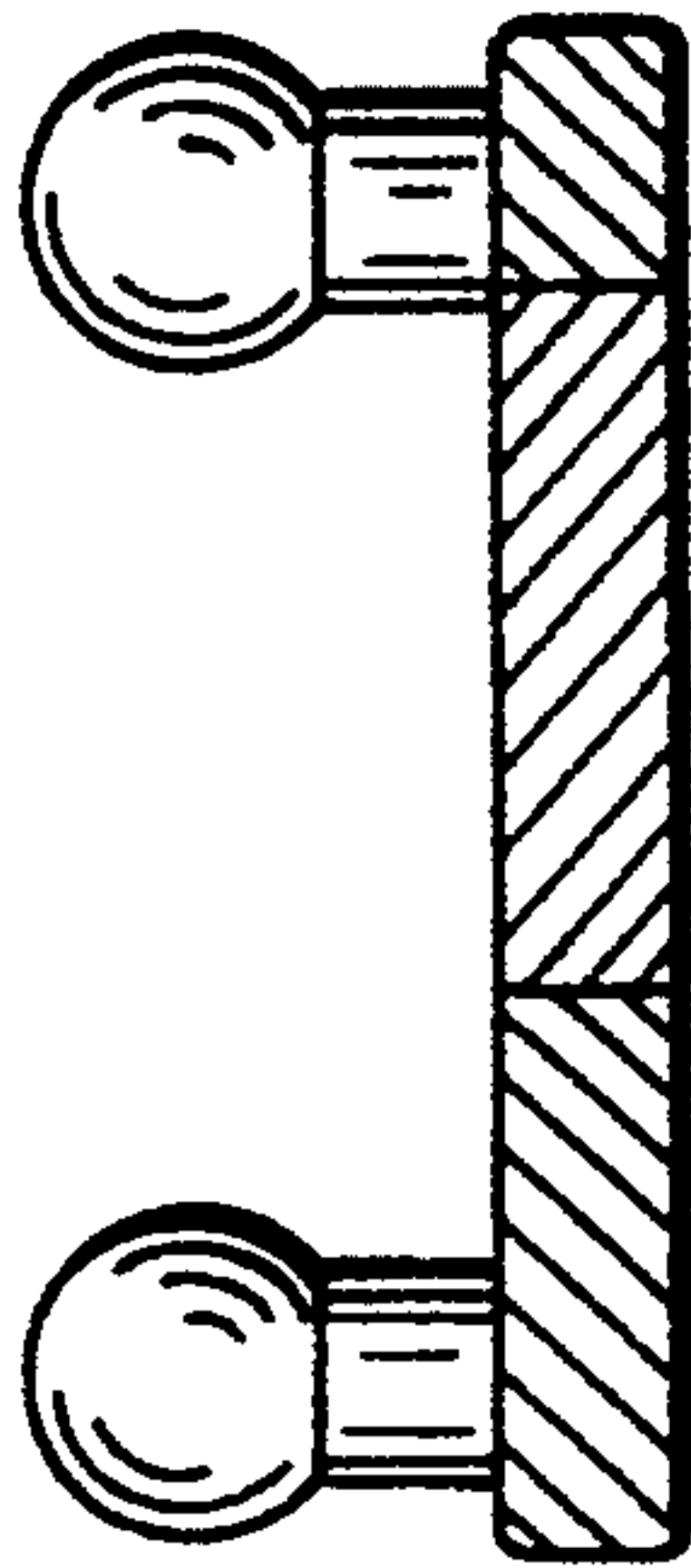


FIG. 16

FIG. 17

