



US00D356050S

# United States Patent [19]

[11] Patent Number: Des. 356,050

Tice et al.

[45] Date of Patent: \*\* Mar. 7, 1995

## [54] HOUSING FOR A SMOKE DETECTOR

[75] Inventors: Lee D. Tice, Bartlett; Eric W. Anderson, St. Charles, both of Ill.

[73] Assignee: Pittway Corporation

[\*\*] Term: 14 Years

[21] Appl. No.: 23,193

[22] Filed: May 18, 1994

### Related U.S. Application Data

- [62] Division of Ser. No. 8,721, May 25, 1993.
- [52] U.S. Cl. .... D10/106
- [58] Field of Search ..... D10/104, 106, 121; 340/571, 572, 573, 577, 578, 628, 629, 630

### [56] References Cited

#### U.S. PATENT DOCUMENTS

D. 249,481	9/1978	Conforti et al. ....	D10/106
D. 249,482	9/1978	Conforti et al. ....	D10/106
D. 249,483	9/1978	Conforti et al. ....	D10/106
D. 258,353	2/1981	Mango et al. ....	D10/106
D. 261,997	11/1981	Westphal ....	D10/106
D. 262,868	2/1982	Westphal ....	D10/106
D. 262,952	2/1982	Hanig ....	D10/106
D. 271,287	11/1983	Fenne ....	D10/106
D. 276,471	11/1984	Fenne ....	D10/106
D. 283,407	4/1986	Fenne ....	D10/106
D. 284,748	7/1986	Fenne ....	D10/106
D. 308,835	6/1990	Fenne ....	D10/106
D. 339,078	9/1993	Behlke ....	D10/106
D. 339,756	9/1993	Igarashi et al. ....	D10/106

#### FOREIGN PATENT DOCUMENTS

59980	1/1988	Canada .
70719	6/1992	Canada .
26724/203	10/1964	United Kingdom .

## OTHER PUBLICATIONS

- Nittan Model 2KH advertisement, believed to have been published in Jun., 1992.
- Tann 5400 Series Smoke Detector, two information sheets, believed to have been published on or about Jun., 1992.
- System Sensor, Model 1800 2—Wire Systems Detectors, 2 pg. brochure, May 1988.
- System Sensor, 400 Serial Next Generation Detectors, 2 pg. brochure, 1991.
- System Sensor, 4451E/5451E2 Plug-In Thermal Detectors; 2 pg. brochure, Jun., 1992.
- System Sensor, 400 Series Ionization Smoke Detectors; 2 pg. brochure, Oct., 1991.
- System Sensor, 2851 Series 2/4/6—Wire Systems Detectors, 2 pg. Brochure, Oct. 1988.
- System Sensor, 5551B Intelligent Fixed Temperature Thermal Sensor With Integral Communications, 2 pg. brochure, 1991.
- System Sensor, 400 Series Plug-In Smoke Detectors, 4 pg. brochure, Jul. 1992.

*Primary Examiner*—Wallace R. Burke  
*Assistant Examiner*—Marcus Jackson  
*Attorney, Agent, or Firm*—Dressler, Goldsmith, Shore & Milnamow, Ltd.

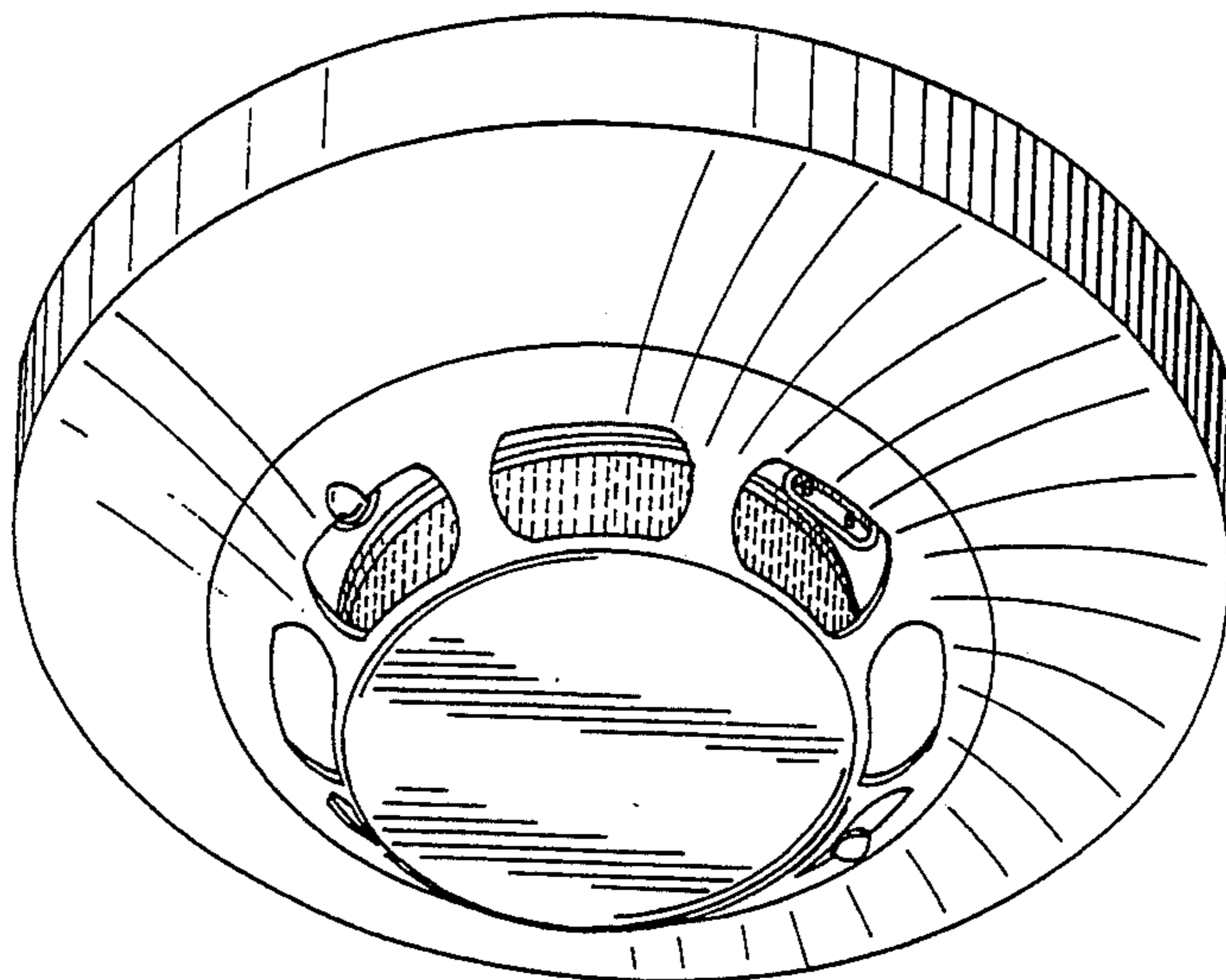
### [57] CLAIM

The ornamental design for a housing for a smoke detector, as shown and described.

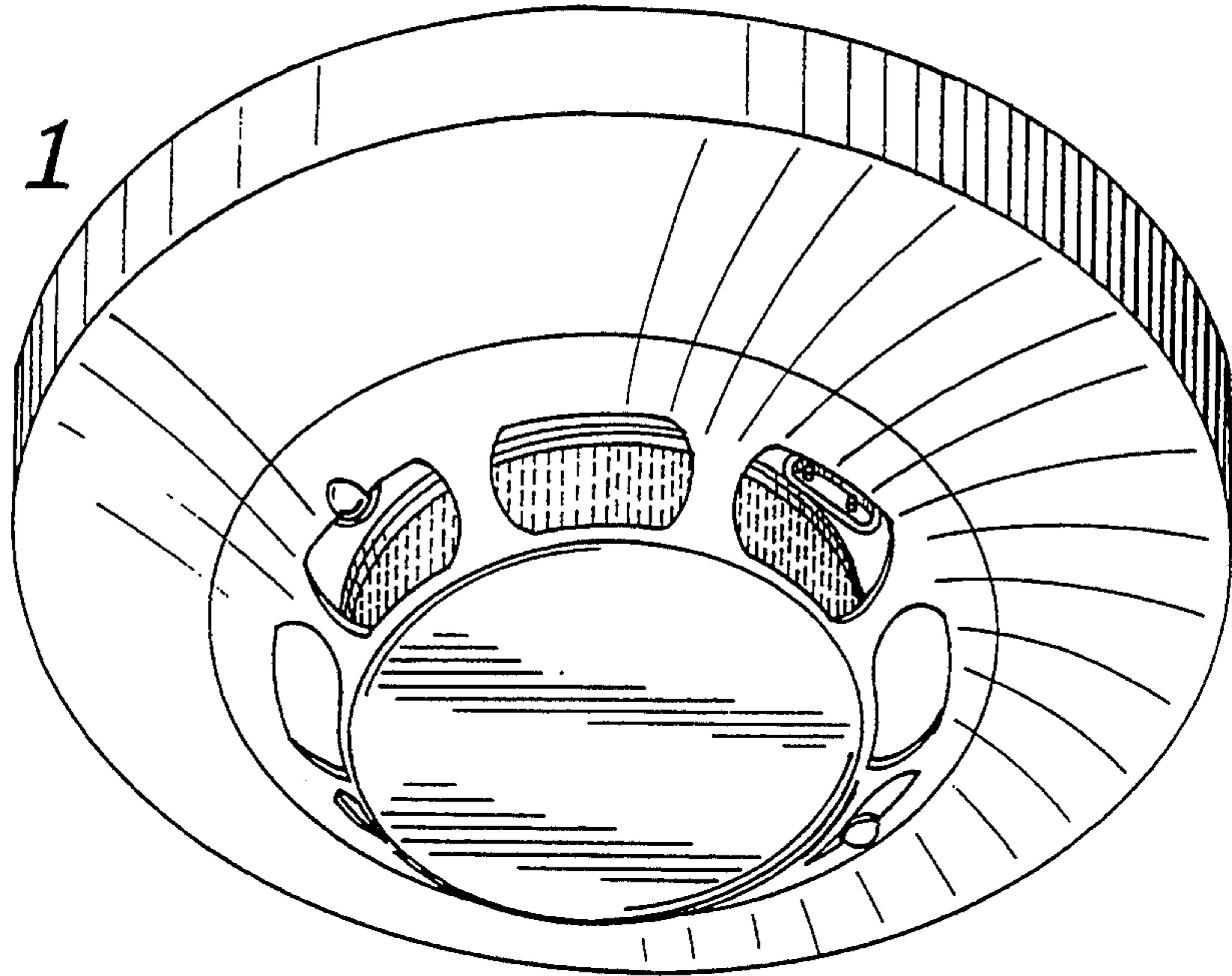
### DESCRIPTION

FIG. 1 is a perspective view of a housing for a smoke detector in accordance with the present invention; FIG. 2 is a left side plan view of the housing for a smoke detector of FIG. 1; and, FIG. 3 is a top plan view of the housing for a smoke detector of FIG. 1.

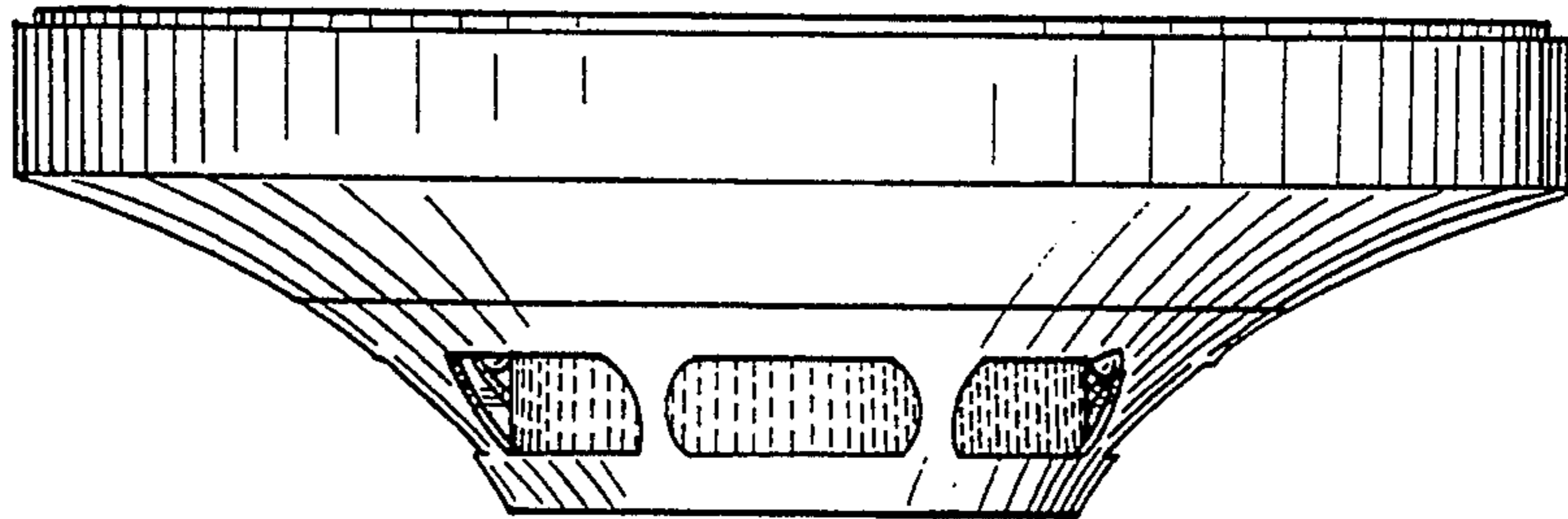
The back of the disclosed detector housing is unadorned and does not form a part of the respective design.



*Fig. 1*



*Fig. 2*



*Fig. 3*

